

# КОЕН

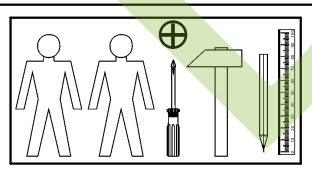
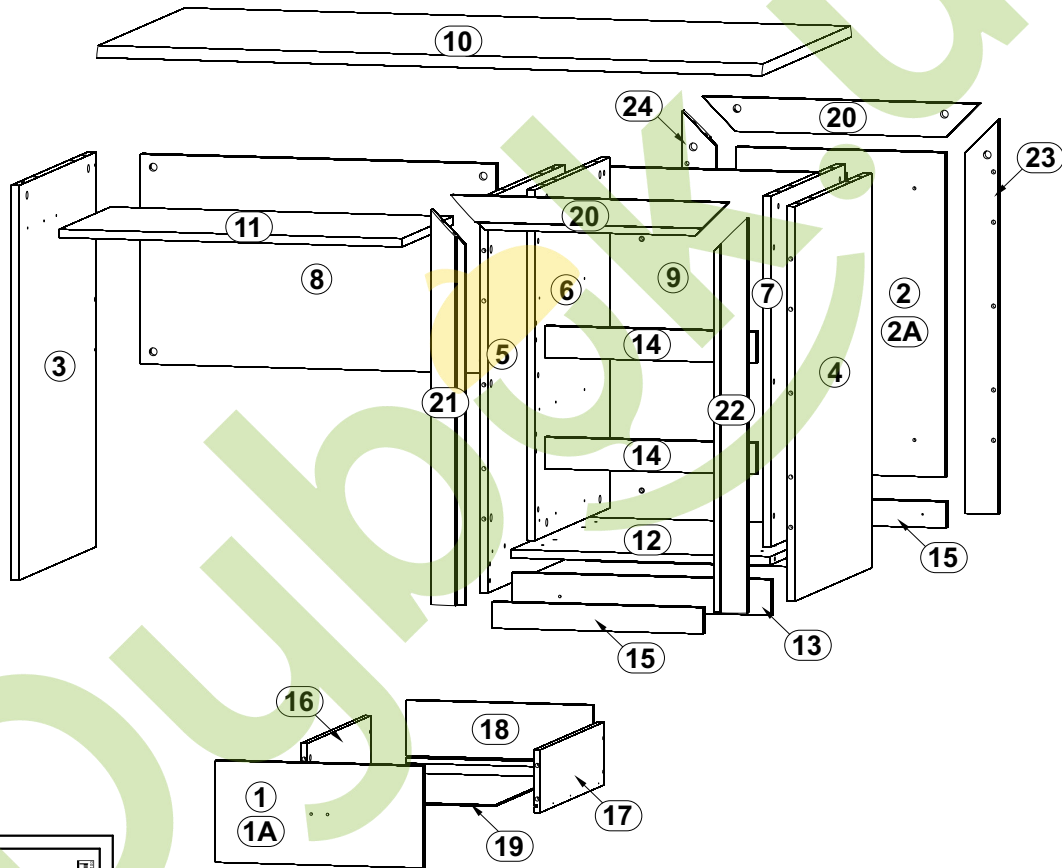
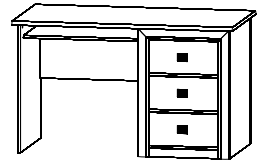
Стіл письмовий / Стол письменный BIU\_130

A	B	C	D
1	S136-038	406	194 4/4
1A	S136-038A	406	194 4/4
2	S136-555	619	409 4/4
2A	S136-555A	619	409 4/4
3	S136-181	753	600 2/4
4	S136-180	753	600 2/4
5	S136-179	753	600 2/4
6	S136-170	669	583 1/4
7	S136-171	669	583 1/4
8	S136-451	695	400 1/4
9	S136-5568	753	507 2/4
10	S136-226	1300	700 1/4
11	S136-342	670	400 1/4

→ Фасад ДСП  
→ Фасад МДФ  
→ Фасад ДСП  
→ Фасад МДФ

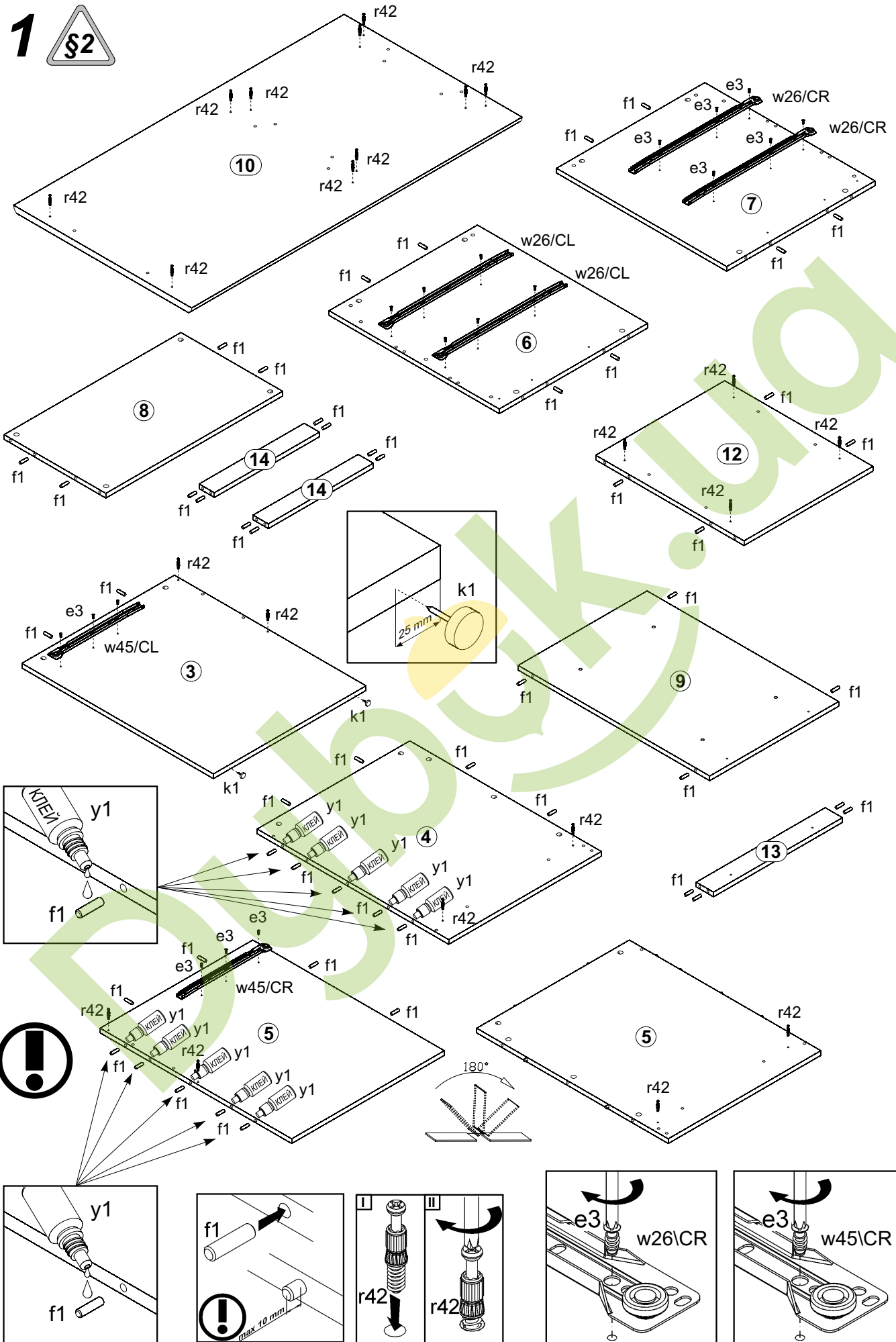


A	B	C	D
12	S136-341	507	583 2/4
13	S136-447	507	68 2/4
14	S136-449	413	60 1/4
15	S136-448	411	50 1/4
16	S136-509	500	120 2/4
17	S136-510	500	120 2/4
18	S136-554	364	120 1/4
19	S136-926	499	375 2/4
20	S136-5570	541	65 3/4
21	S136-550	753	65 3/4
22	S136-551	753	65 3/4
23	S136-556	753	65 3/4
24	S136-557	753	65 3/4

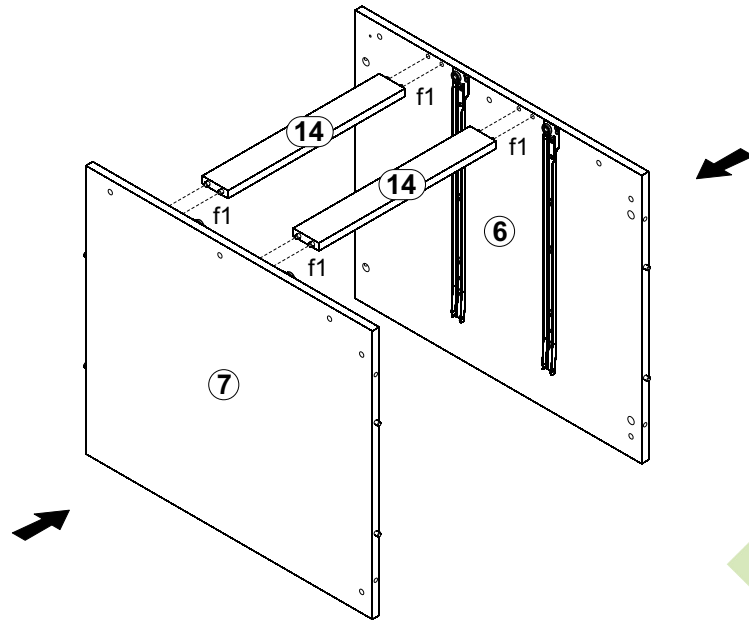


3x  c317	24x  φ6x13 mm e3	4x  φ7x28 mm e22	12x  φ5x50 mm e32	56x  φ8x30 mm f1	6x  M4x22 mm j30	6x  k1	4x  φ3,5x13 mm p27	18x  φ3x12 mm p54
4x  φ4x28 mm p94	36x  φ15x12mm #16 r1	4x  r10	12x  φ12x10,5mm #12 r15	40x  20/11 r42	6x  φ16 s2	3x  500 mm w26 <sup>CL</sup>	3x  500 mm w26 <sup>CR</sup>	3x  500 mm w26 <sup>DL</sup>
3x  500 mm w26 <sup>DR</sup>	1x  350 mm w45 <sup>CL</sup>	1x  350 mm w45 <sup>CR</sup>	1x  350 mm w45 <sup>DL</sup>	1x  350 mm w45 <sup>DR</sup>	1x  Клей y1	1x  z1		

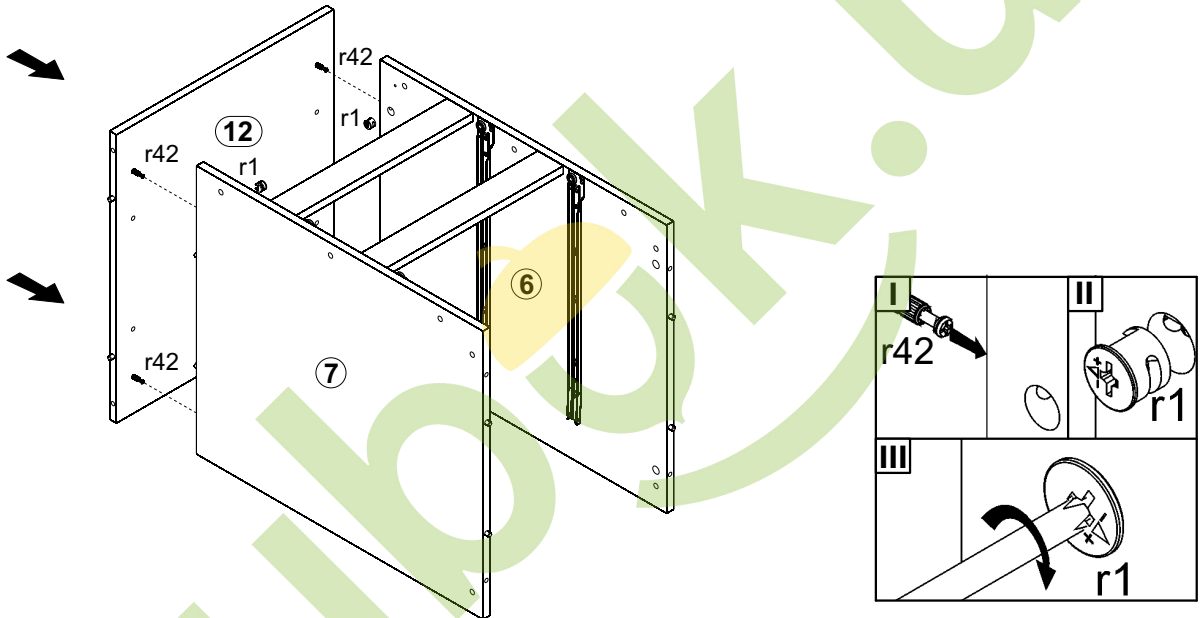
# 1 §2



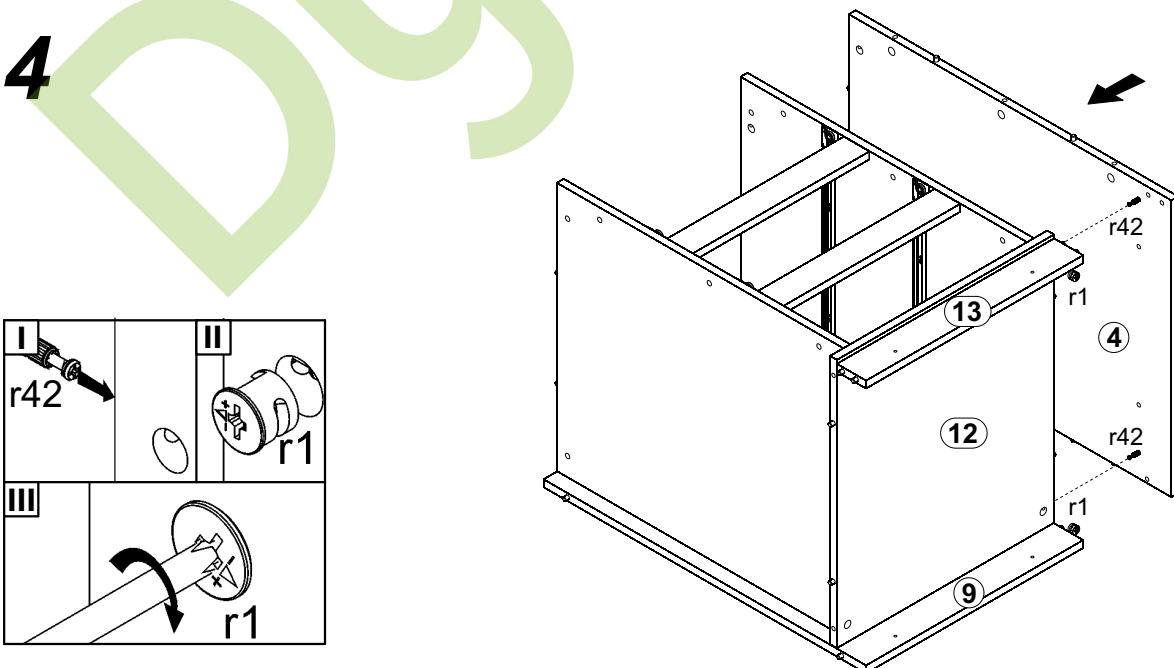
2



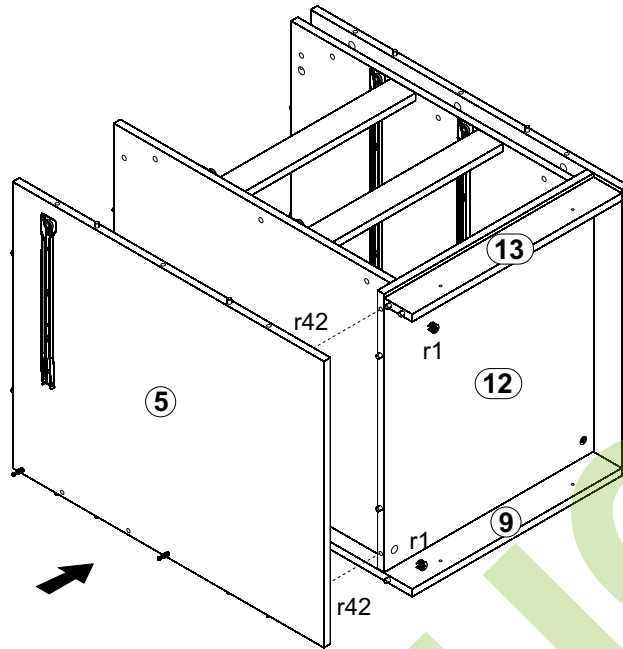
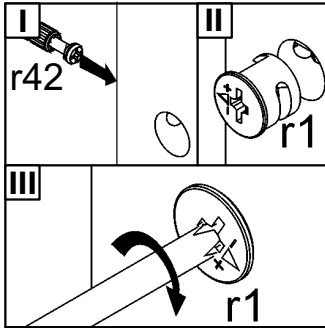
3



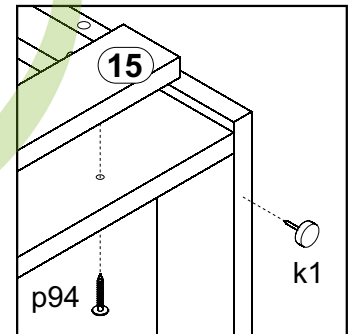
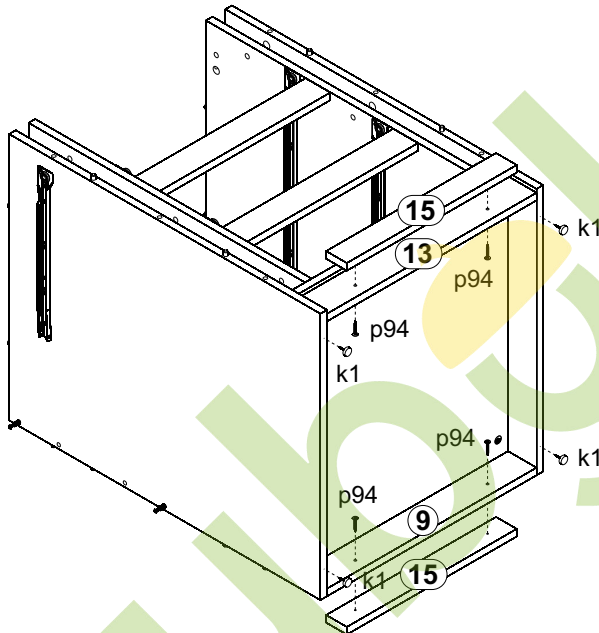
4



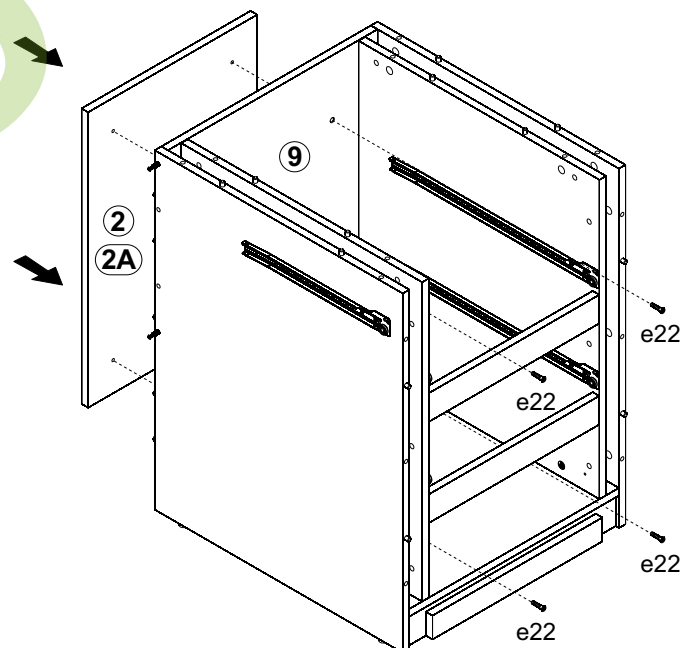
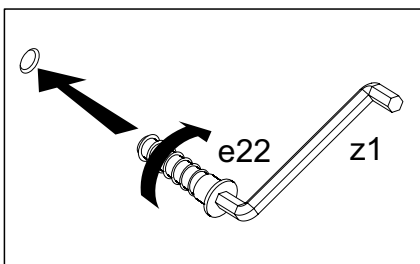
# 5



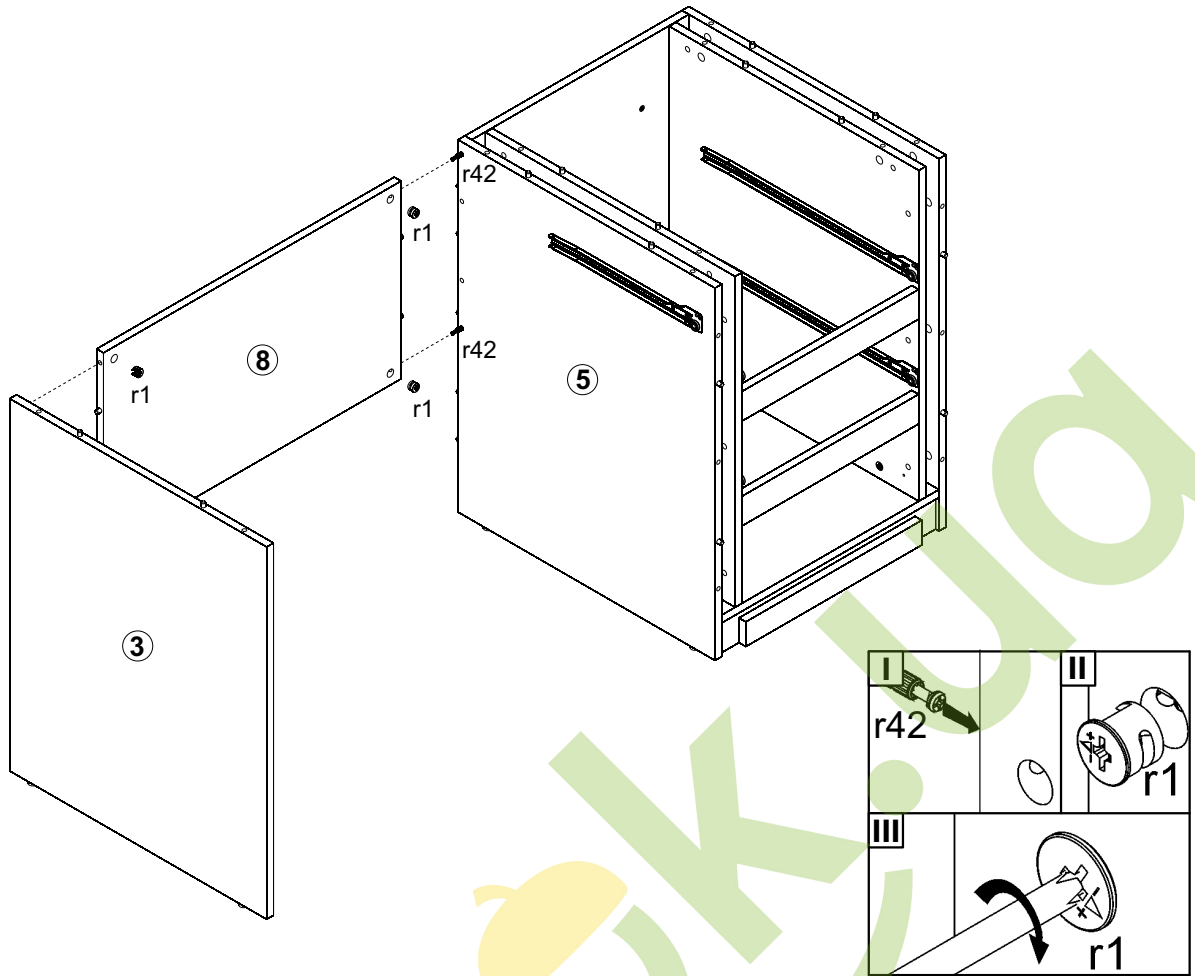
# 6



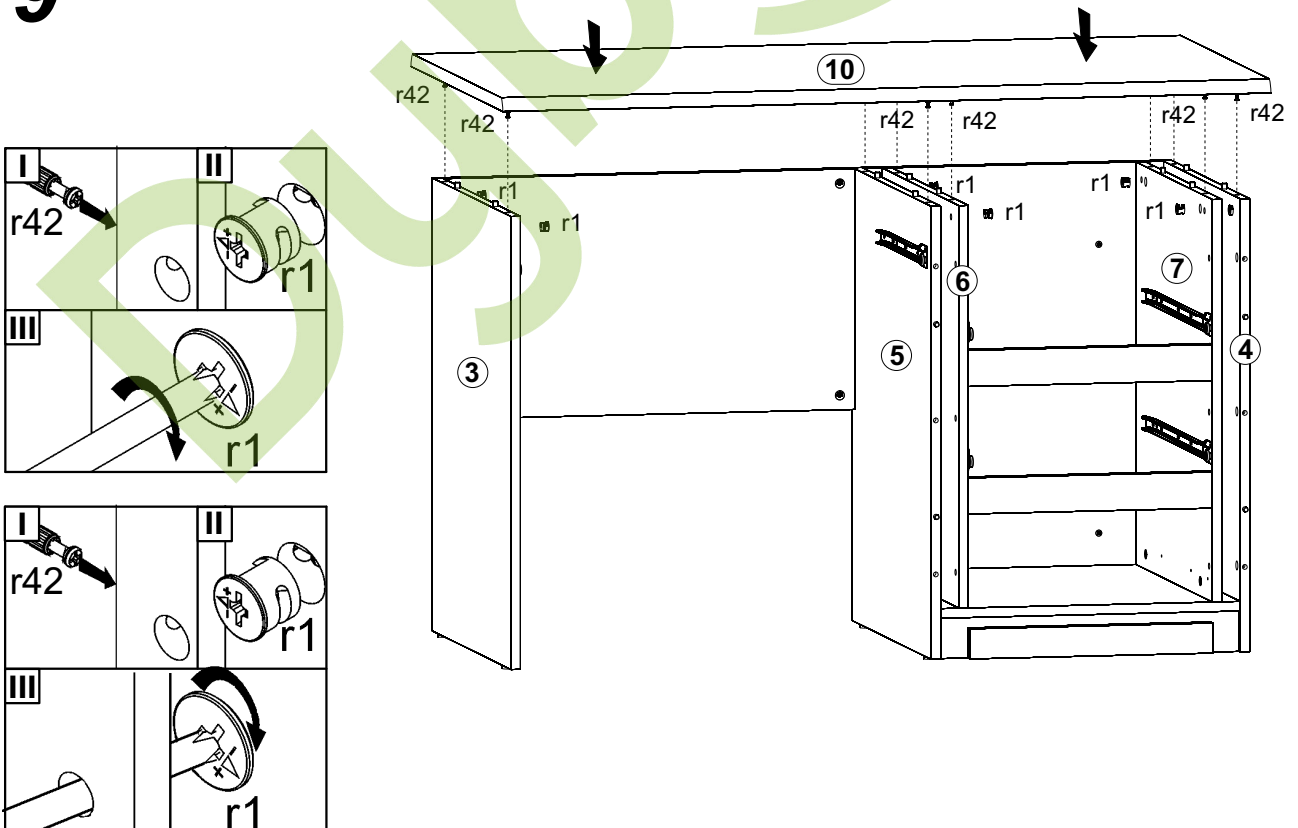
# 7



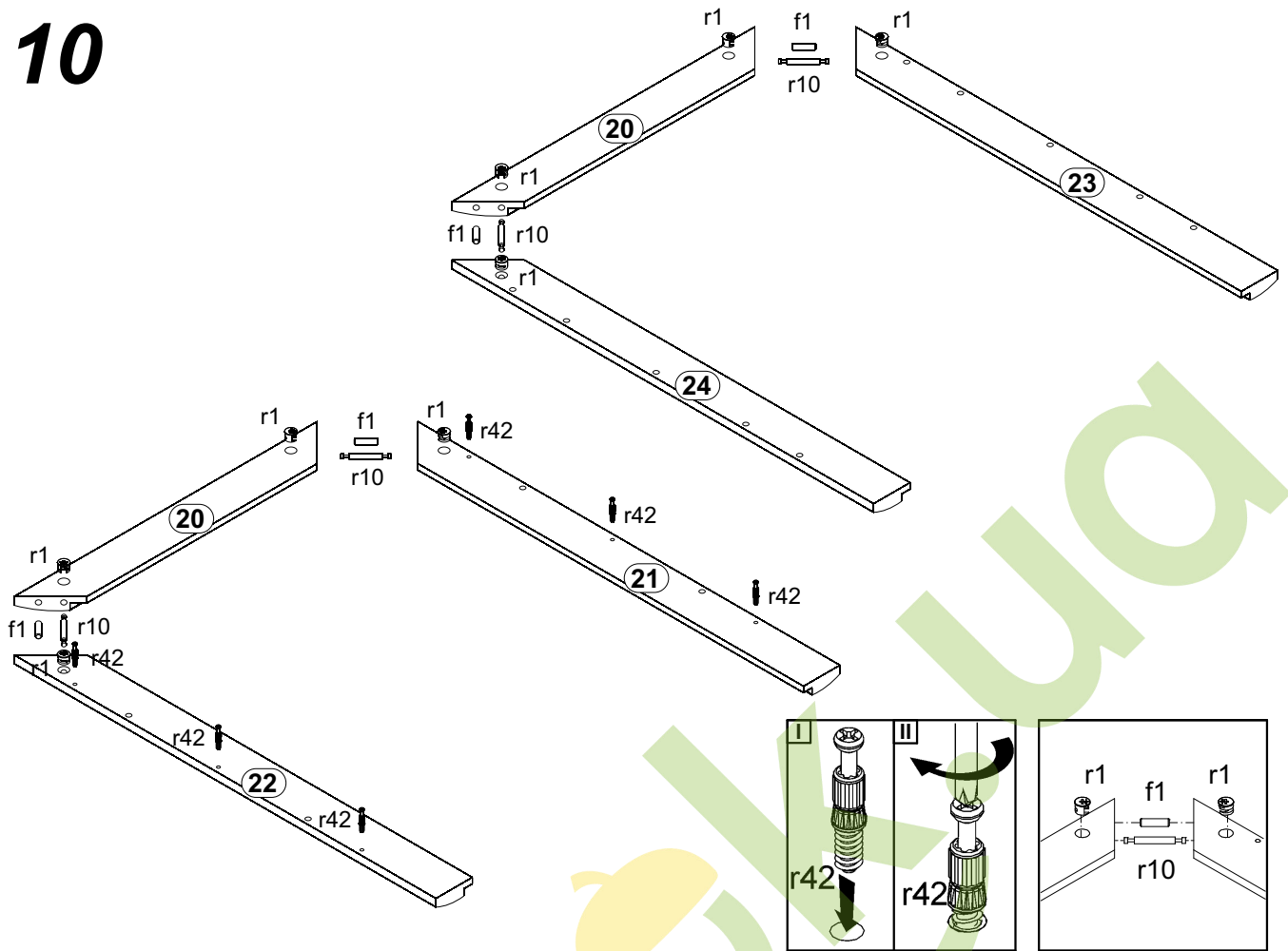
# 8



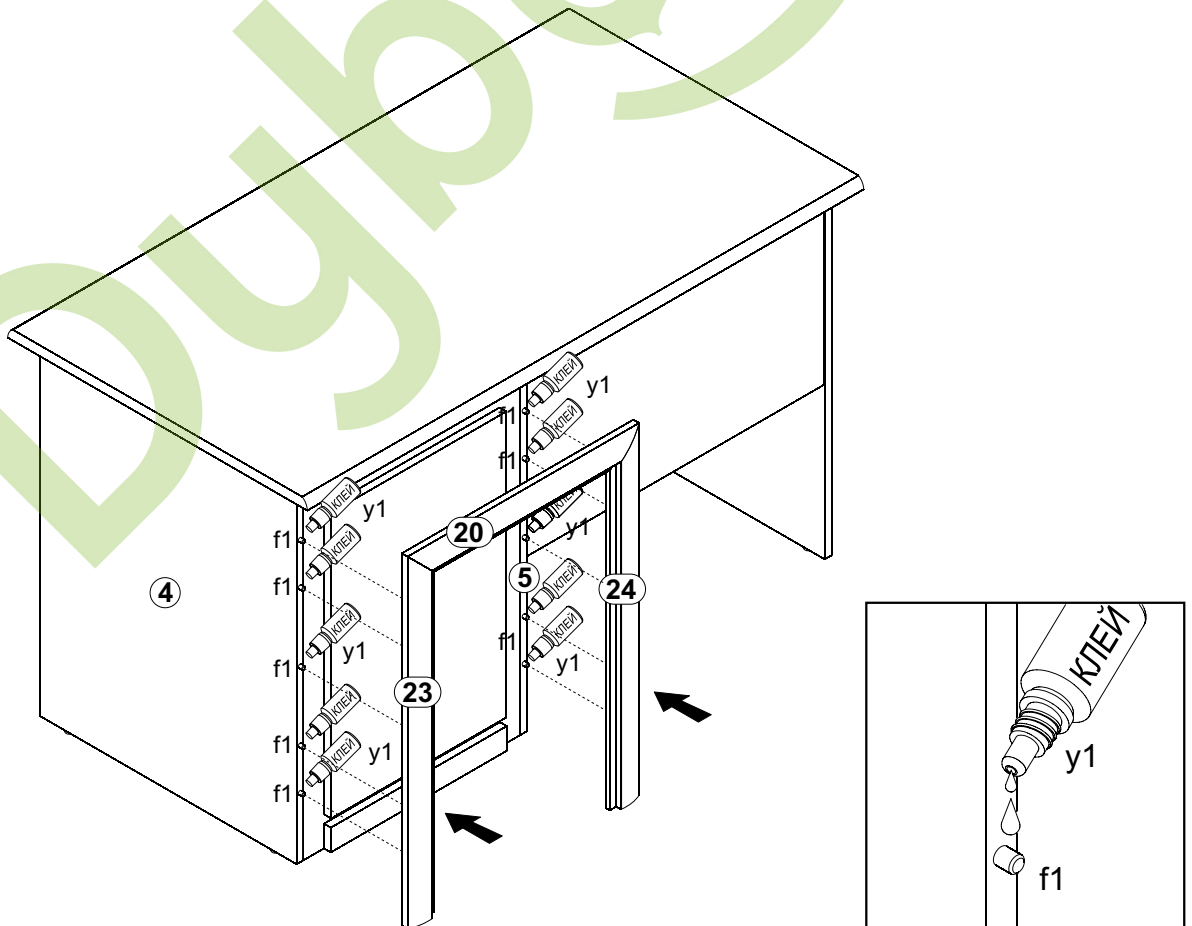
# 9



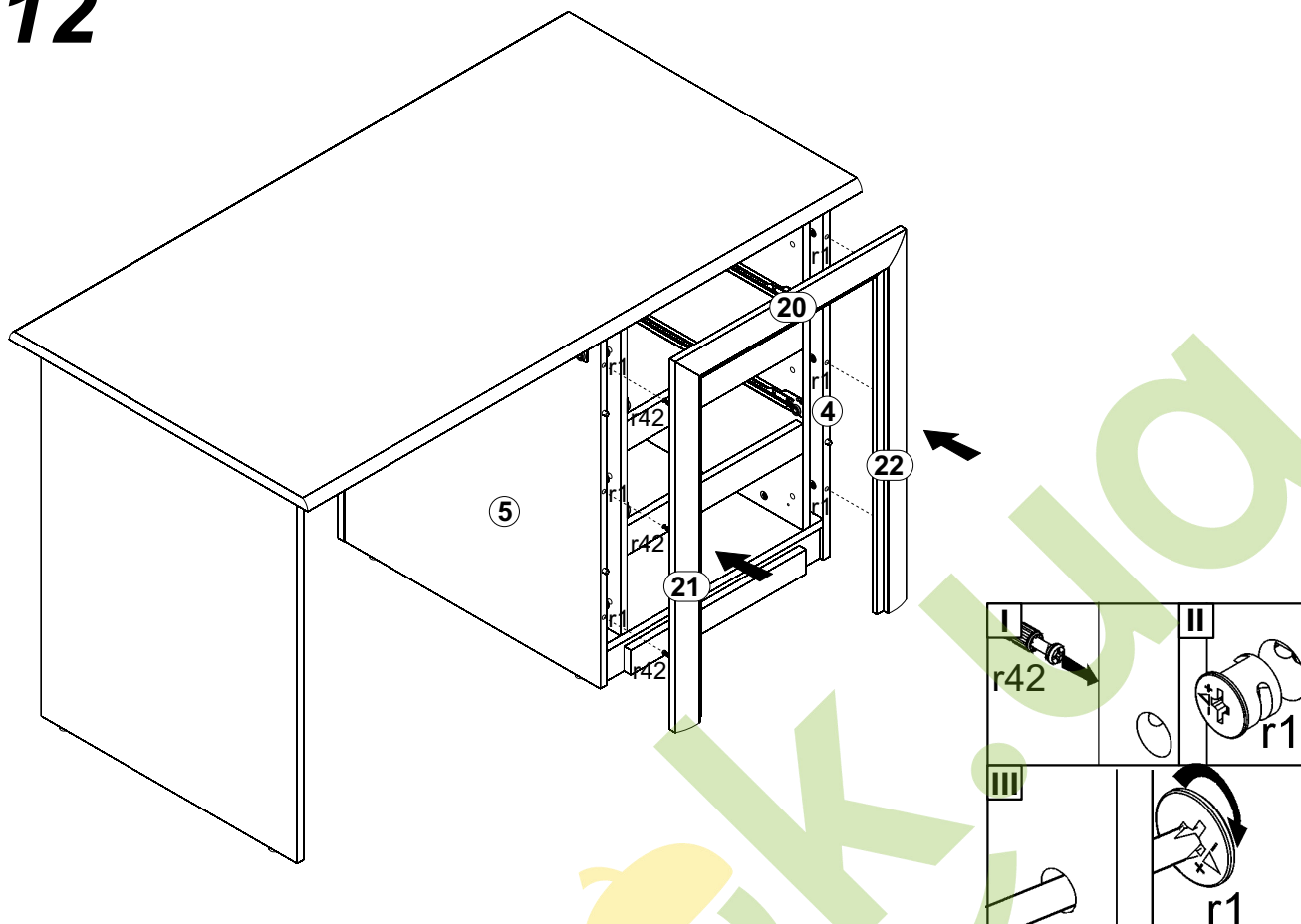
# 10



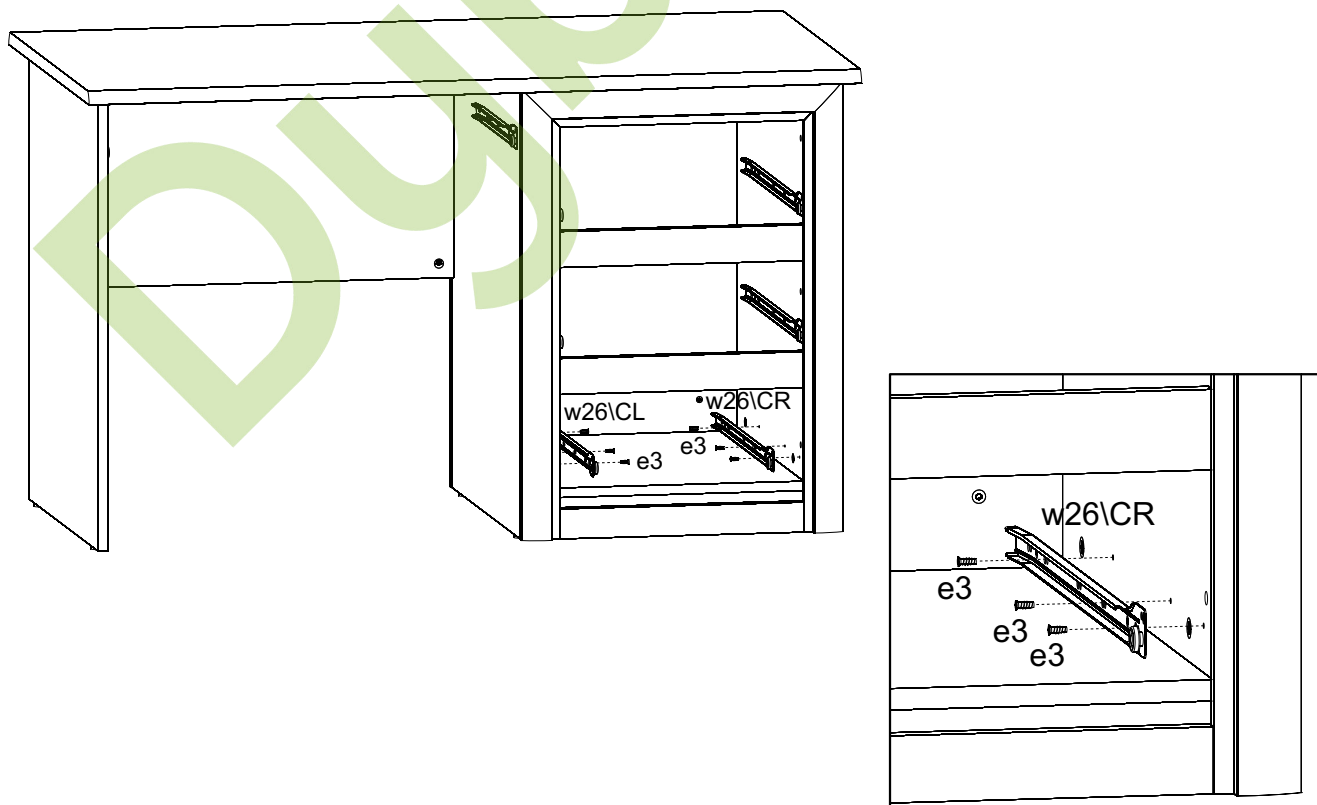
# 11



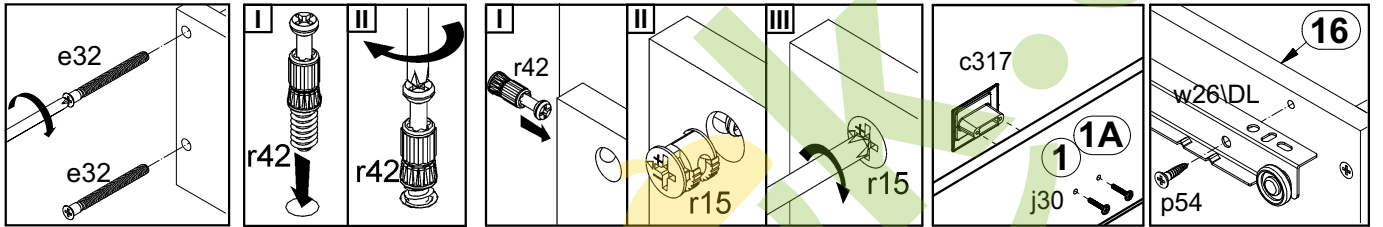
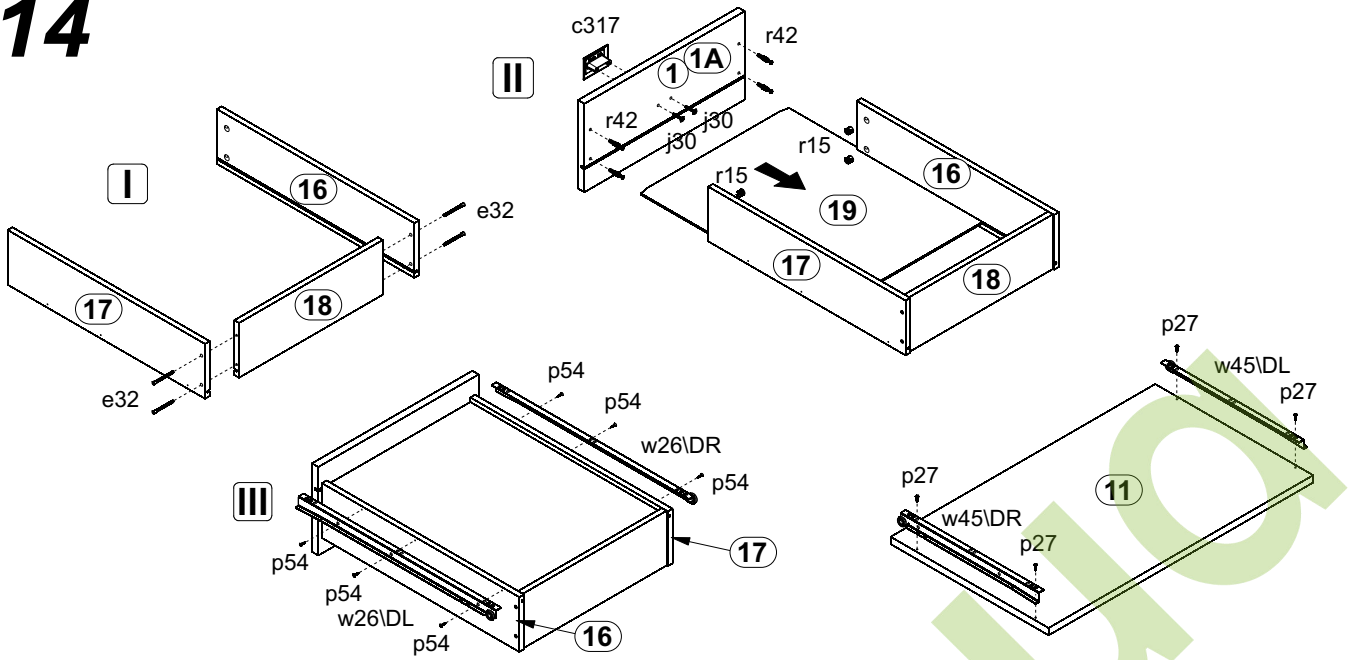
# 12



# 13



# 14



# 15

