

КОЕН

Пенал REG2D2S

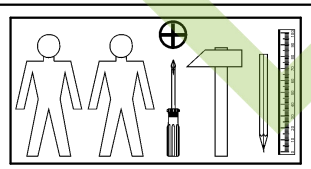
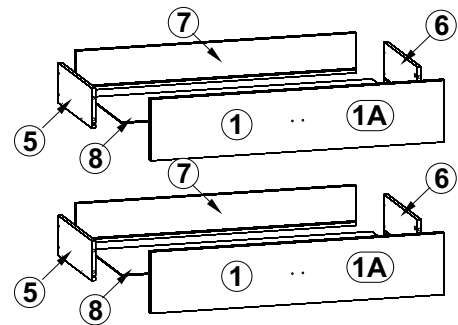
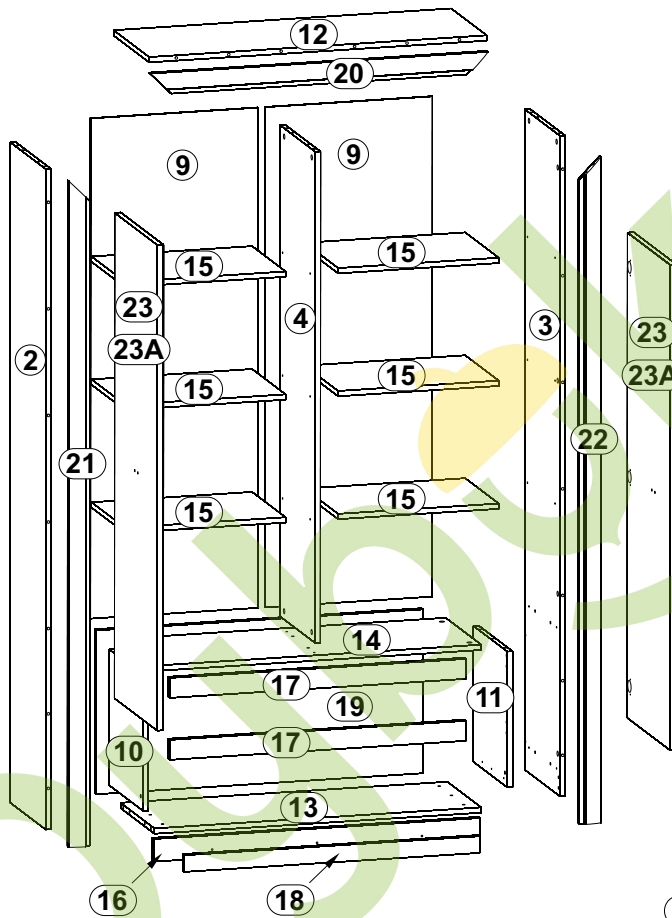
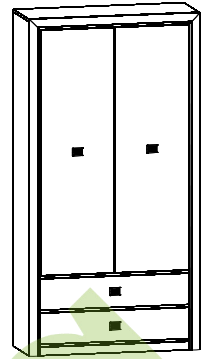
A	B	C		D
1	S136-002	896	185	4/5
1A	S136-002A	896	185	4/5
2	S136-174	1983	371	1/5
3	S136-175	1983	371	1/5
4	S136-178	1475	371	1/5
5	S136-511	350	120	1/5
6	S136-512	350	120	1/5
7	S136-5556	854	120	2/5
8	S136-911	865	348	1/5
9	S136-927	1502	511	1/5
10	S136-176	408	354	2/5
11	S136-177	408	354	2/5
12	S136-210	1030	371	2/5

→ Фасад ДСП
→ Фасад МДФ



Фасад ДСП →
Фасад МДФ →

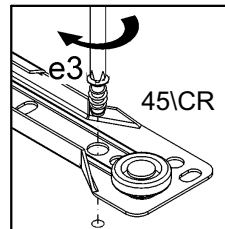
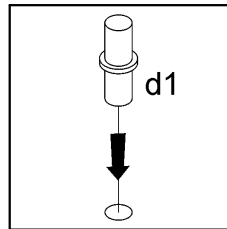
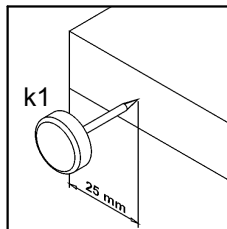
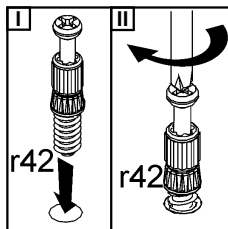
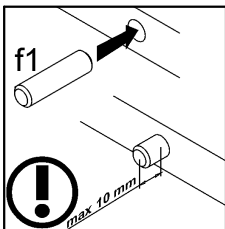
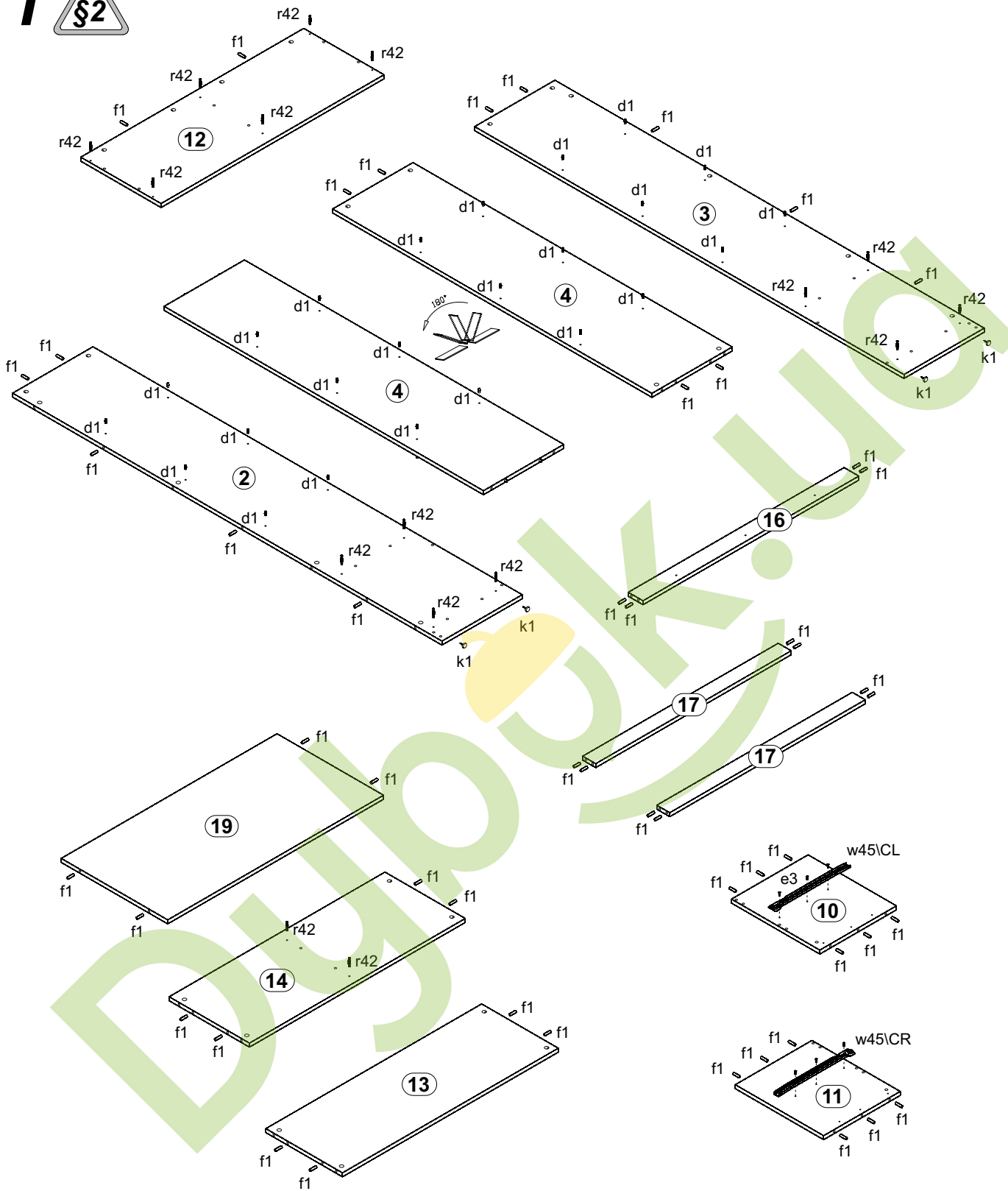
A	B	C		D
13	S136-337	997	354	2/5
14	S136-338	997	371	2/5
15	S136-339	490	350	2/5
16	S136-401	997	68	2/5
17	S136-402	903	60	2/5
18	S136-403	901	50	2/5
19	S136-5569	997	492	2/5
20	S136-573	1031	65	3/5
21	S136-571	2000	65	3/5
22	S136-572	2000	65	3/5
23	S136-001	1458	446	5/5
23A	S136-001A	1458	446	5/5

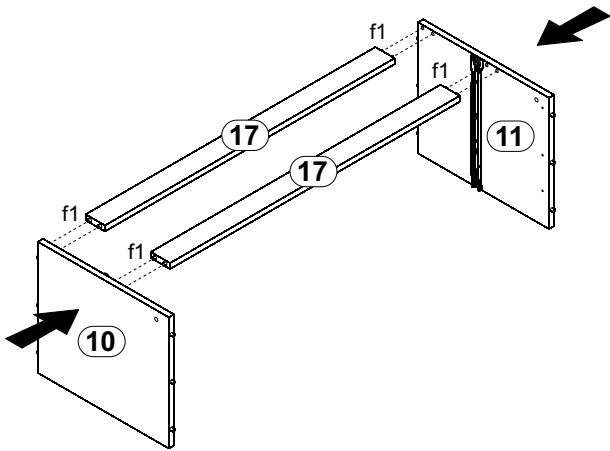
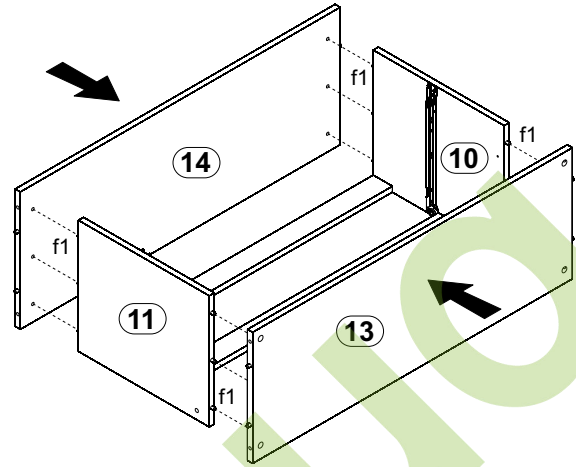
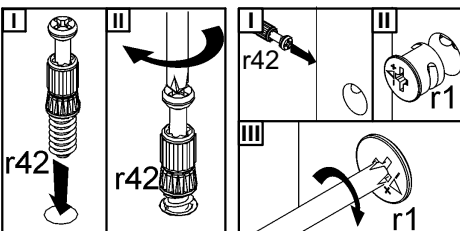
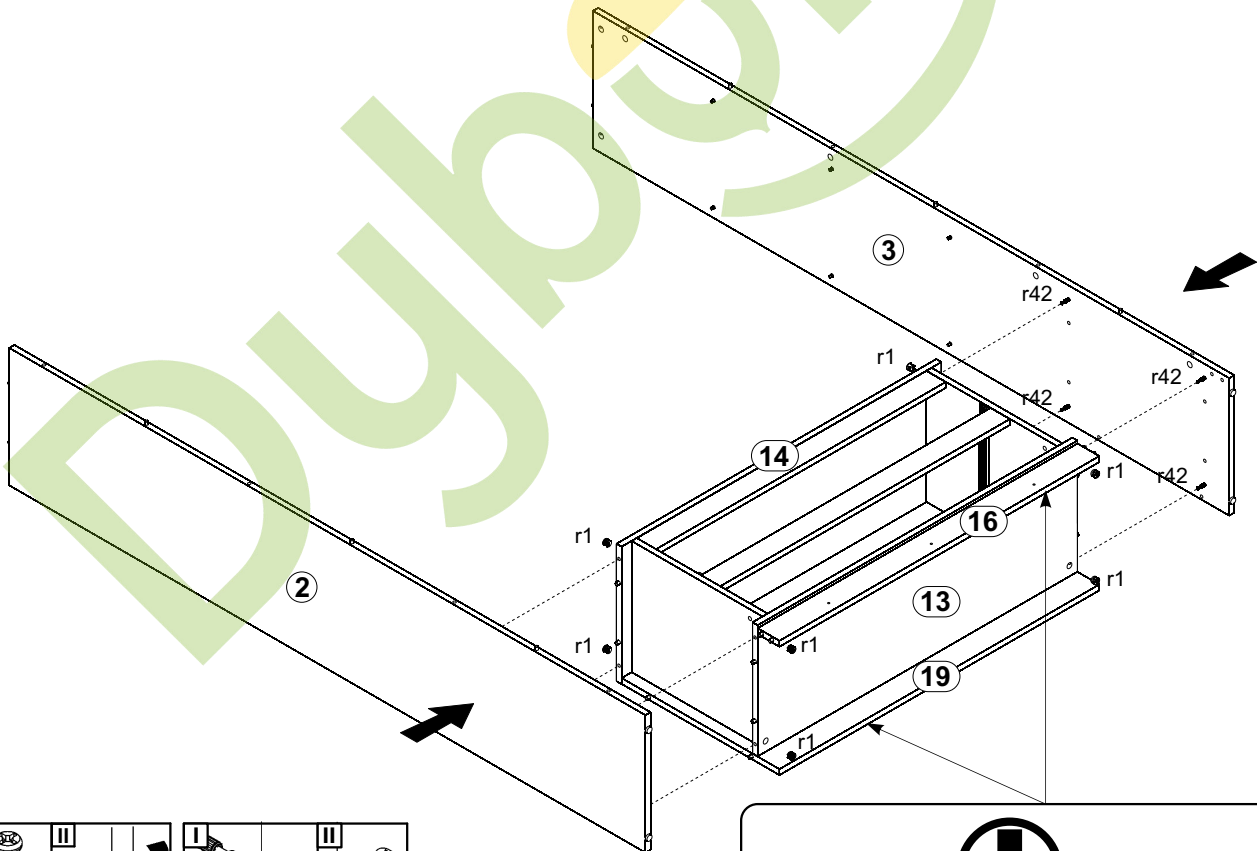


6x a99	6x b43	4x c317	24x d1 φ5x17 mm	12x e2 φ6,3x13 mm	12x e3 φ6x13 mm	8x e32 φ5x50 mm	54x f1 φ8x30 mm	8x j30 M4x22 mm
6x k1	96x l1	1x n26\1	4x p25 φ3,5x16 mm	1x p38 φ3,5x16 mm	12x p51 φ3,5x15 mm	8x p54 φ3x12 mm	3x p94 φ4x28 mm	32x r1 φ15x12mm #16
2x r10	8x r15 φ12x10,5mm #12	36x r42 20/11	12x s2 φ16	2x t19 333 mm	2x w45\CL 350 mm	2x w45\CR 350 mm	2x w45\DL 350 mm	2x w45\DR 350 mm



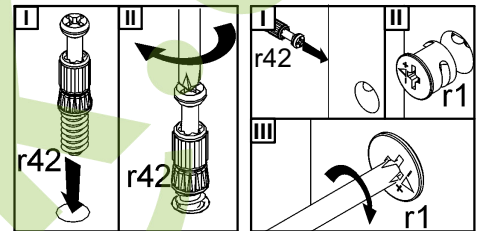
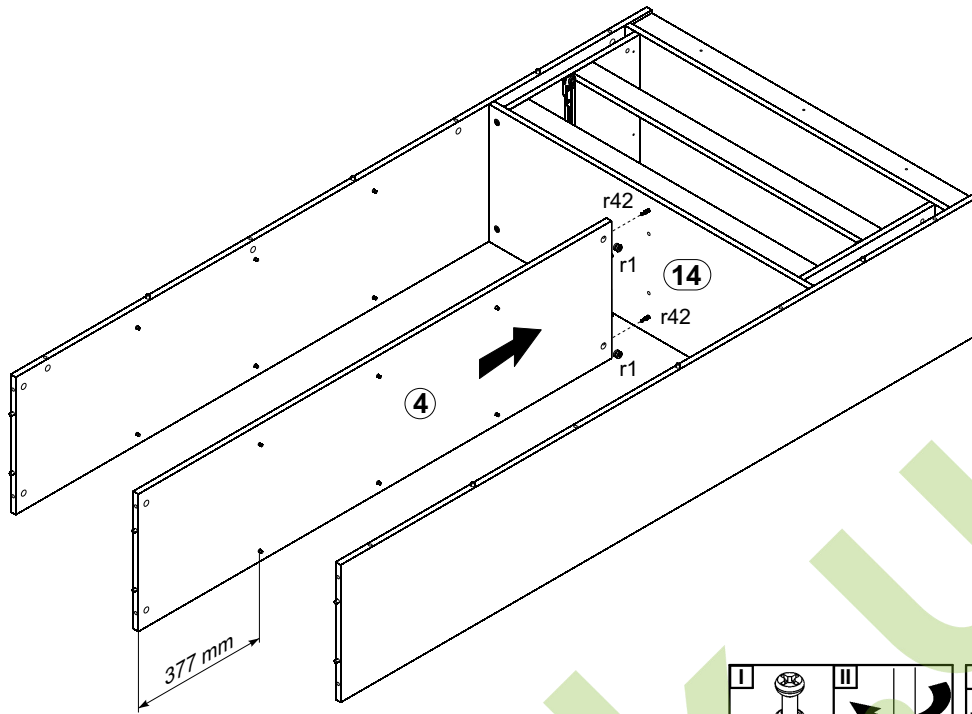
1



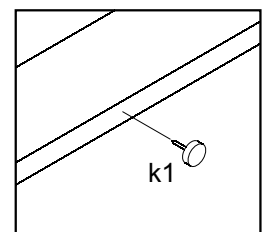
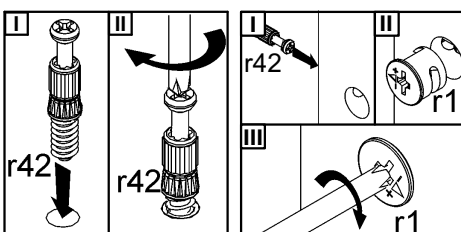
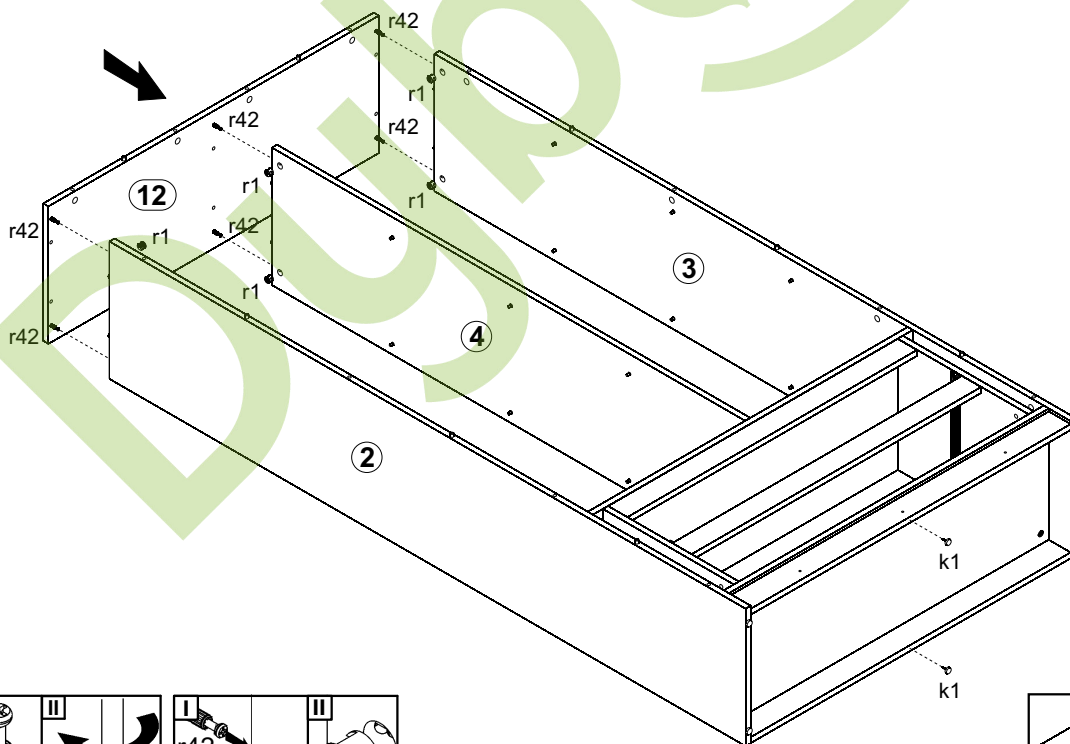
2**3****4**


Поверхня обклеєна!
Поверхность оклеена!

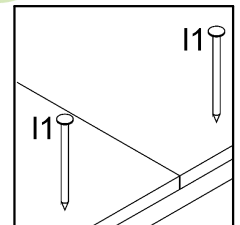
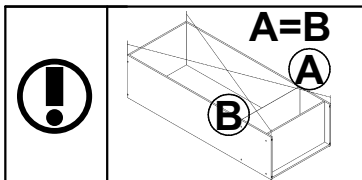
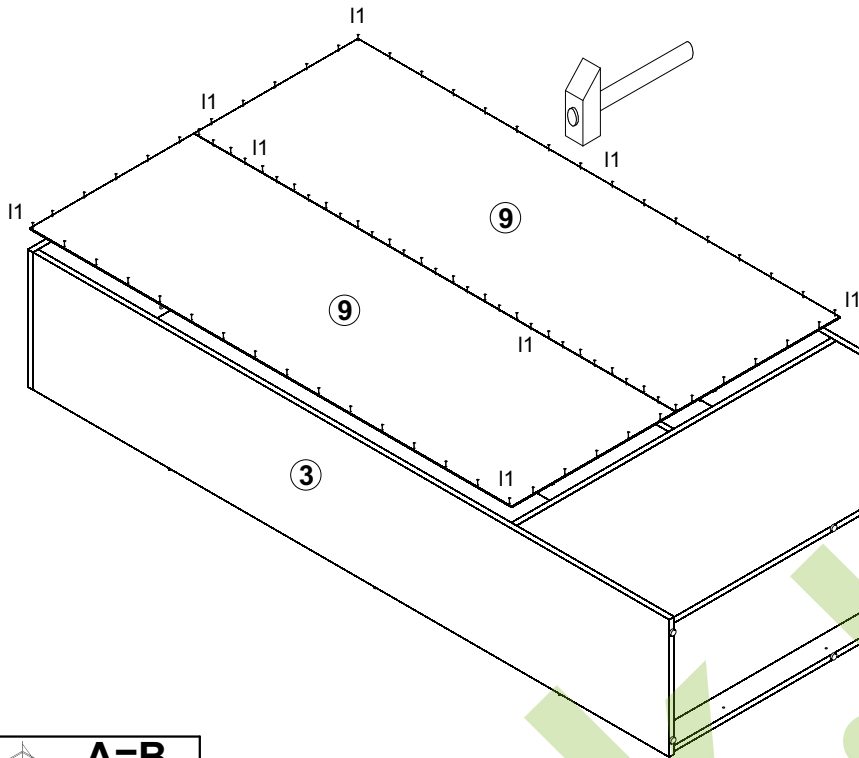
5



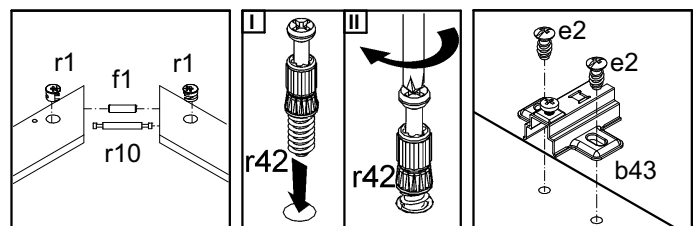
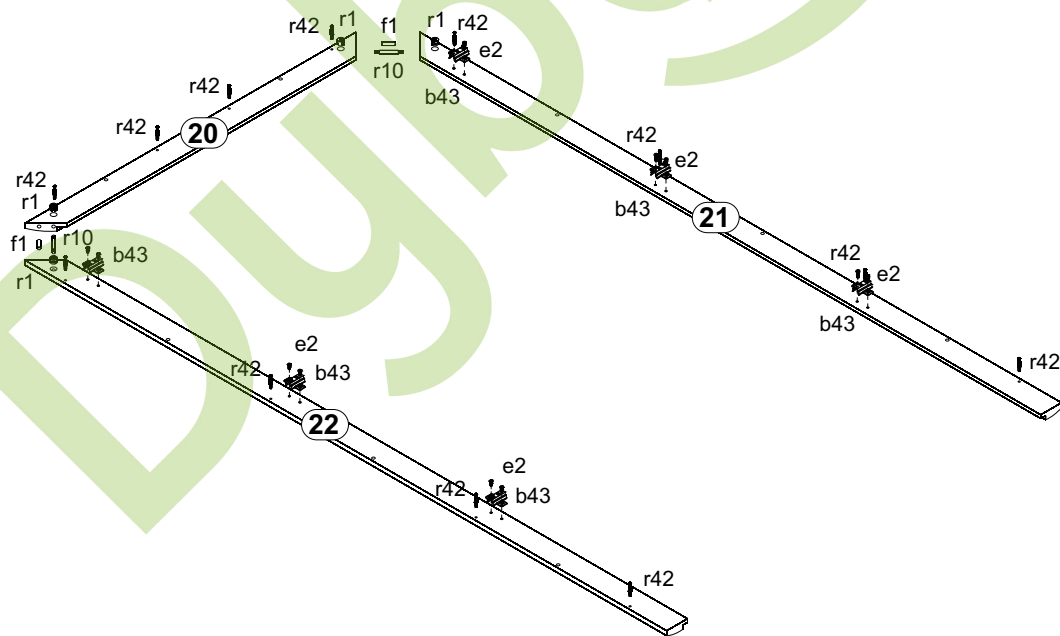
6



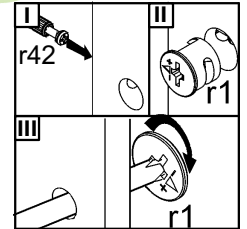
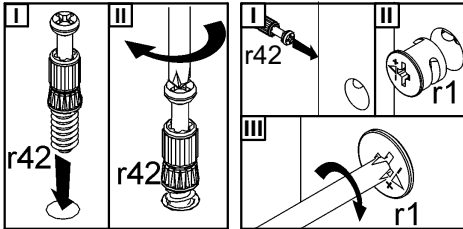
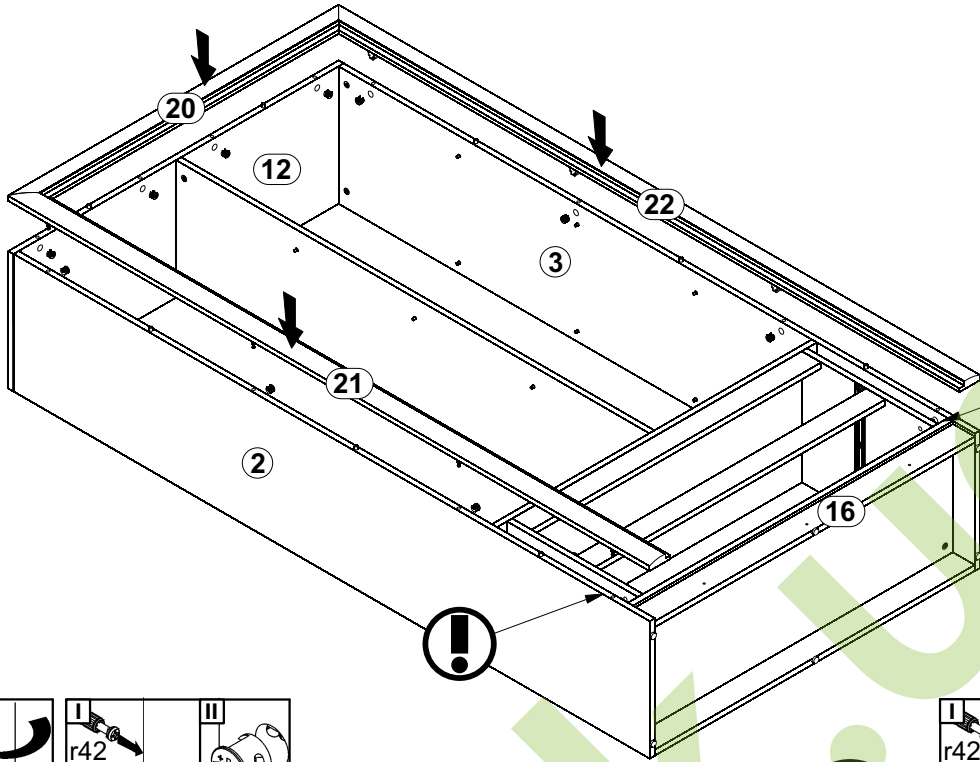
7



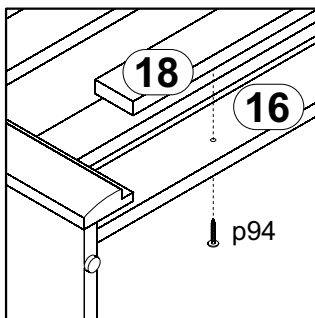
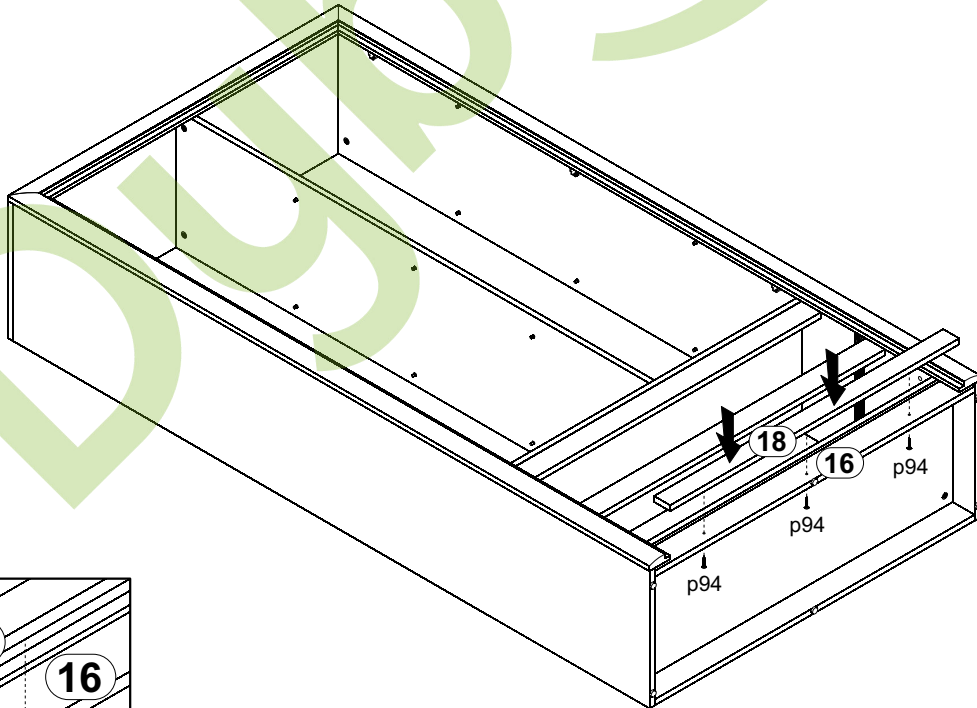
8



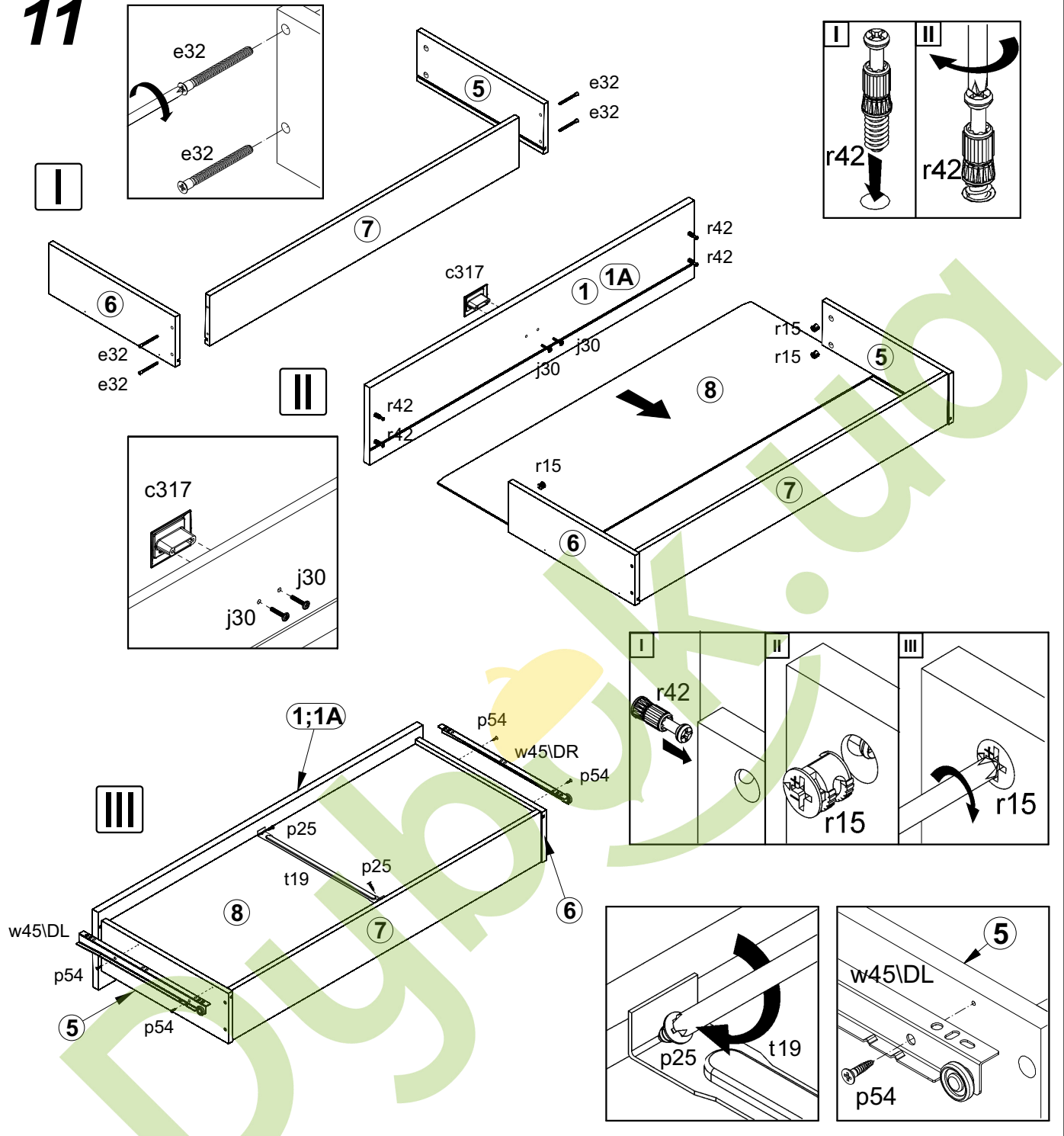
9



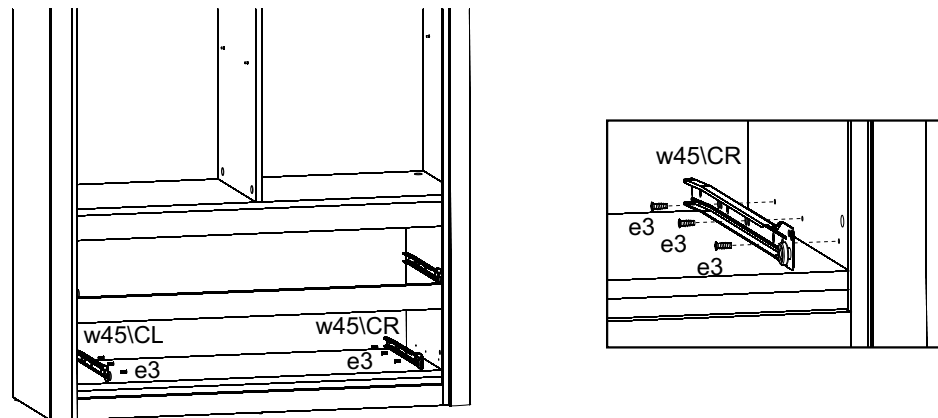
10



11

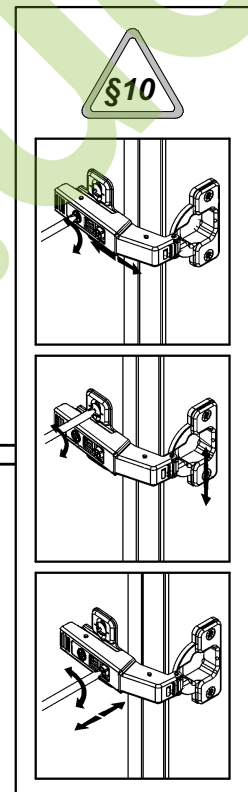
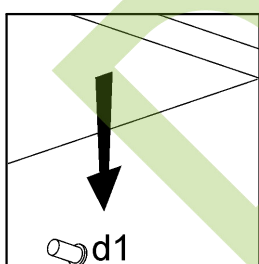
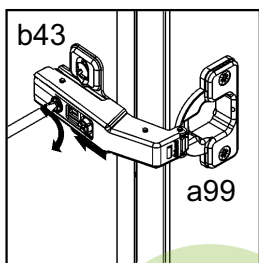
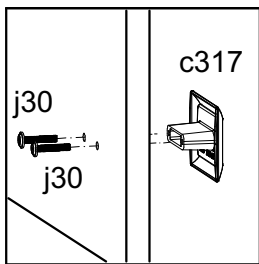
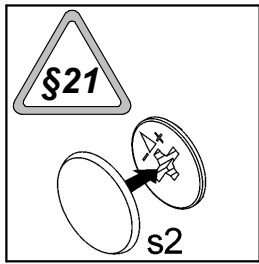
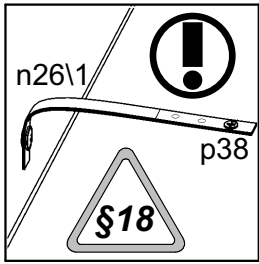
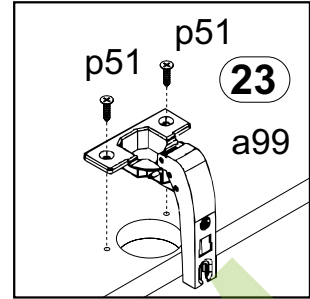
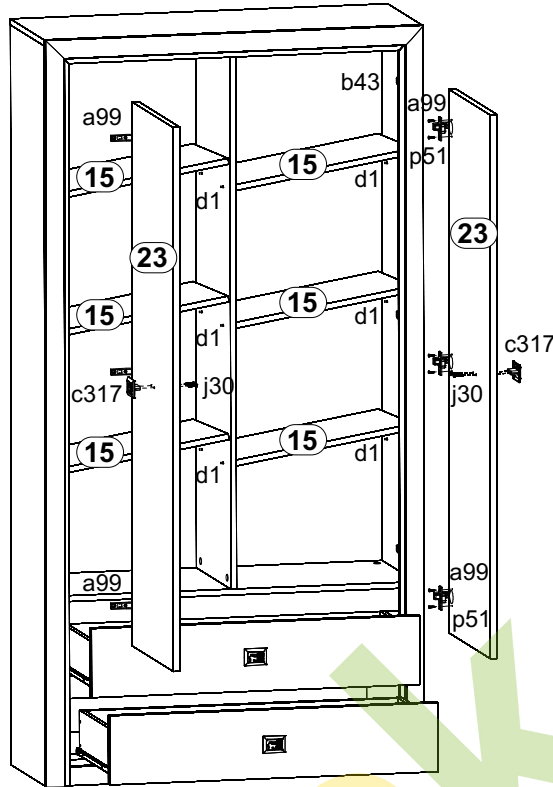


12



13

Фасад ДСП



Фасад МДФ

