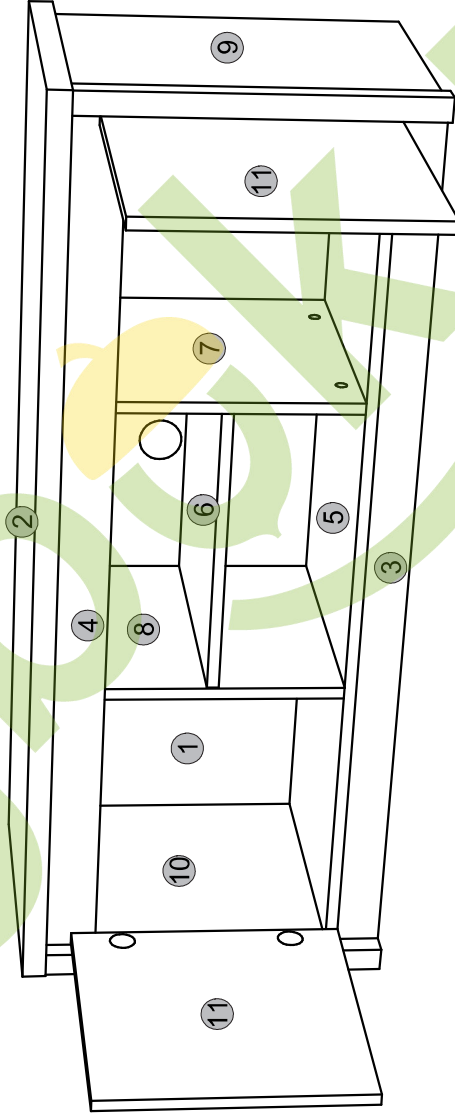
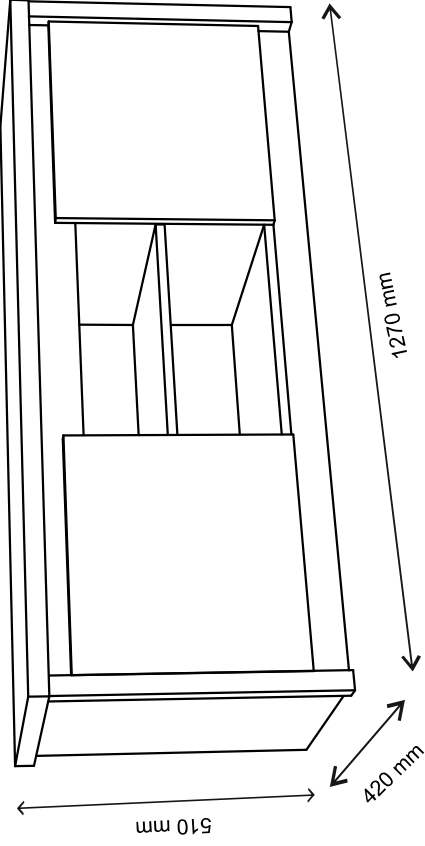
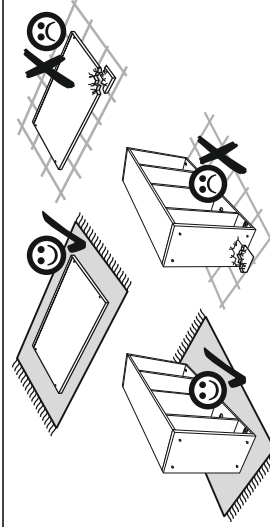
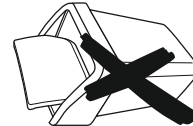
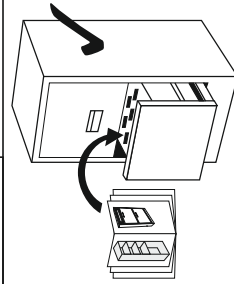
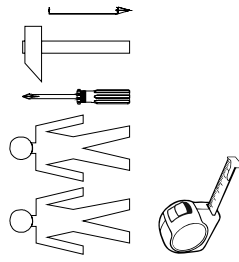
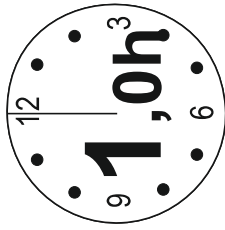
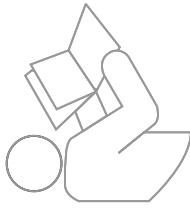


Instalation manual

NORTON: SZFK_RTV_2D

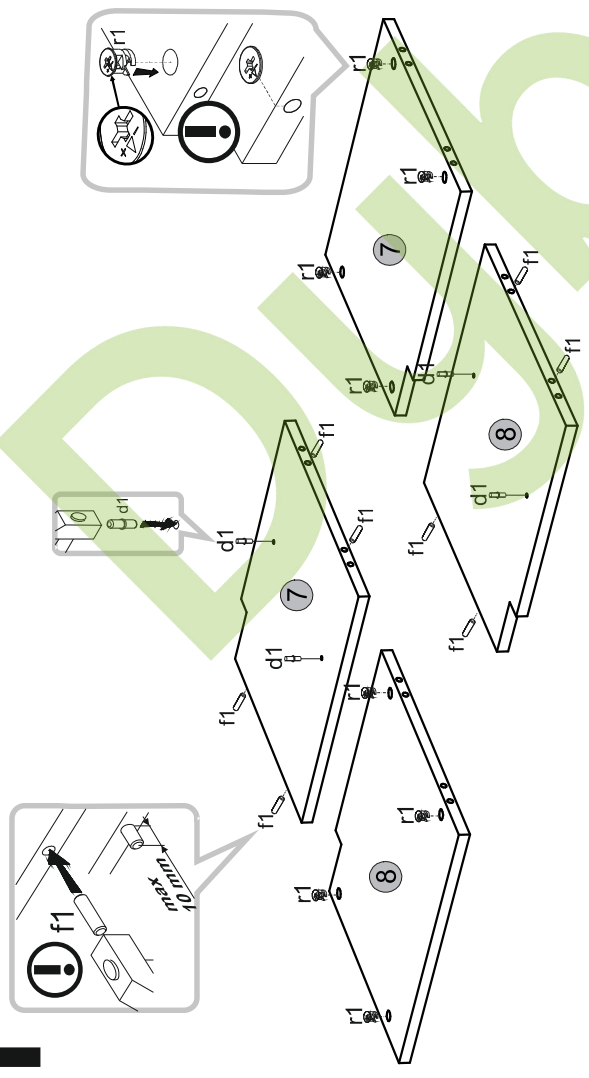


Element symbol	Dimensions	Code	Package			
1	437	1222	3	1	K-614	1/1
2	1270	420	16/32/32	1	K-207	1/1
3	60	1204	16	1	K-415	1/1
4	70	1204	30	1	K-416	1/1
5	1204	389	16	1	K-316	1/1
6	400	386	16	1	K-317	1/1
7	396	389	16	1	K-122	1/1
8	396	389	16	1	K-123	1/1
9	472	418	16/32	1	K-124	1/1
10	472	418	16/32	1	K-125	1/1
11	376	399	16	2	K-011	2/2

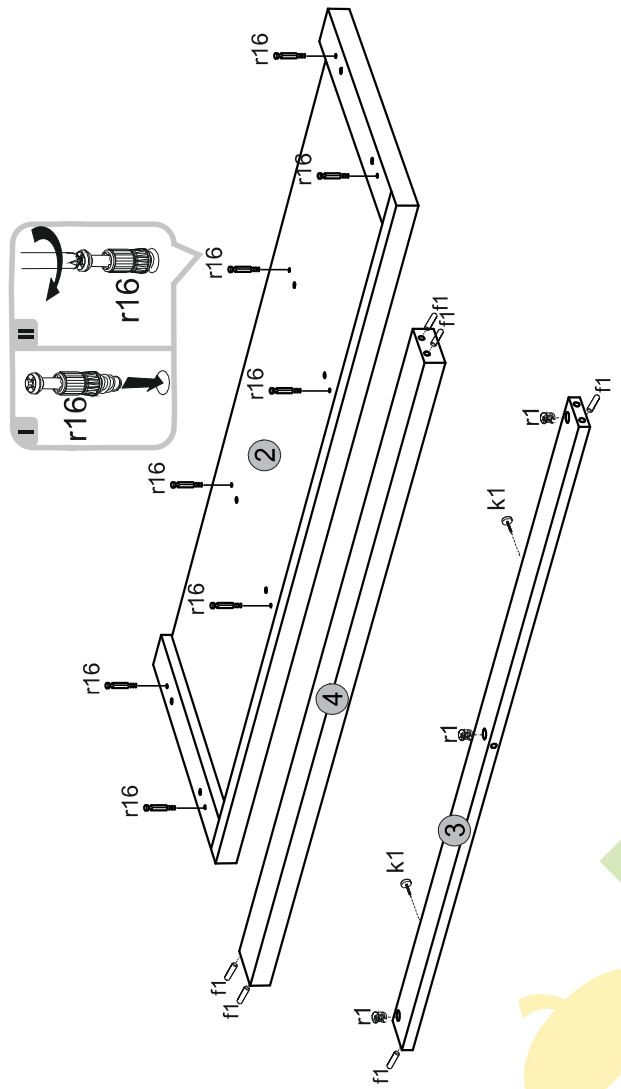
6x	22x	1x	60x	8x	8x
k1	f1	z1	l1	p25	p25
4x	4x	19x	19x	19x	19x
b119	d1	r1	r16	r16	s2
Ø3,7 mm	Ø3,7 mm	Ø1,5x1,2mm Ø 16			



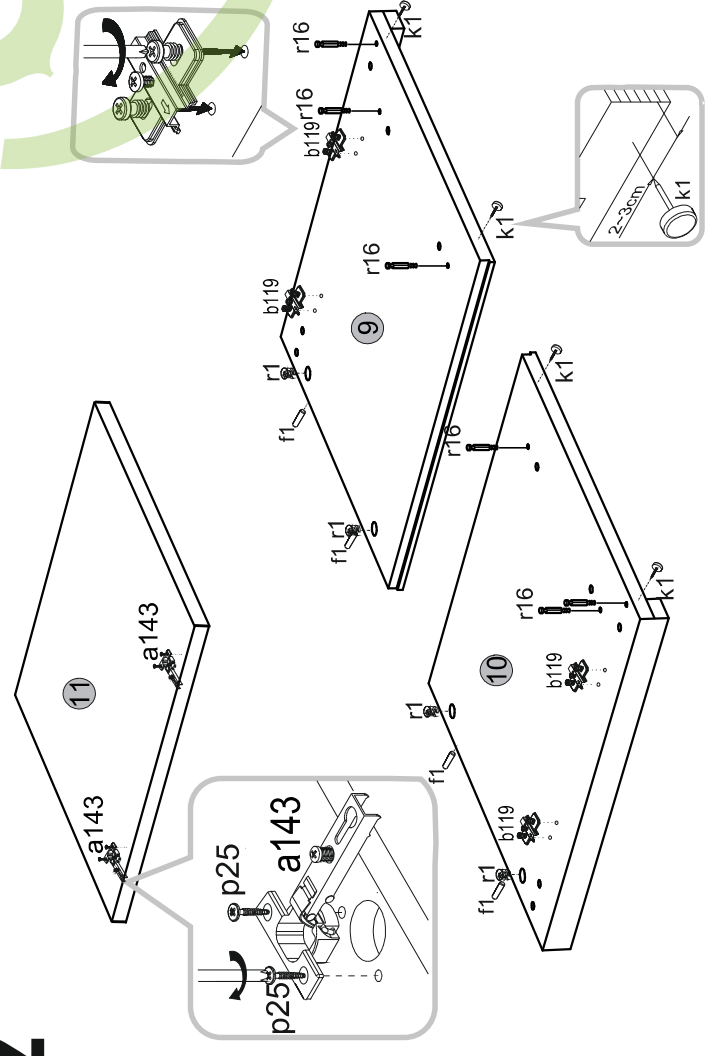
1



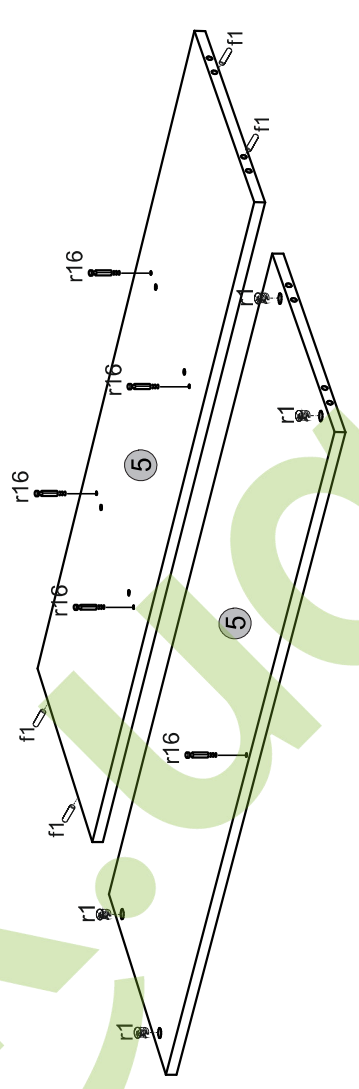
3



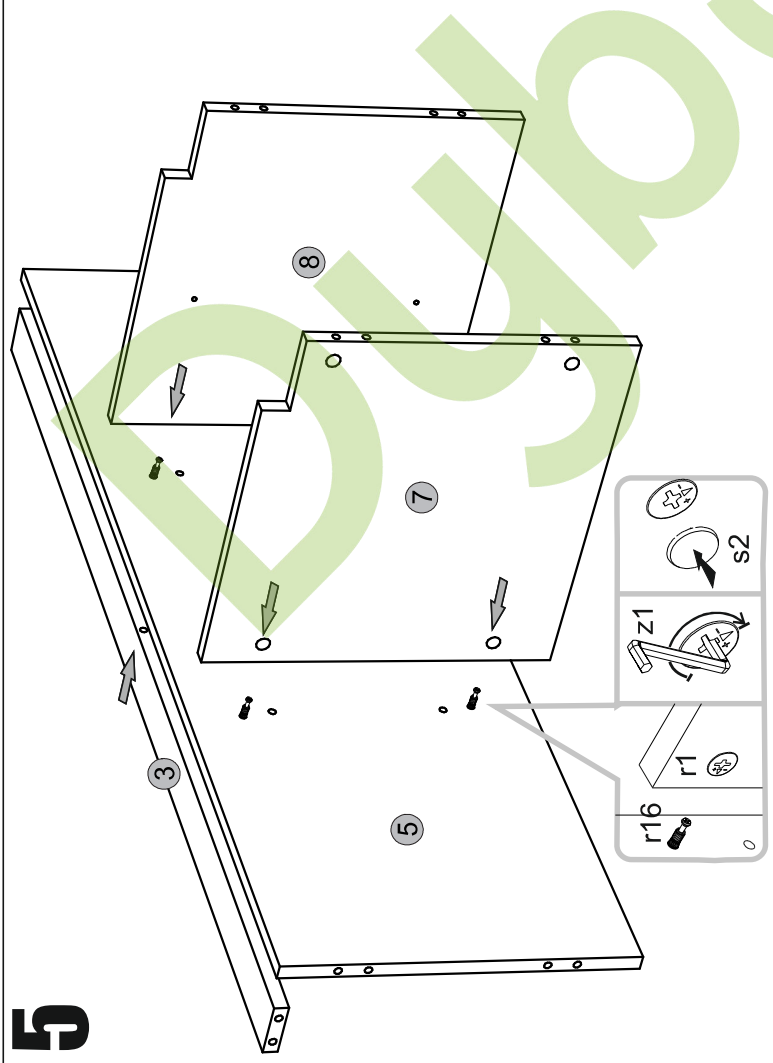
2



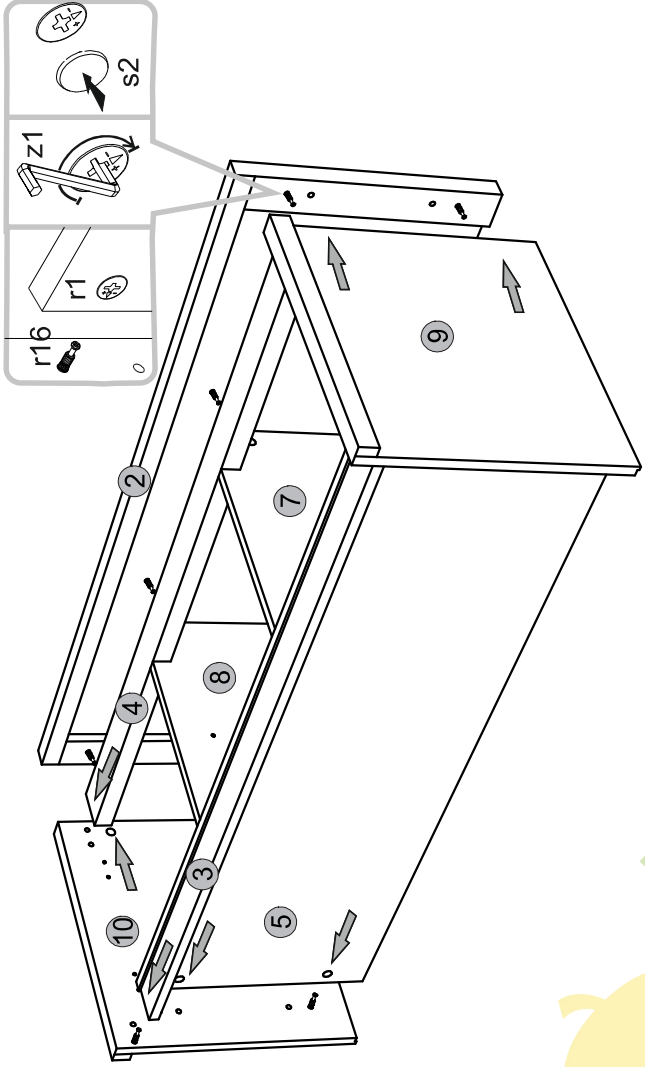
4



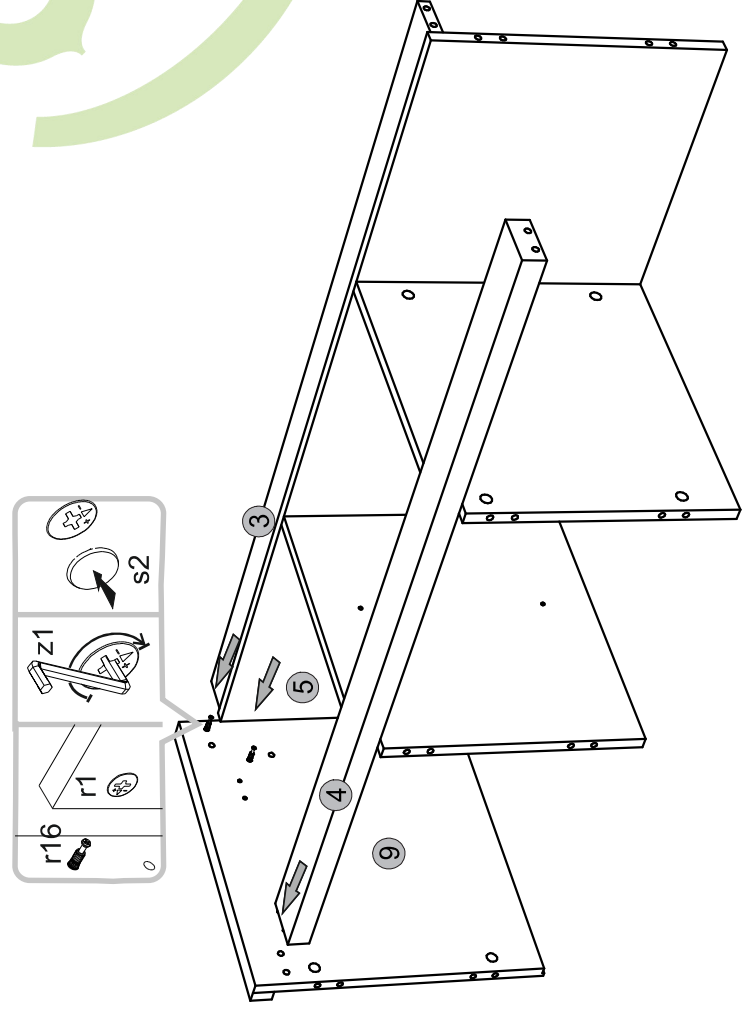
5



7



6



8

