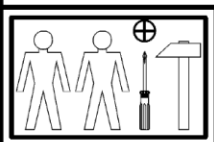
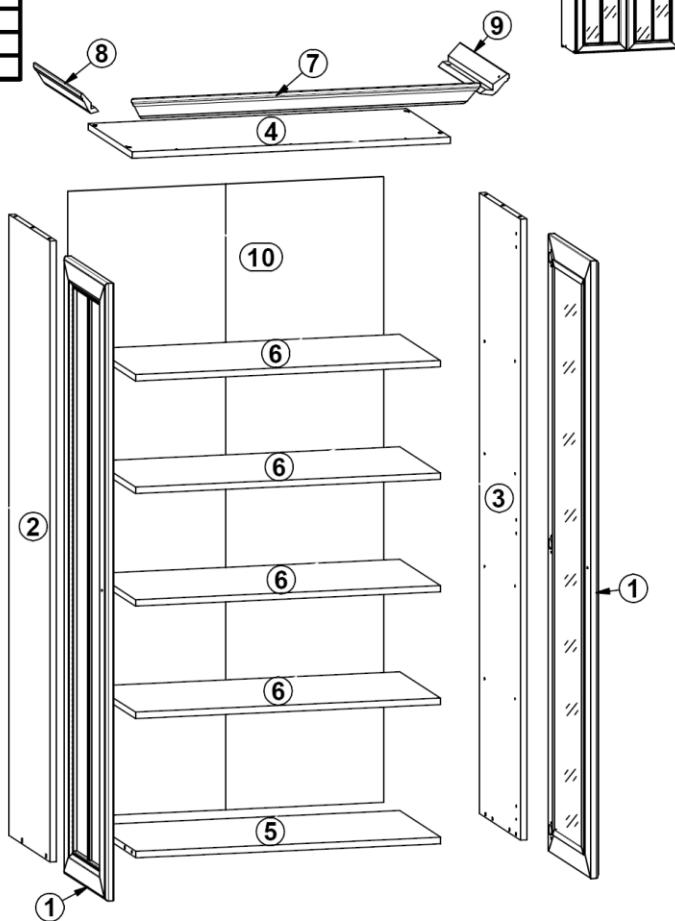
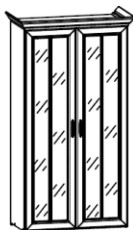


# WIKTOR

# S15-WITRYNA

A	B	C	D
1	WS1-007	1526	395 3/3
2	WS1-115	1534	385 1/3
3	WS1-116	1534	385 1/3
4	WS1-206	800	414 2/3
5	WS1-309	767	385 2/3
6	WS1-310	767	380 2/3
7	WS1-574	876	79 2/3
8	WS1-575	451	79 2/3
9	WS1-576	451	79 2/3
10	WS1-9902	1546	793 1/3



6x  a2	6x  b1	2x  c69	16x  d1 φ3x17 mm	8x  e1 φ7x50 mm	6x  f1 φ3x30 mm	2x  j20 M4x33 mm	50x  l1	2x  n40
2x  n52 φ3x12 mm	6x  p25 φ3.5x16 mm	7x  p39 φ4x20 mm	4x  p46 φ3x7 mm	4x  s1	1x  z1	1x  n26/1	1x  p38 φ3.5x16 mm	

