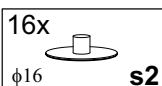
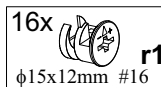
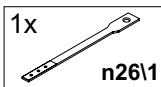
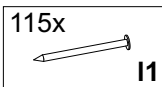
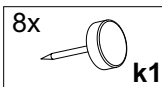
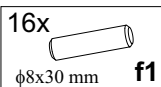
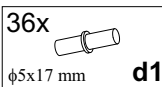
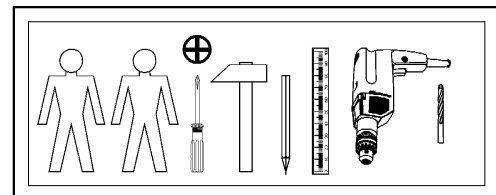
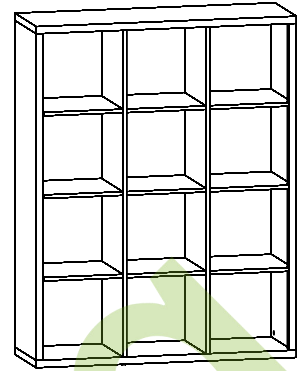
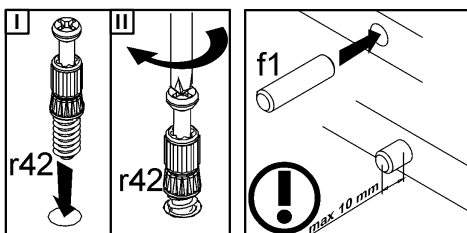
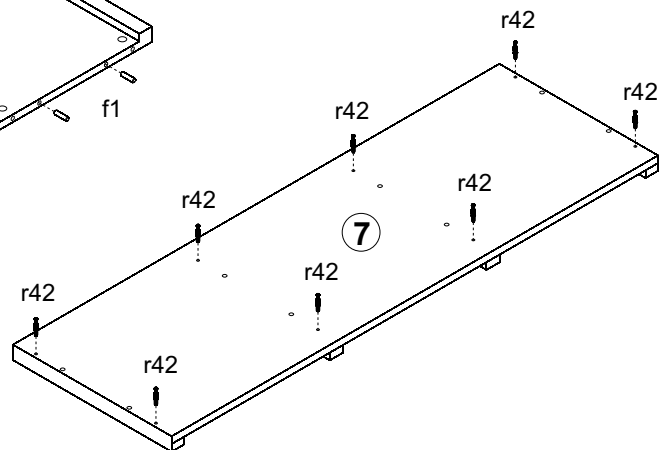
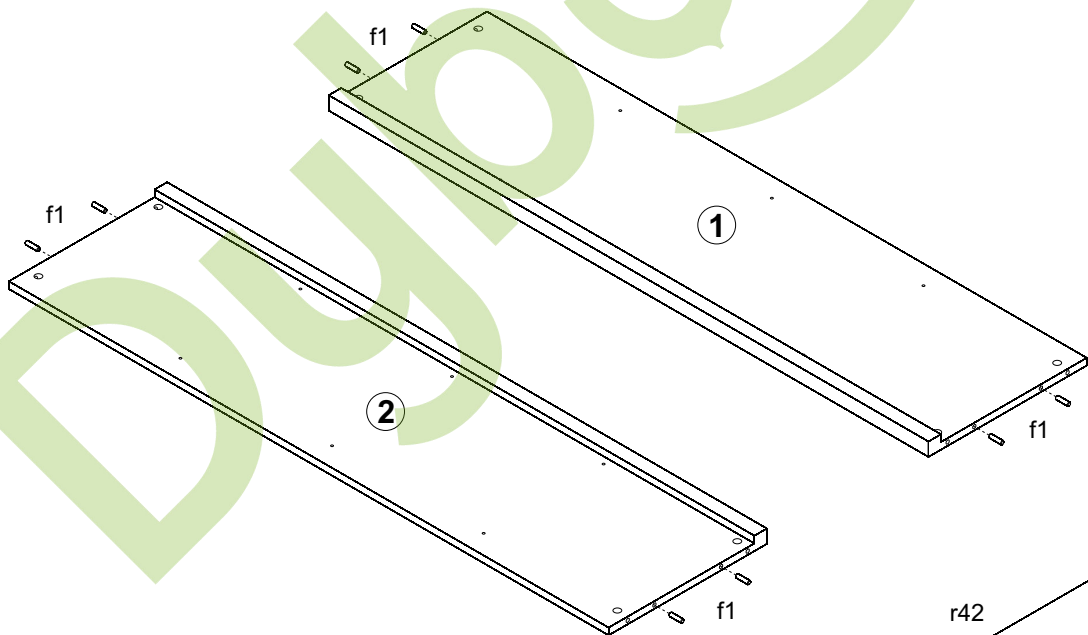
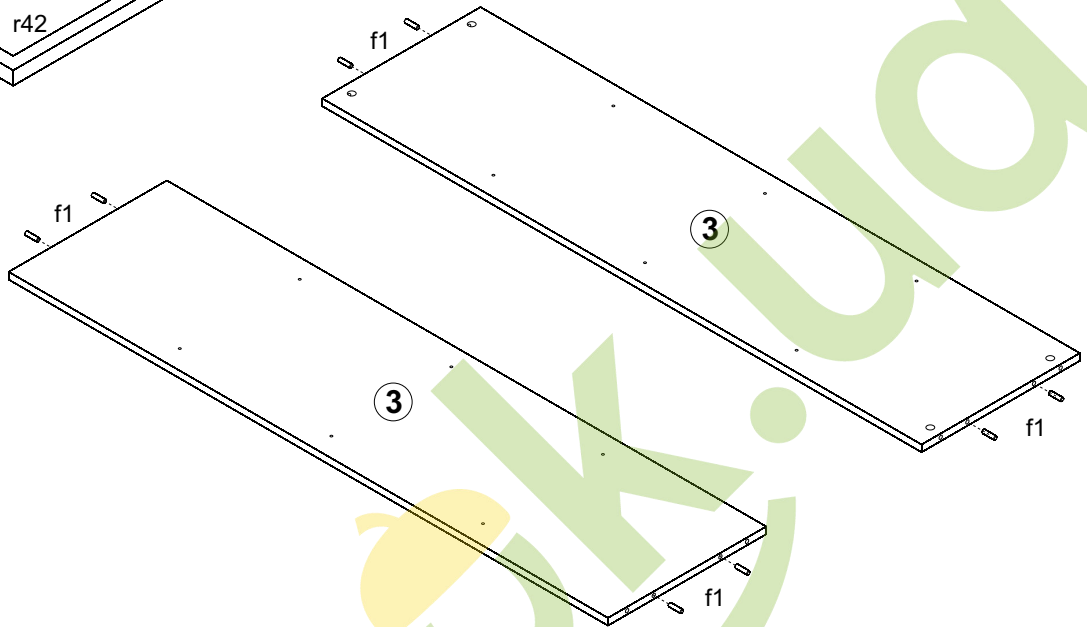
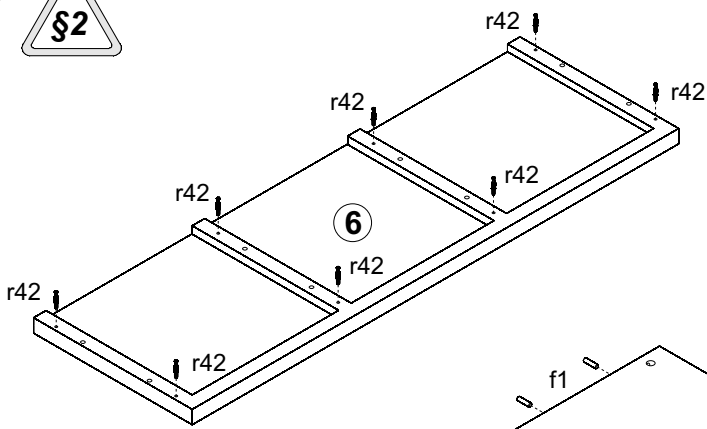


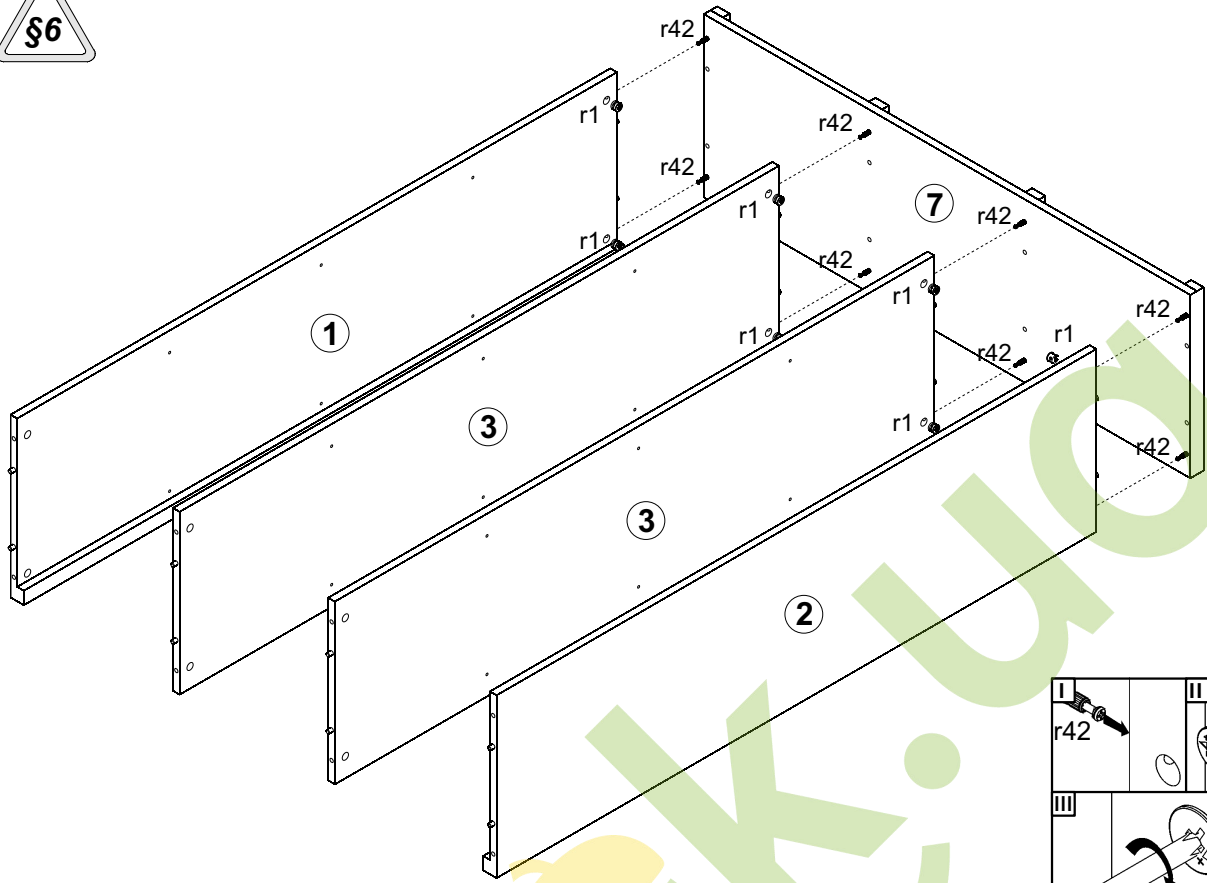
A	B	C		D
1	NI1-112	1440	380	1/3
2	NI1-113	1440	380	1/3
3	NI1-114	1440	380	1/3
4	NI1-908	1483	394	1/3
5	NI1-909	1483	372	1/3
6	NI1-202	1168	381	2/3
7	NI1-207	1168	381	2/3
8	NI1-310	357	379	3/3
9	NI1-325	373	379	3/3



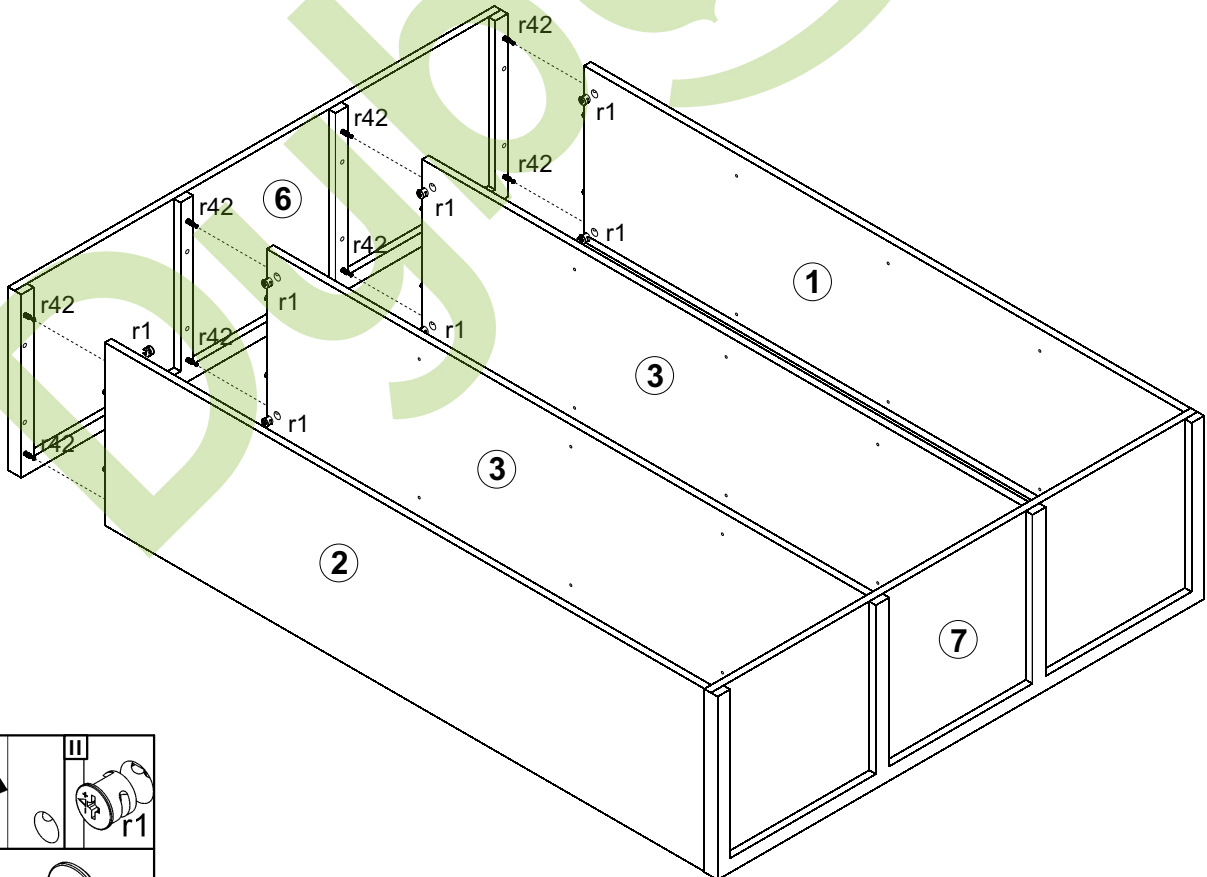
1



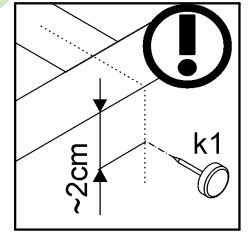
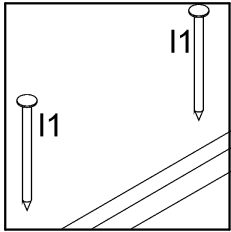
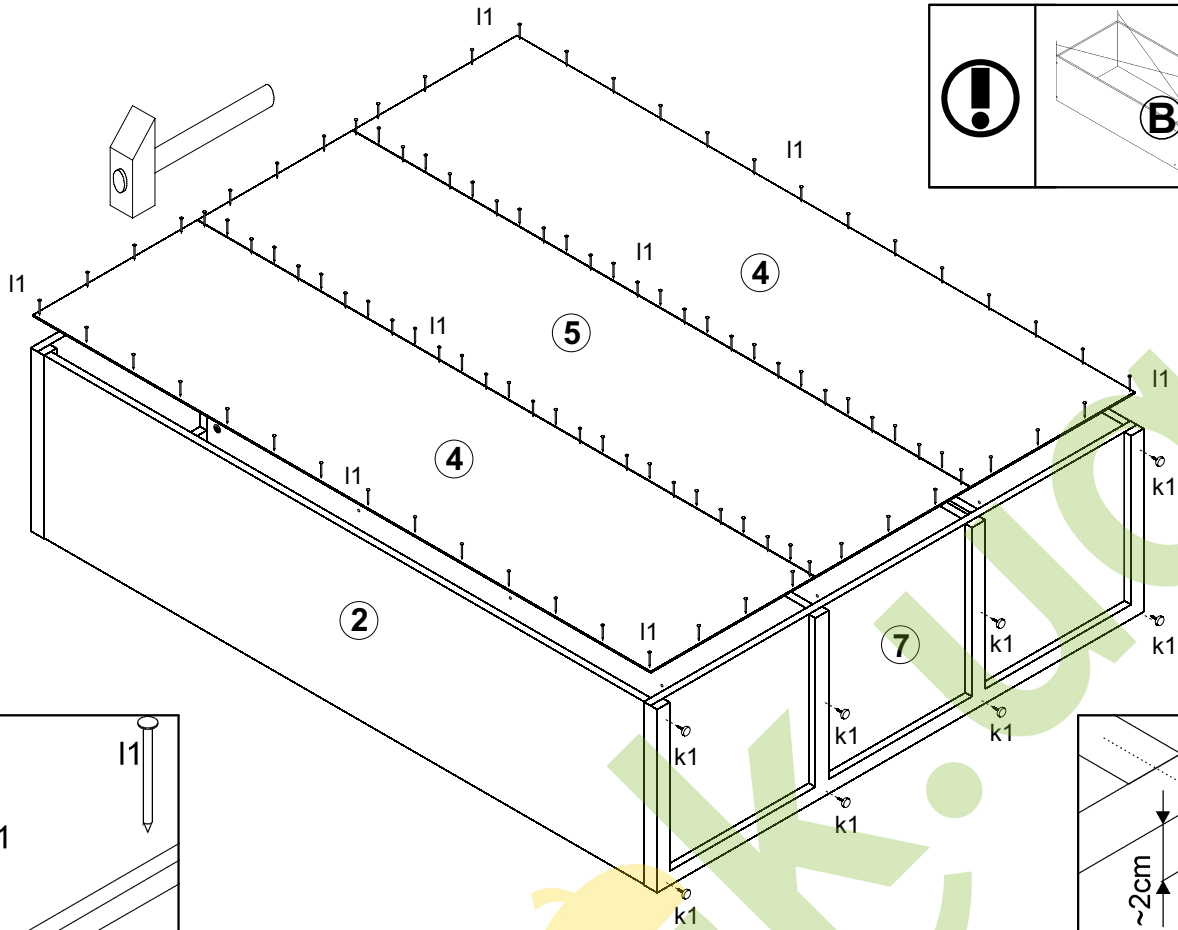
2



3



4



5

