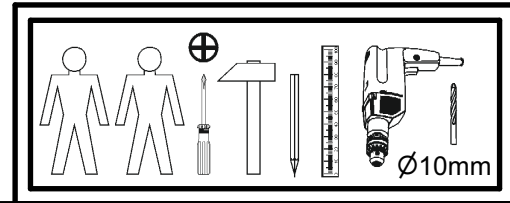
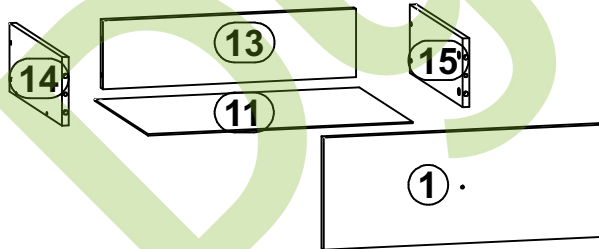
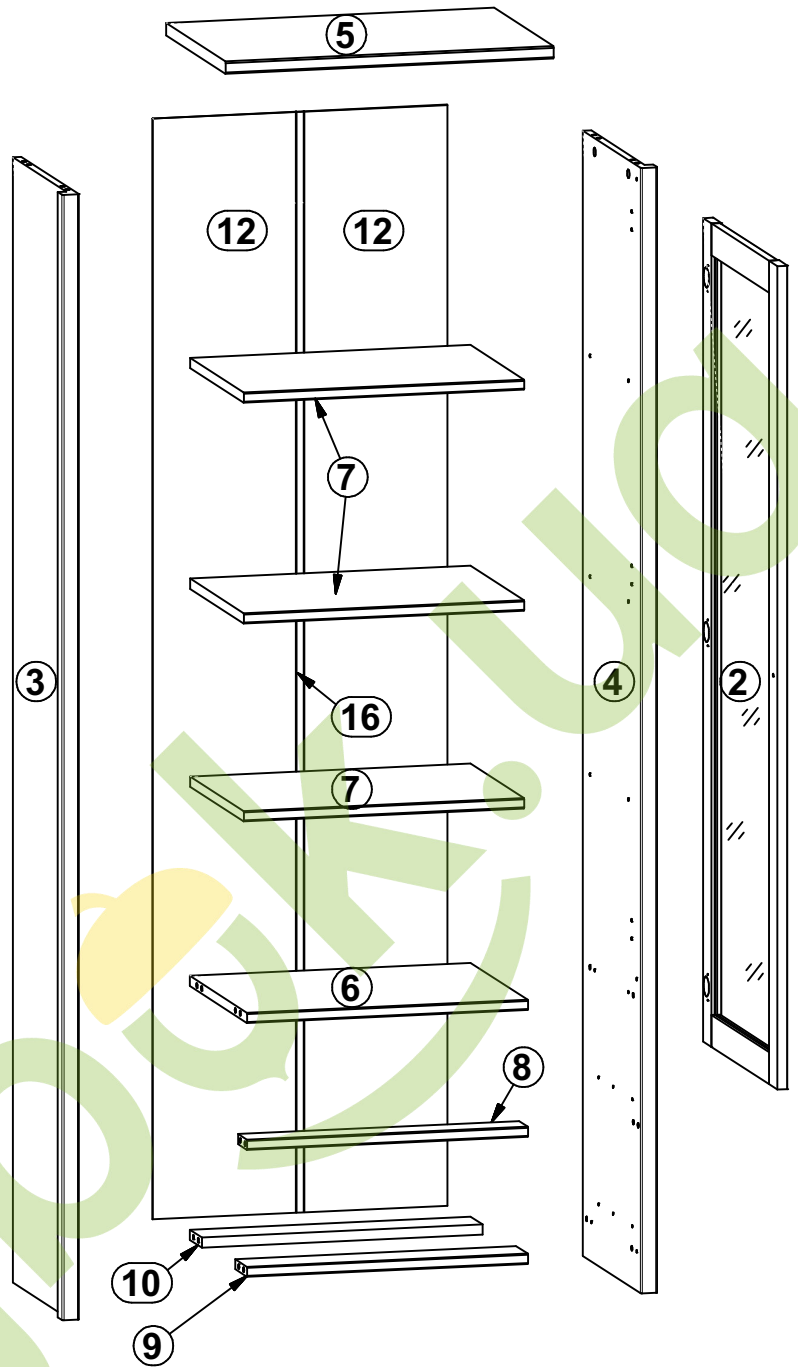
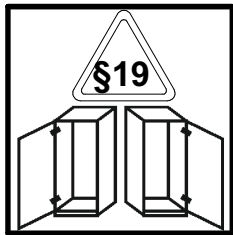
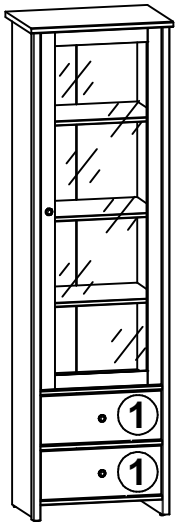
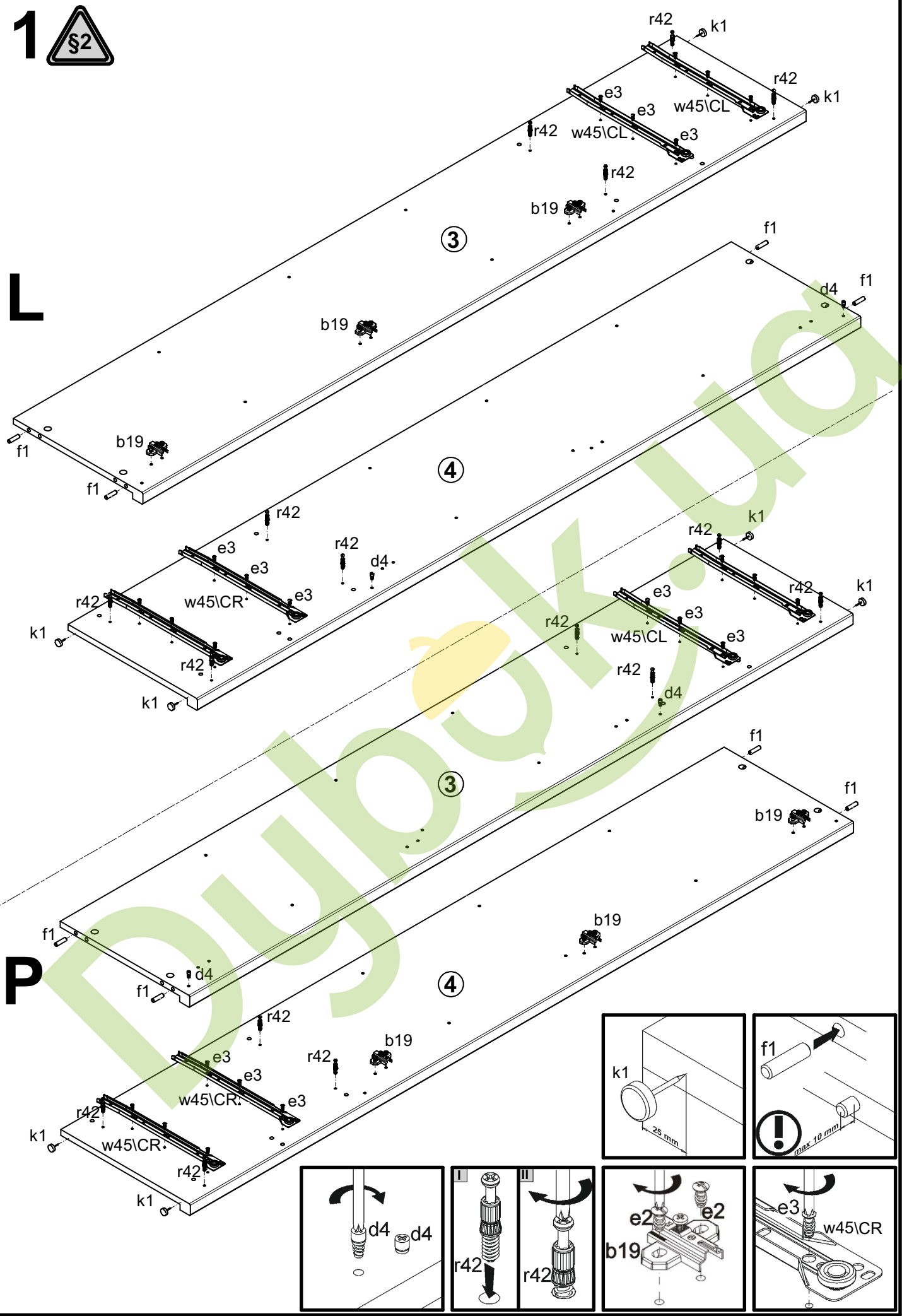


A	B	C	D	
1	S322-0007	494	196	3/4
2	S322-008	1440	494	4/4
3	S322-1109	1968	384	1/4
4	S322-1110	1968	384	1/4
5	S322-2304	584	395	2/4
6	S322-3304	500	381	2/4
7	S322-3305	499	357	2/4
8	S322-4405	500	60	2/4
9	S322-4406	500	80	2/4
10	S322-4407	500	80	2/4
11	S322-9909	471	355	2/4
12	S322-9910	1925	263	1/4
13	ZB-5507	451	120	2/4
14	BB-501	350	120	2/4
15	BB-502	350	120	2/4
16	Lh-1885	1885	14	1/4

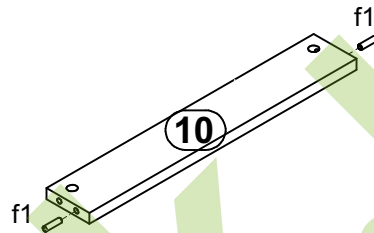
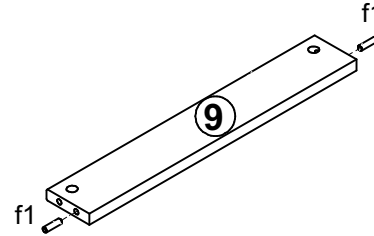
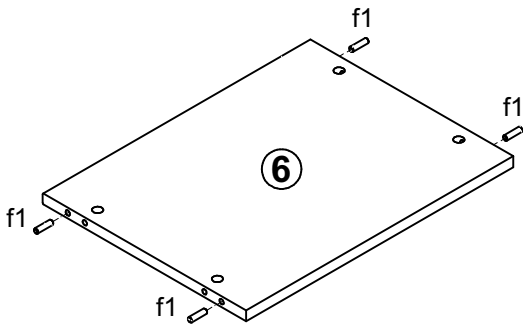
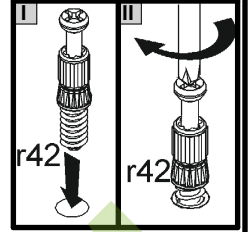
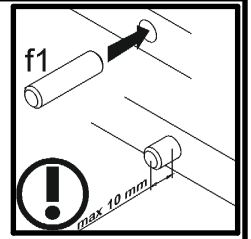
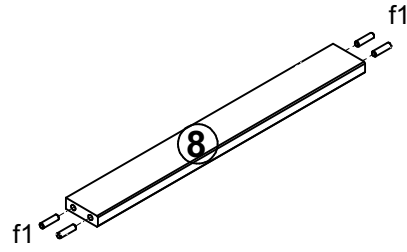
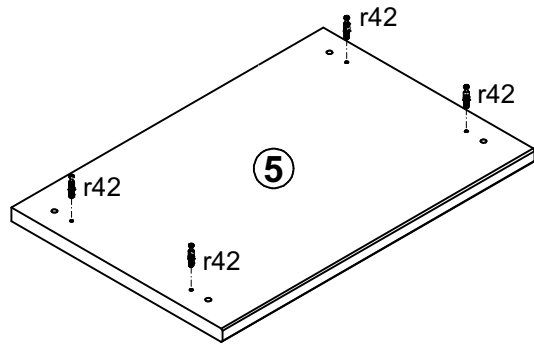


3x a43	6x b19	3x c415	12x d1 Ø5x17 mm	2x d4 Ø6,3x15 mm	12x e3 Ø6x13 mm	8x e19 Ø5x9 mm	20x f1 Ø8x30 mm	8x f25 Ø6,5x40 mm
2x j1 M4x20 mm	1x j30 M4x22 mm	4x k1	60x l1	8x p38 Ø3,5x16 mm	6x p51 Ø3,5x15 mm	20x r1 Ø15x12 mm #16	20x r42 20/11	2x w45\CL 350 mm
2x w45\CR 350 mm	2x w45\DL 350 mm	2x w45\DR 350 mm	4x s2 Ø16	1x n26\1	1x p38 Ø3,5x16 mm			

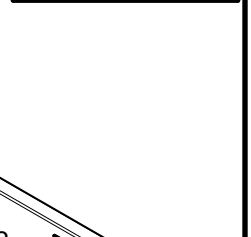
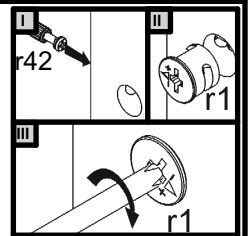
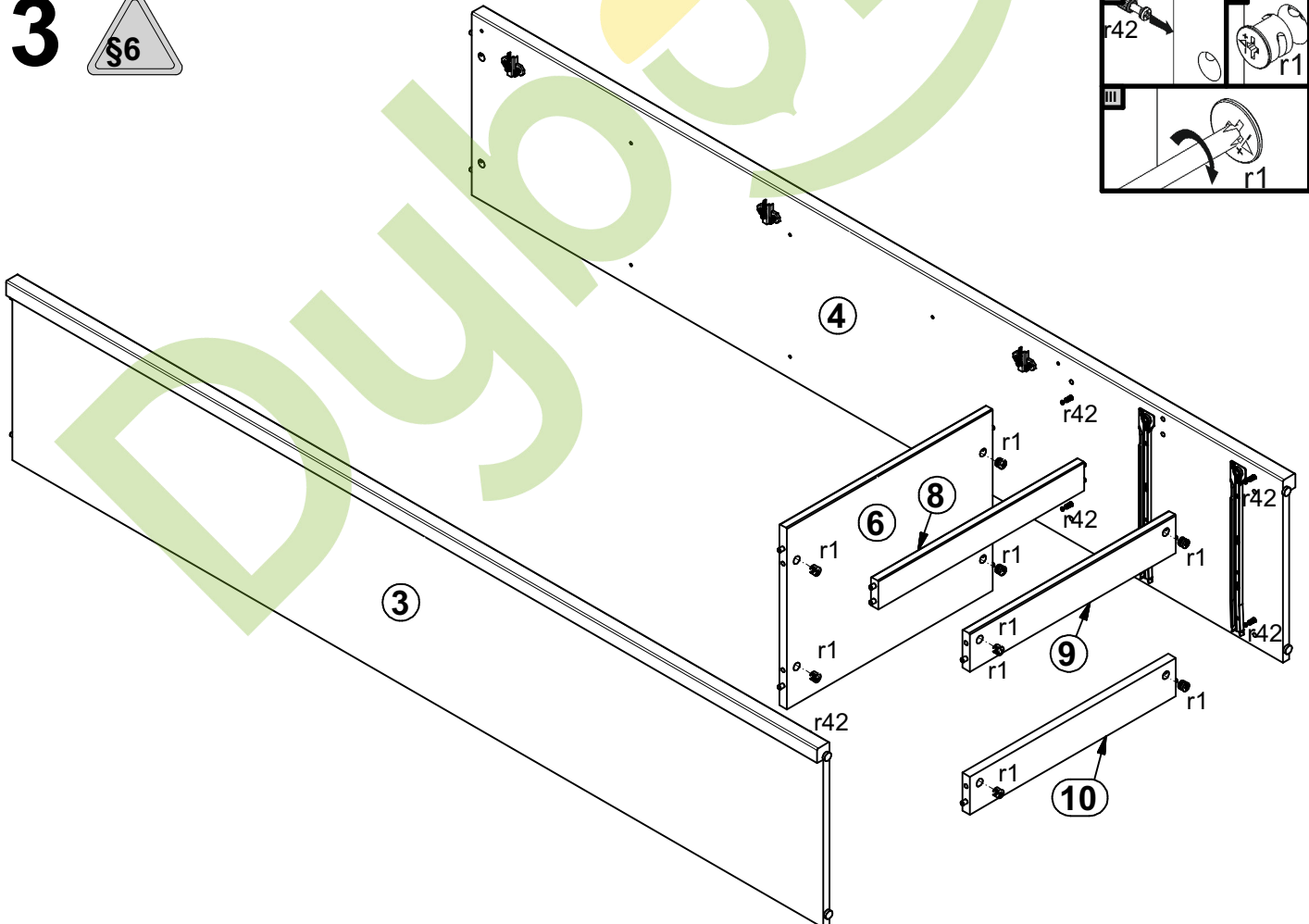
1 

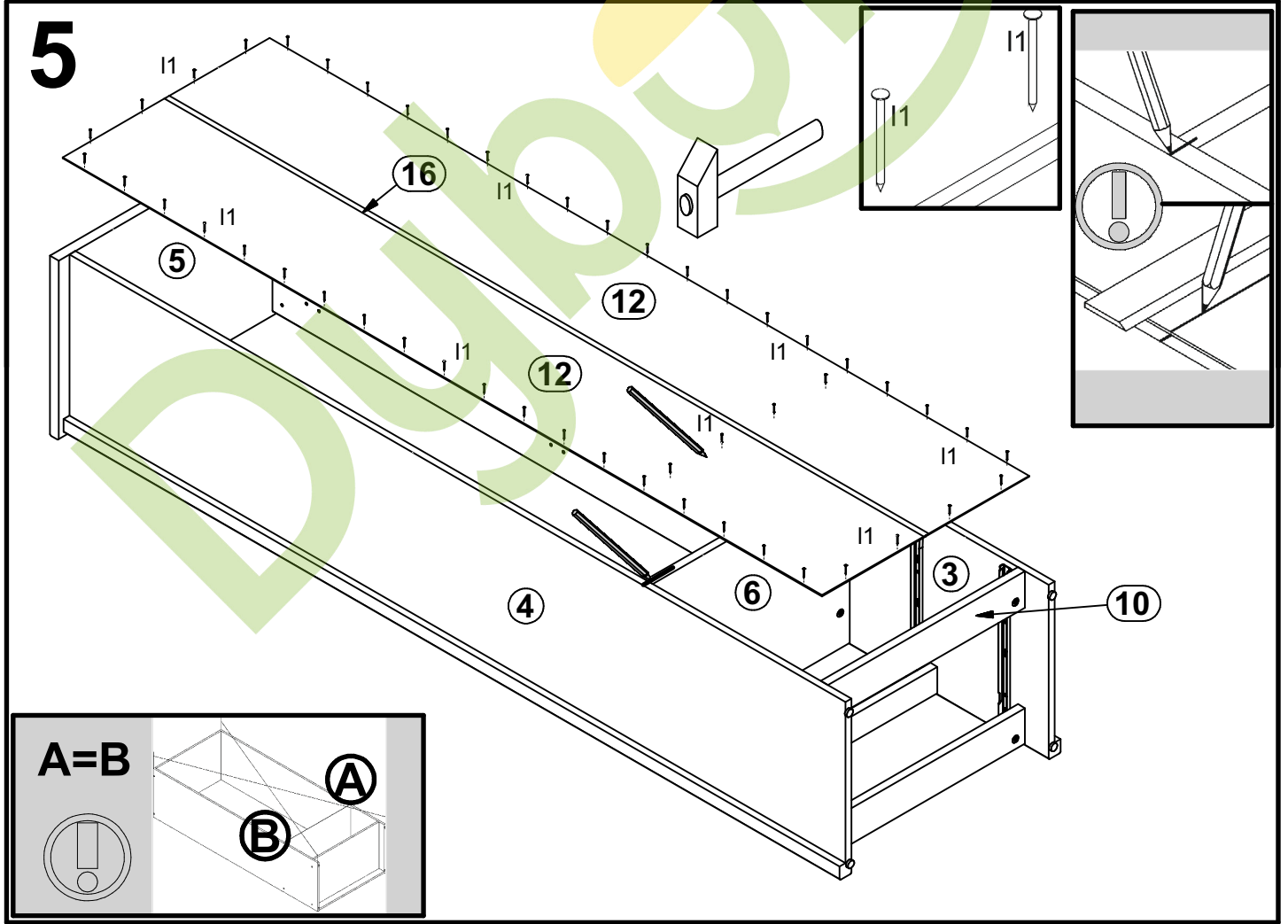
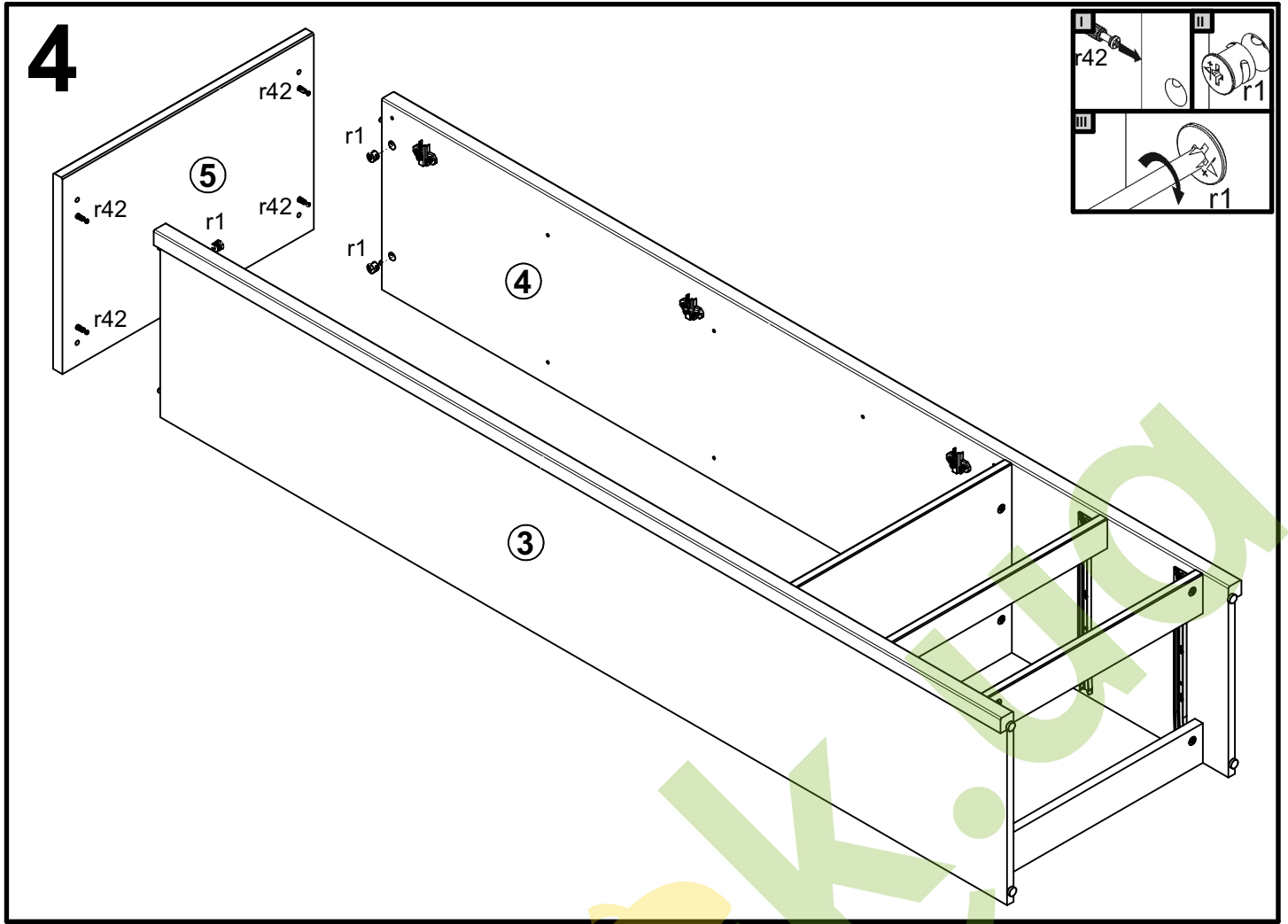


2

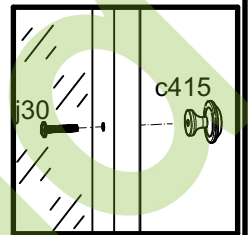
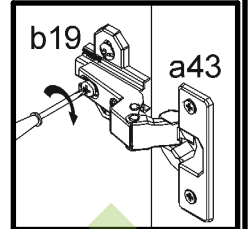
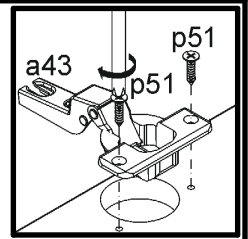
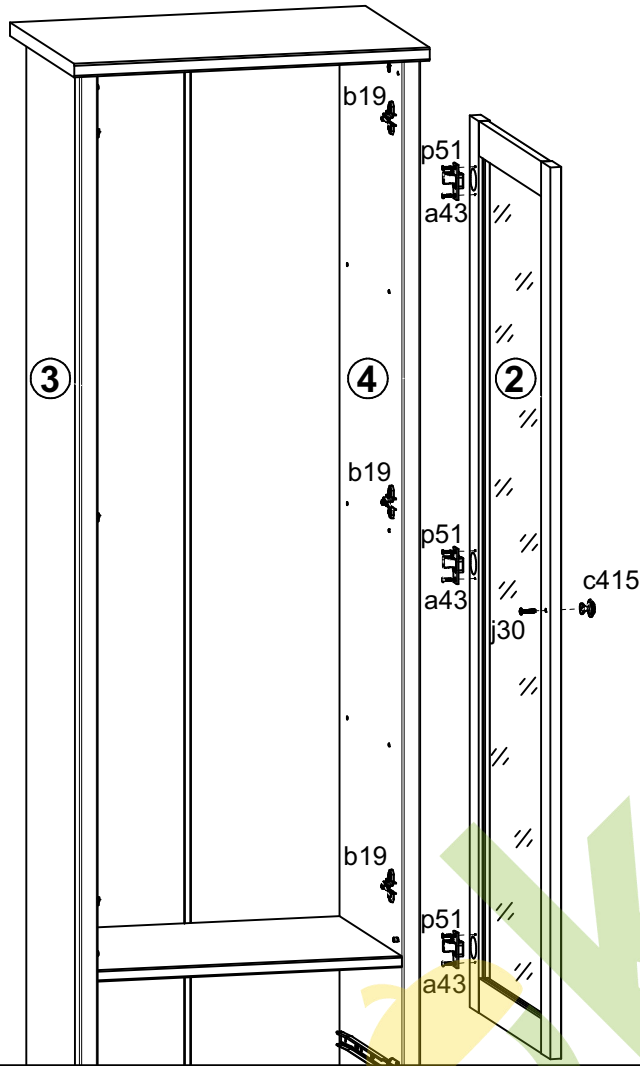


3

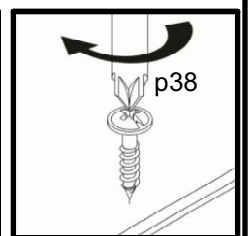
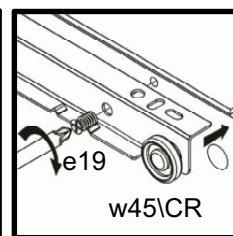
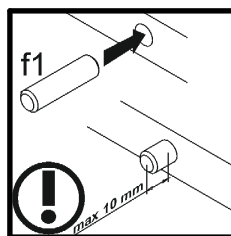
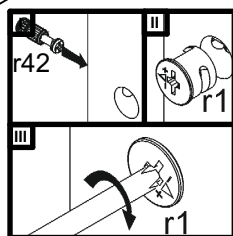
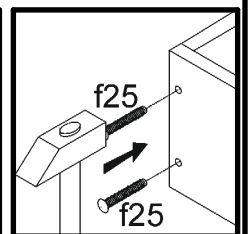
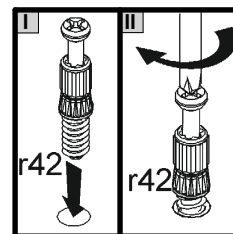
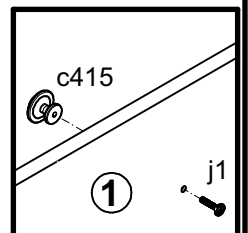
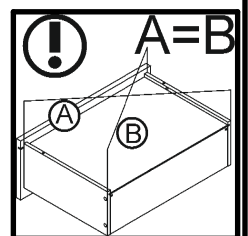
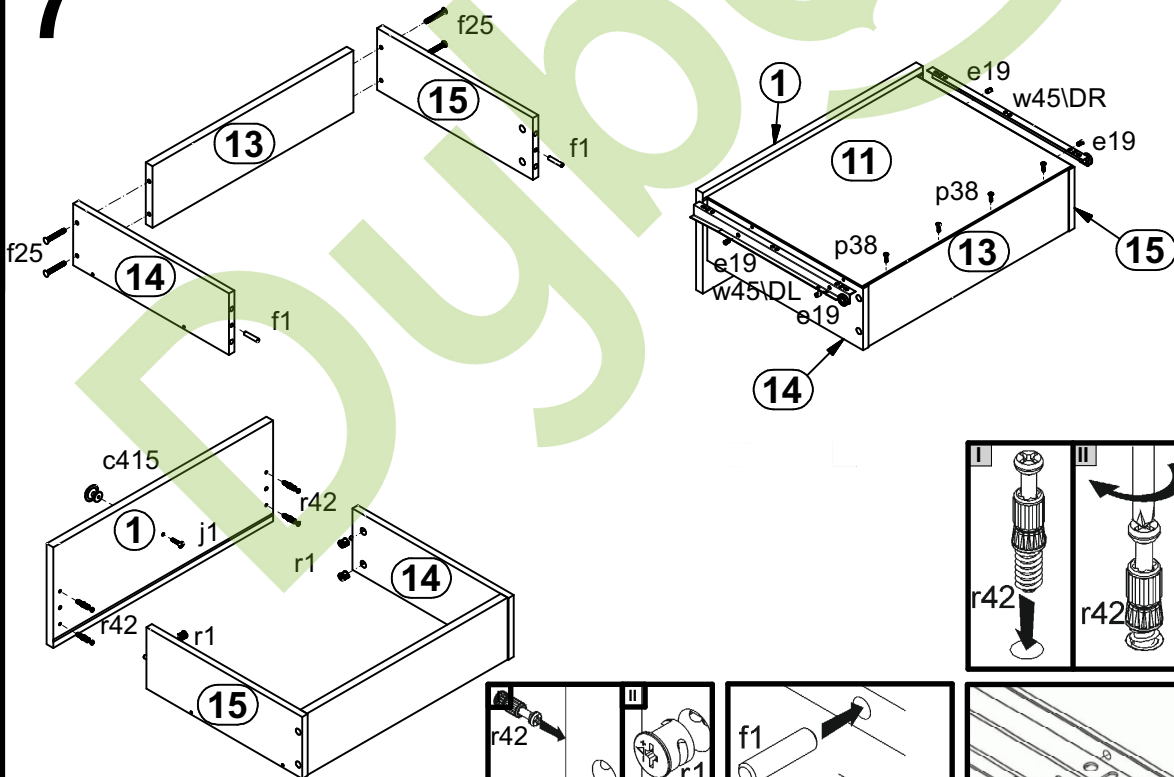




6



7



8

