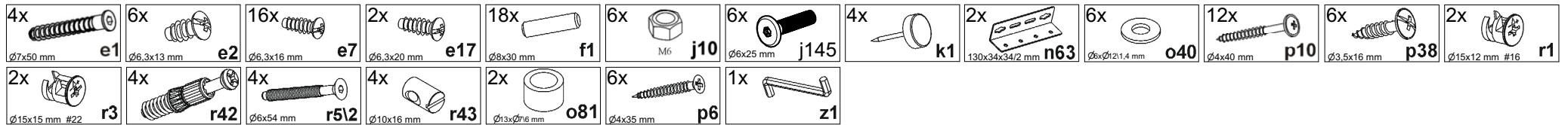
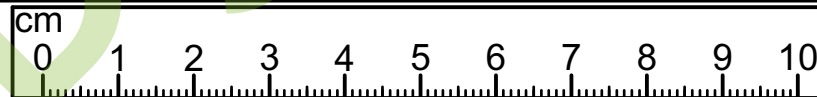
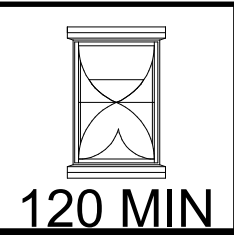
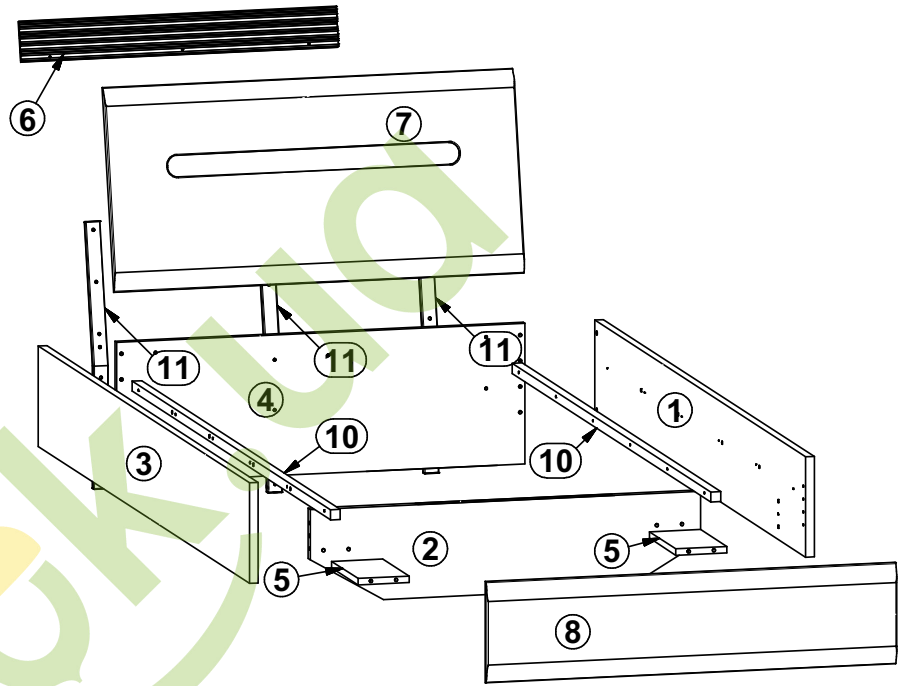
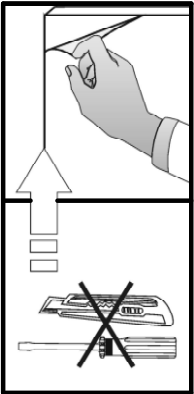
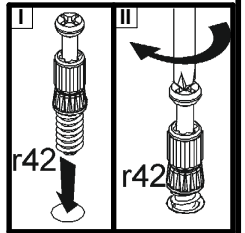
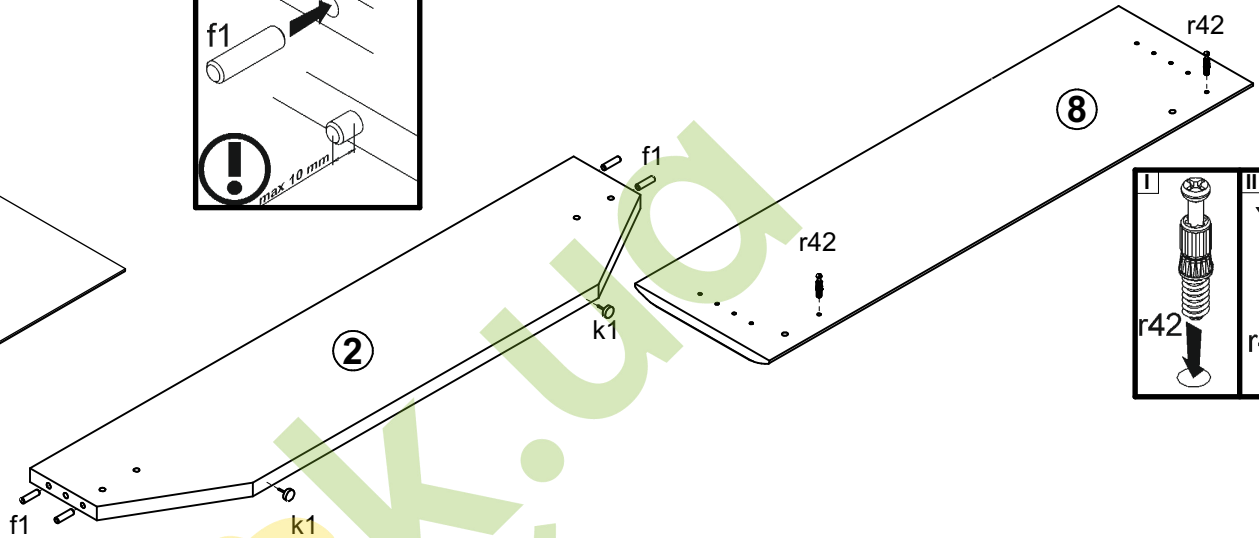
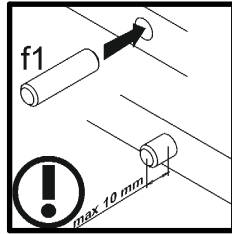
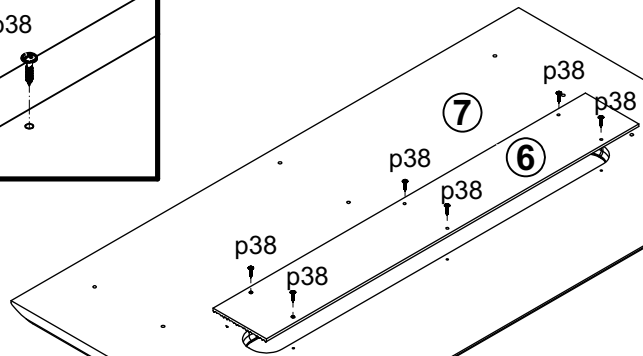
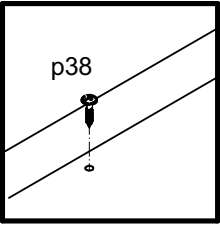


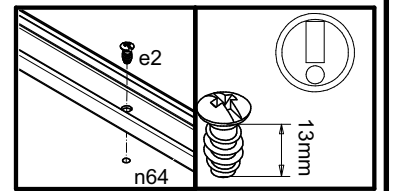
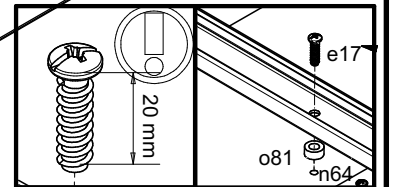
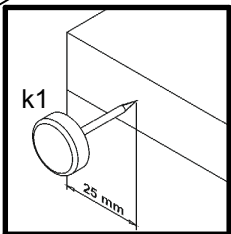
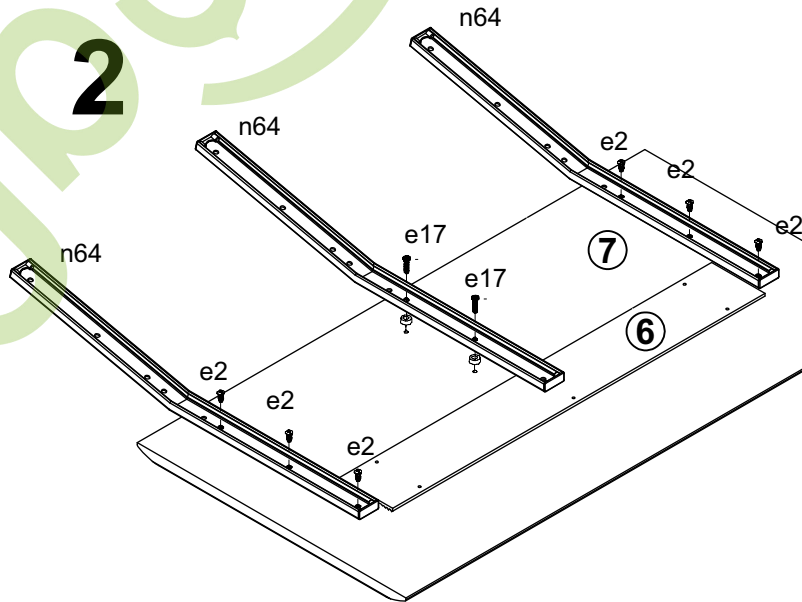
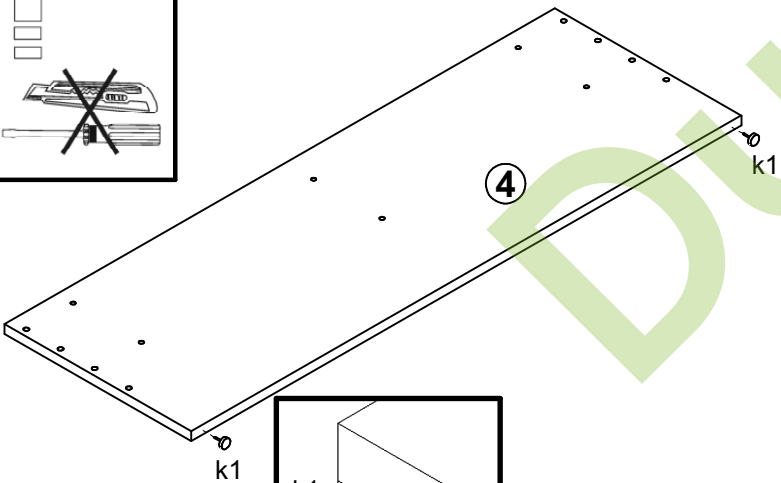
A	B	C (mm)		D
1	S205-134A	2000	250	1/3
2	S205-1181	900	232	2/3
3	S205-136	2000	250	1/3
4	S205-4421	946	350	2/3
5	S205-406A	250	130	1/3
6	S205-5586	697	100	3/3
7	S205-7755	950	503	3/3
8	S205-7751	950	252	3/3
9	ZZ1-504	1872	886	1/1
10	ZZ1-747	1880	25	1/3
11	n64			2/3



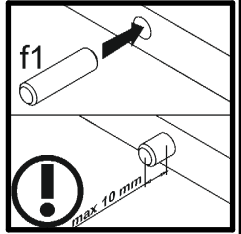
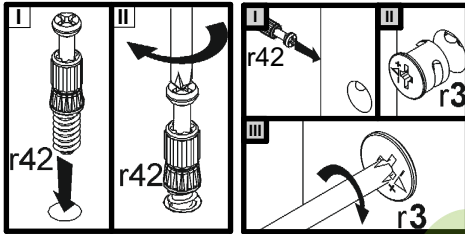
1  



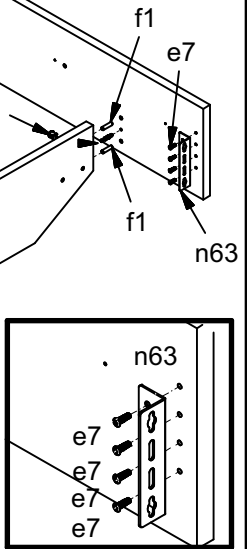
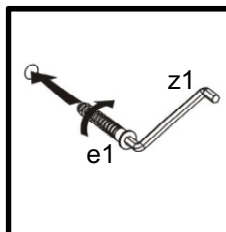
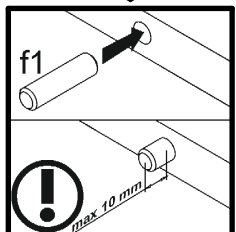
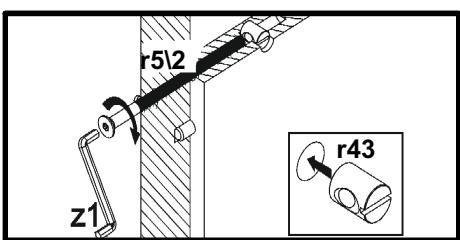
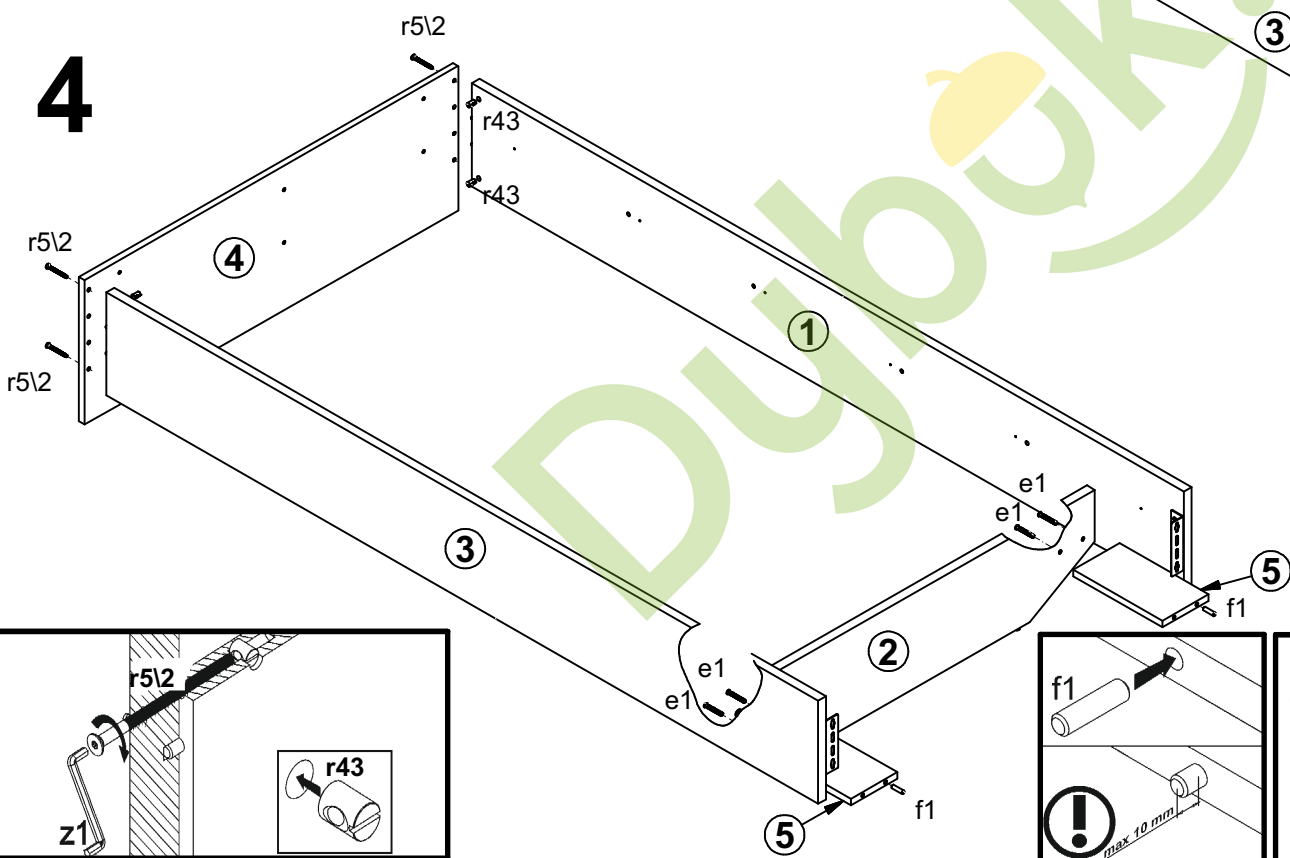
2



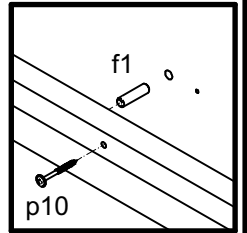
3



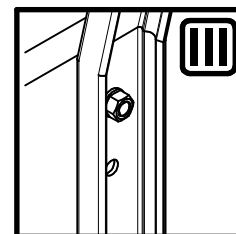
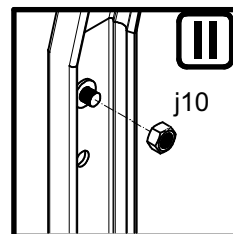
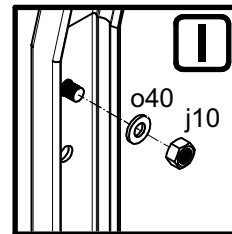
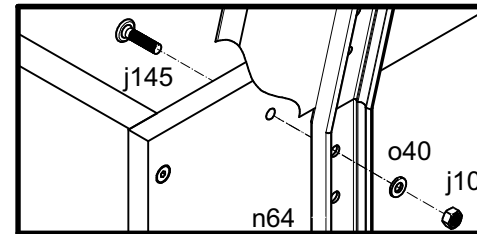
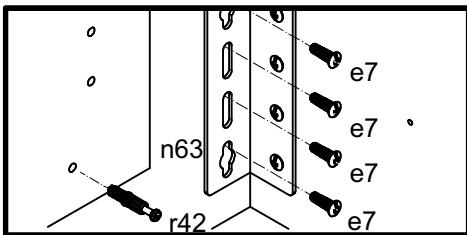
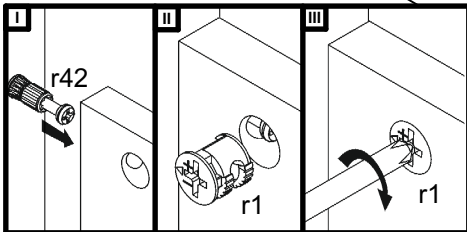
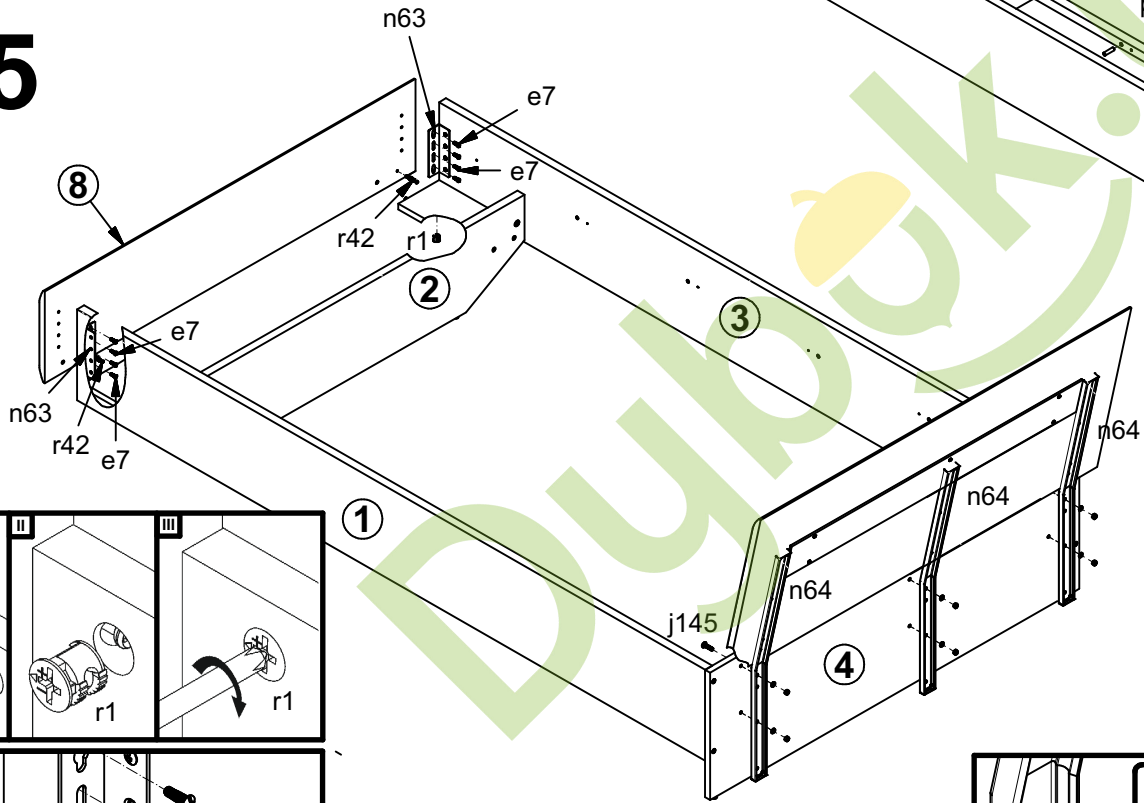
4



6



5



7

