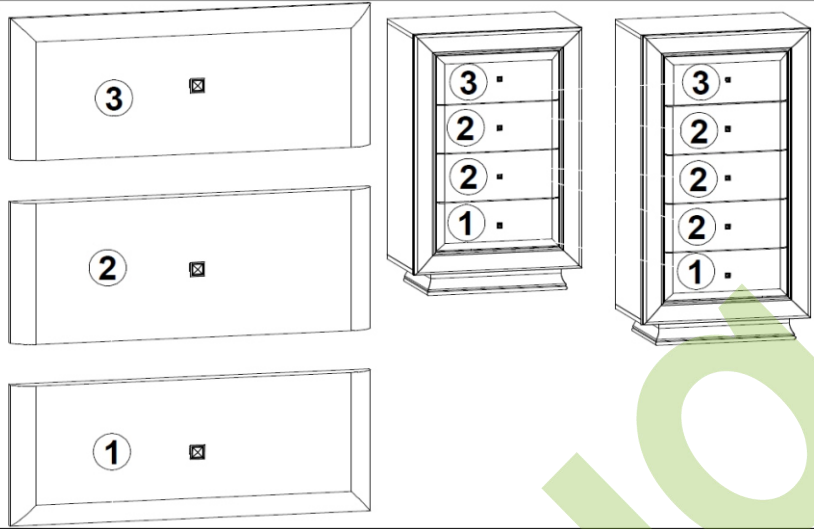


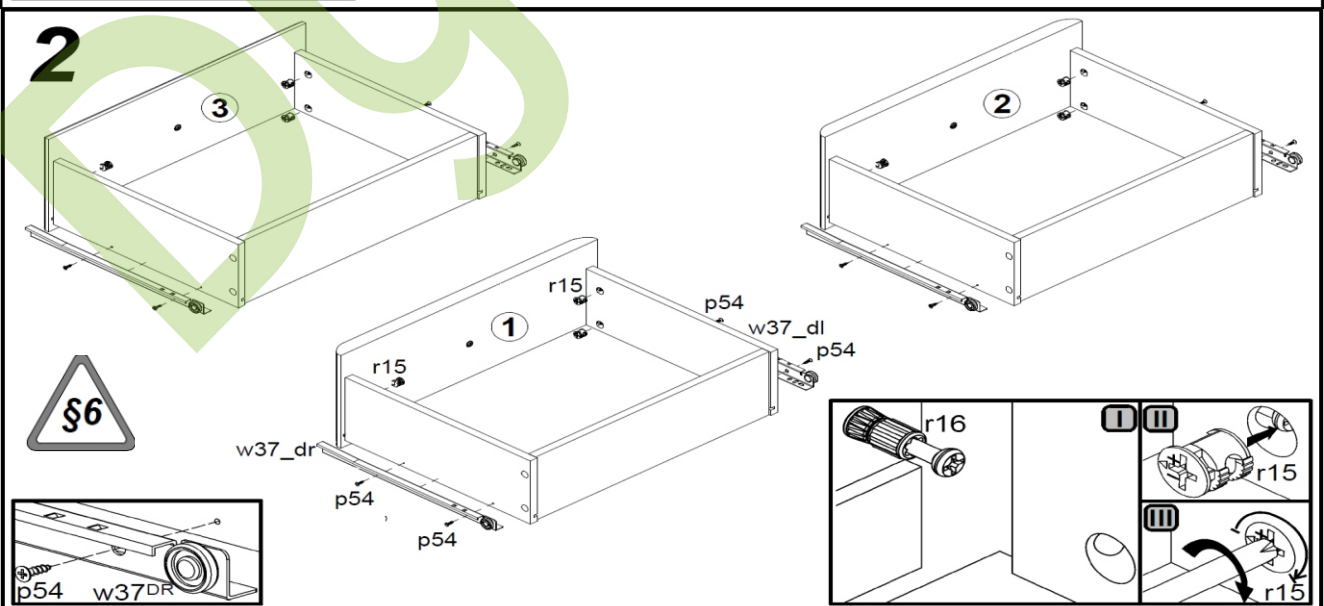
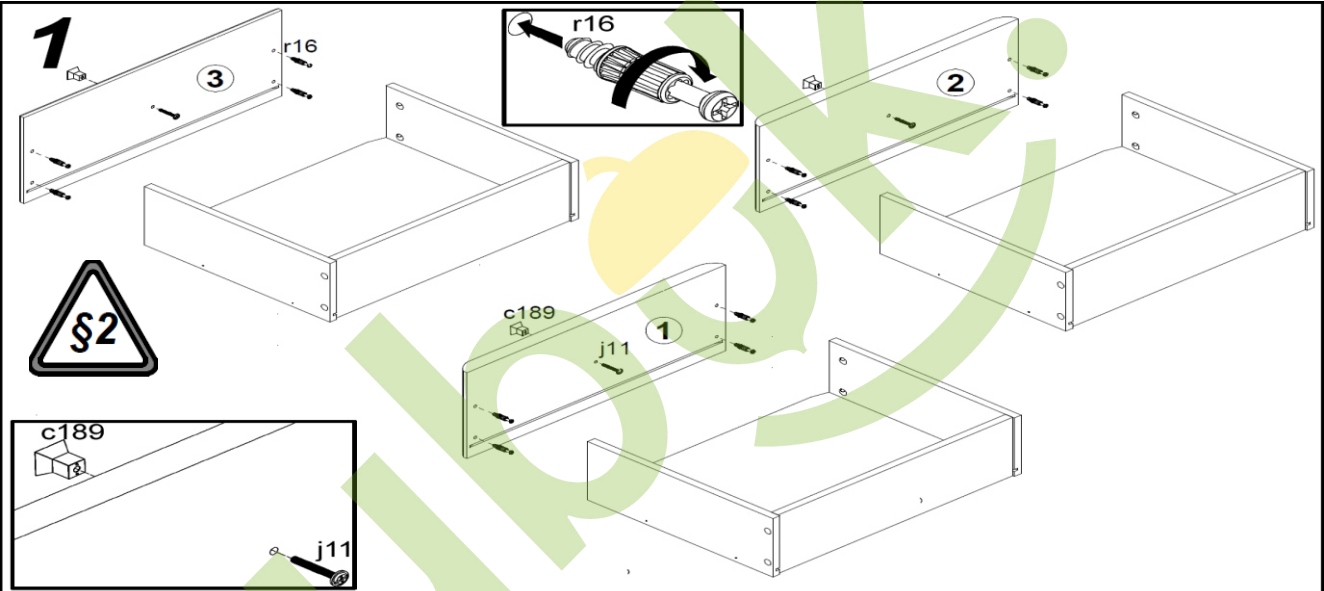
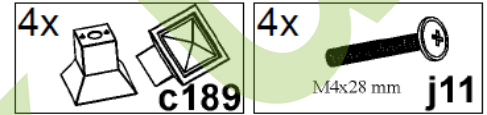
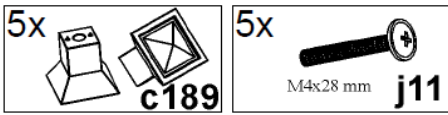
# LARGO ClassicKOM4S/6; KOM5S/6

A	B	C	D	
1	S56-010	446	176	5/5
2	S56-011	446	176	5/5
3	S56-012	446	176	5/5



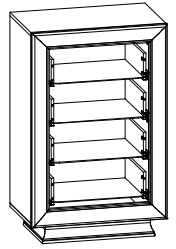
## KOM5S/6

## KOM4S/6

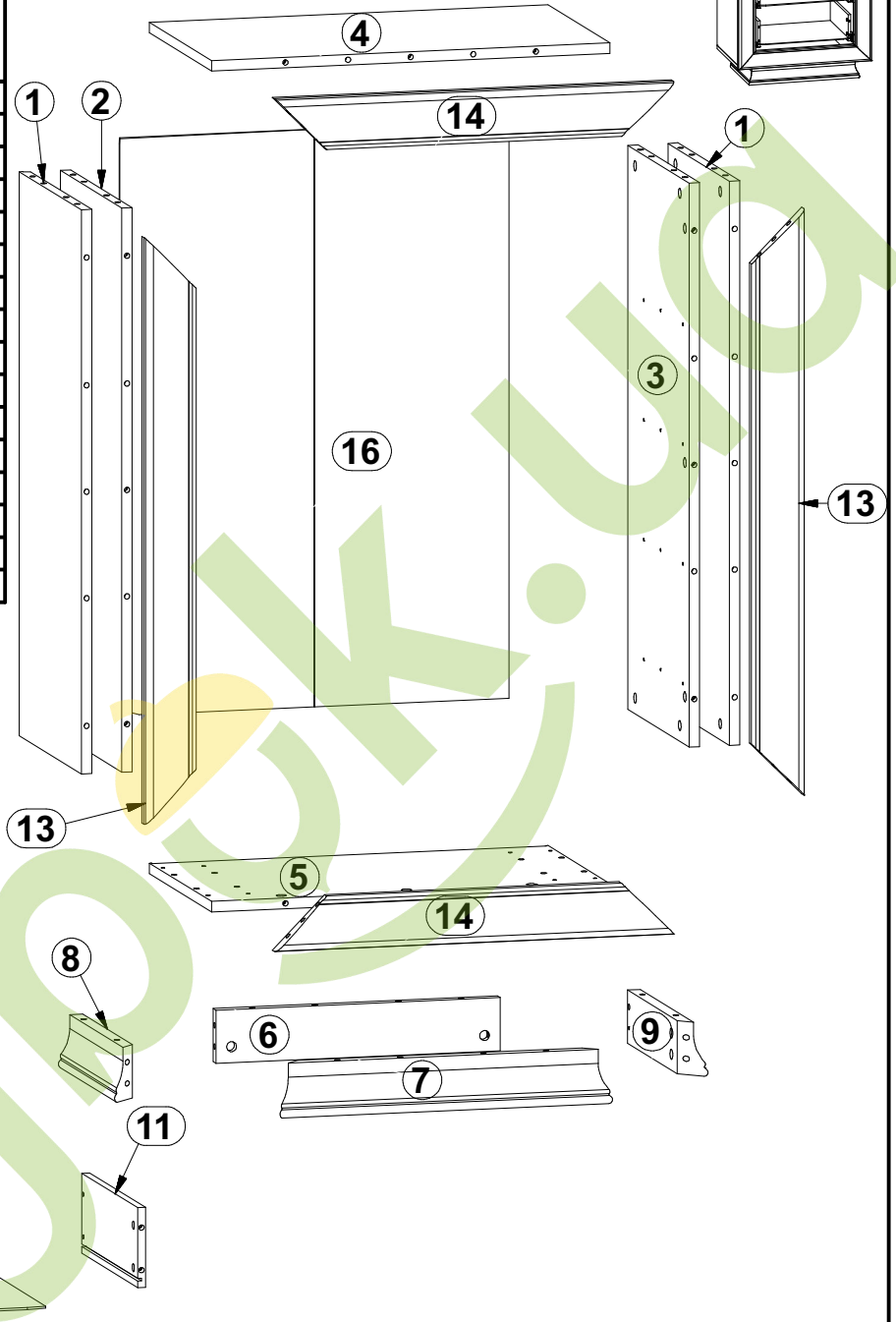


# LARGO Classic

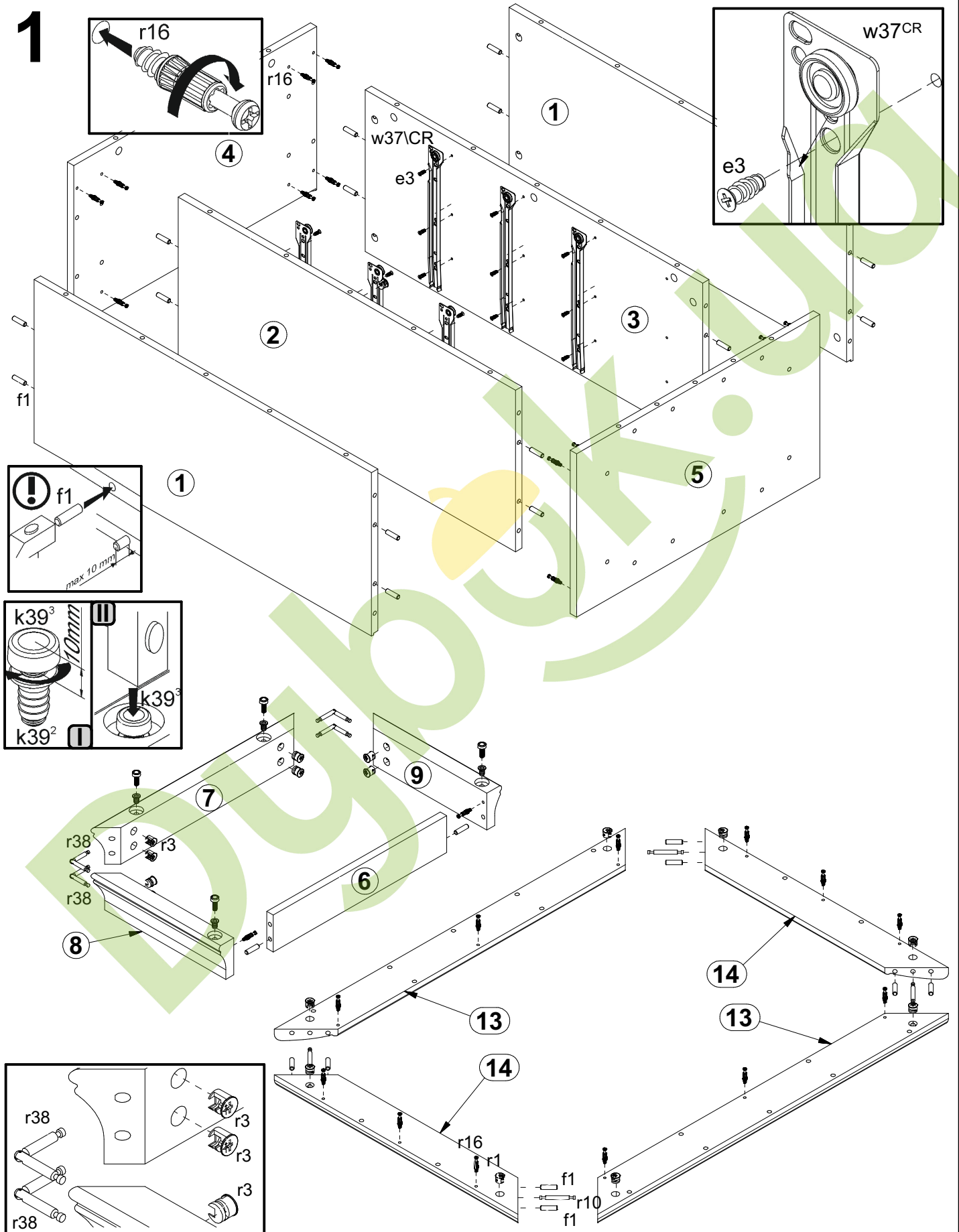
## KOM4S/6



A	B	C	D	
1	S56-1101	848	351	1/5
2	S56-102	848	351	1/5
3	S56-103	848	351	1/5
4	S56-2201	611	351	2/5
5	S56-2202	611	351	2/5
6	S56-402	436	80	2/5
7	S56-451	510	80	4/5
8	S56-452	322	80	4/5
9	S56-453	322	80	4/5
10	S56-501	320	120	2/5
11	S56-502	320	120	2/5
12	S56-504	405	120	1/5
13	S56-570	882	80	3/5
14	S56-571	612	80	3/5
15	S56-901	416	318	2/5
16	S56-9950	868	597	1/5



24x φ6x13 mm e3	56x φ8x30 mm f1	16x φ6.5x40 mm f25	4x M6φ9x14 mm k39 <sup>2</sup>	4x M6φ22mm k39 <sup>3</sup>	30x l1	16x φ3x12 mm p54	38x φ15x12mm #16 r1	8x φ15x15mm #22 r3
4x r10	16x φ12x10.5mm #12 r15	46x r16	4x r38	4x 300 mm w37 <sup>CL</sup>	4x 300 mm w37 <sup>CR</sup>	4x 300 mm w37 <sup>DL</sup>	4x 300 mm w37 <sup>DR</sup>	1x GLUE y1
1x z1	1x n26 <sup>1</sup>	1x φ3.5x16 mm p38						





2

