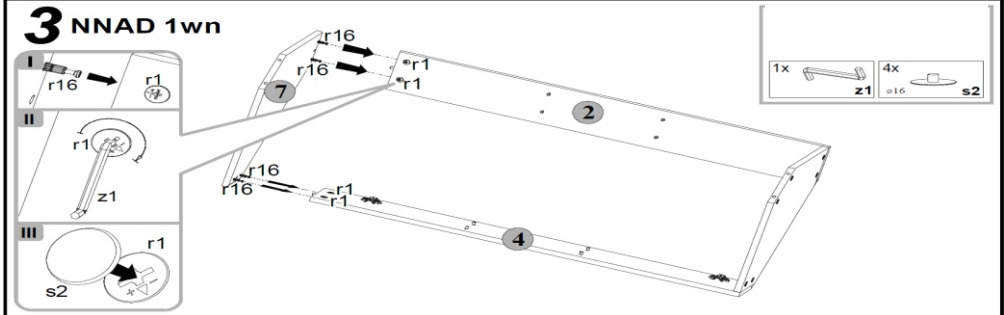
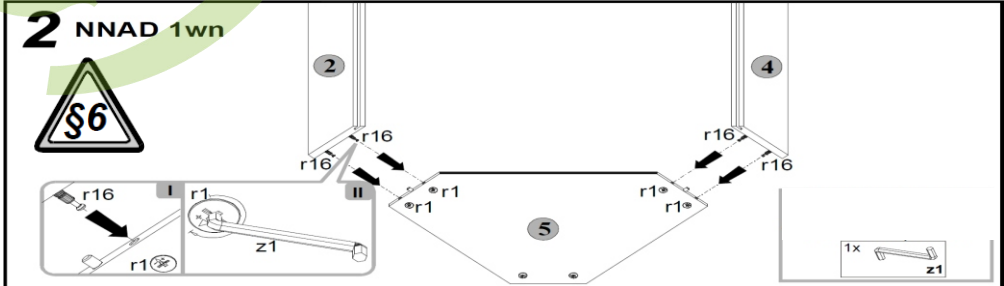
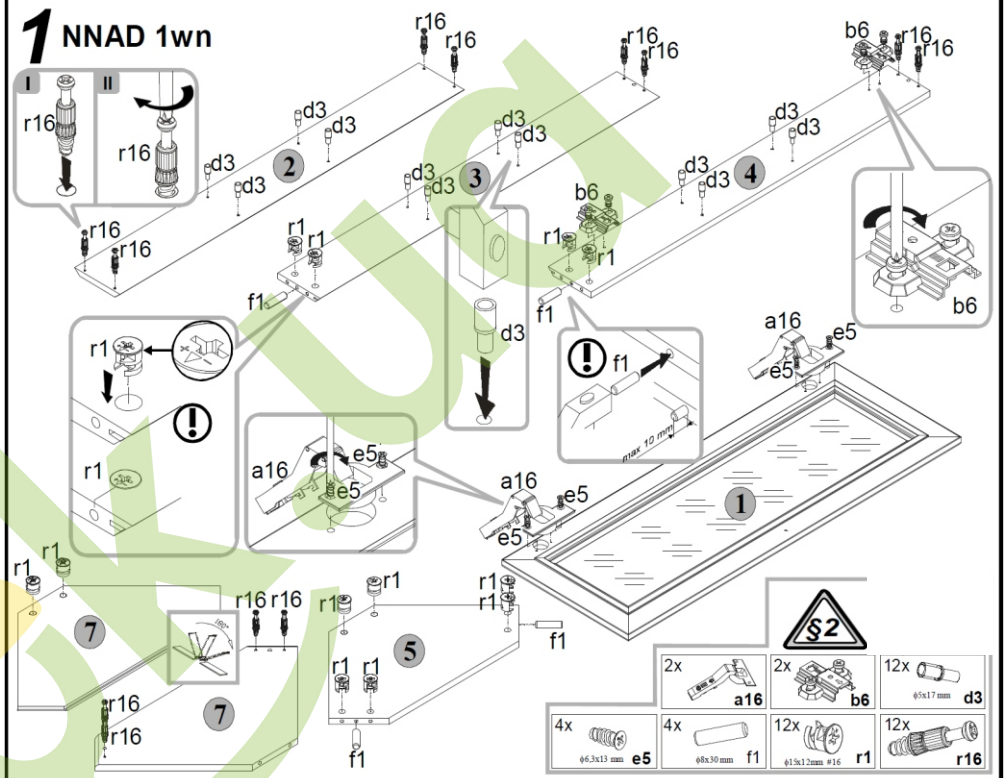
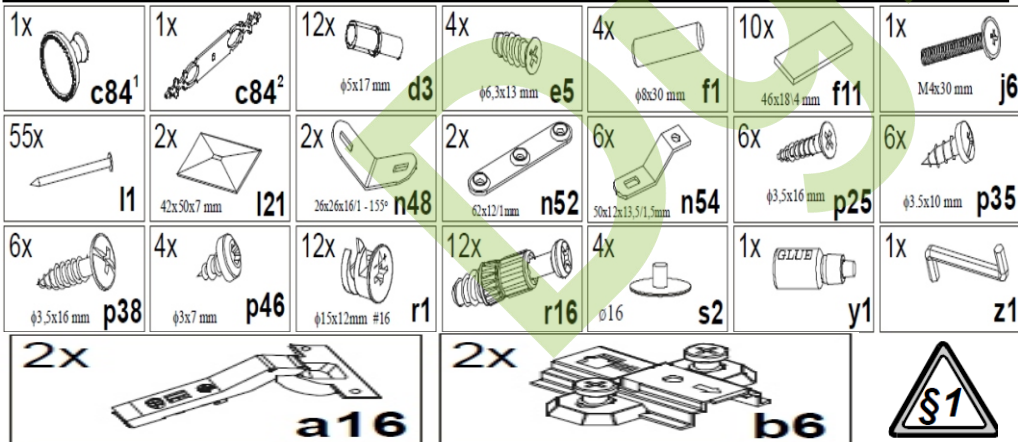
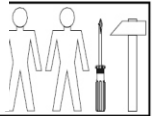
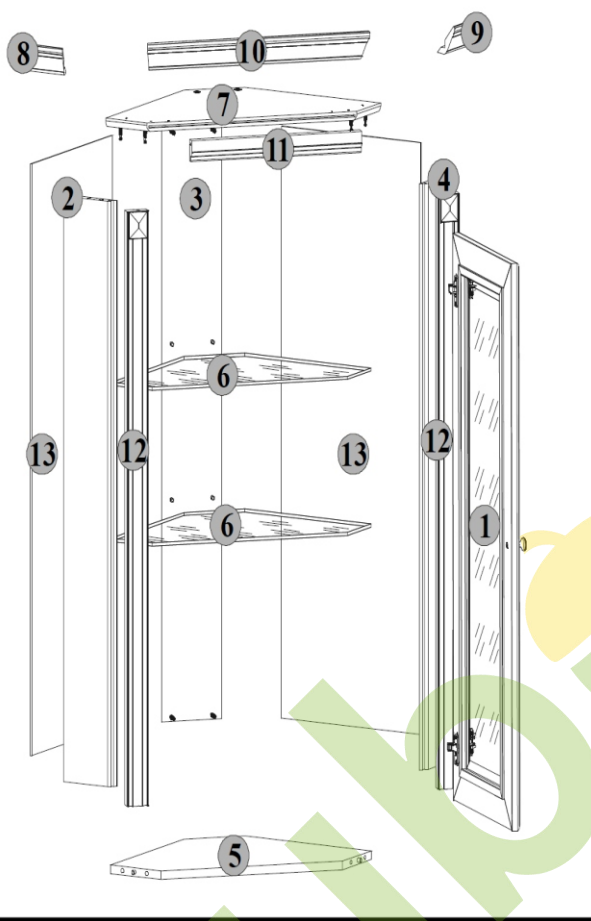


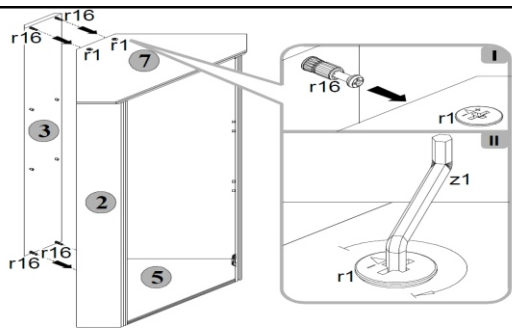
# STYLIUS

## NNAD 1wn

A	B	C	D
1	1042x396	S21-043	4/4
2	1078x131	S21-140	1/4
3	1094x142	S21-144	1/4
4	1078x131	S21-141	1/4
5	434x434	S21-327	1/4
6	433x433	S21-1551	3/4
7	458x458	S21-238	1/4
8	138x79	S21-1592	2/4
9	138x79	S21-1593	2/4
10	524x79	S21-1594	2/4
11	400x40	S21-598	2/4
12	1094x50	S21-597	2/4
13	1089x366	S21-941	1/4

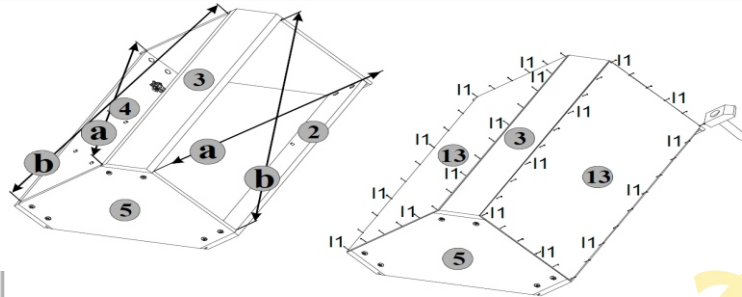
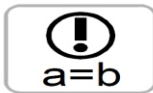


#### 4 NNAD 1wn



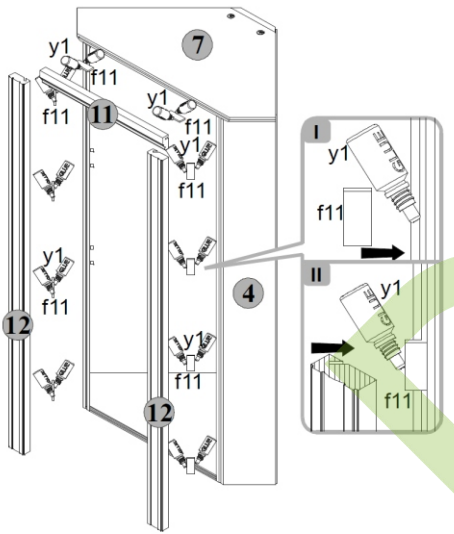
1x z1

#### 5 NNAD 1wn



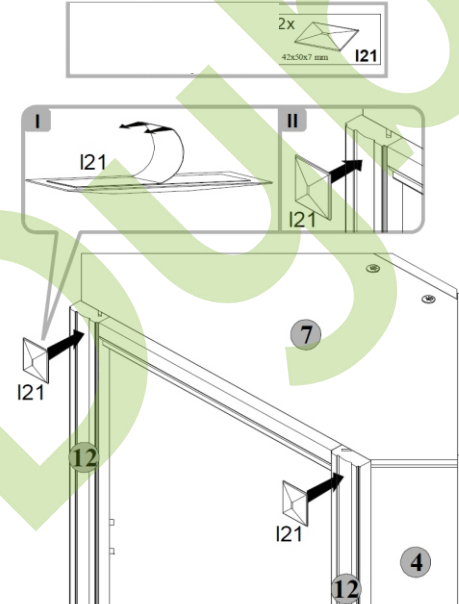
55x I1

#### 6 NNAD 1wn

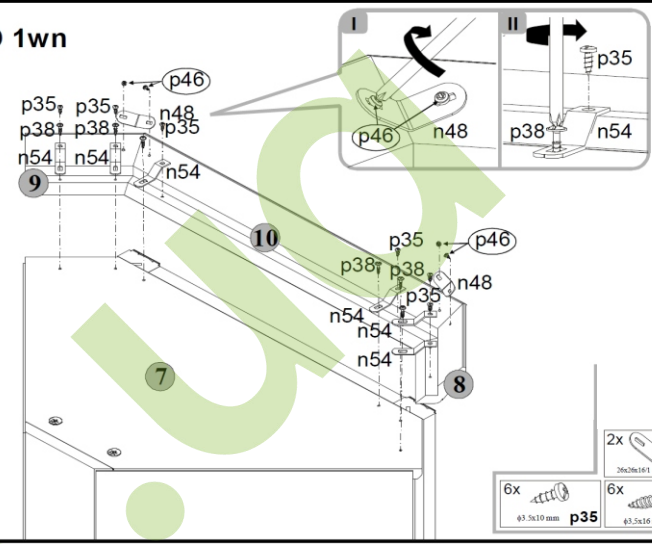


10x 46x184 mm f11  
1x GLUE y1

#### 7 NNAD 1wn

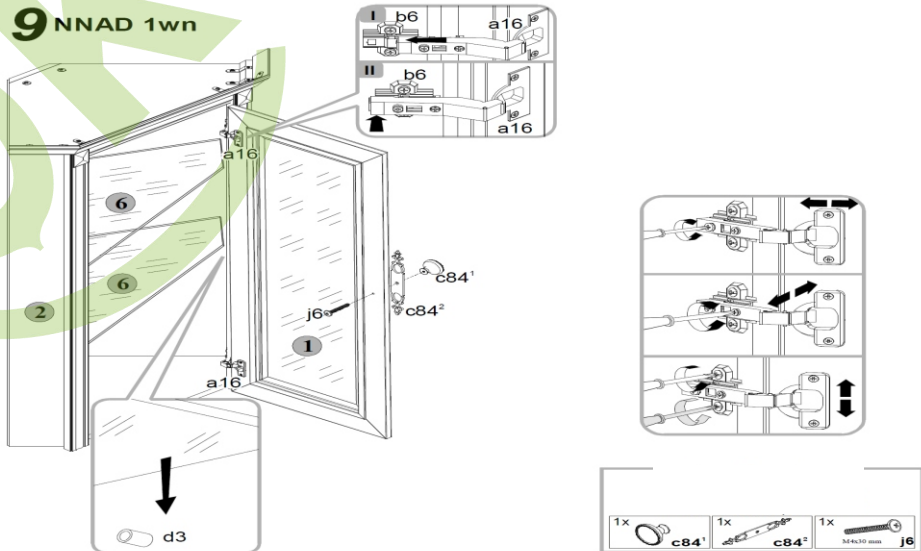


#### 8 NNAD 1wn



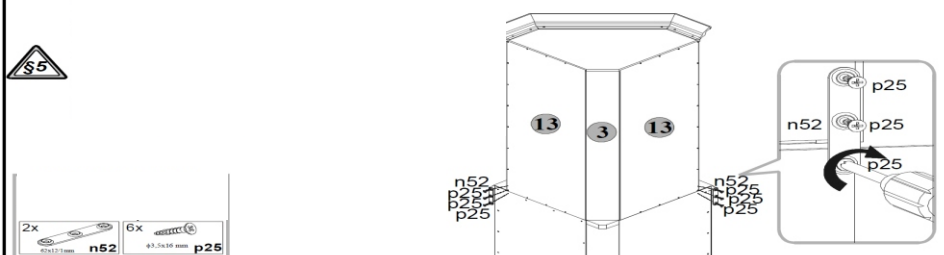
2x 26x36/161-131° n48  
6x 34x10 mm n54  
6x 43.5x16 mm p35  
6x 43.5x16 mm p38  
6x 43x7 mm p46

#### 9 NNAD 1wn



1x c84^1  
1x c84^2  
1x 34x10 mm j6

#### 10 NNAD 1wn



2x 40x117 mm n52  
6x 43.5x16 mm p25