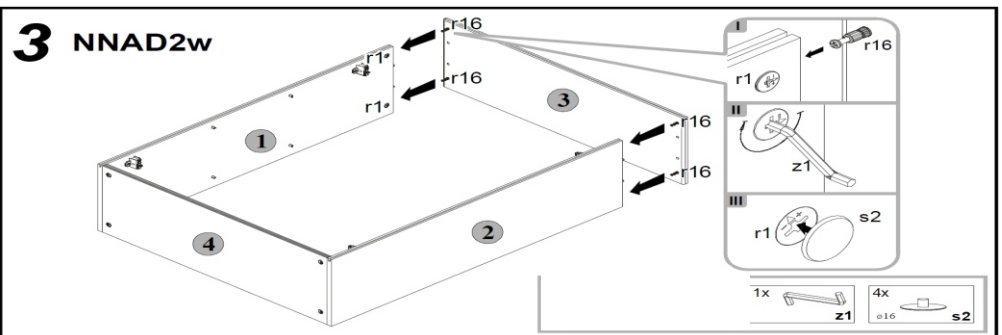
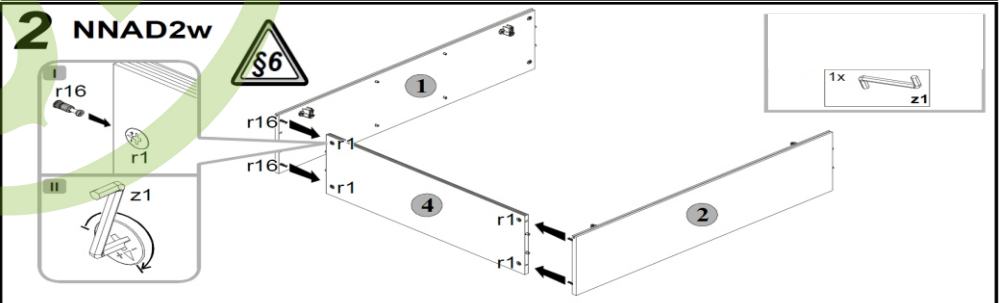
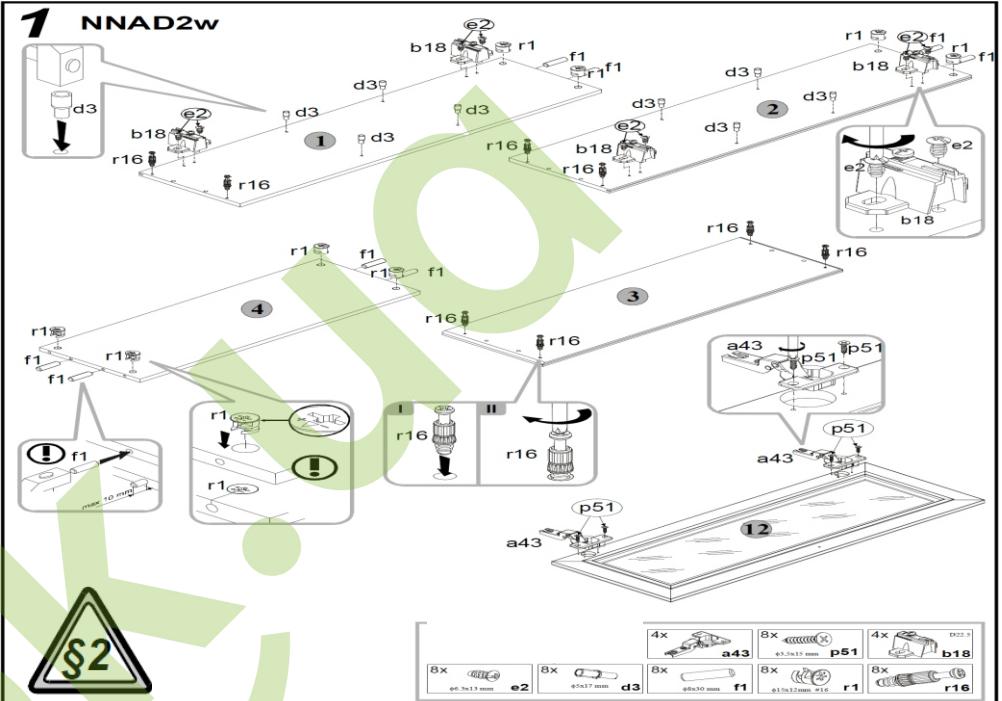
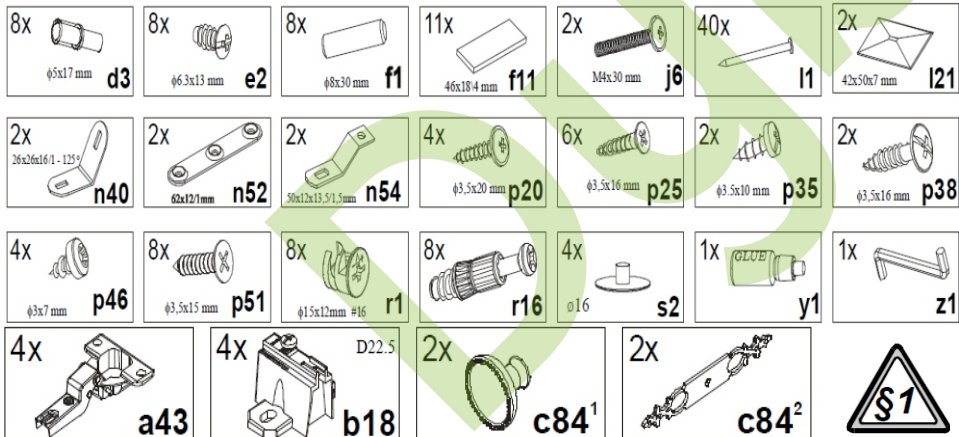
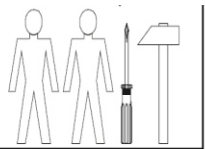
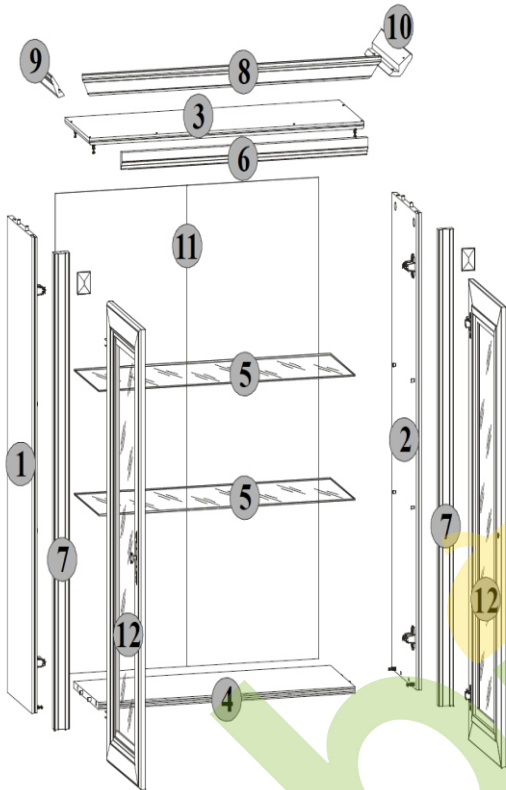


# STYLIUS

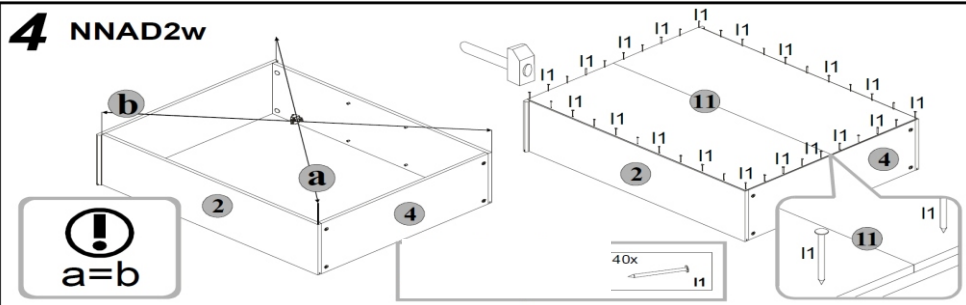
## NNAD 2w

A	B	C	D
1	1078x300	S21-114	1/3
2	1078x300	S21-115	1/3
3	896x300	S21-219	1/3
4	832x300	S21-312	1/3
5	830x282	S21-554	2/3
6	798x40	S21-581	1/3
7	1094x50	S21-582	1/3
8	971x79	S21-1575	1/3
9	359x79	S21-1580	1/3
10	359x79	S21-1581	1/3
11	1089x857	S21-915	1/3
12	1042x396	S21-018	3/3

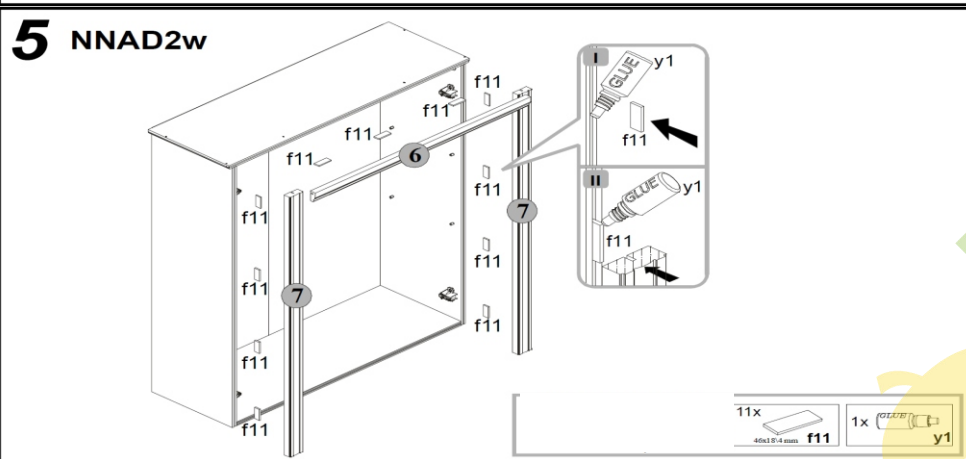


P28-S21-NNAD\_2w-M\_IN8-KOR02

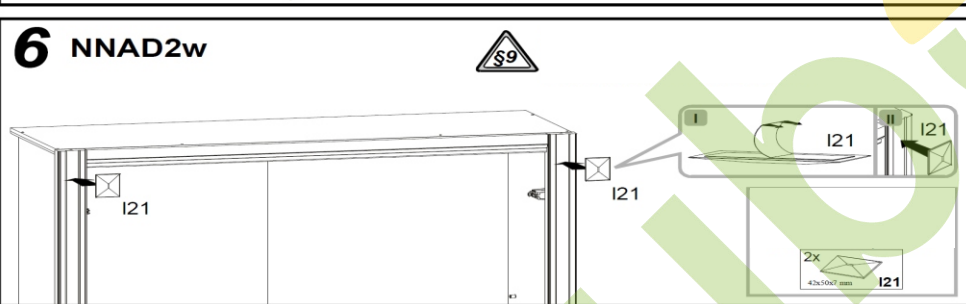
#### 4 NNAD2w



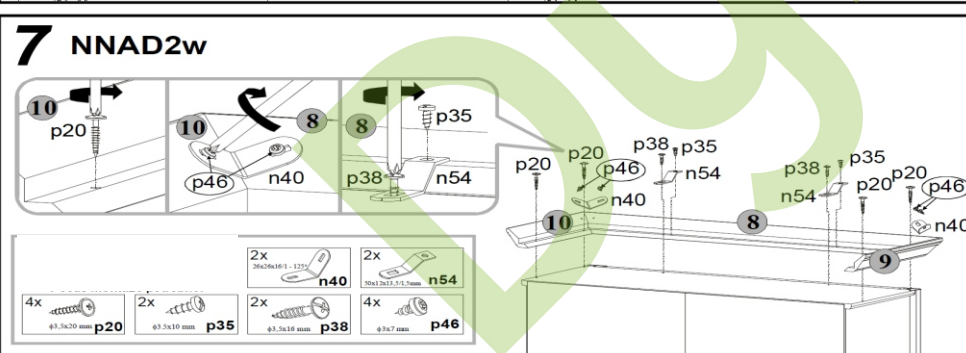
#### 5 NNAD2w



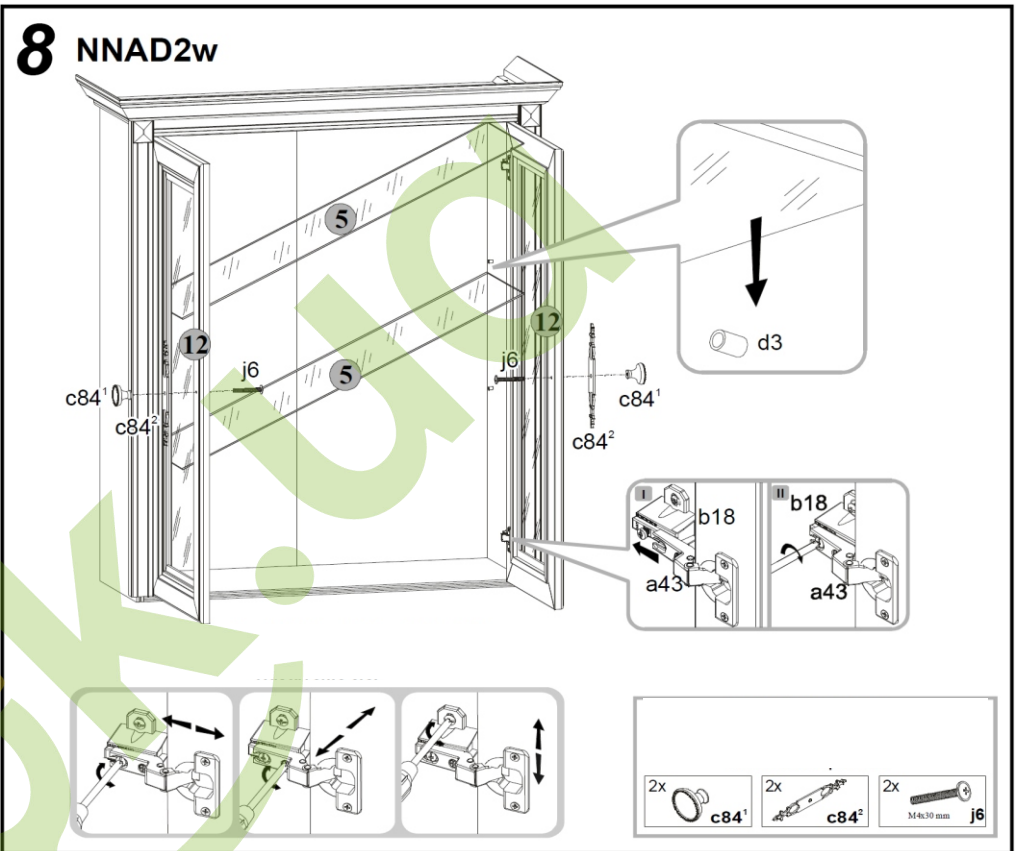
#### 6 NNAD2w



#### 7 NNAD2w



#### 8 NNAD2w



#### 9 NNAD2w

