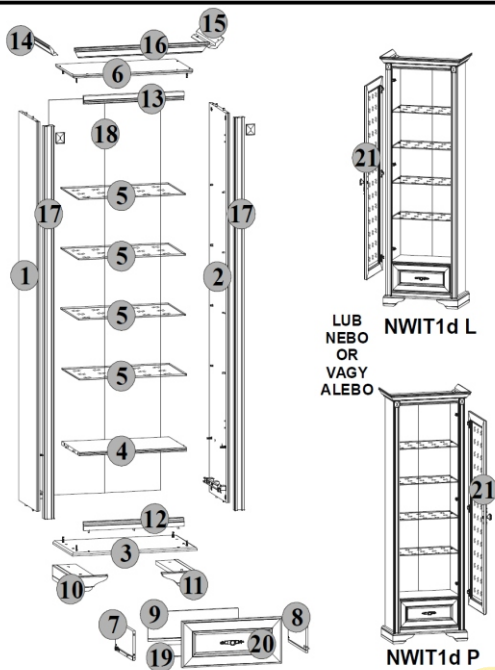


STYLIUS NWIT 1d

A	B	C	D
1	1857x328	S21-104	1/7
2	1857x328	S21-105	1/7
3	623x361	S21-208	2/7
4	534x328	S21-305	1/7
5	532x310	S21-553	3/7
6	598x328	S21-209	2/7
7	320x140	S21-504	1/7
8	320x140	S21-505	1/7
9	449x140	S21-509	1/7
10	180x365	S21-2575	5/7
11	180x365	S21-2576	5/7
12	500x40	S21-579	4/7
13	500x40	S21-578	4/7
14	387x79	S21-1571	4/7
15	387x79	S21-1572	4/7
16	673x79	S21-1574	4/7
17	1873x50	S21-573	4/7
18	1884x561	S21-908	1/7
19	460x318	S21-909	1/7
20	496x221	S21-011	7/7
21	1564x496	S21-013	6/7



LUB
NEBO
OR
VAGY
ALEBO

NWIT1d L

NWIT1d P



3x a43	3x b18 D22.5	2x c84 ¹	2x c84 ²	16x d3 $\phi 5 \times 7$ mm	6x e2 $\phi 6 \times 13$ mm	6x e16 $\phi 6 \times 30$ mm
4x e19 $\phi 5 \times 9$ mm	4x e22 $\phi 7 \times 28$ mm	15x f1 $\phi 8 \times 9$ mm	14x f11 $46 \times 18 \times 4$ mm	4x f25 $\phi 6 \times 40$ mm	1x j6 M4x30 mm	1x j29 M4x14 mm
55x l1	2x l21 $42 \times 50 \times 7$ mm	2x n40 $262 \times 6 \times 161 - 125$	2x n54 $50 \times 1 \times 13.5 \times 1.5$ mm	8x p20 $\phi 3.5 \times 20$ mm	2x p35 $\phi 3.5 \times 10$ mm	2x p38 $\phi 3.5 \times 16$ mm
4x p46 $\phi 3 \times 7$ mm	6x p51 $\phi 3.5 \times 15$ mm	12x r1 $\phi 1.5 \times 12$ mm #16	4x r15 $\phi 1.2 \times 10.5$ mm #12	16x r16 $\phi 1.6$	4x s2 $\phi 1.6$	6x w36 $l=18$ mm
1x W37 DR 300 mm	1x W37 DL 300 mm	1x W37 CR 300 mm	1x W37 CL 300 mm	1x y1 GLUE	1x z1	

2 NWIT 1d

