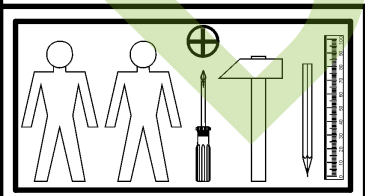
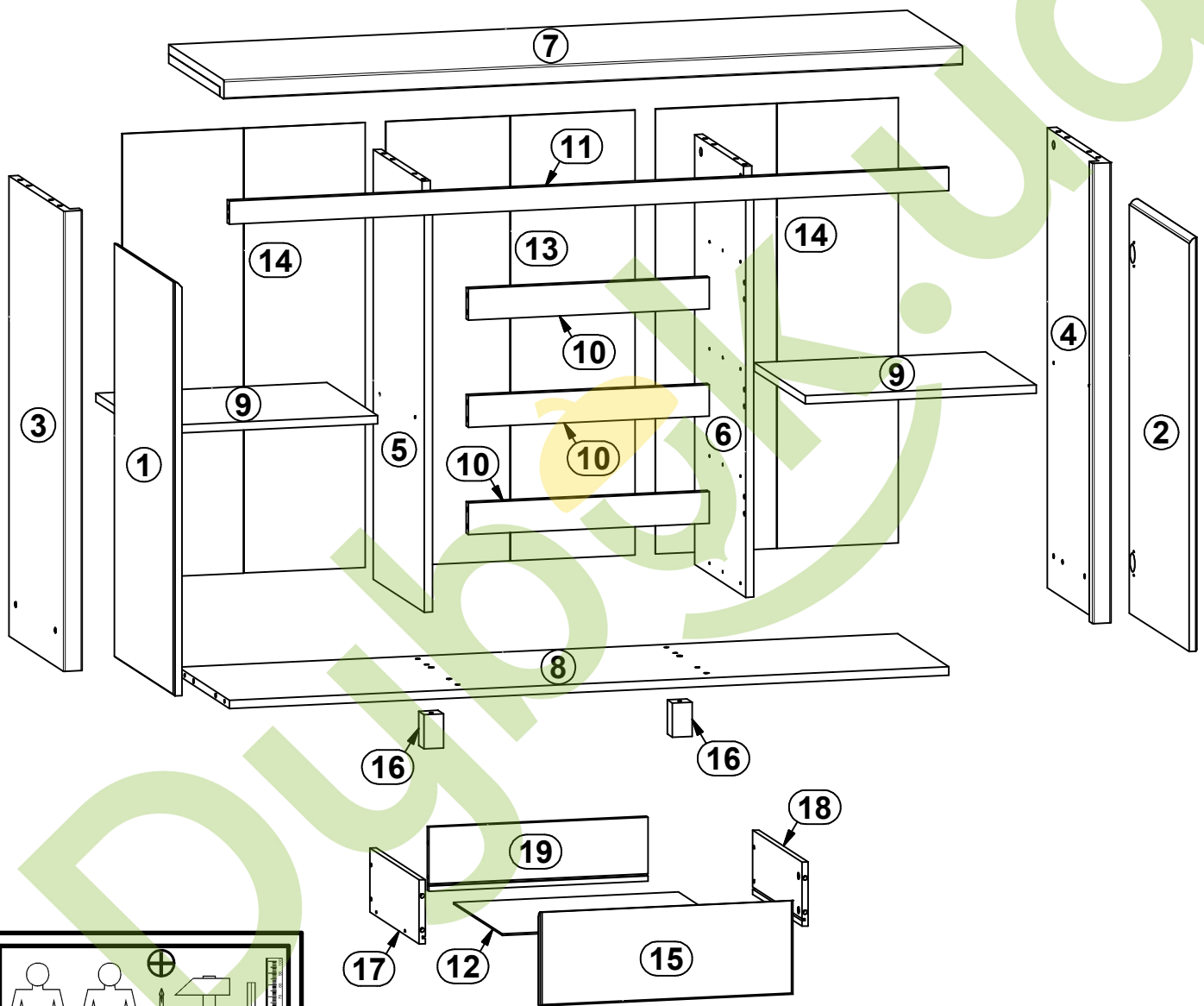
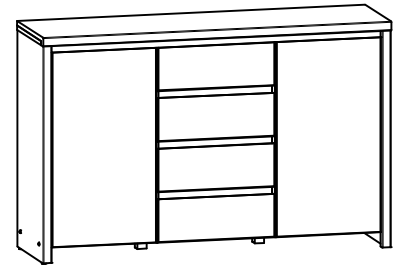


KASPIAN

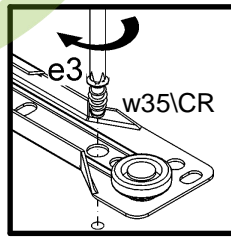
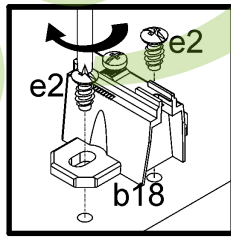
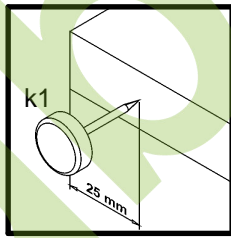
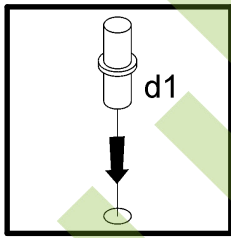
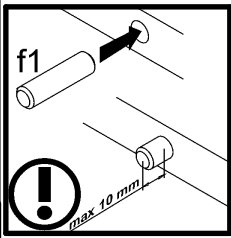
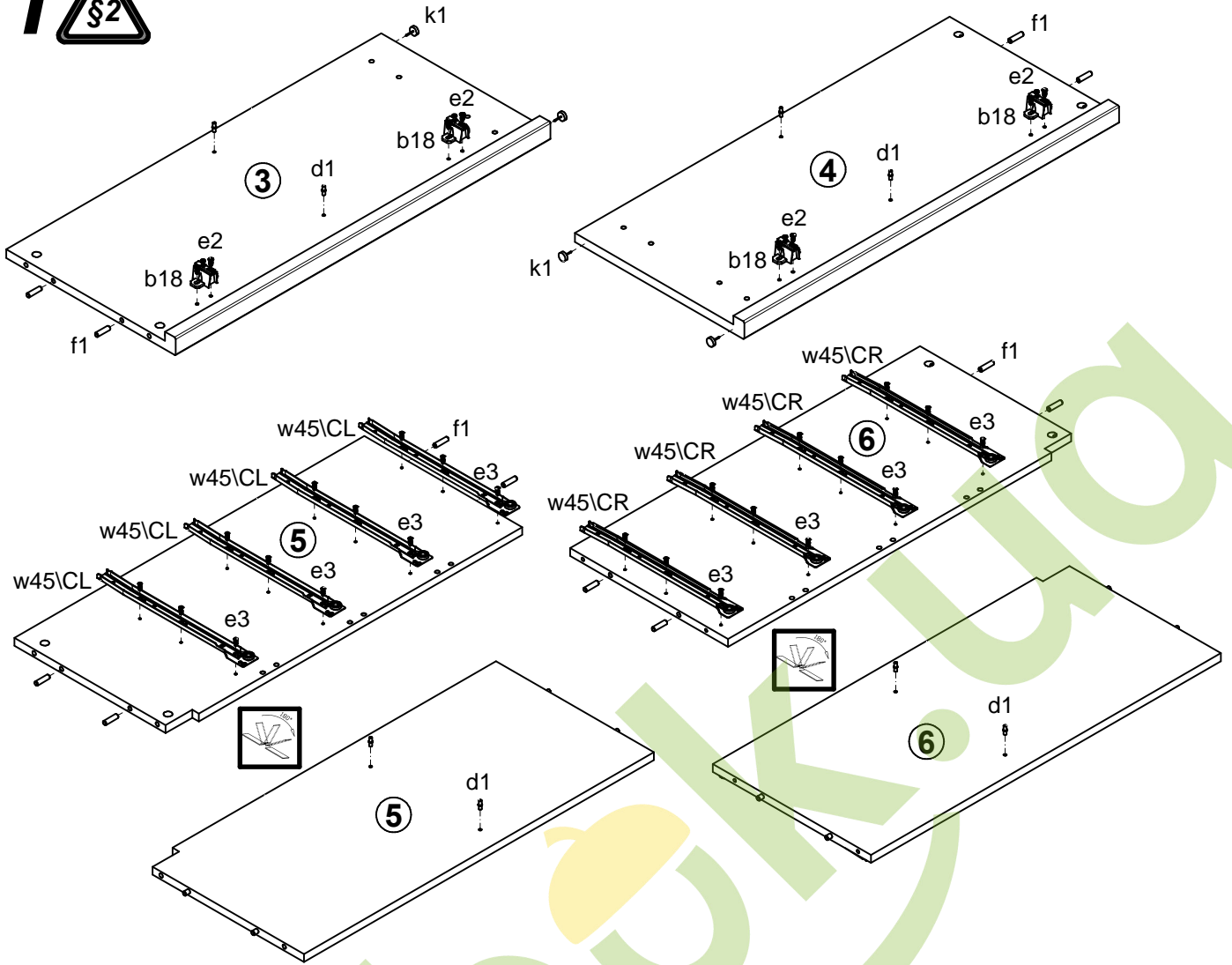
S128-KOM2D4S

| A | B | C | D | A | B | C | D | | |
|----|----------|------|-----|-----|----|----------|------|-----|-----|
| 1 | S128-008 | 788 | 432 | 4/4 | 11 | S128-406 | 1395 | 44 | 2/4 |
| 2 | S128-009 | 788 | 432 | 4/4 | 12 | S128-901 | 429 | 348 | 2/4 |
| 3 | S128-107 | 876 | 396 | 1/4 | 13 | S128-908 | 847 | 483 | 1/4 |
| 4 | S128-108 | 876 | 396 | 1/4 | 14 | S128-909 | 847 | 471 | 1/4 |
| 5 | S128-109 | 818 | 369 | 1/4 | 15 | S83-005 | 482 | 176 | 3/4 |
| 6 | S128-110 | 818 | 369 | 1/4 | 16 | ZN1-501 | 65 | 38 | 1/4 |
| 7 | S128-204 | 1432 | 399 | 2/4 | 17 | ZS2-511 | 350 | 120 | 1/4 |
| 8 | S128-302 | 1395 | 370 | 2/4 | 18 | ZS2-512 | 350 | 120 | 1/4 |
| 9 | S128-305 | 448 | 368 | 2/4 | 19 | ZS2-5521 | 418 | 120 | 1/4 |
| 10 | S128-404 | 467 | 60 | 1/4 | | | | | |

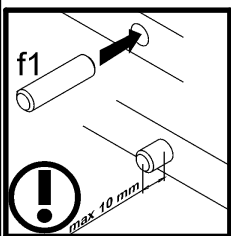
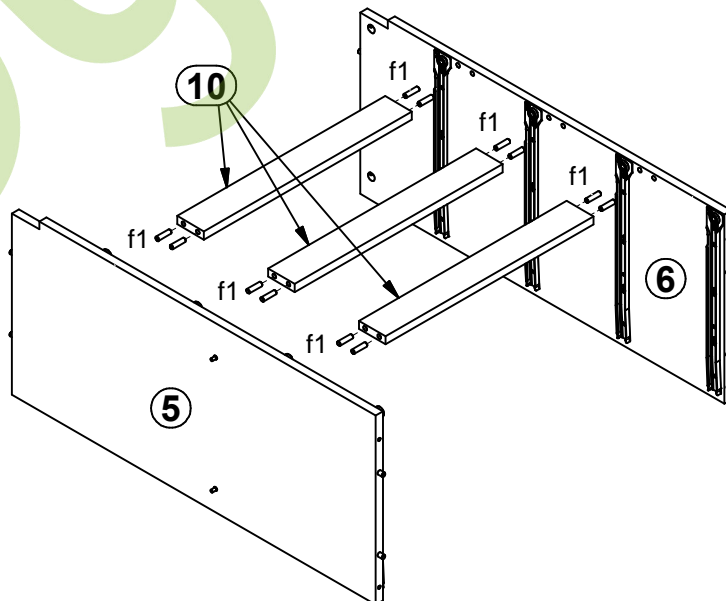


| | | | | | | | | |
|------------|------------|---------|---------|-----------|----------|---------|------------|------------|
| 4x a43 | 4x b18 | 8x d1 | 10x e1 | 16x e19 | 8x e2 | 24x e3 | 32x f1 | 16x f25 |
| 4x k1 | 90x l1 | 8x p51 | 8x r1 | 16x r15 | 24x r42 | 4x s1 | 4x w45\CL | 4x w45\CR |
| 4x w45\DL | 4x w45\DR | 4x s2 | 1x z1 | 1x n26\1 | 1x p38 | | | |

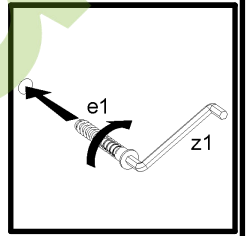
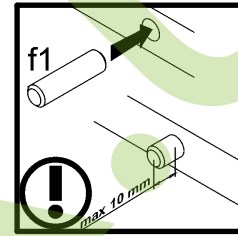
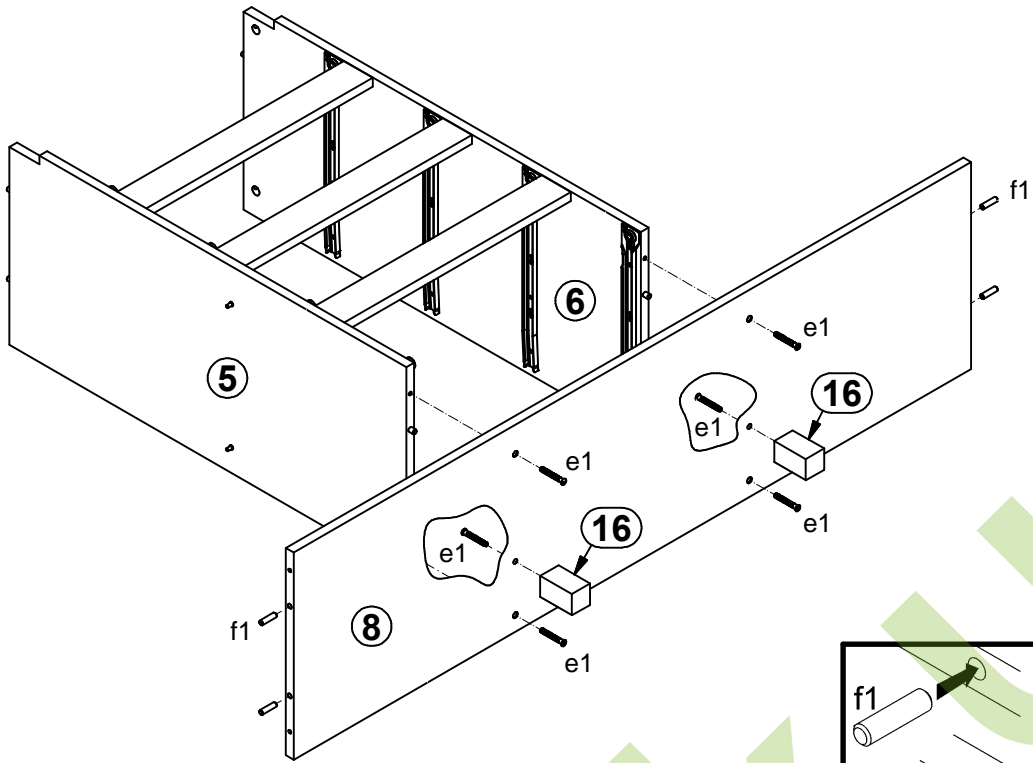
1



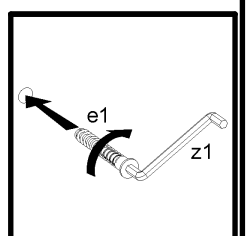
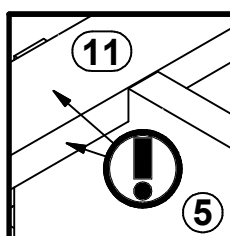
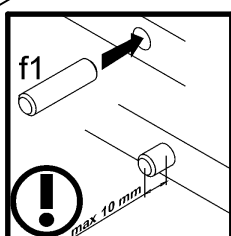
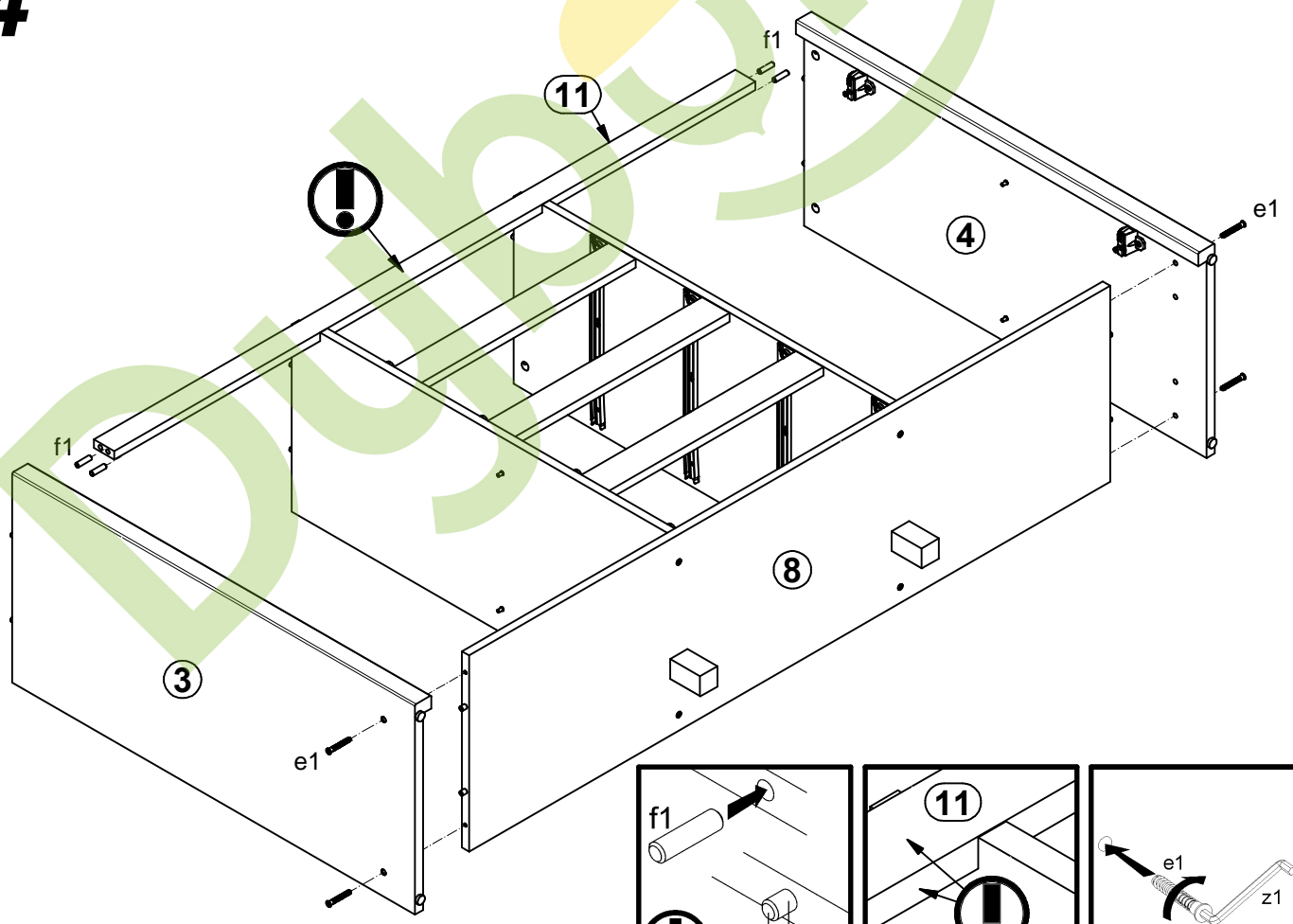
2



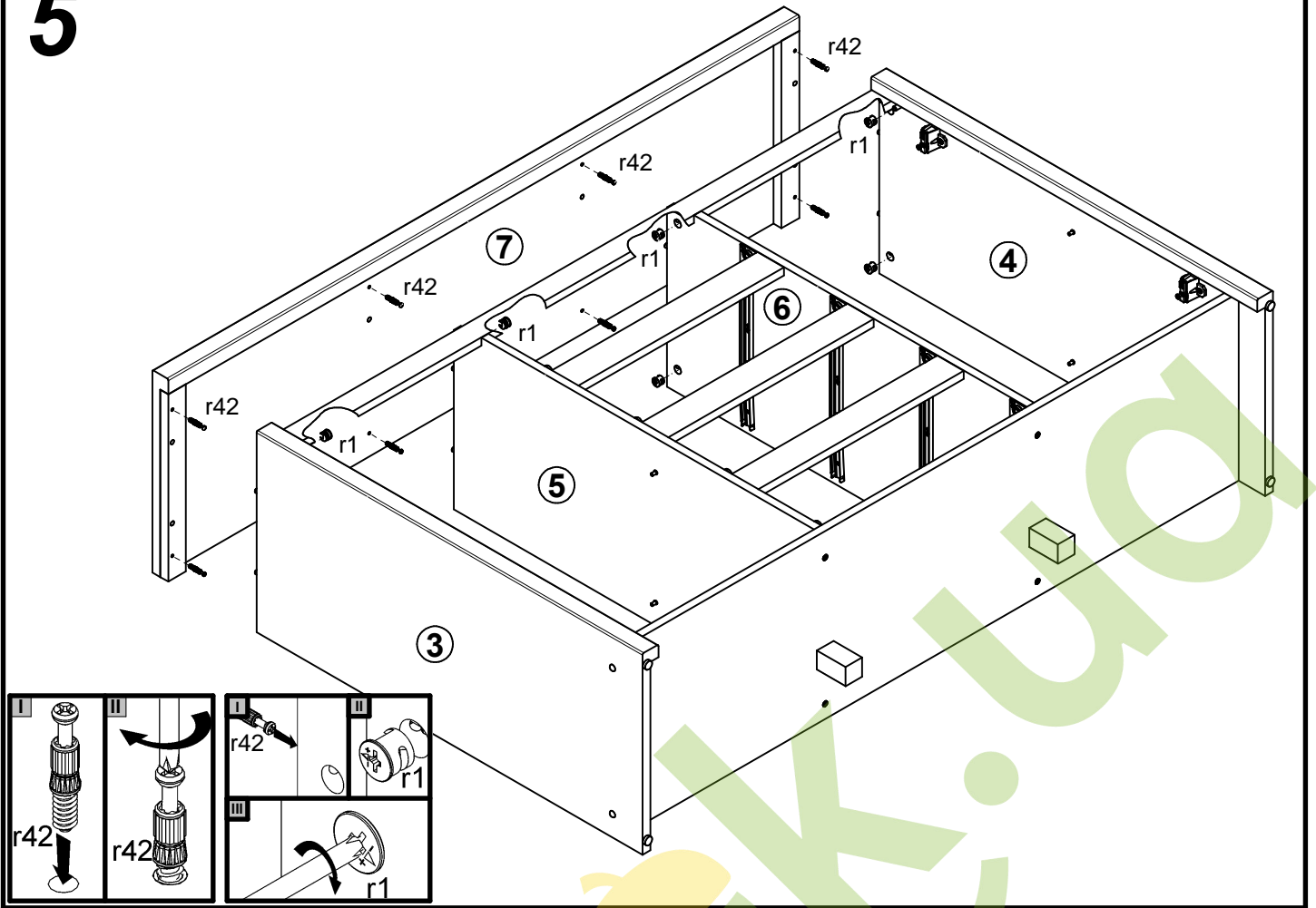
3



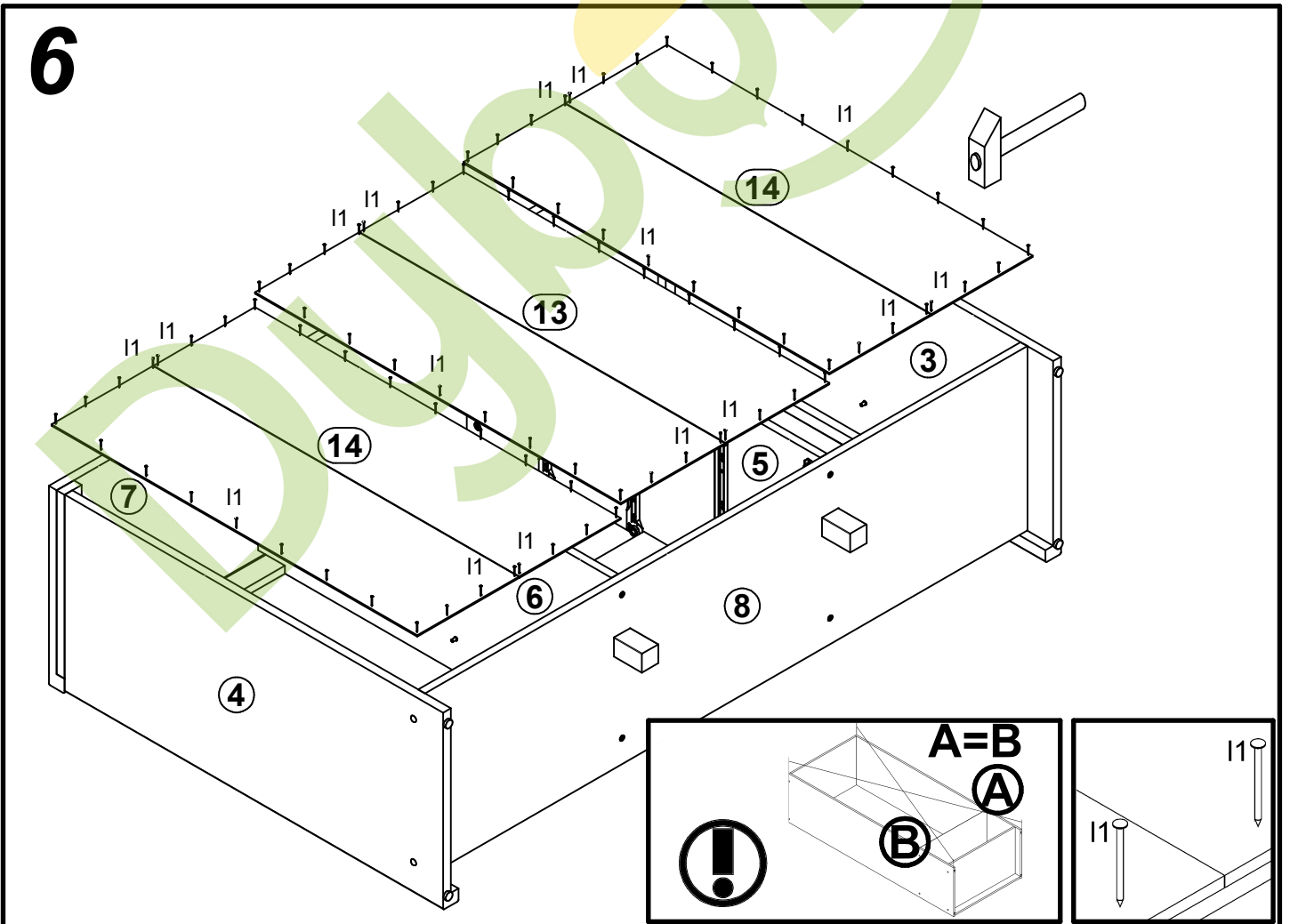
4



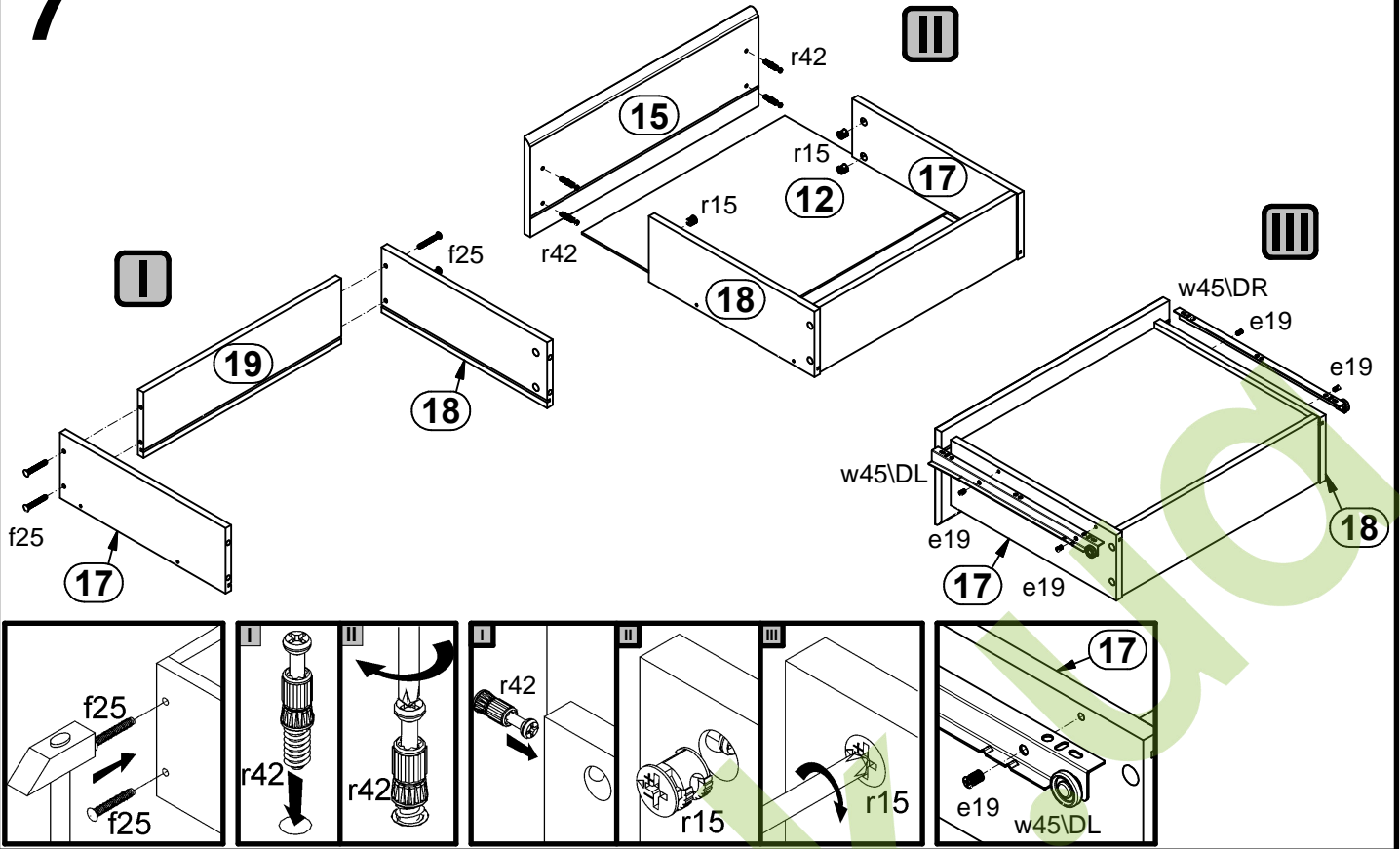
5



6



7



8

