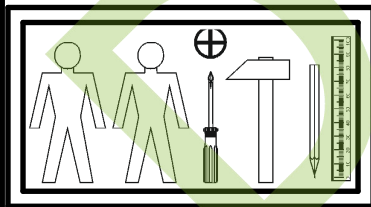
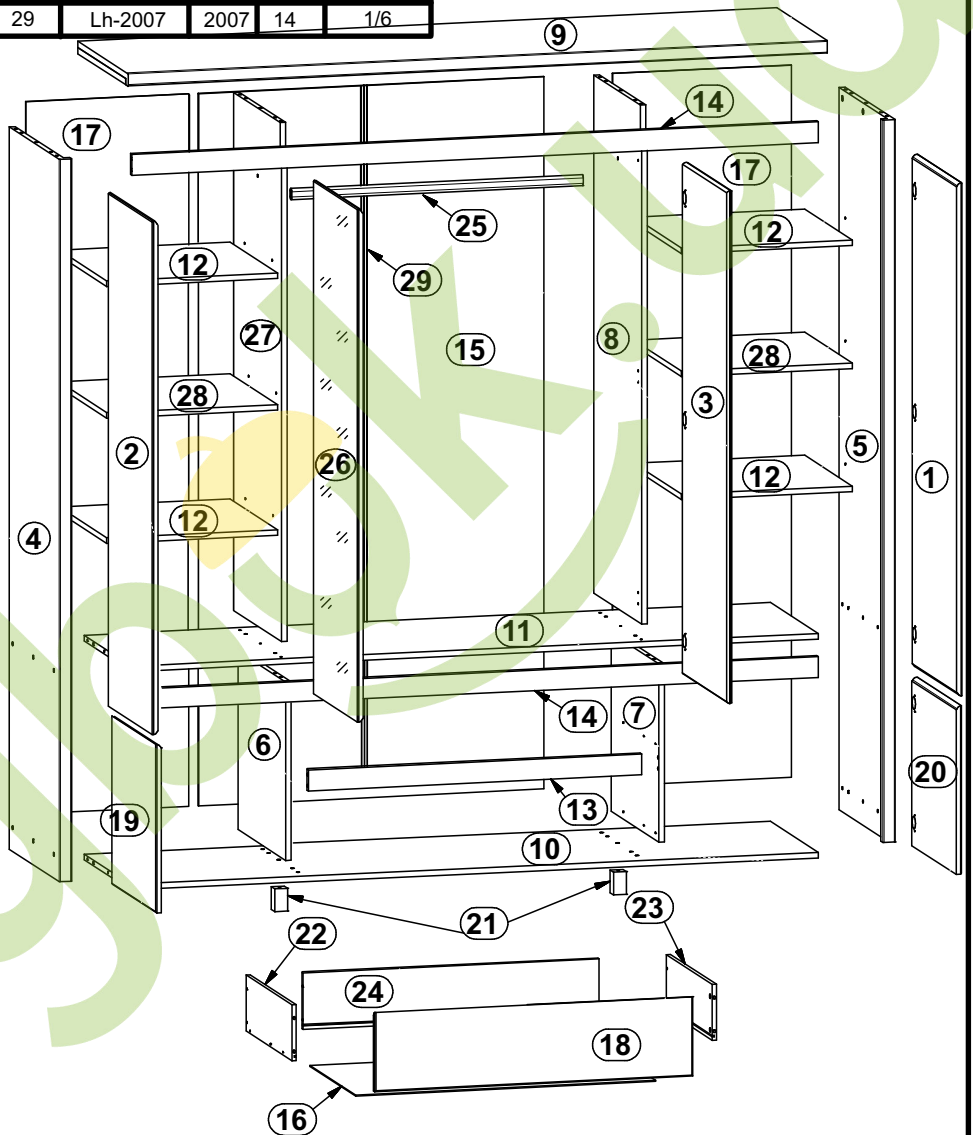


KASPIAN

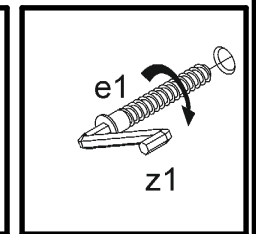
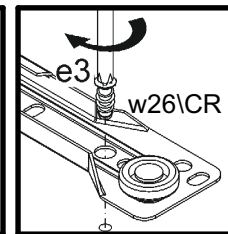
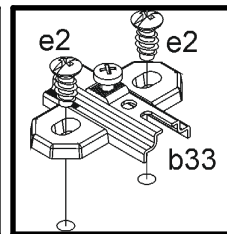
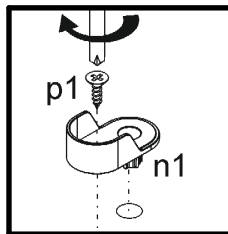
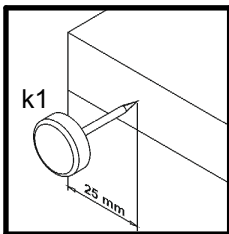
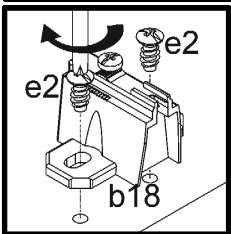
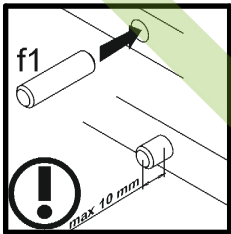
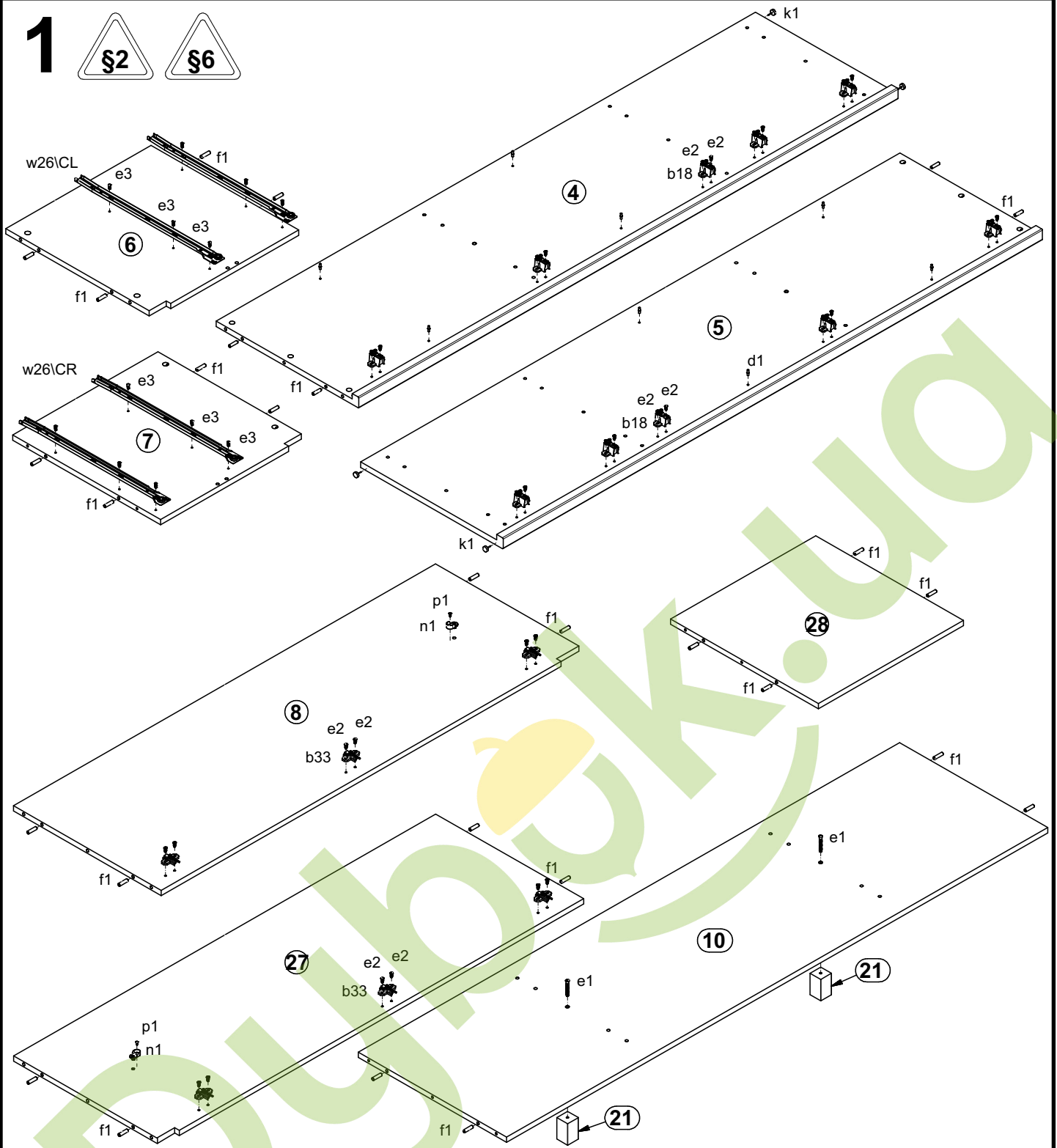
S128-SZF6D2S

A	B	C		D	A	B	C		D
1	S128-0011	1468	482	5/6	15	S128-940	2037	484	1/6
2	S128-0012	1468	482	5/6	16	S128-941	915	498	3/6
3	S128-0013	1468	482	6/6	17	S128-914	2037	521	1/6
4	S128-170	2066	546	1/6	18	S128-040	967	227	4/6
5	S128-161	2066	546	1/6	19	S83-011	482	482	4/6
6	S128-164	510	519	3/6	20	S83-012	482	482	4/6
7	S128-165	510	519	3/6	21	ZN1-501	65	38	3/6
8	S128-163	1482	519	2/6	22	ZS2-519	500	160	3/6
9	S128-230	2018	549	1/6	23	ZS2-520	500	160	3/6
10	S128-340	1981	520	2/6	24	S128-570	904	160	3/6
11	S128-341	1981	520	2/6	25	dr-948	948	30	2/6
12	S128-312	498	518	3/6	26	S128-041	1468	482	6/6
13	S128-470	953	60	3/6	27	S128-162	1482	519	2/6
14	S128-471	1981	60	2/6	28	S128-342	498	518	2/6
					29	Lh-2007	2007	14	1/6

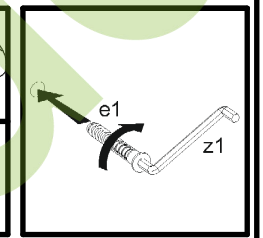
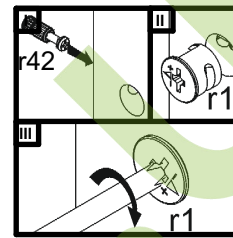
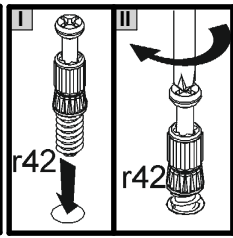
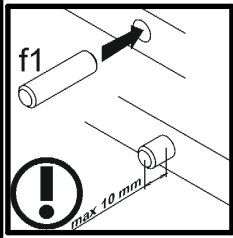
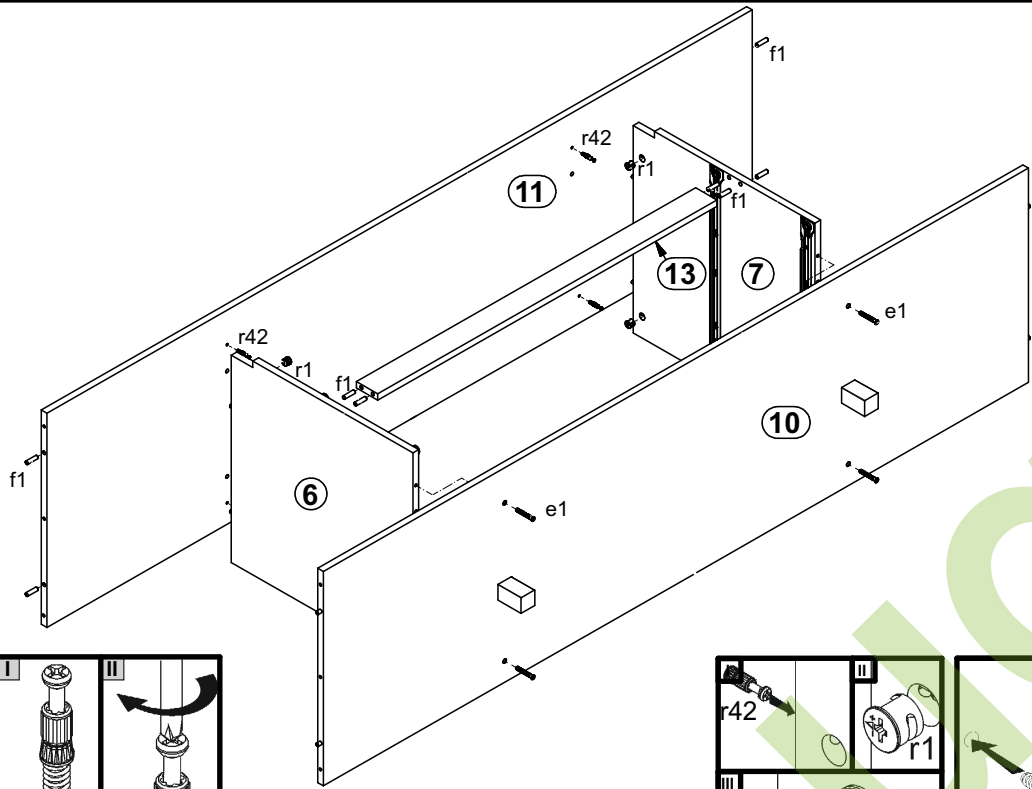


10x a43	6x a68	10x b18	D22.5 6x b33	16x d1 φ5x17 mm	18x e1 φ7x50 mm	12x e19 φ5x9 mm	32x e2 φ6,3x13 mm	12x e3 φ6x13 mm
48x f1 φ8x30 mm	8x f25 φ6,5x40 mm	4x k1	150 l1	2x n1	2x p1 φ3,5x15 mm	32x p51 φ3,5x15 mm	34x r1 φ1,5x12mm #16	8x r15 φ12x10,5mm #12
42x r42	2x w26\CL 500 mm	2x w26\CR 500 mm	2x w26\DL 500 mm	2x w26\DR 500 mm	12x s1 ø16	24x s2 ø16	1x z1	1x n26\1
1x p38 φ3,5x16 mm	2x t17 483 mm	12x p1 φ3,5x13 mm						

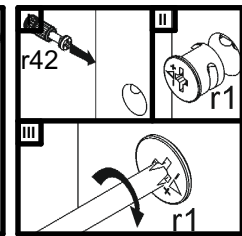
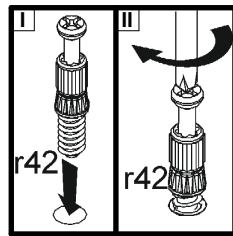
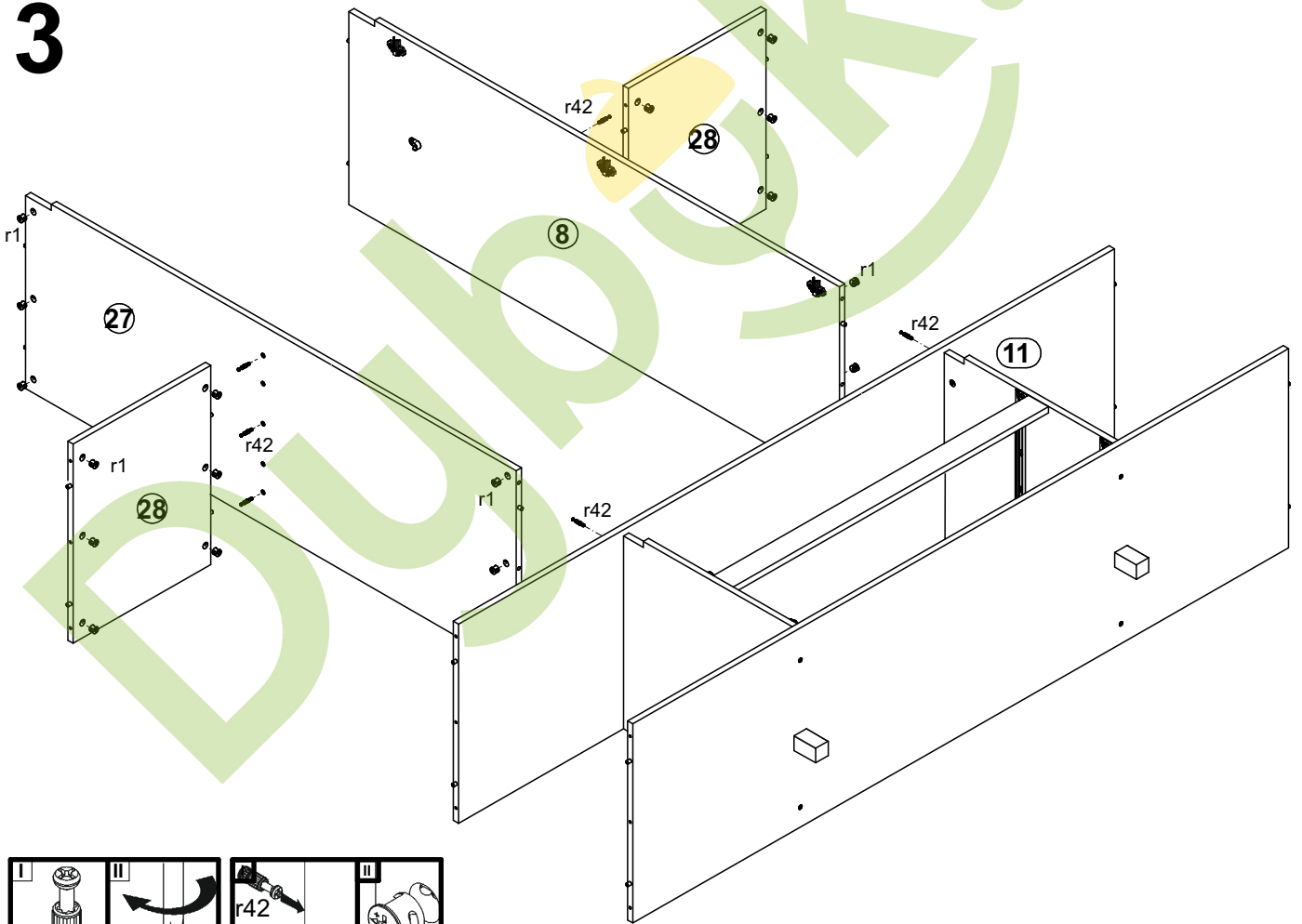
1



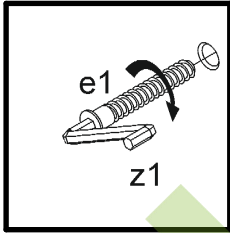
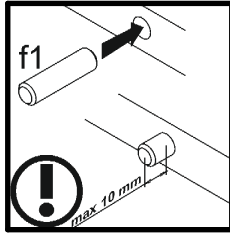
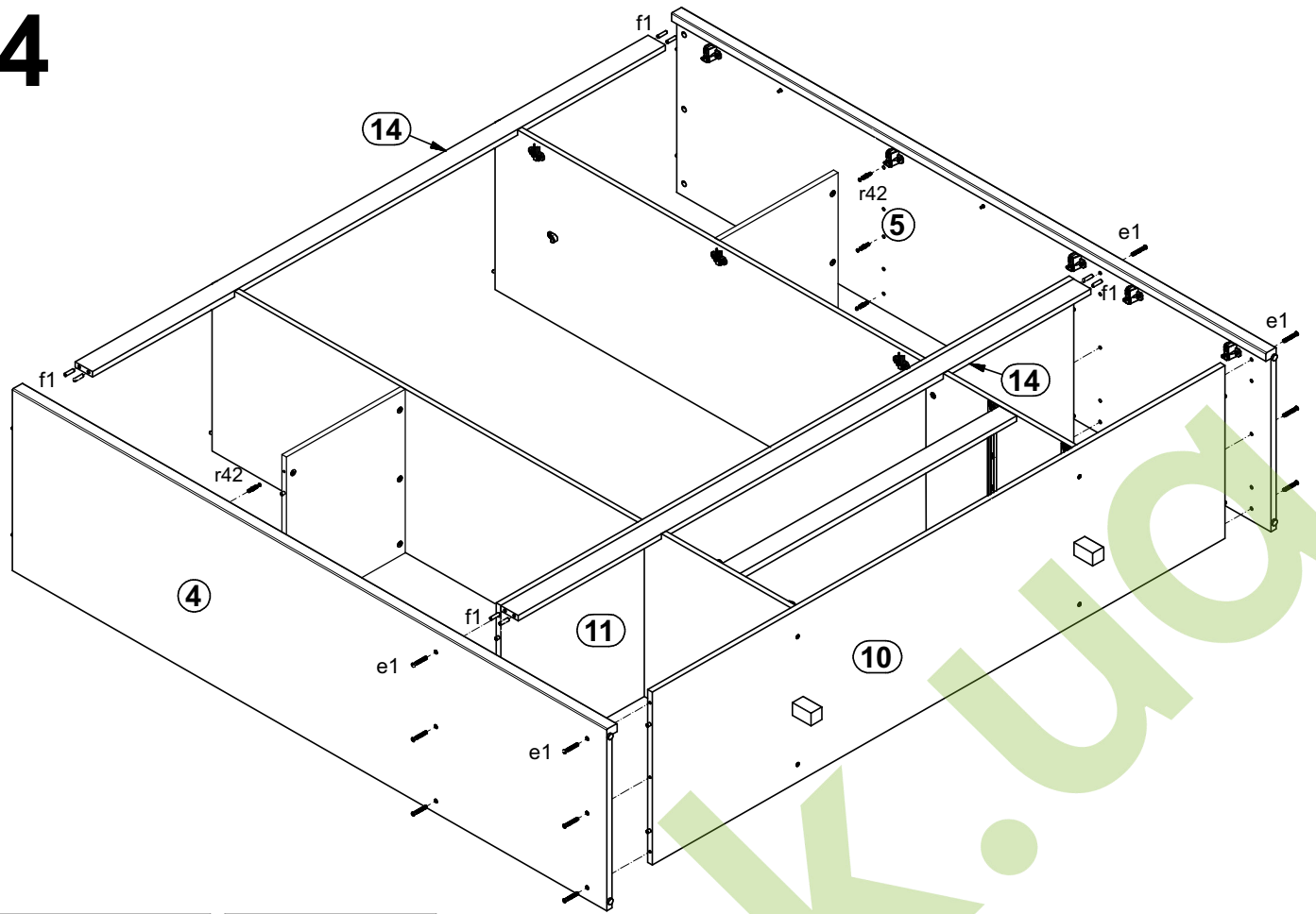
2



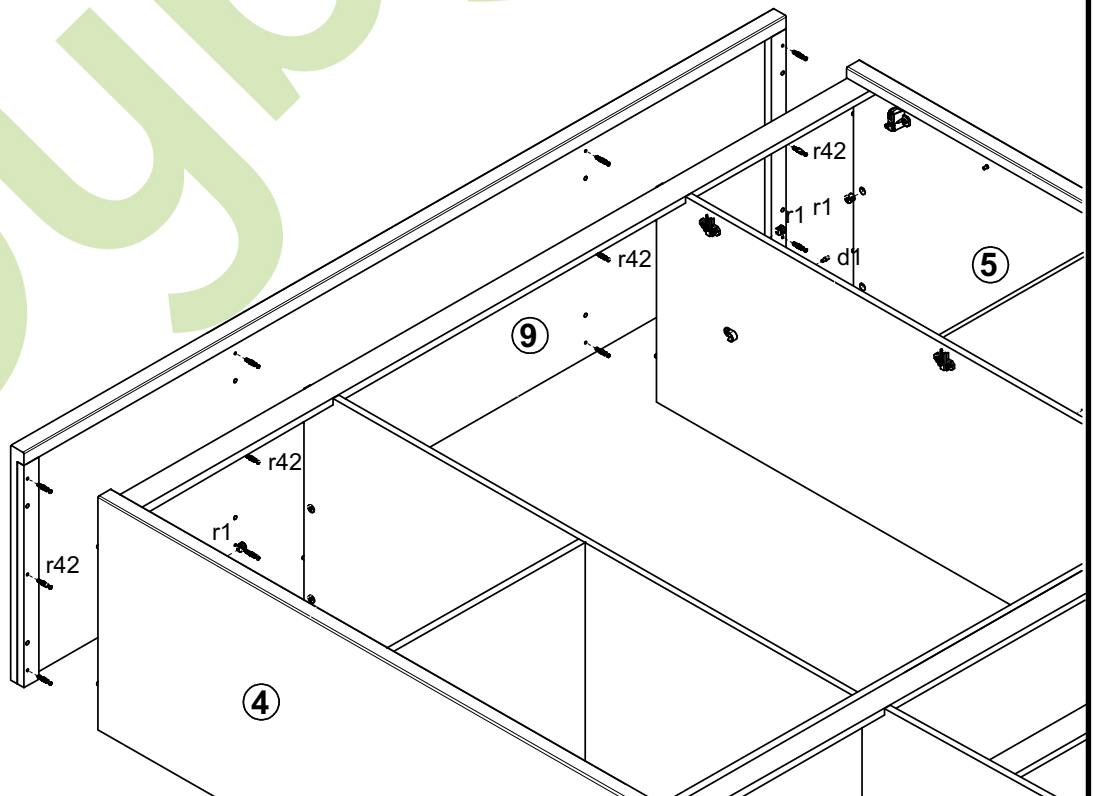
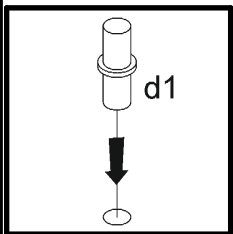
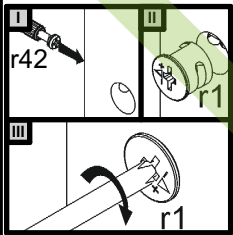
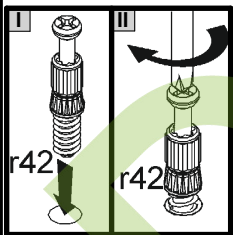
3



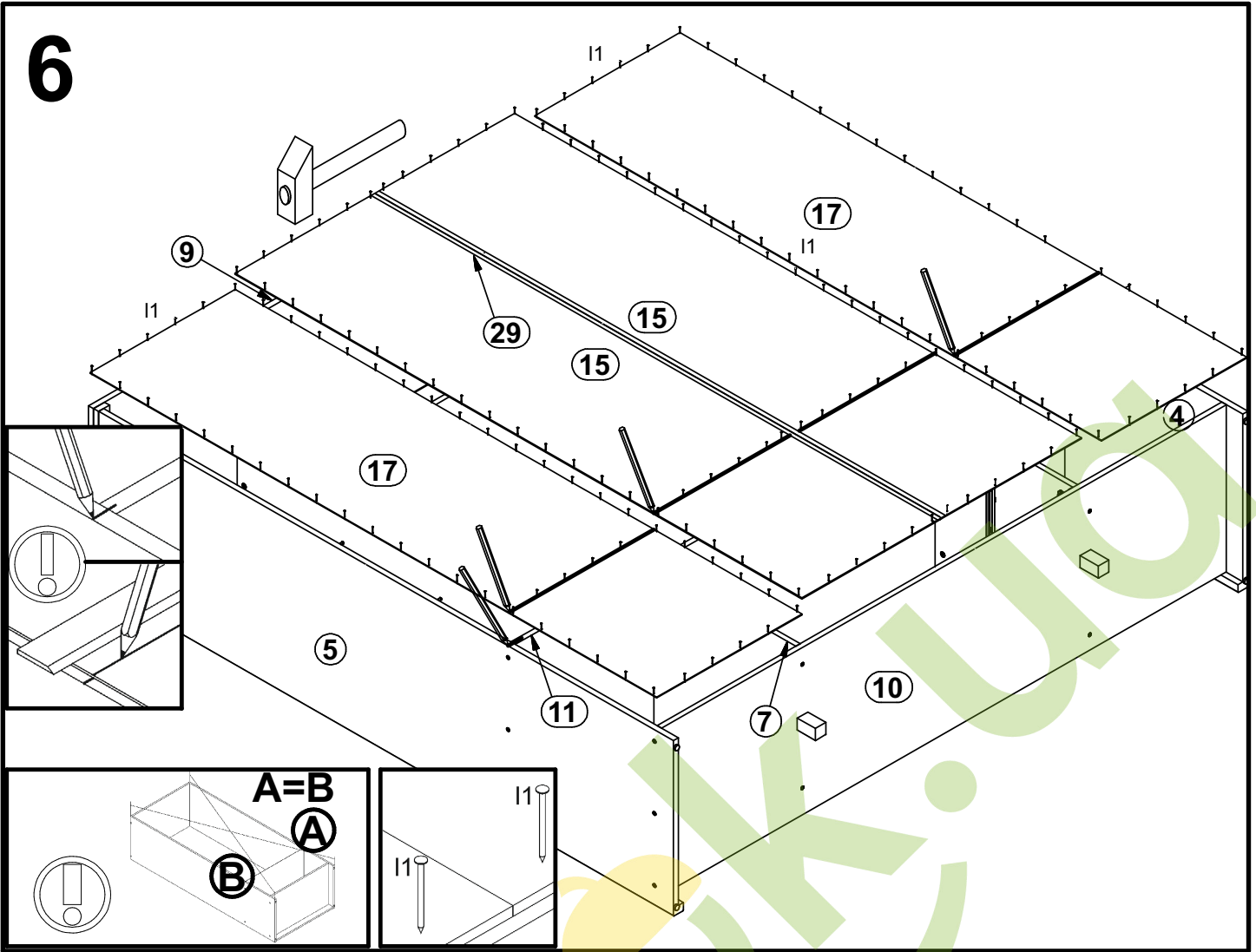
4



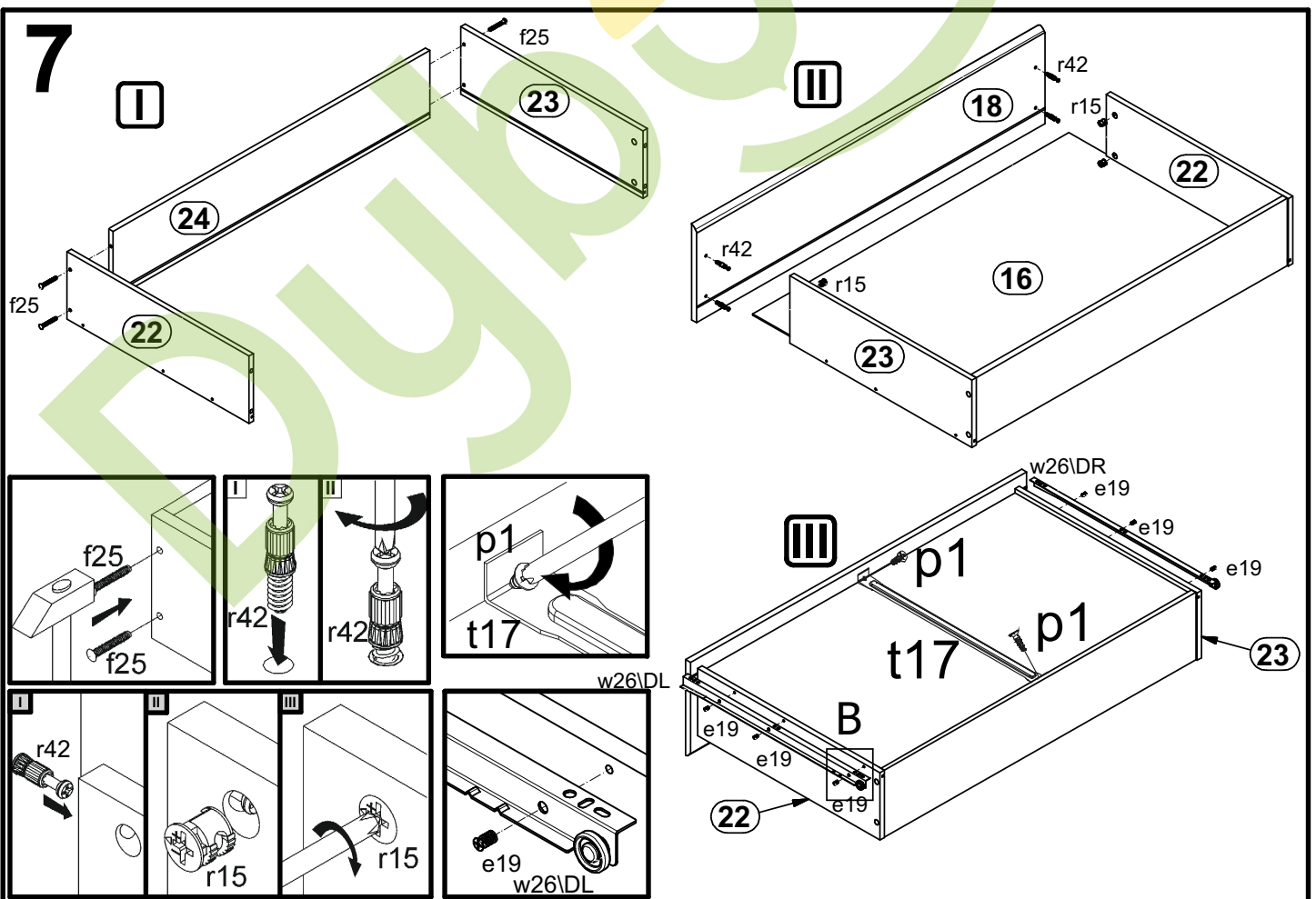
5



6



7



8

