

LARGO Classic

REG2W, REG2W1D - FRN1

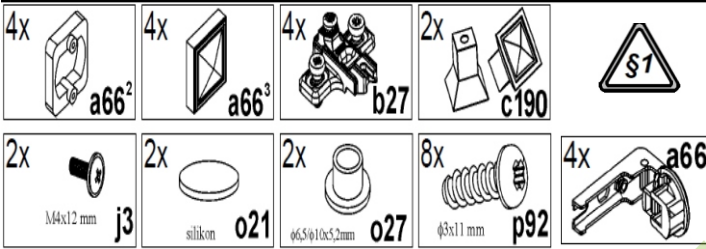
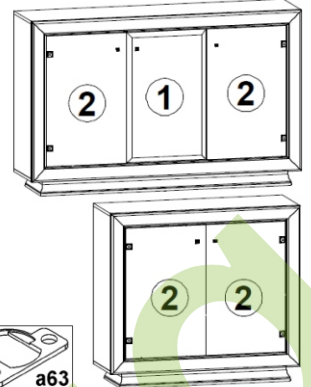
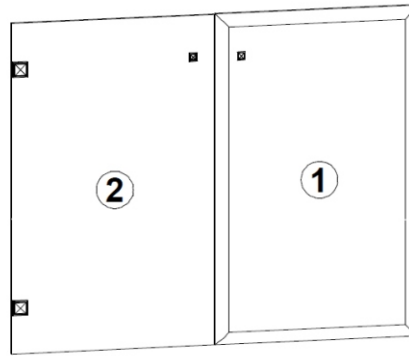
A	B	C	D
---	---	---	---

REG2W1D

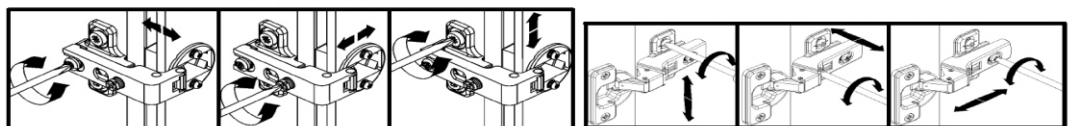
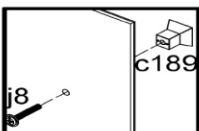
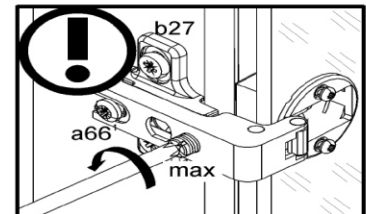
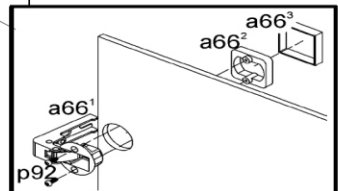
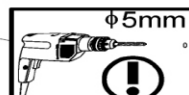
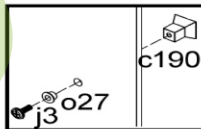
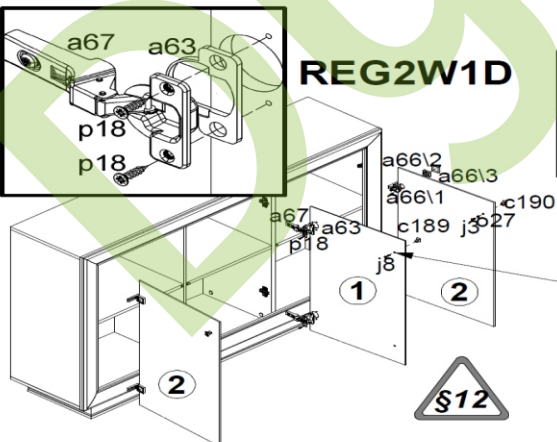
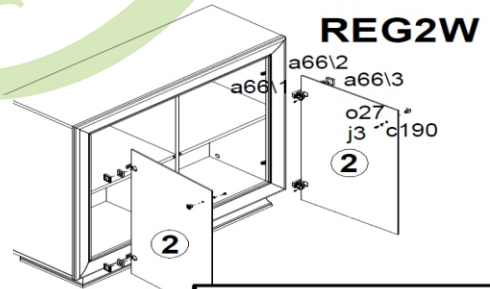
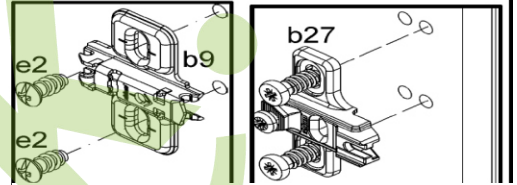
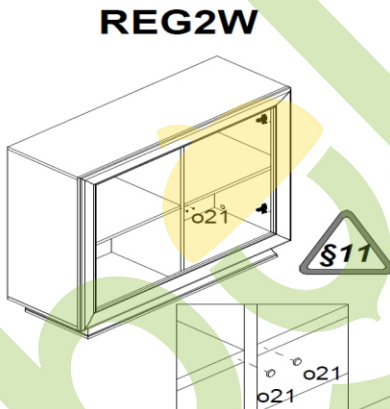
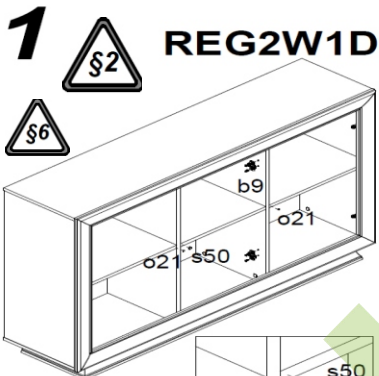
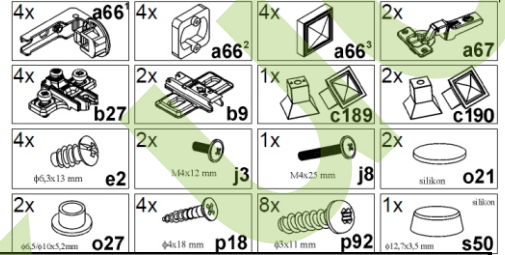
1	S56-021	446	716	5/6
2	S56-023	716	448	6/6

REG2W

2	S56-023	716	448	4/5
---	---------	-----	-----	-----



REG2W, REG2W1D

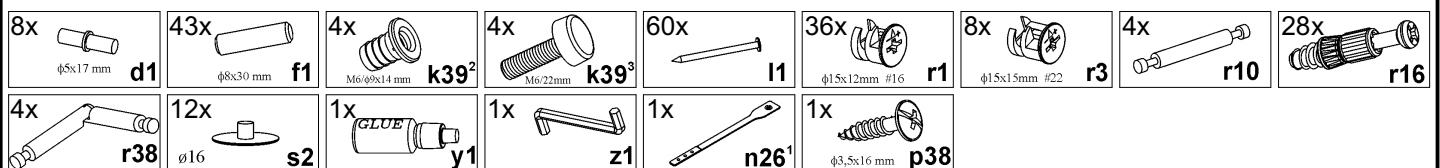
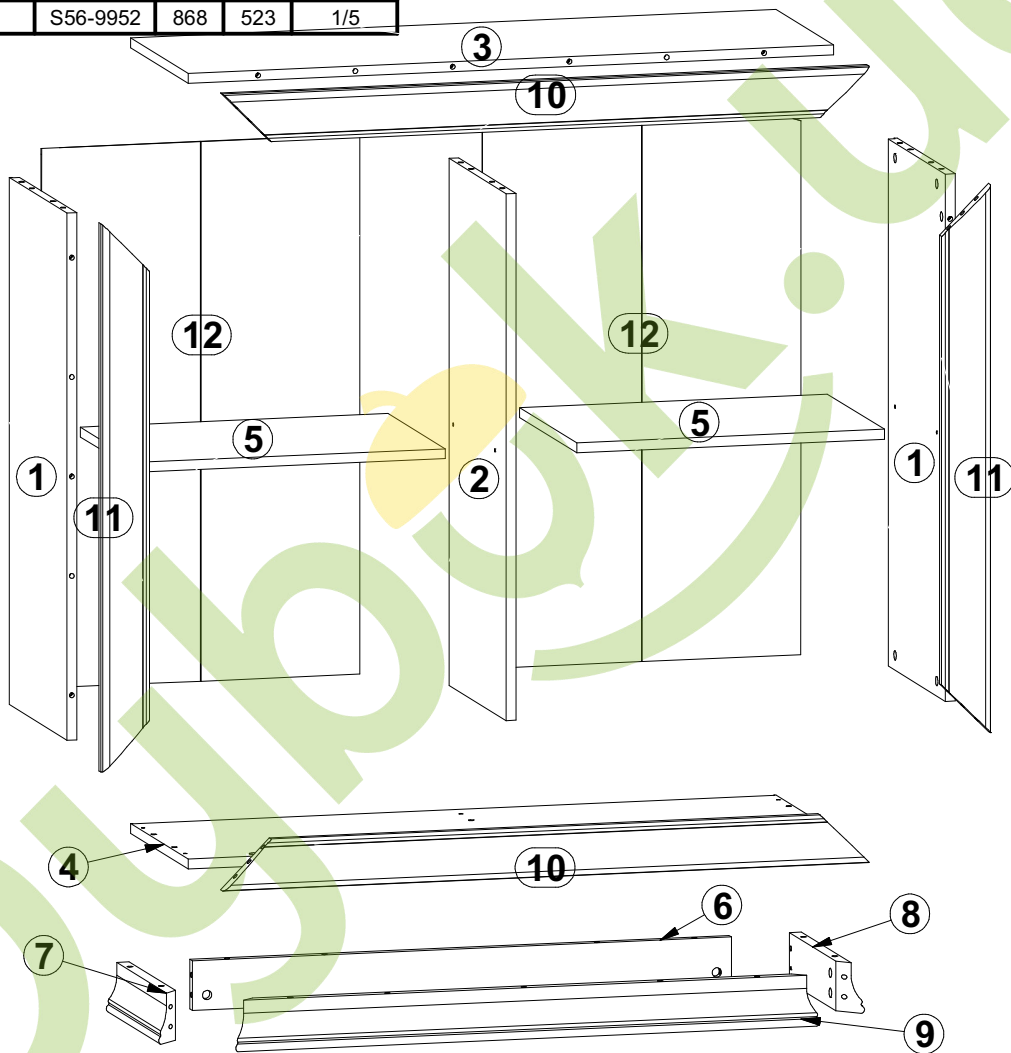


LARGO Classic

REG2D; REG2W

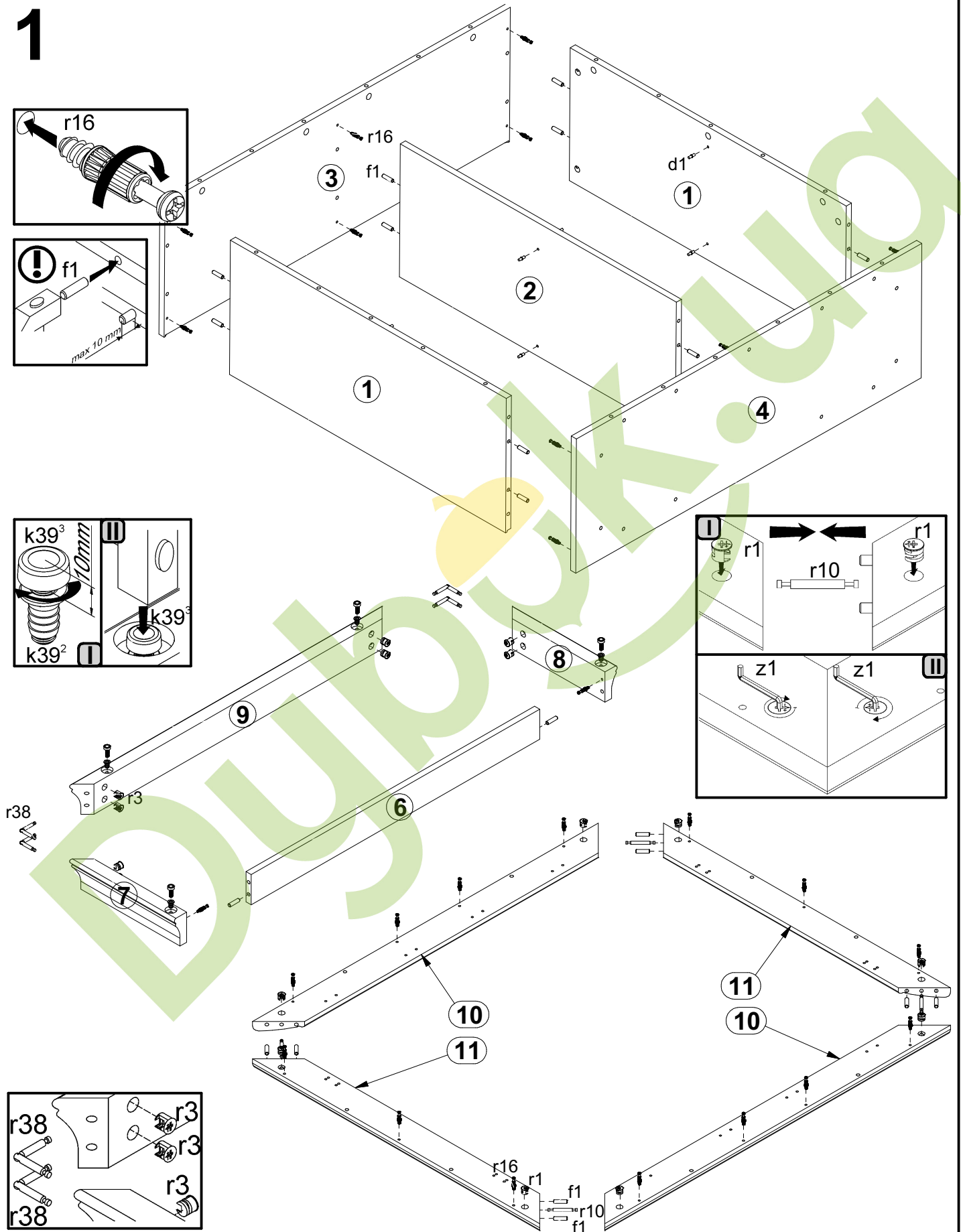
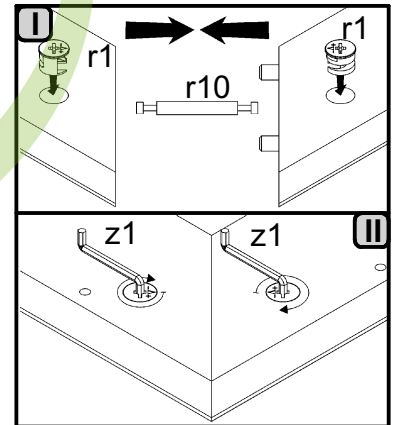
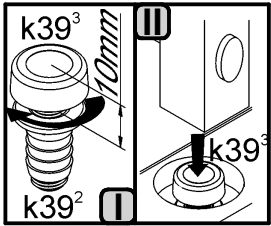
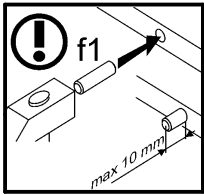
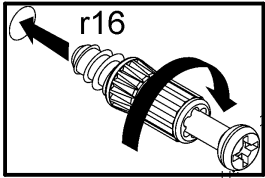


	A	B	C	D
1	S56-1104	848	351	1/5
2	S56-105	848	351	1/5
3	S56-2205	1061	351	1/5
4	S56-2206	1061	351	1/5
5	S56-301	506	351	1/5
6	S56-401	886	80	1/5
7	S56-452	322	80	4/5
8	S56-453	322	80	4/5
9	S56-454	960	80	4/5
10	S56-572	1062	80	2/5
11	S56-574	882	80	2/5
12	S56-9952	868	523	1/5



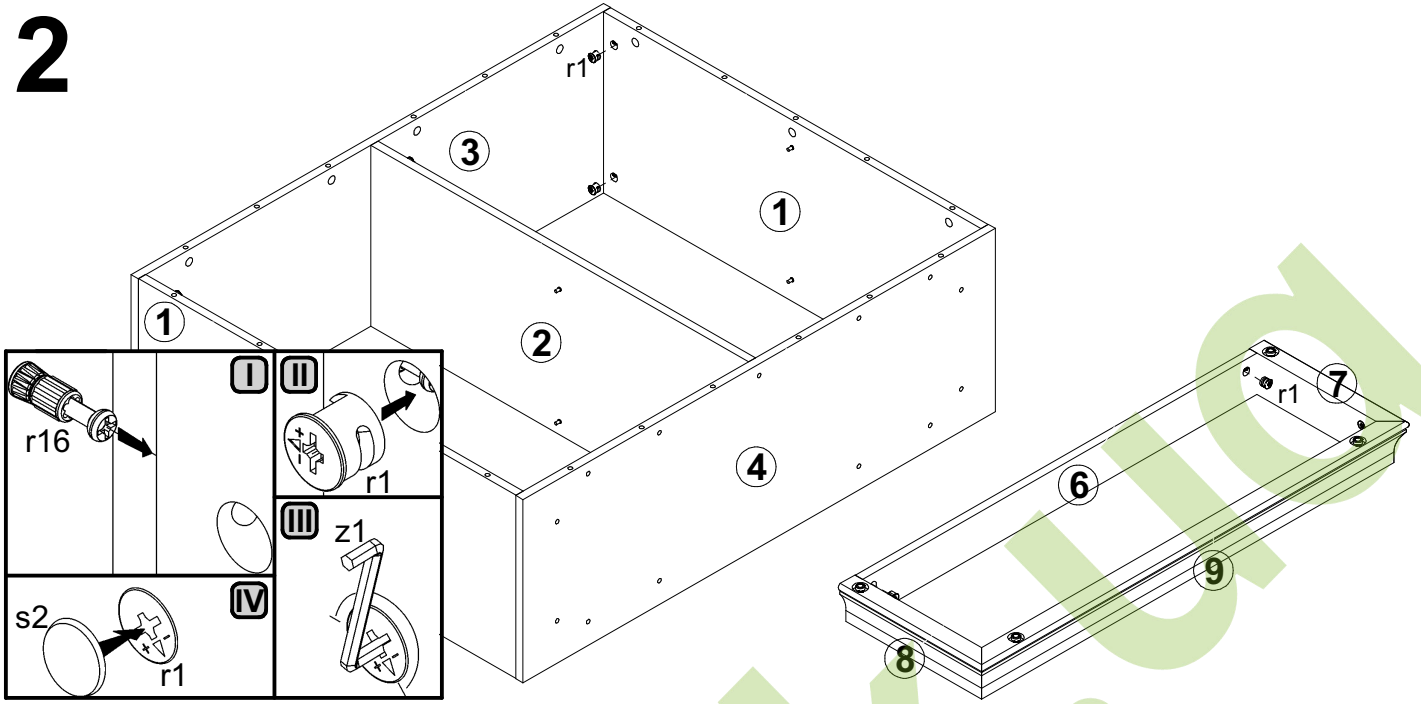


1

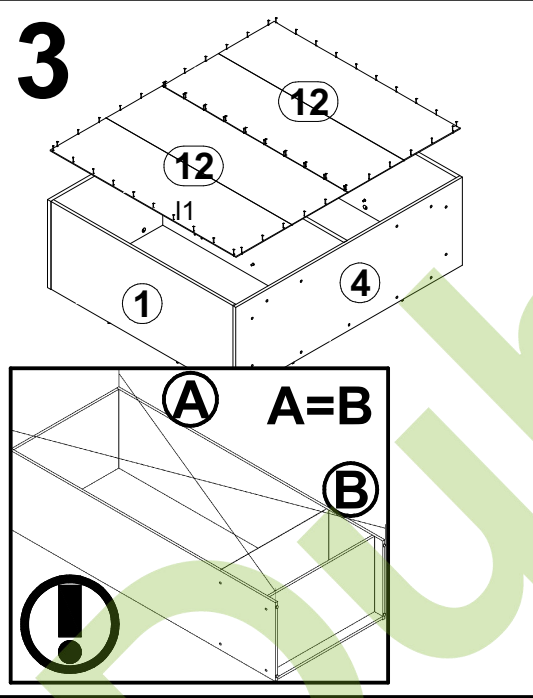


§6

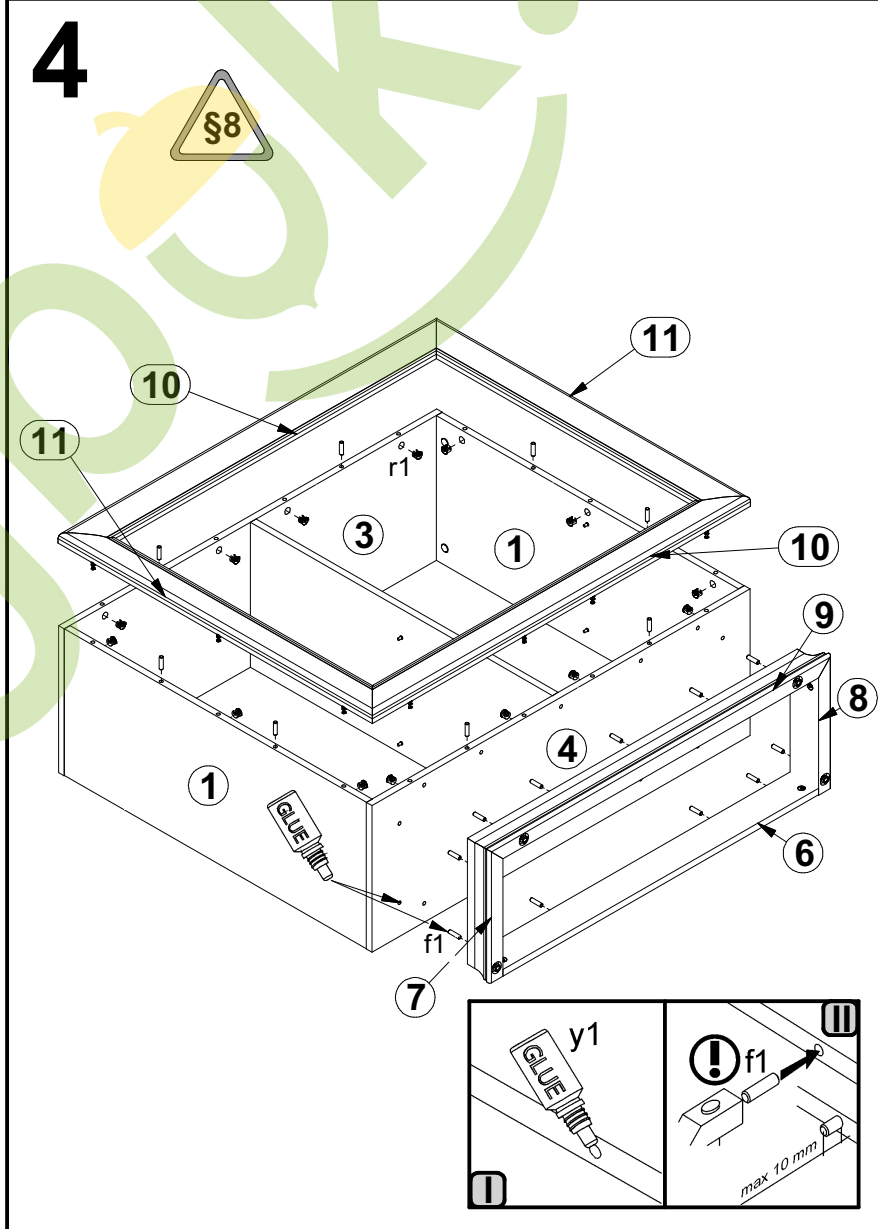
2



3



4



5

