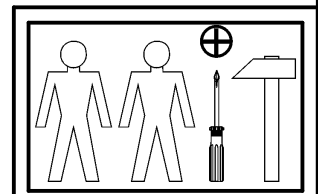
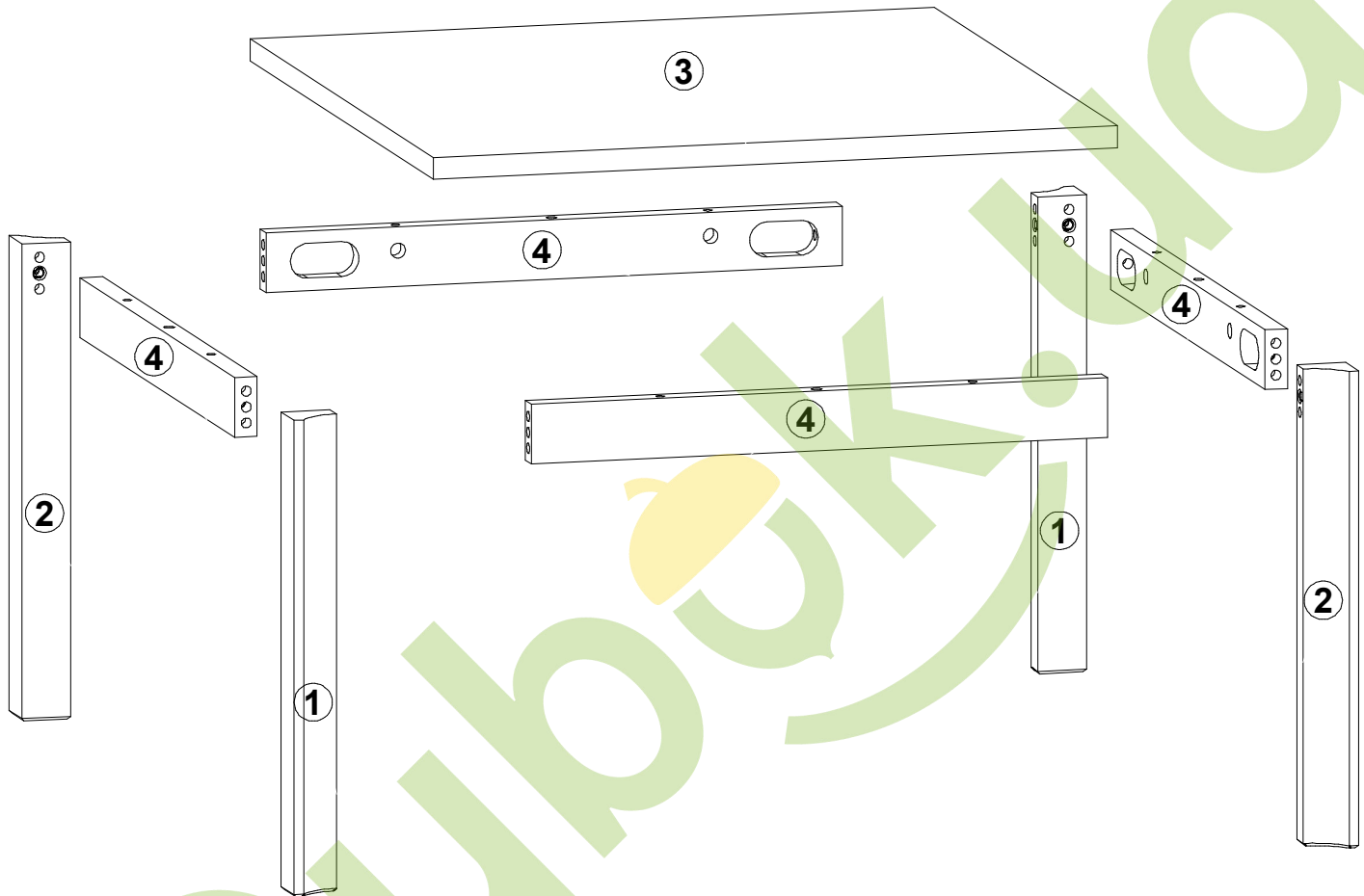
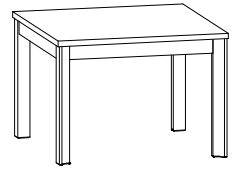
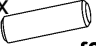







# SORRENTO

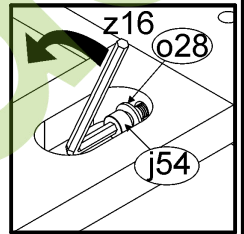
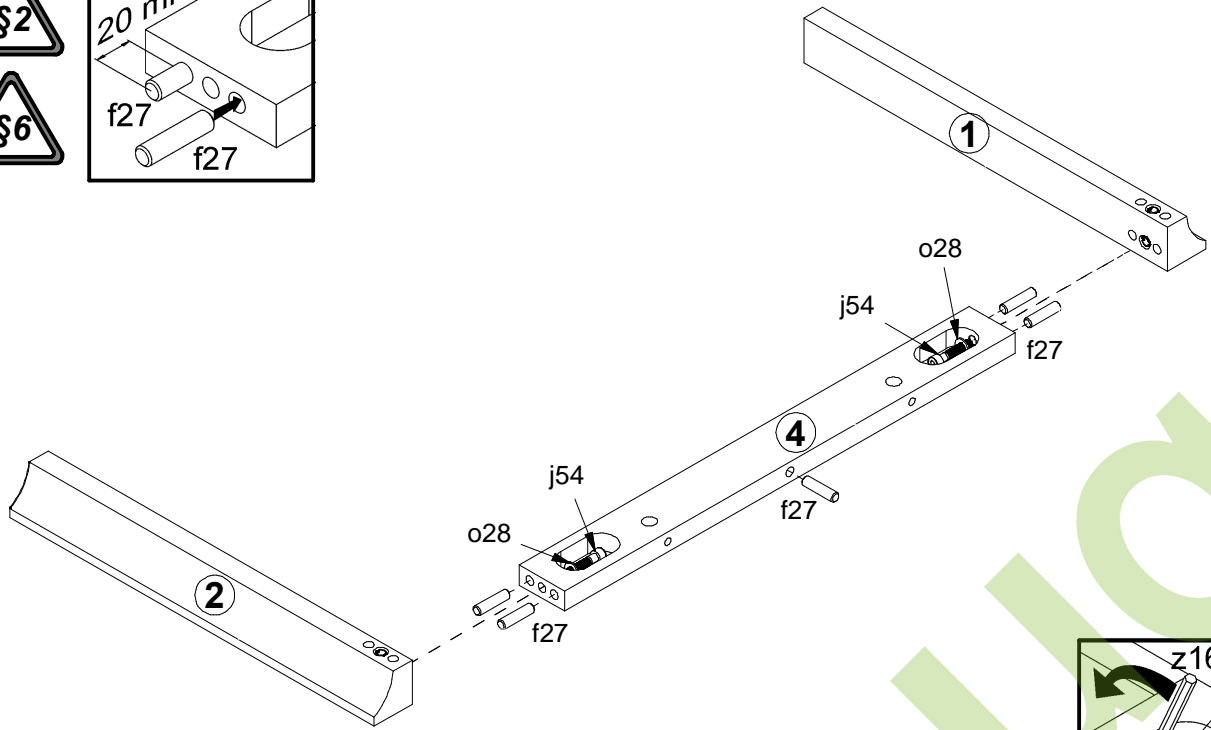
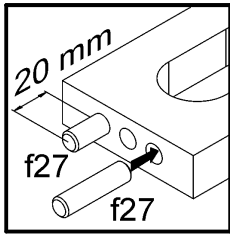
S58-LAW\_5\_7

A	B	C	D	
1	S58-132	480	50	2/2
2	S58-133	480	50	2/2
3	S58-215	700	700	1/2
4	S58-452	590	60	2/2

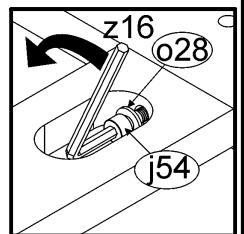
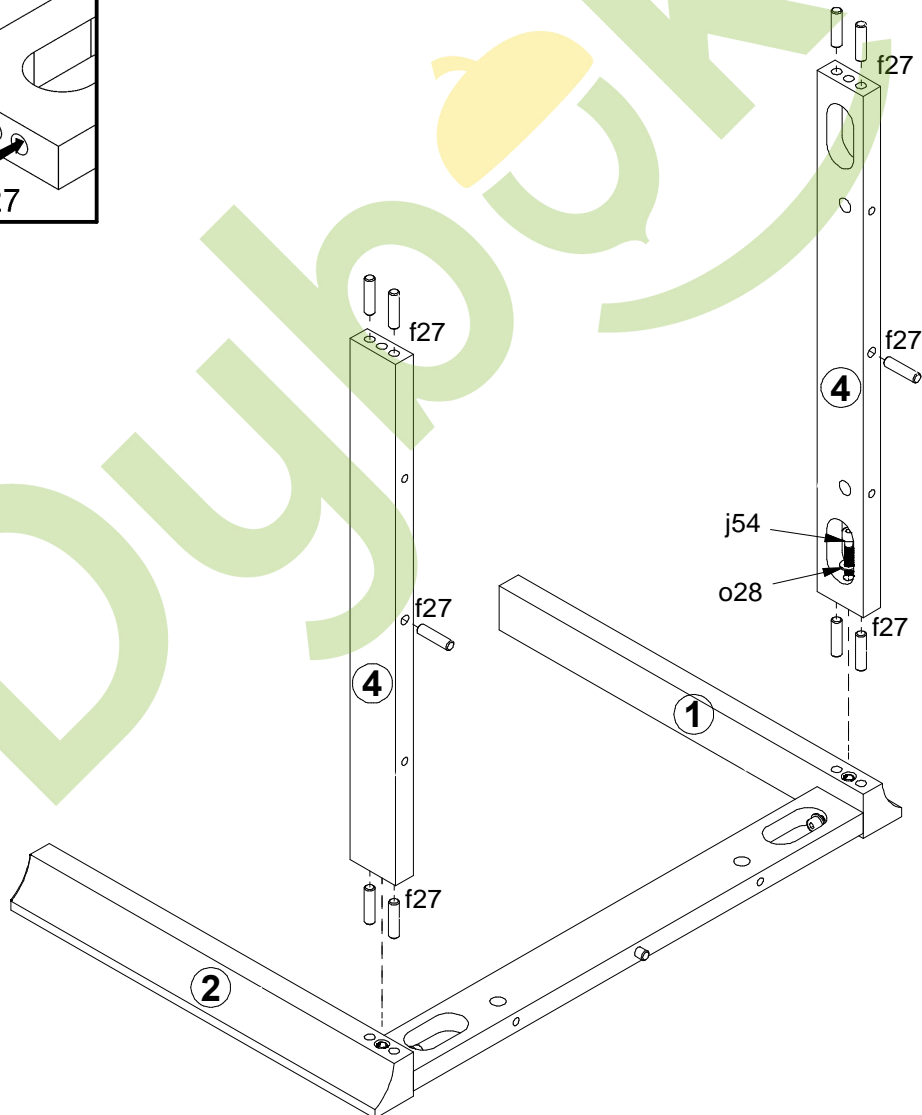
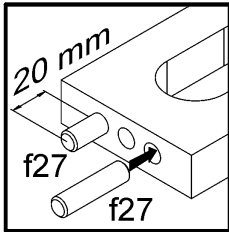


- 20x   $\phi 10 \times 40$  mm **f27**
- 8x   $M8 \times 40$  mm **j54**
- 8x   $\phi 8 \times 17 \times 1.8$  mm **o28**
- 8x   $\phi 15 \times 15$  mm #22 **r3**
- 8x  **r16**
- 1x  6mm **z16**

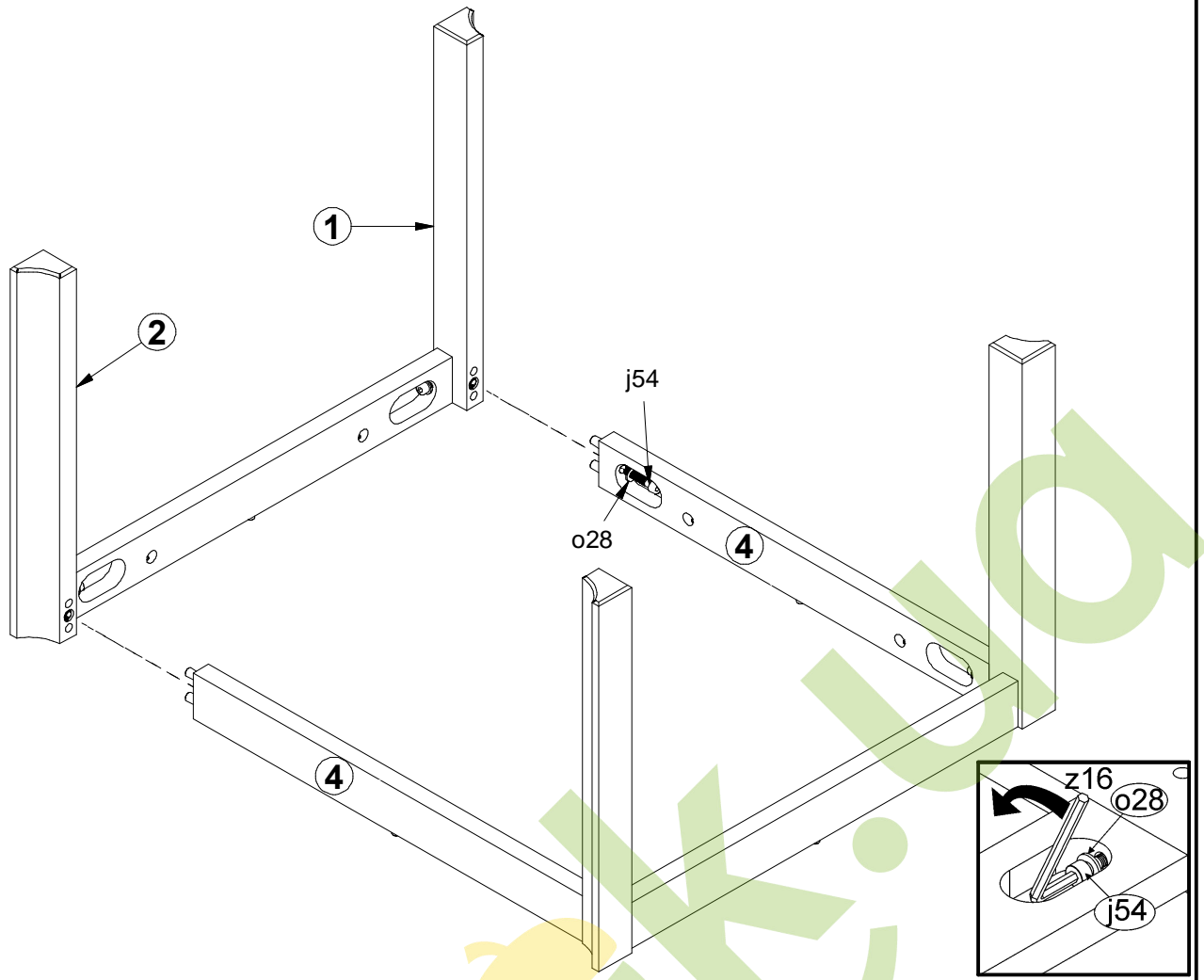
1



2



# 3



# 4

