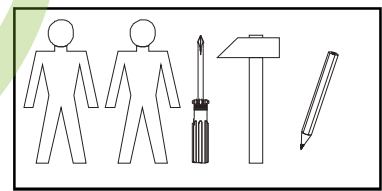
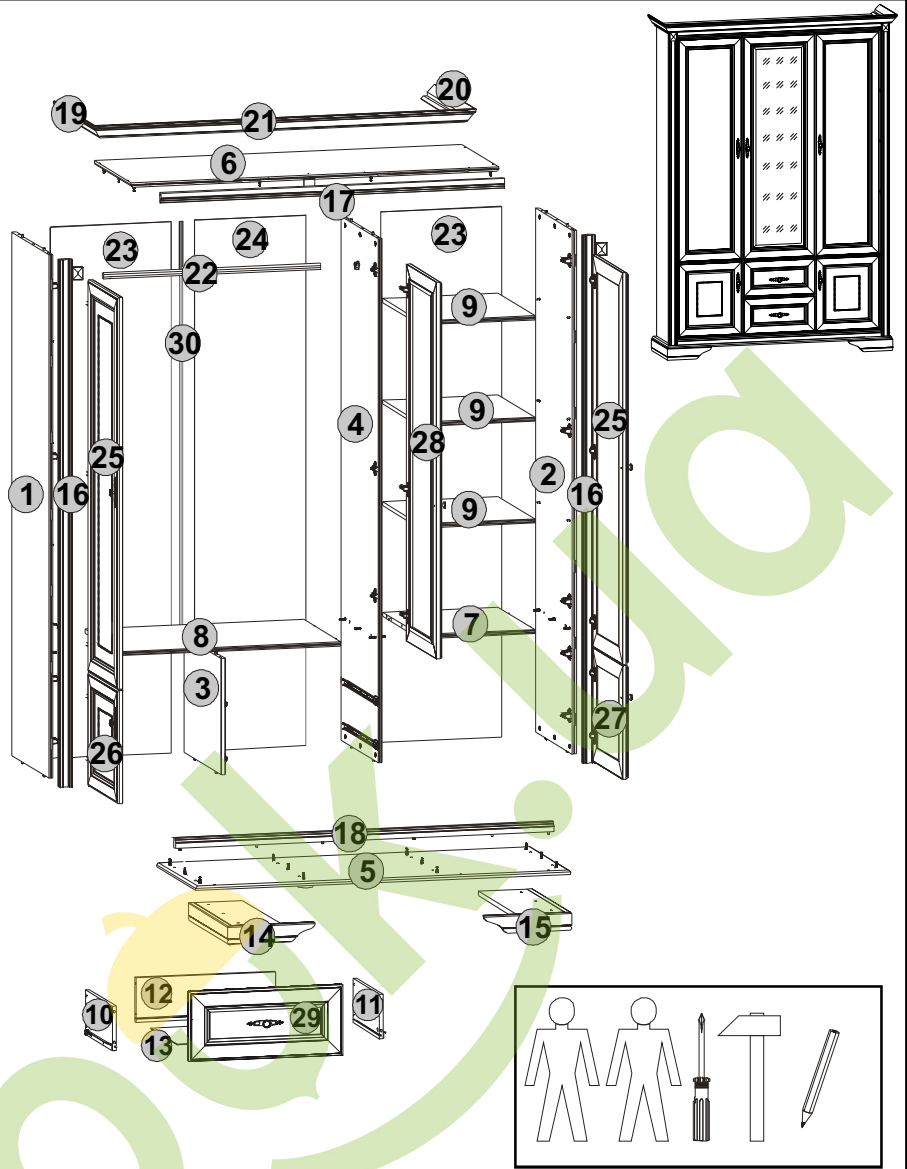


STYLIUS

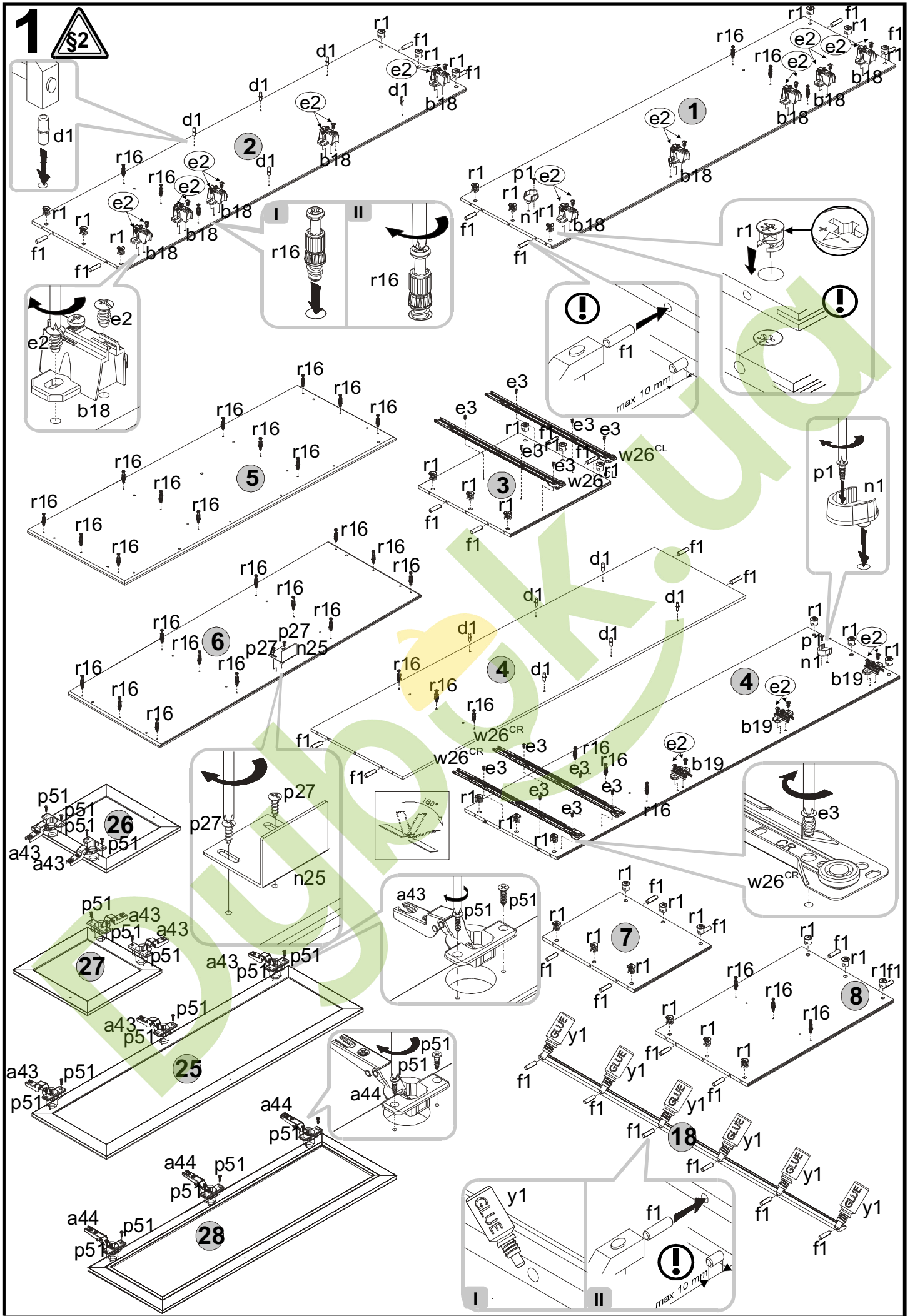
NSZF 3d2s

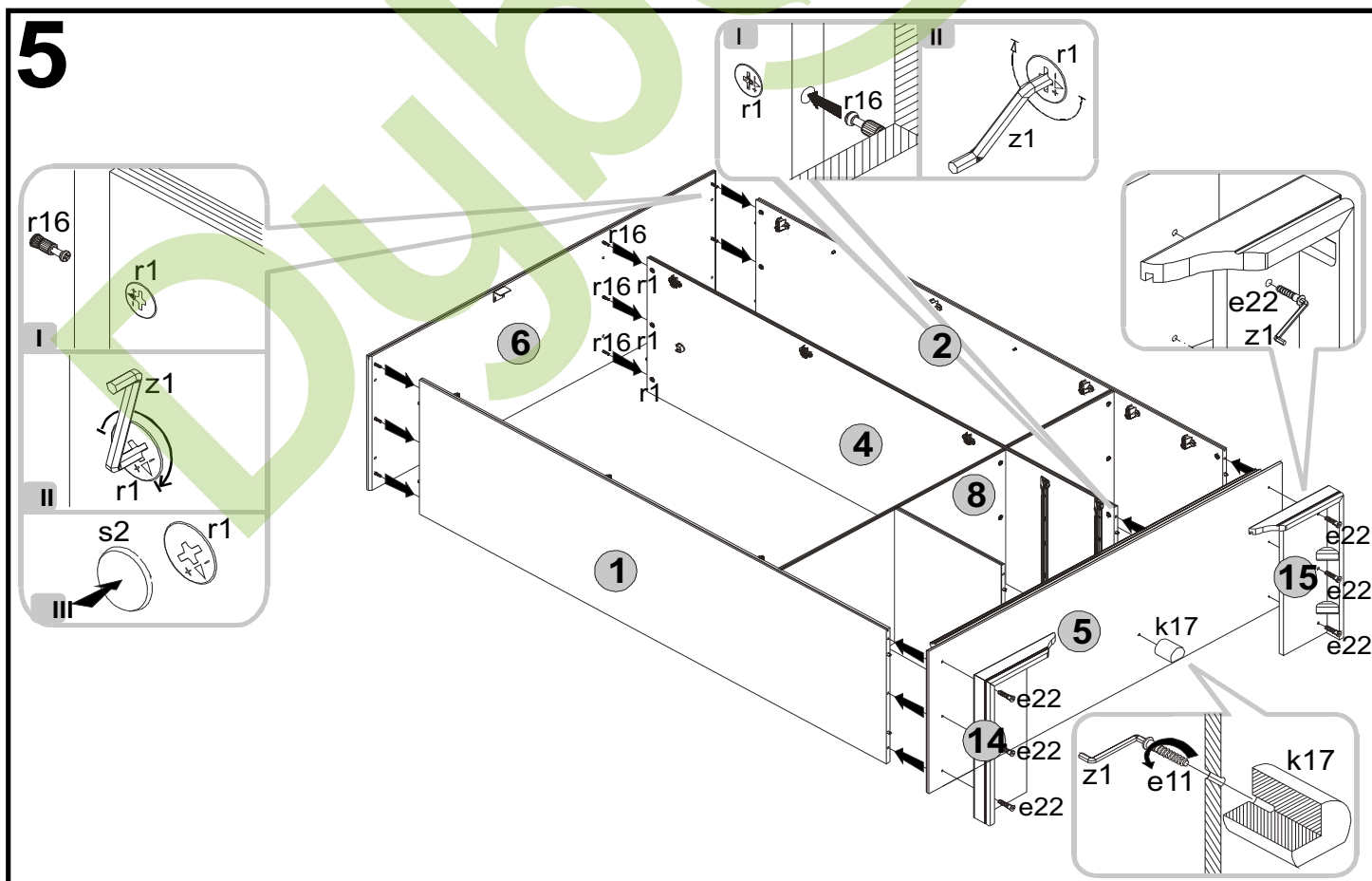
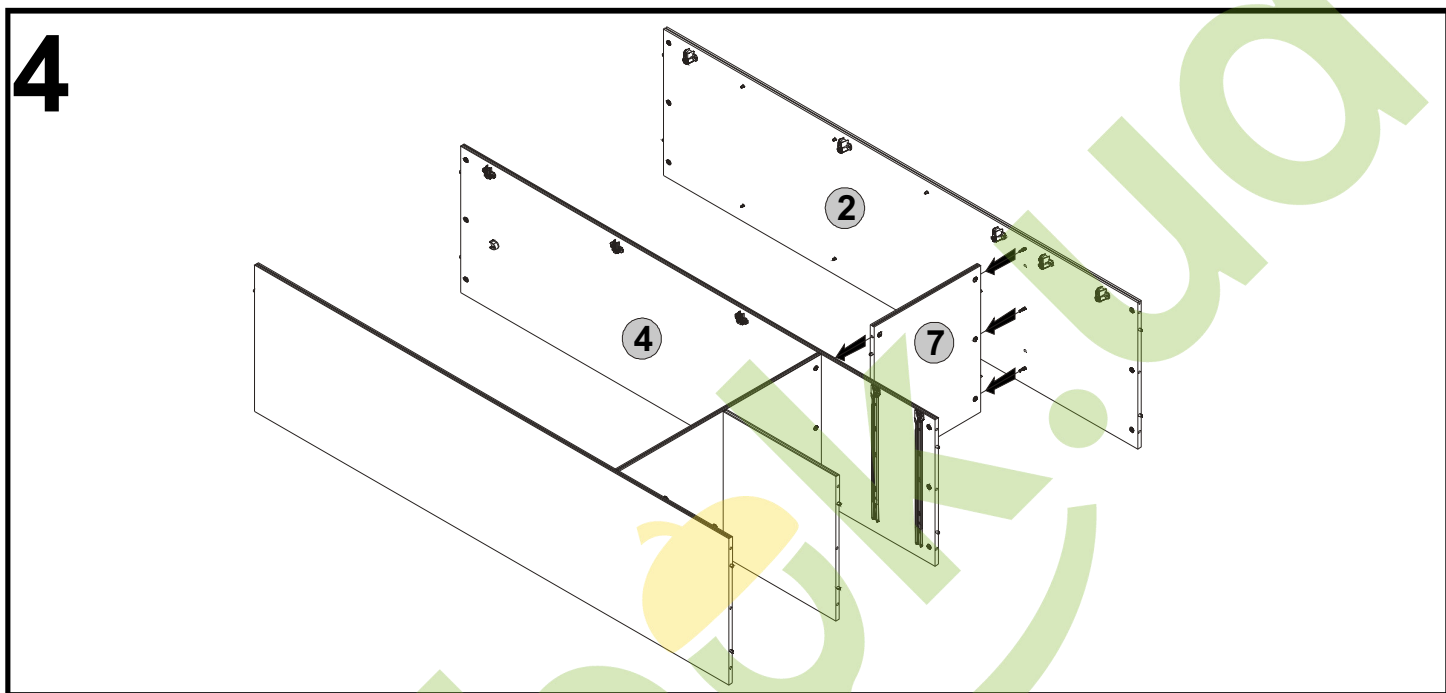
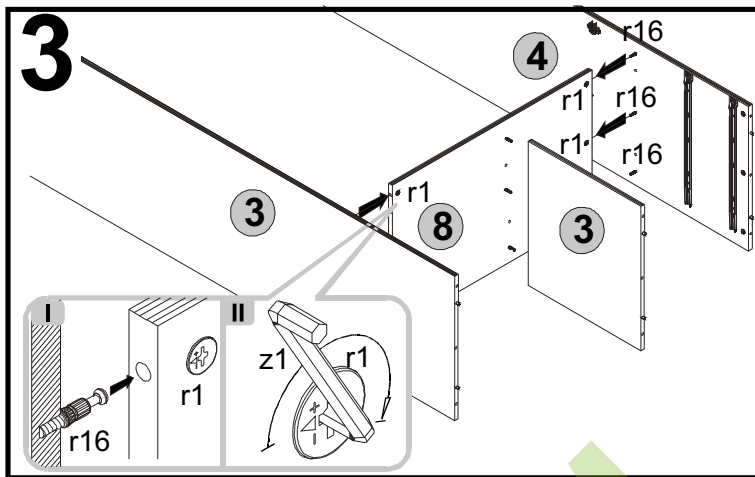
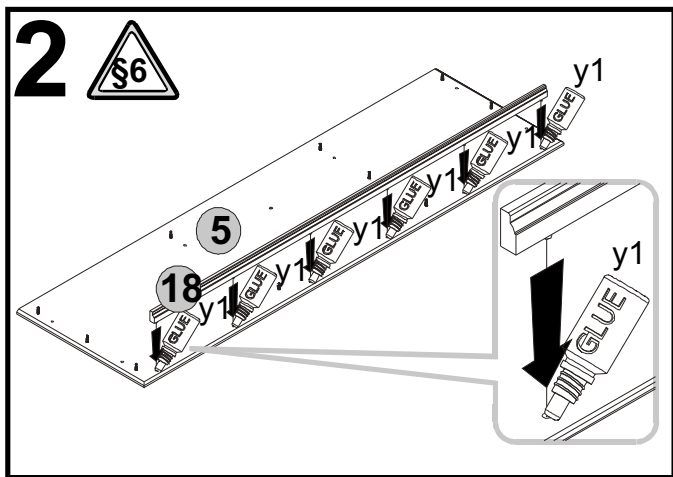


| A | C | B | D |
|----|----------|----------|-----|
| 1 | 2053x550 | S21-170 | 1/9 |
| 2 | 2053x550 | S21-128 | 1/9 |
| 3 | 479x550 | S21-172 | 2/9 |
| 4 | 2053x550 | S21-171 | 1/9 |
| 5 | 1472x583 | S21-261 | 3/9 |
| 6 | 1444x550 | S21-262 | 3/9 |
| 7 | 461x550 | S21-321 | 2/9 |
| 8 | 903x550 | S21-340 | 2/9 |
| 9 | 461x549 | S21-322 | 2/9 |
| 10 | 500x140 | S21-511 | 2/9 |
| 11 | 500x140 | S21-512 | 2/9 |
| 12 | 377x140 | S21-513 | 2/9 |
| 13 | 388x498 | S21-961 | 2/9 |
| 14 | 350x587 | S21-2587 | 5/9 |
| 15 | 350x587 | S21-2588 | 5/9 |
| 16 | 2069x50 | S21-588 | 4/9 |
| 17 | 1346x40 | S21-3503 | 4/9 |
| 18 | 1346x40 | S21-3502 | 4/9 |
| 19 | 609x79 | S21-1576 | 4/9 |
| 20 | 609x79 | S21-1577 | 4/9 |
| 21 | 1519x79 | S21-3501 | 4/9 |
| 22 | 898x30 | dr-898 | 2/9 |
| 23 | 2080x482 | S21-925 | 1/9 |
| 24 | 2080x441 | S21-960 | 1/9 |
| 25 | 1536x446 | S21-030 | 9/9 |
| 26 | 445x446 | S21-028 | 8/9 |
| 27 | 445x446 | S21-029 | 8/9 |
| 28 | 1536x446 | S21-060 | 7/9 |
| 29 | 446x221 | S21-020 | 6/9 |
| 30 | 1553x14 | Lh-1553 | 1/9 |

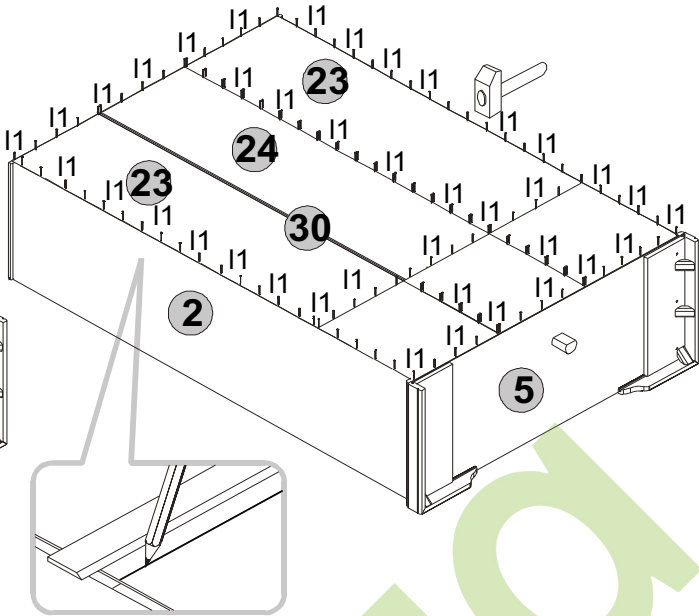
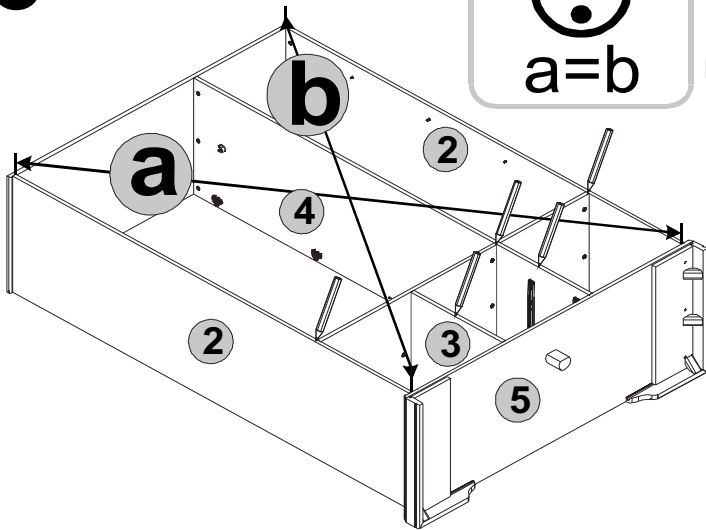
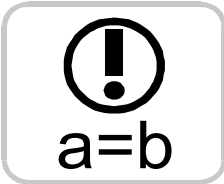


| | | | | | | |
|------------------------|------------------------|------------------------|------------------------|-----------------------|------------------------|-----------------------|
| 10x a43 | 3x a44 | 10x b18 | 3x b19 | 7x c84' | 7x c84'' | 12x d1 |
| 26x e2 | 12x e3 | 1x e11 | 12x e19 | 6x e22 | 30x f1 | 18x f11 |
| 8x f25 | 5x j6 | 2x j29 | 150x l1 | 2x l21 | 1x k17 | 2x n1 |
| 1x n25 | 2x n40 | 5x n54 | 2x p1 | 4x p20 | 2x p27 | 5x p35 |
| 5x p38 | 4x p46 | 26x p51 | 36x r1 | 8x r15 | 44x r16 | 8x s2 |
| 2x w26DR | 2x w26CR | 2x w26DL | 2x w26CL | 1x y1 | 1x z1 | |

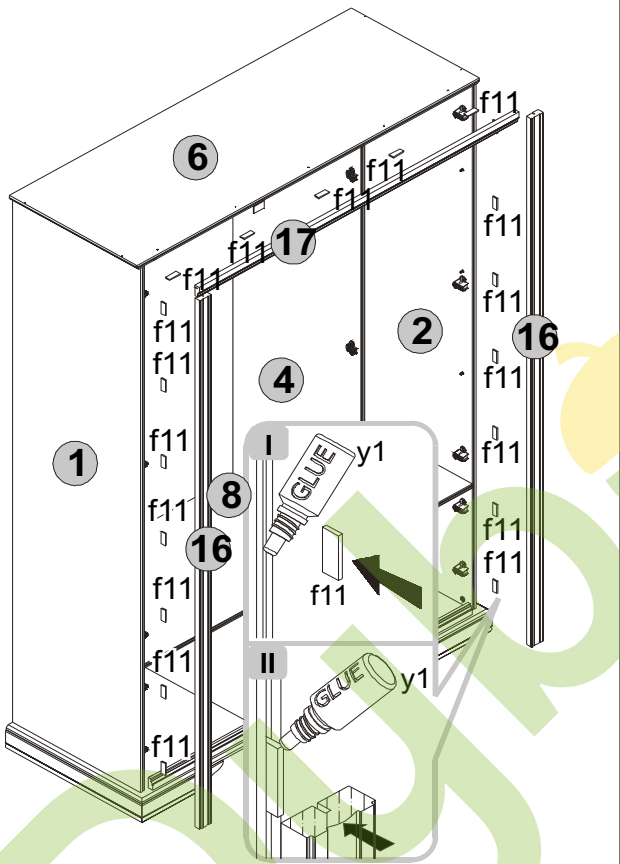




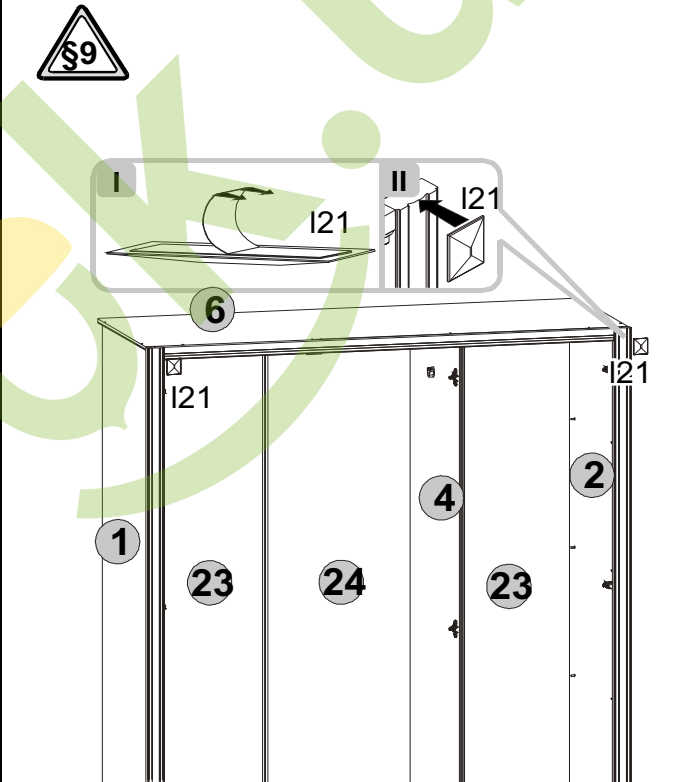
6



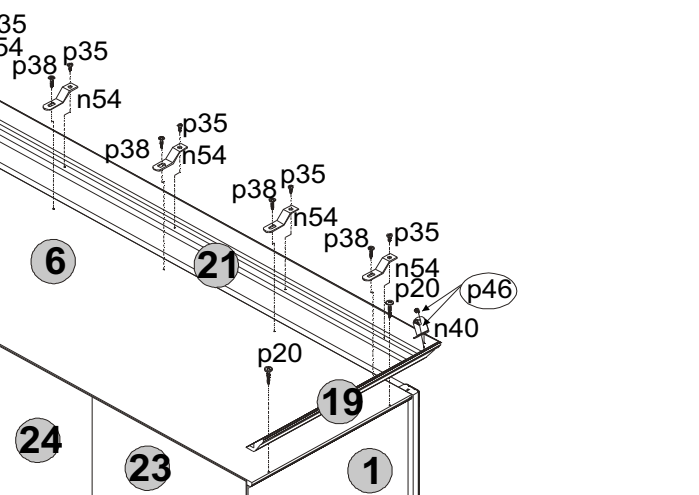
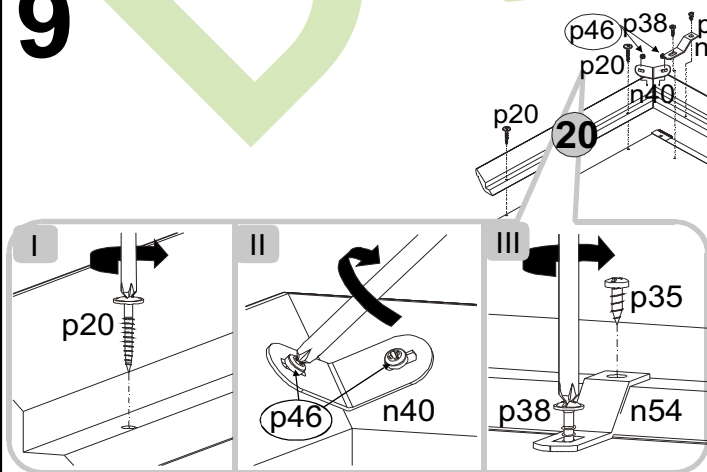
7



8

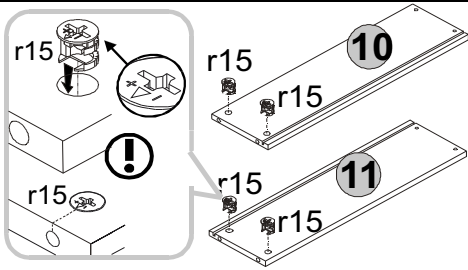


9

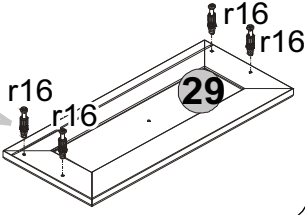
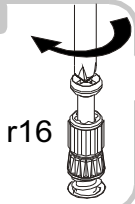


10

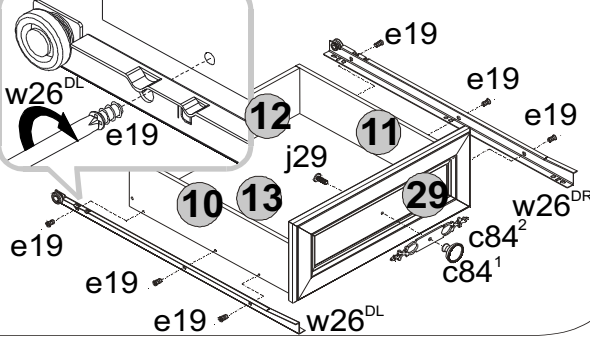
I



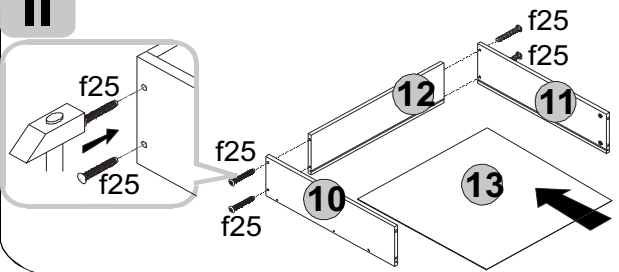
I



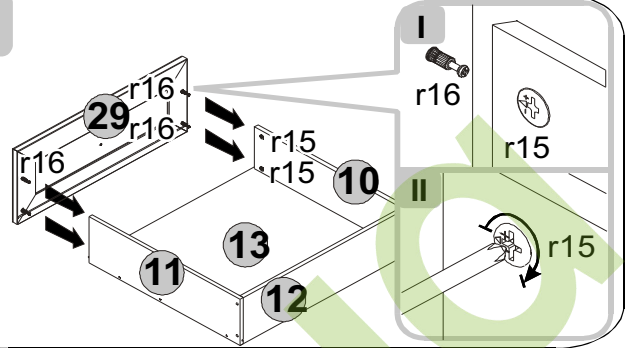
IV



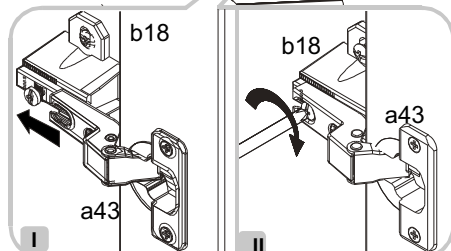
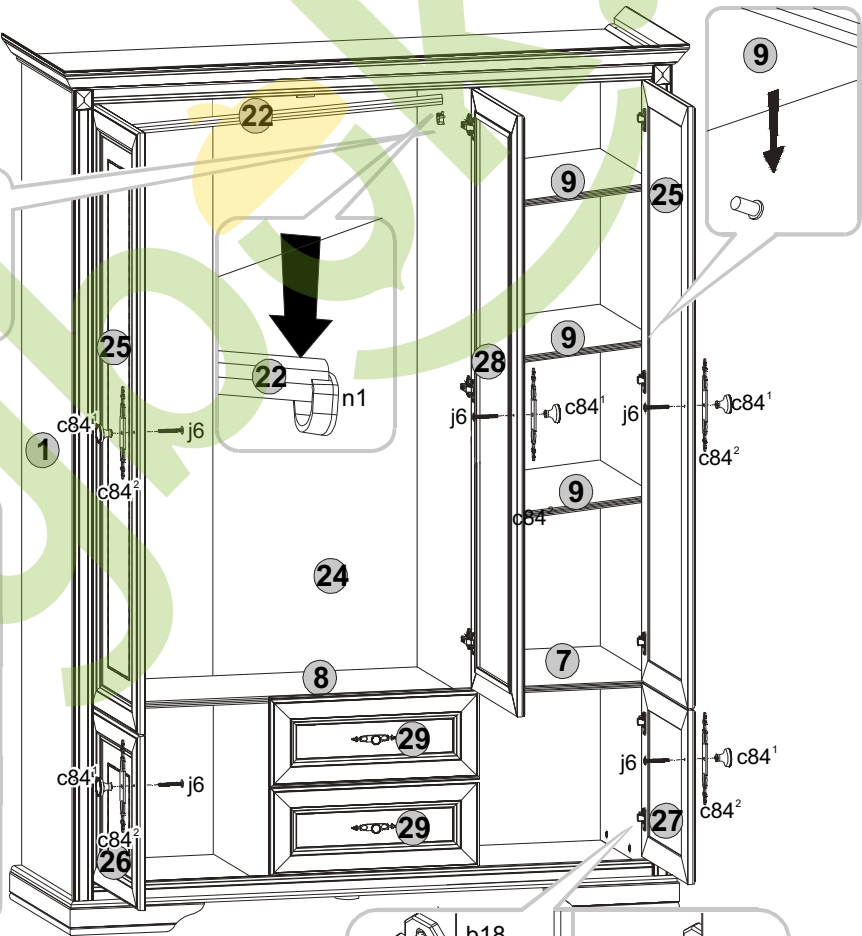
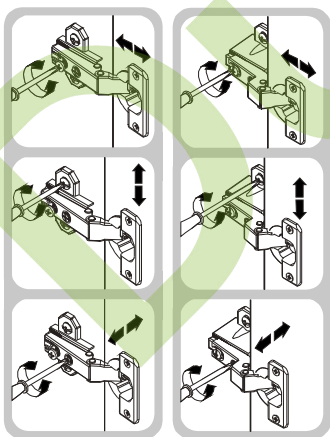
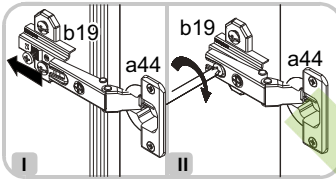
II



III



11



II