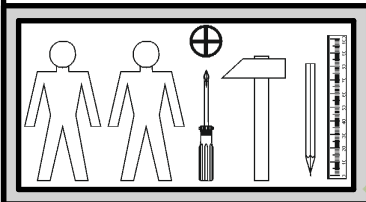
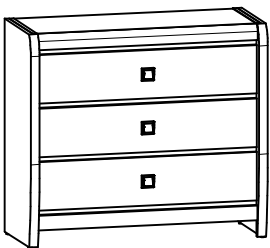
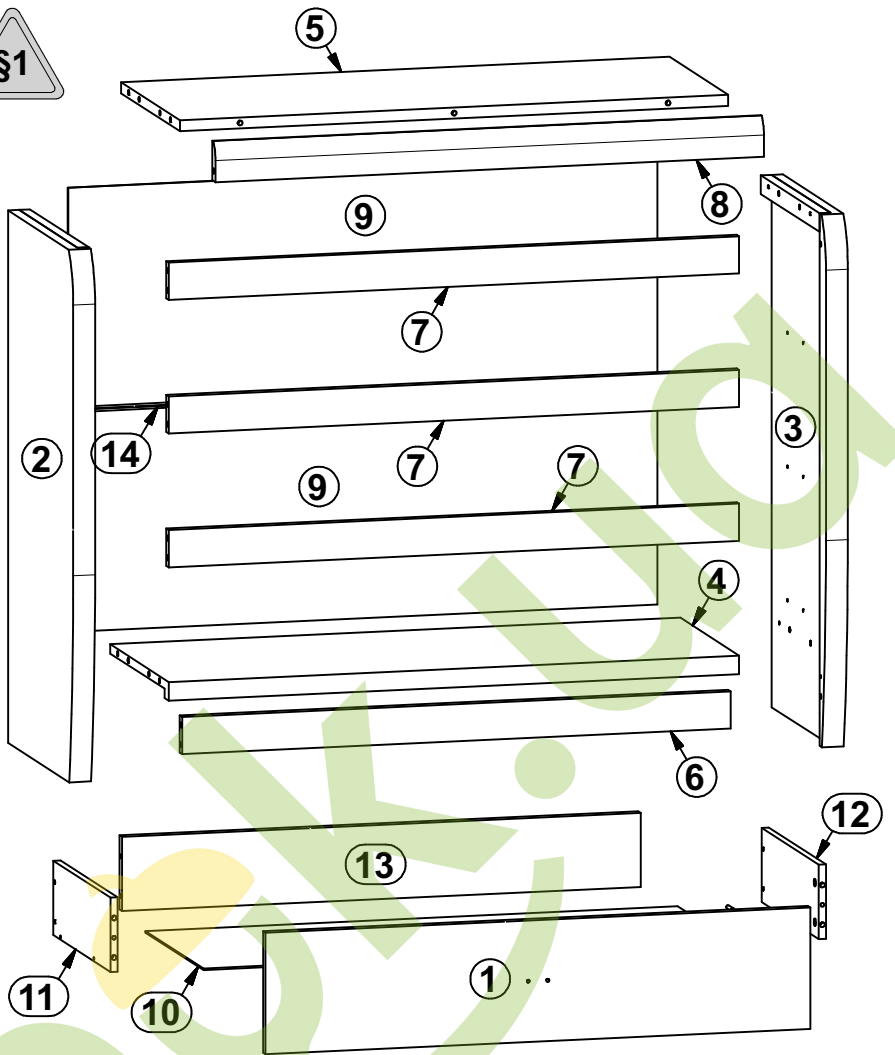
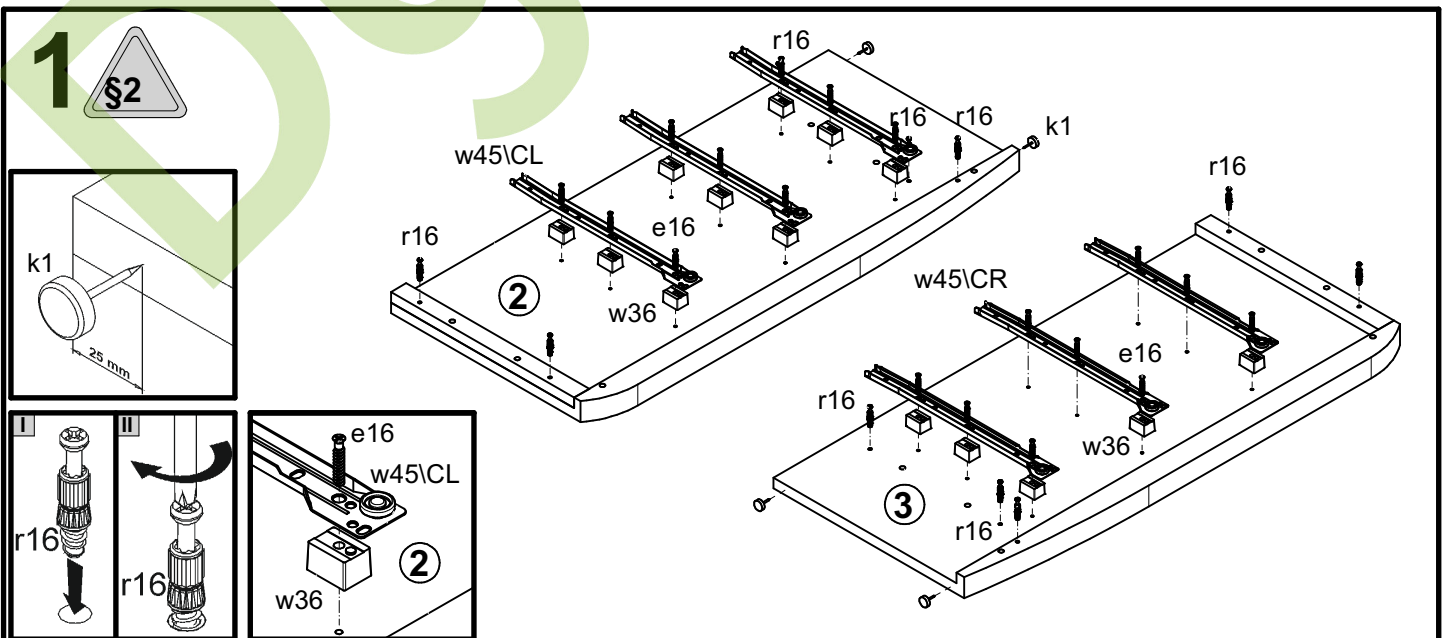


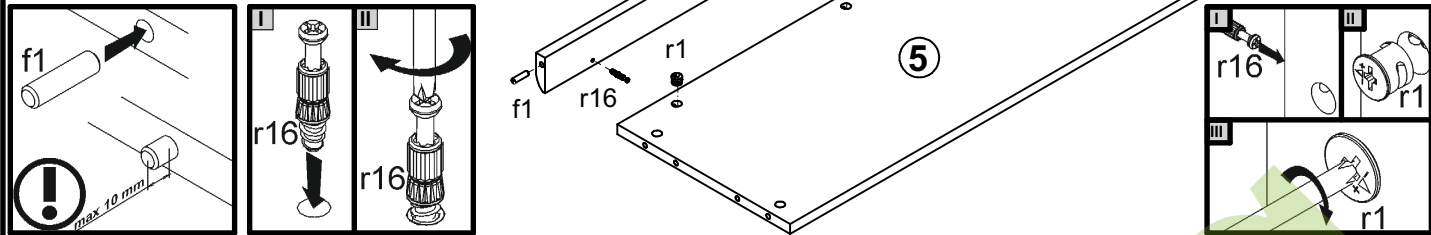
A	B	C	D	
1	S163-0003	896	196	2/2
2	S163-1105	860	400	1/2
3	S163-1106	860	400	1/2
4	S163-3301	938	359	1/2
5	S163-304	902	360	1/2
6	S163-4404	902	60	1/2
7	S163-4405	938	60	1/2
8	S163-503	902	64	1/2
9	S163-91902	969	717	1/2
10	S163-9904	875	355	1/2
11	ZS4-501	350	120	1/2
12	ZS4-502	350	120	1/2
13	ZS3-5512	853	120	1/2
14	Lh-939	939	14	1/2



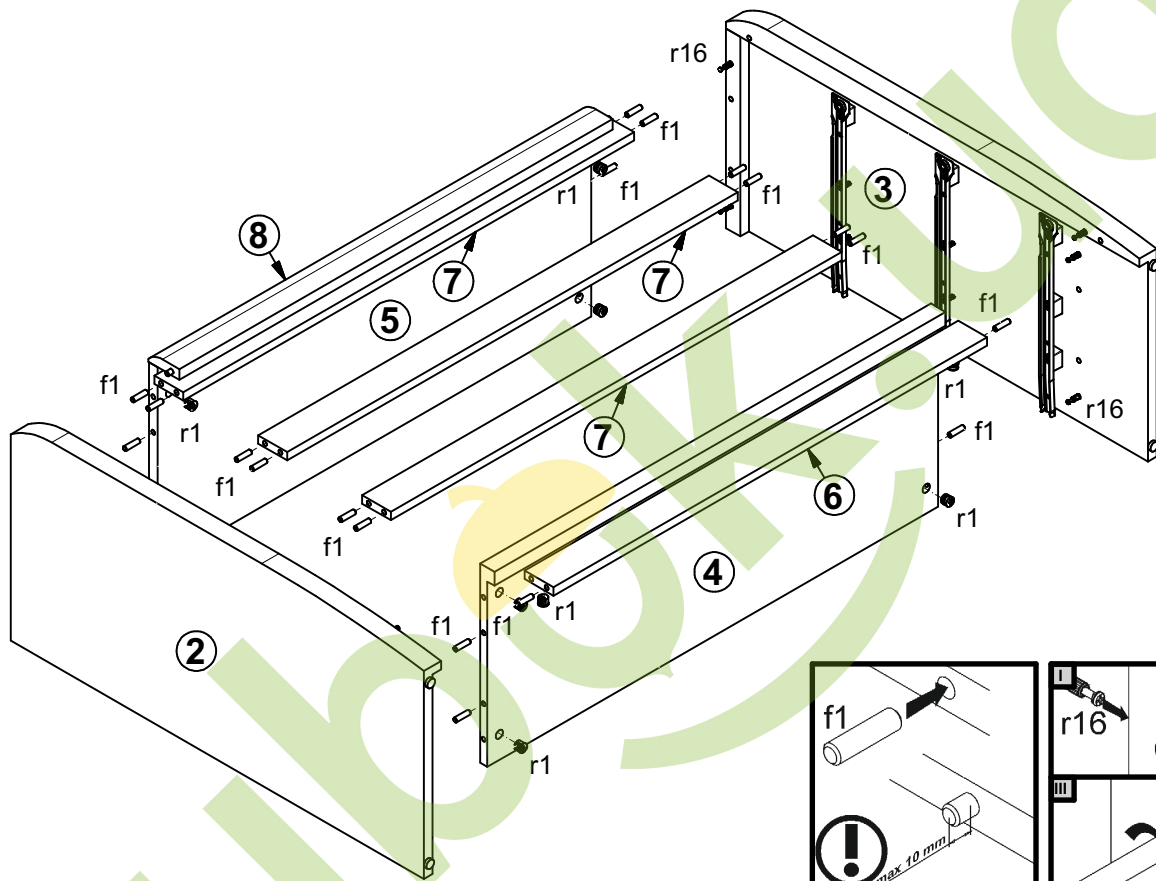
3x c333	18x Ш6x30 mm e16	12x Ш5x9 mm e19	24x Ш8x30 mm f1	6x Ш6x30 mm f9	12x Ш6.5x40 mm f25	6x M4x20 mm j1	4x k1	40x l1
3x Ш3.5x16 mm p25	3x Ш3.5x10 mm p35	18x Ш3.5x16 mm p38	13x Ш11.5x12 mm #16 r1	12x Ш11.2x10.5 mm #12 r15	25x r16	3x 350 mm t35	18x H=18 mm w36	3x 350 mm w45\CL
3x 350 mm w45\CR	3x 350 mm w45\DL	3x 350 mm w45\DR	1x n2611	1x Ш3.5x16 mm p38				



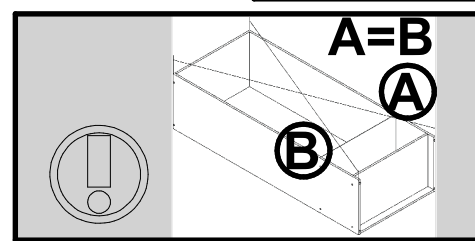
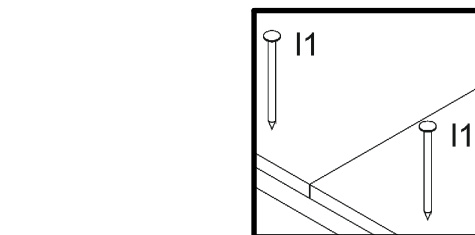
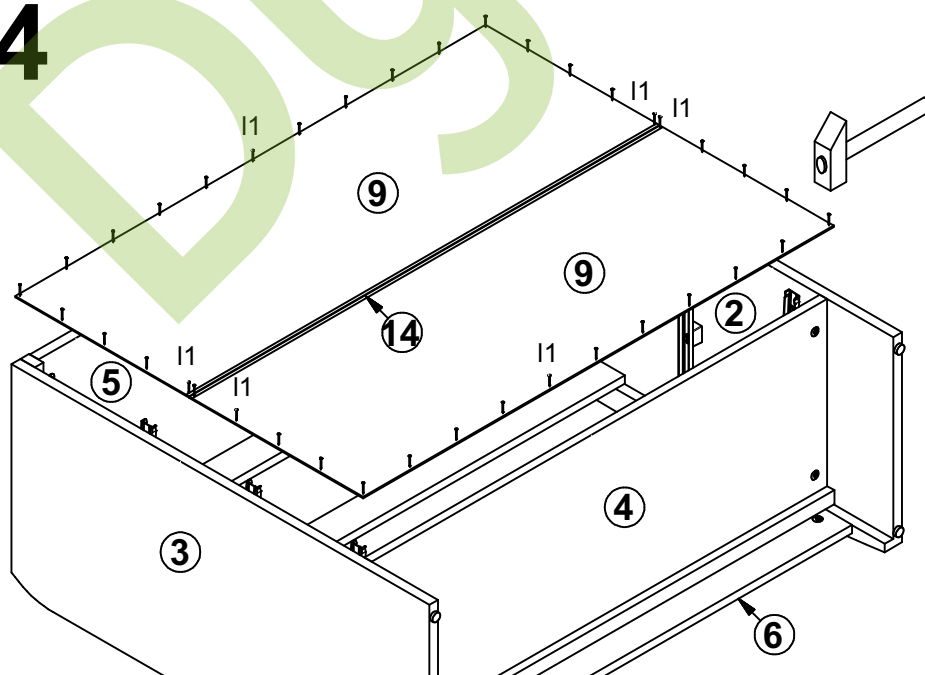
# 2



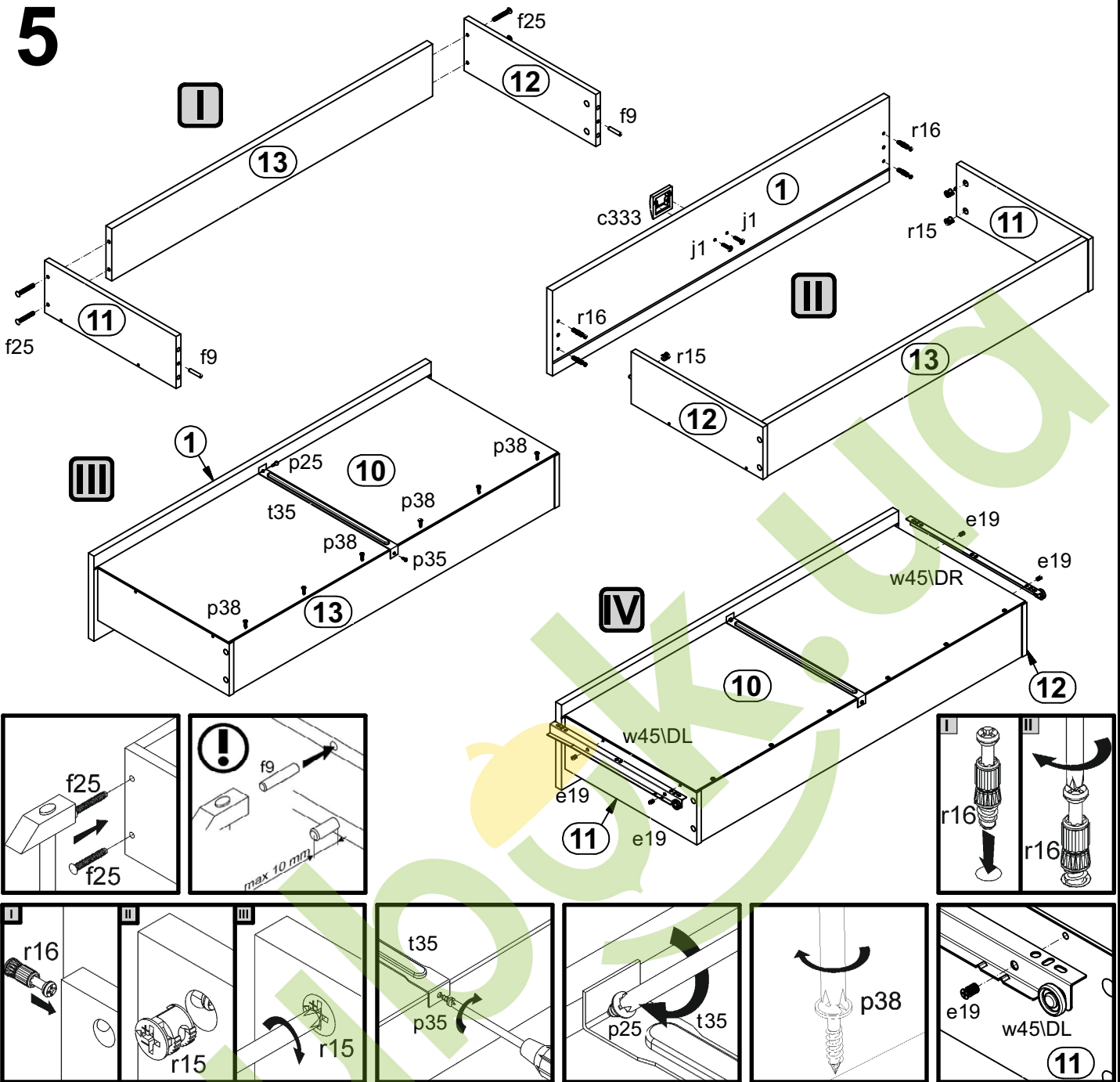
# 3



# 4



# 5



# 6

