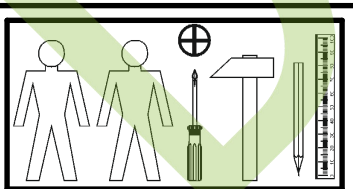
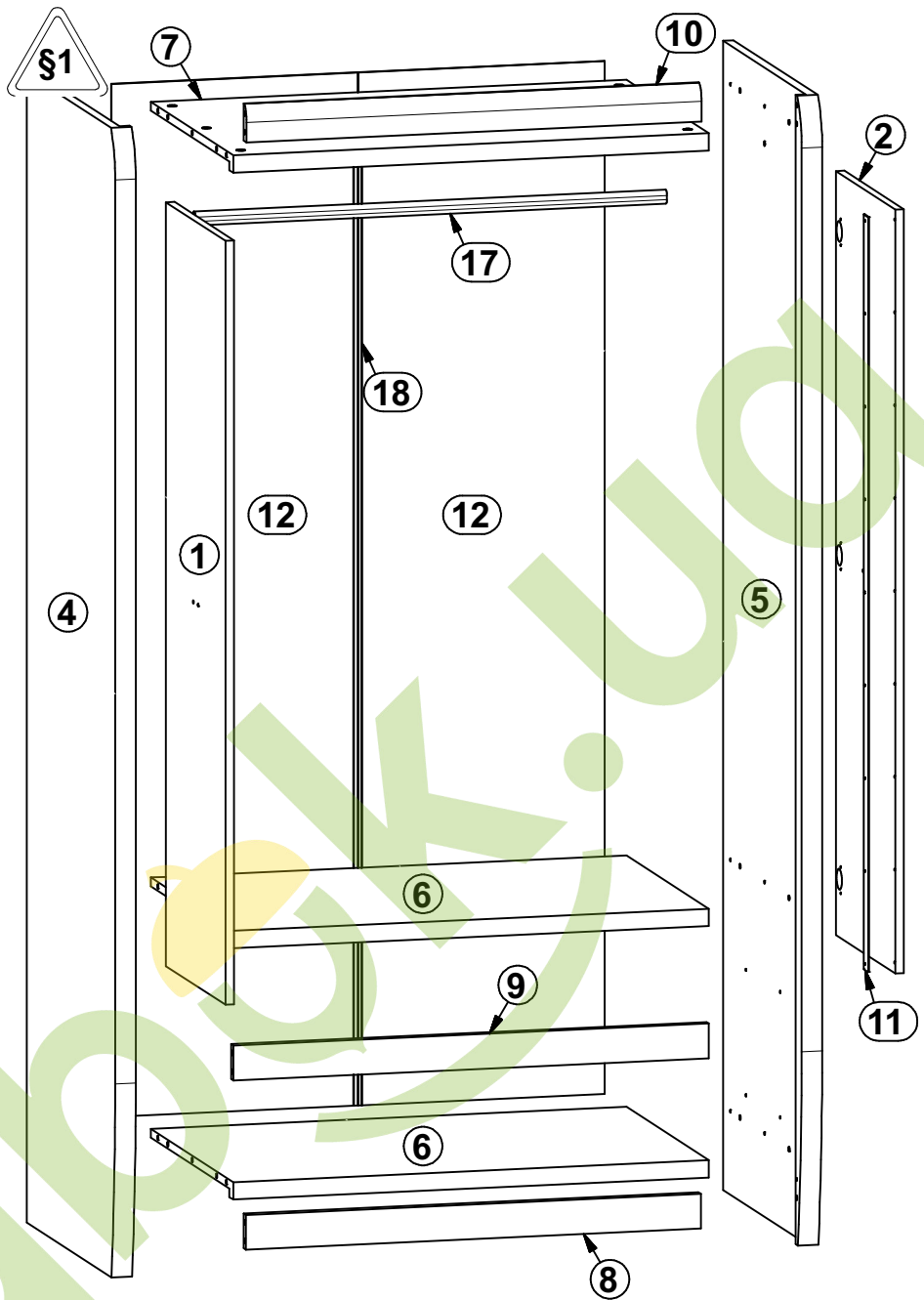
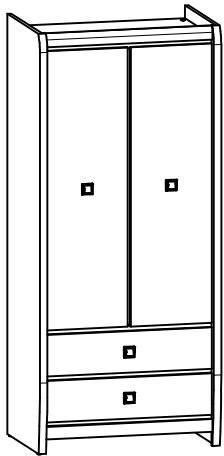


# LOREN

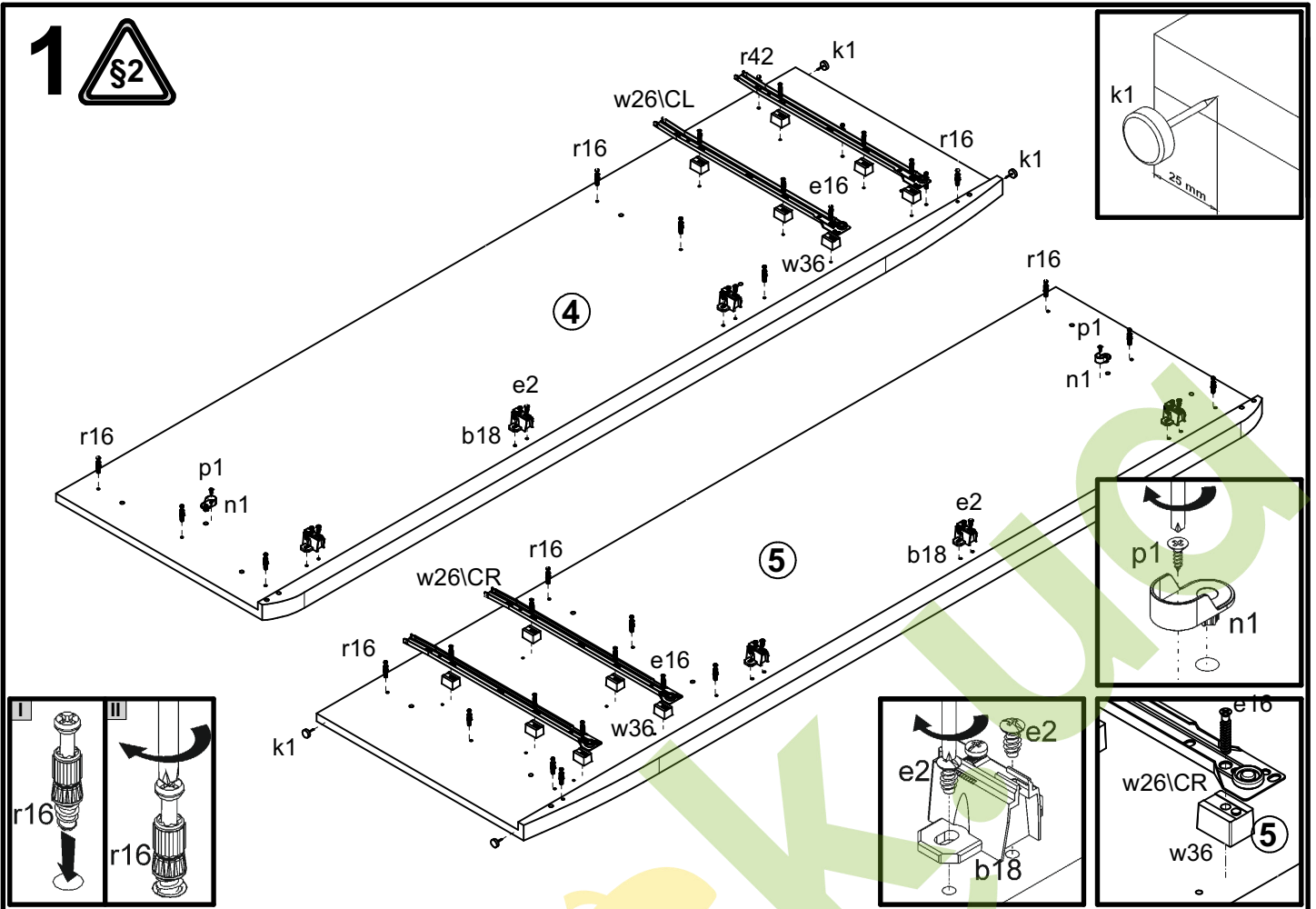
# S163-SZF2D2S

A	B	C	D	
1	S163-0007	1316	389	3/4
2	S163-0008	1316	389	3/4
3	S163-0009	792	196	4/4
4	S163-1101	1980	580	1/4
5	S163-1102	1980	580	1/4
6	S163-3308	834	539	2/4
7	S163-3335	834	539	2/4
8	S163-4403	798	60	2/4
9	S163-4409	834	60	2/4
10	S163-506	798	64	2/4
11	S163-507	1300	29	1/4
12	S163-91905	1779	432	1/4
13	S163-9909	771	505	1/4
14	ZS3-5516	749	120	2/4
15	ZS4-505	500	120	2/4
16	ZS4-506	500	120	2/4
17	dr-827	827	22	2/4
18	Lh-1749	1749	14	1/4

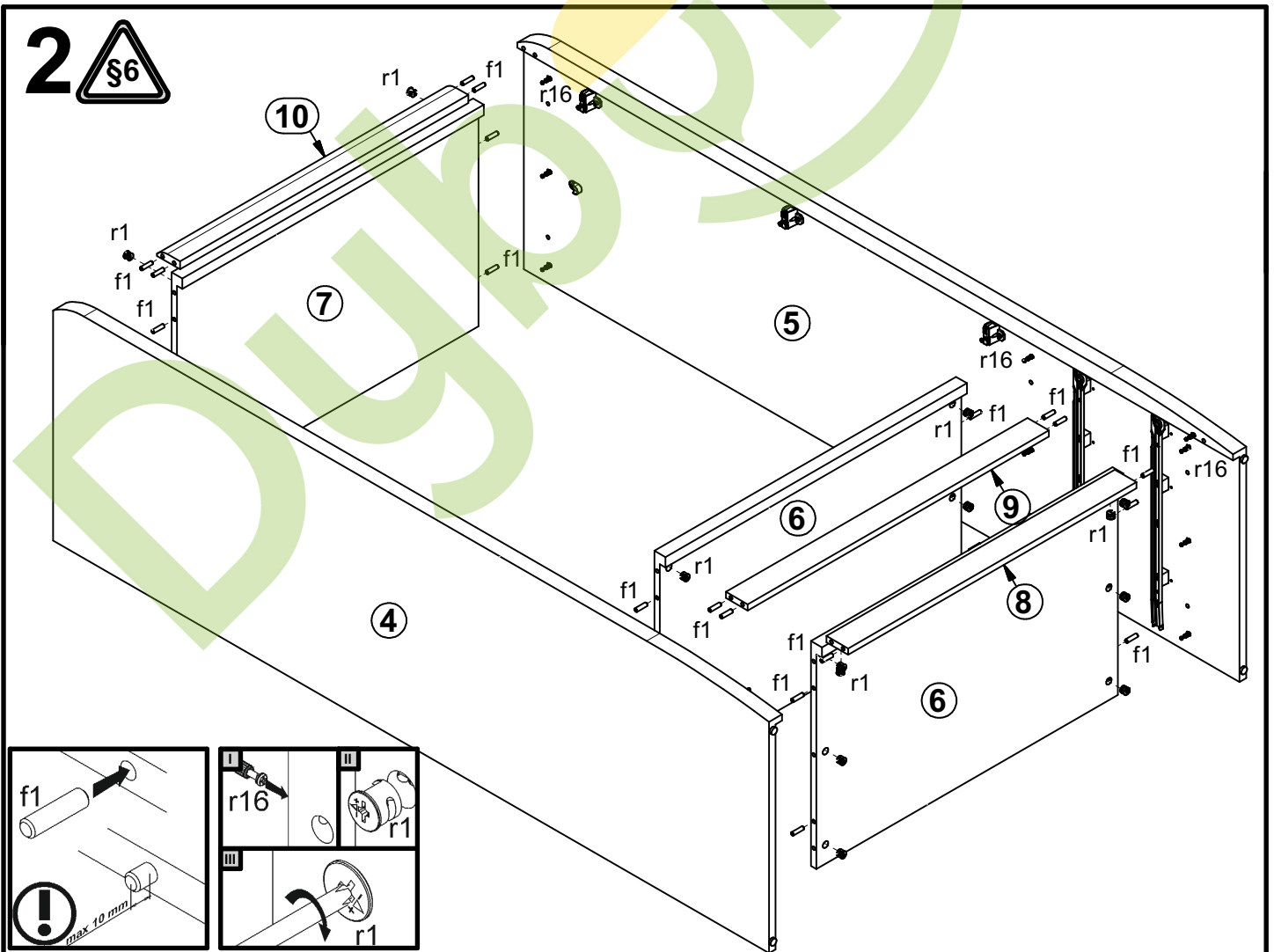


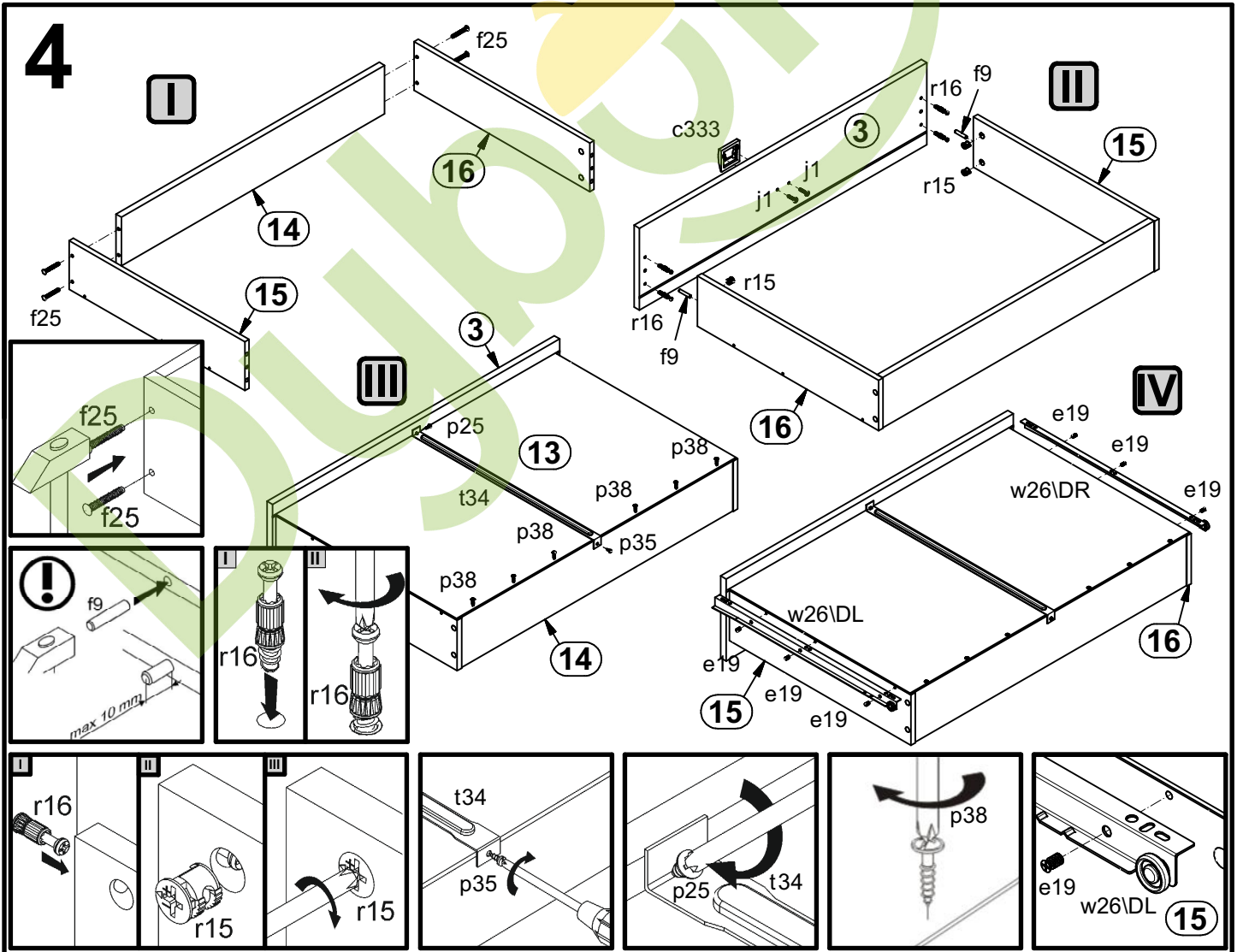
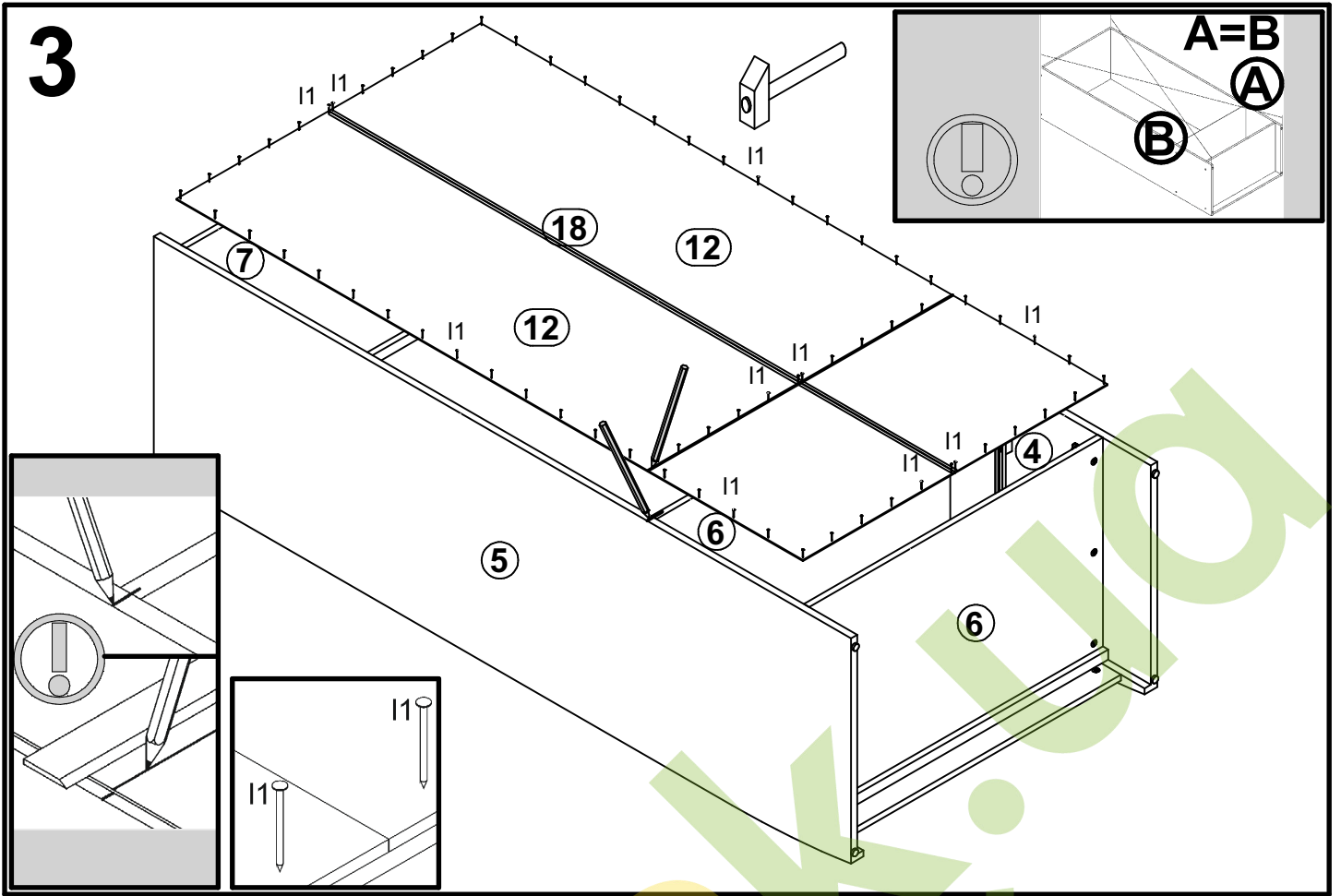
6x  a43	6x  b18	4x  c333	12x  e16 M6x30 mm	12x  e19 M6x9 mm	12x  e2 M6,3x13 mm	22x  f1 M8x30 mm	4x  f9 M6x30 mm	8x  f25 M6,5x40 mm
8x  j1 M4x20 mm	4x  k1	60x  l1	2x  n1	2x  p1 M6,5x13 mm	2x  p25 M6,5x16 mm	2x  p35 M6,5x10 mm	21x  p38 M6,5x16 mm	12x  p51 M6,5x15 mm
20x  r1 M4,5x12 mm #16	8x  r15 M4,2x10,5 mm #12	28x  r16	2x  t34 500 mm	2x  w26\CL 500 mm	2x  w26\CR 500 mm	2x  w26\DL 500 mm	2x  w26\DR 500 mm	12x  w36 H=18 mm
1x  n26\1	1x  p38 M6,5x16 mm							

# 1



# 2





# 5

