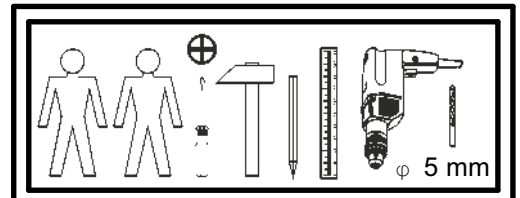
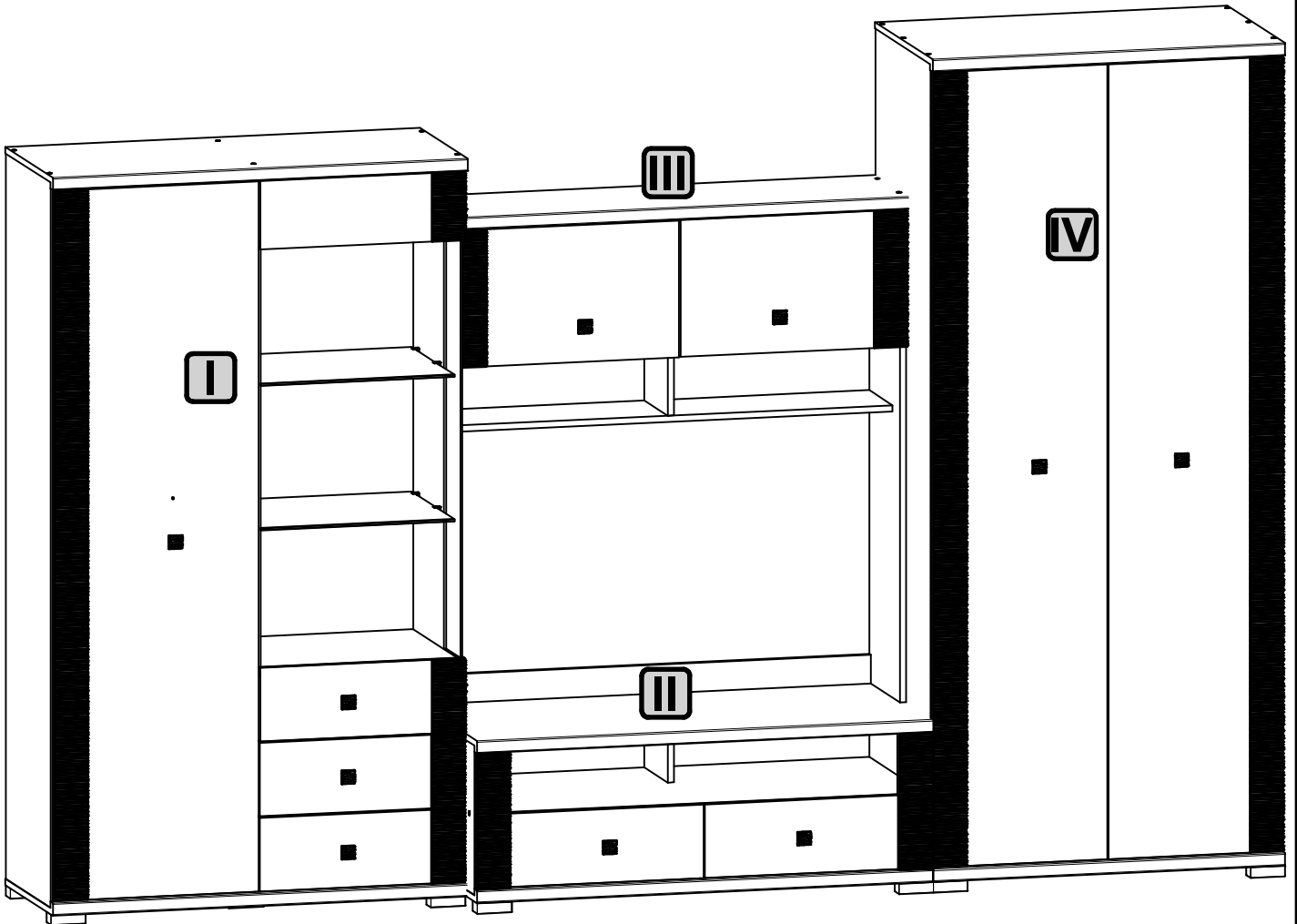


M116-JASPI

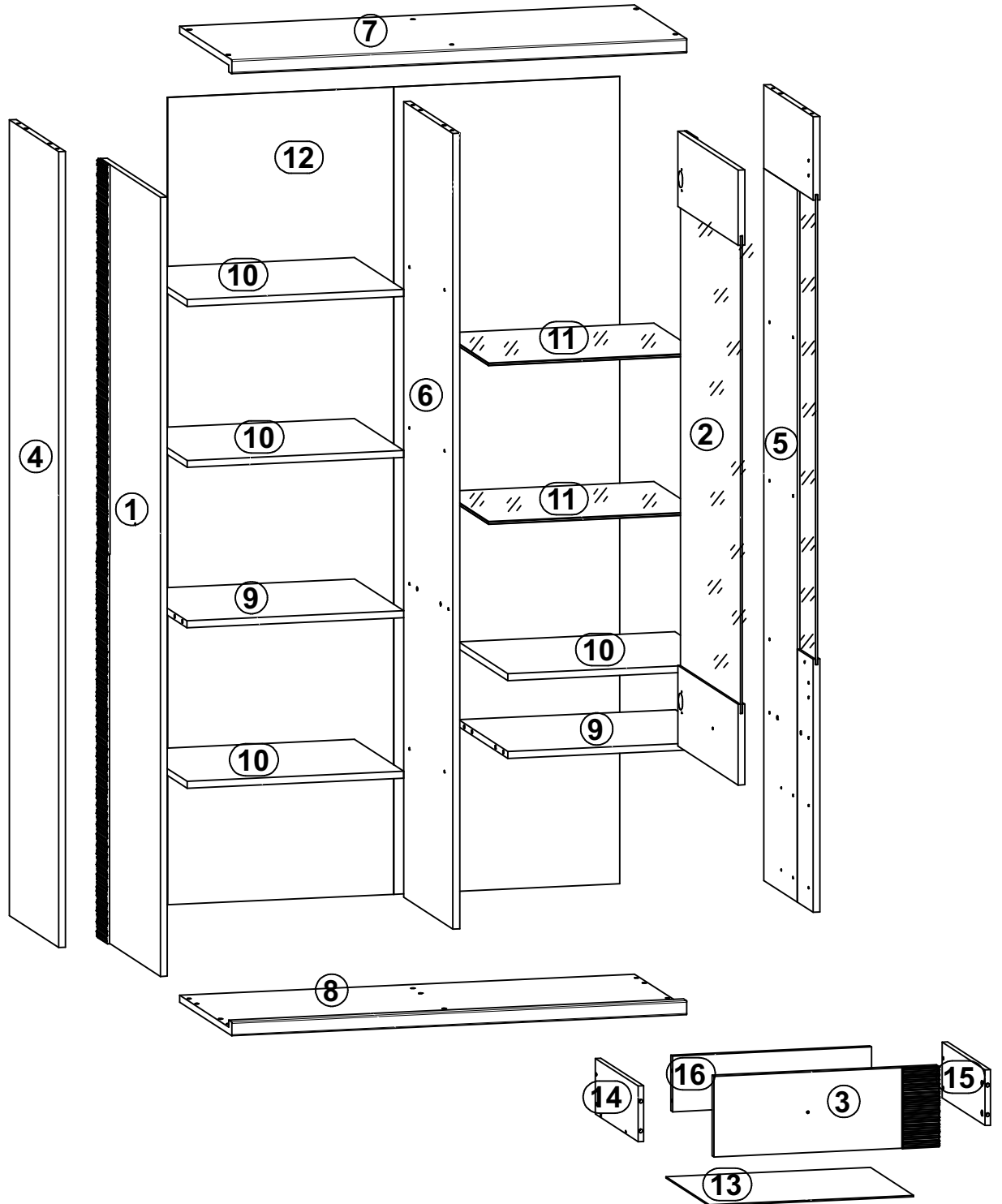
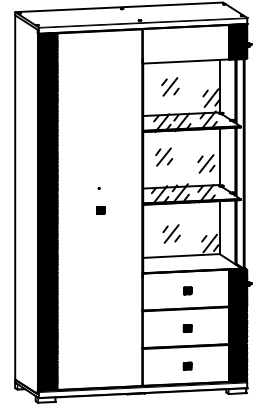


| | | | | | | | | |
|------------------------|--------------------------|-------------------------|---------------------------|-------------------------|--------------------------|-------------------------------|--------------------------|----------------------------|
| 82x w45\30 mm f1 | 17x b19 | 40x r42 | 34x w6_3x13 mm e2 | 16x d1 | 8x d12 | 2x 350 mm w45\CL e3 | 29x w13 mm e3 | 24x w15x12 mm #16 r1 |
| 2x 350 mm w45\CR | 24x w8_5x16 mm p38 | 54x w7x50 mm e1 | 14x 84x40/25 mm k77 | 28x w4x25 mm p36 | 16x w6_5x40 mm f25 | 16x w12x10.5 mm #12 r15 | 2x 350 mm w45\DL | 16x w5x9 mm e19 |
| 2x 350 mm w45\DR | 10x c295\2 | 10x c295\1 | 10x M4x22 mm j30 | 275x l1 | 17x a44 | 34x w8_5x15 mm p51 | 2x 450 mm w24\CL | 2x 450 mm w24\CR |
| 3x w8x12 mm p54 | 2x 450 mm w24\DL | 2x 450 mm w24\DR | 2x 62x12/1 mm n52 | 6x w8_5x16 mm p25 | 2x n1 | 2x w8_5x13 mm p1 | 12x M4x12 mm j45\1 | 6x j45\2 |
| 2x z1 | 2x n26\1 | 2x w8_5x16 mm p38 | 18x w16 s2 | 13x s1 | | | | |

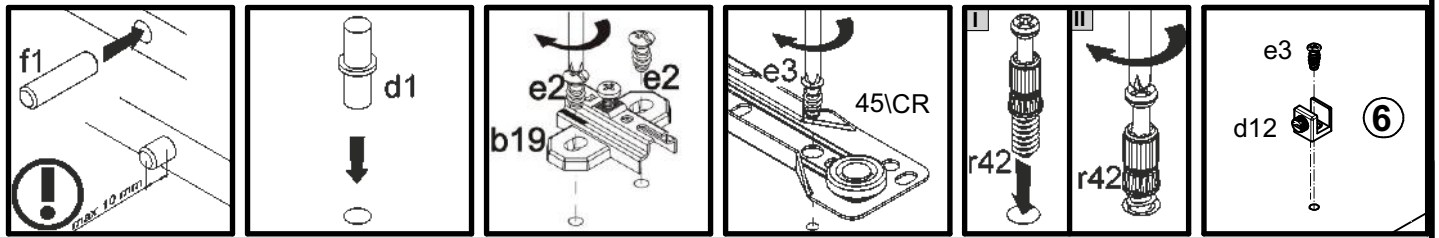
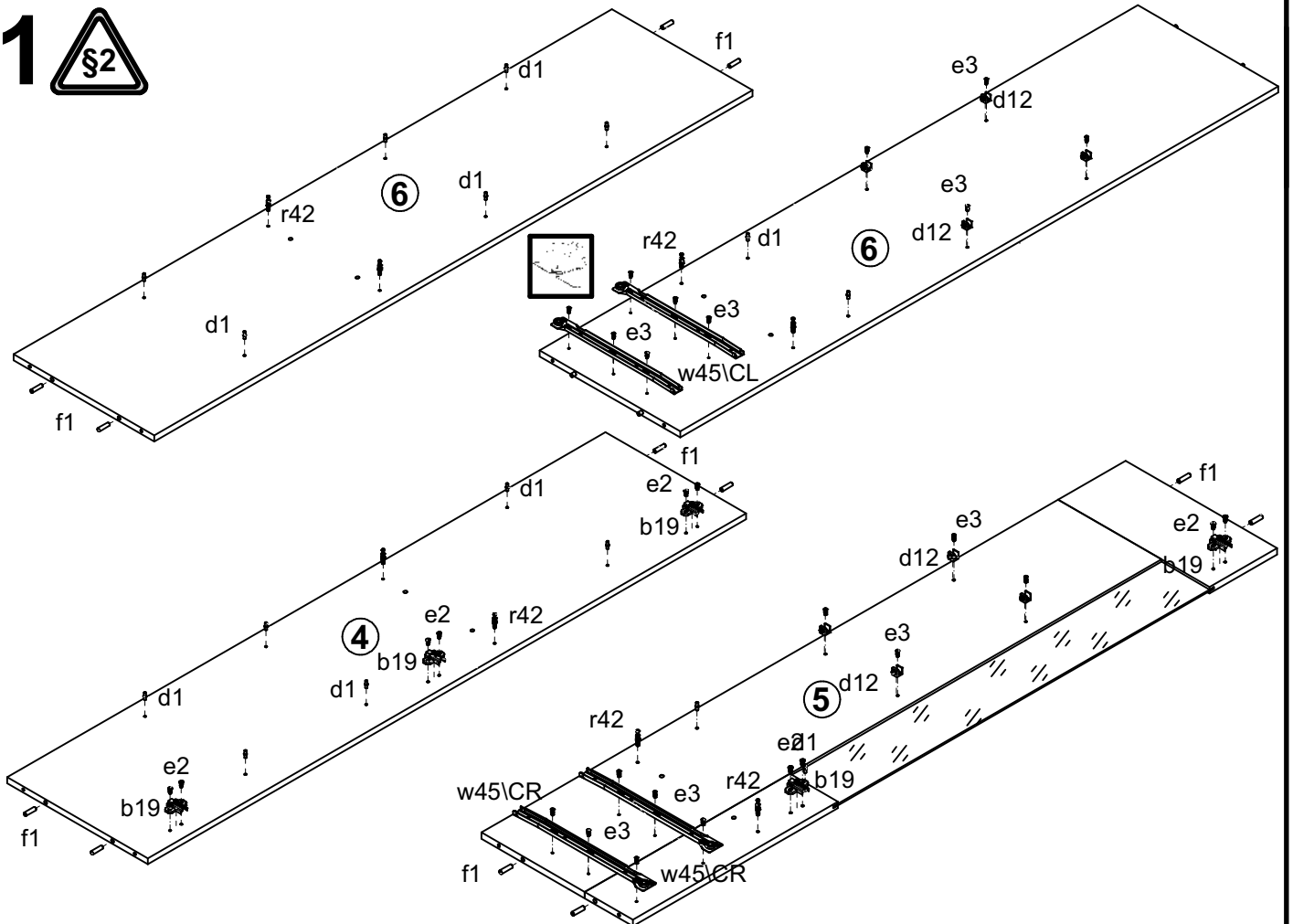


M116-REG1D1W2S

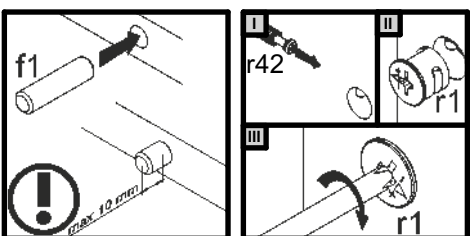
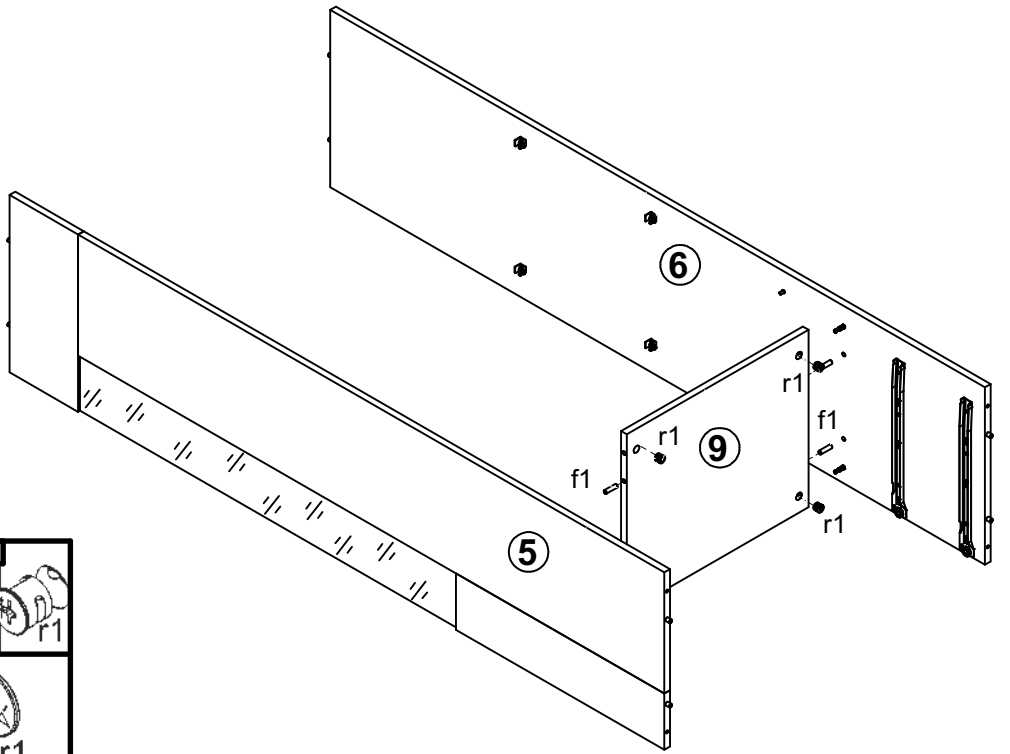
| A | B | C | D | A | B | C | D | | |
|----|-----------|------|-----|-----|----|----------|------|-----|-----|
| 1 | M116-0005 | 1680 | 493 | 9/9 | 12 | M116-906 | 1741 | 993 | 5/9 |
| 2 | M116-0006 | 1326 | 493 | 9/9 | 13 | M116-907 | 449 | 355 | 5/9 |
| 3 | M116-0007 | 493 | 174 | 9/9 | 14 | ZS3-509 | 350 | 120 | 1/9 |
| 4 | M116-1112 | 1716 | 403 | 1/9 | 15 | ZS3-510 | 350 | 120 | 1/9 |
| 5 | M116-1113 | 1716 | 403 | 9/9 | 16 | ZS3-5528 | 427 | 120 | 1/9 |
| 6 | M116-1114 | 1716 | 403 | 1/9 | | | | | |
| 7 | M116-2206 | 1002 | 428 | 3/9 | | | | | |
| 8 | M116-2207 | 1002 | 428 | 3/9 | | | | | |
| 9 | M116-3305 | 476 | 403 | 1/9 | | | | | |
| 10 | M116-3306 | 475 | 403 | 1/9 | | | | | |
| 11 | M116-502 | 467 | 383 | 4/9 | | | | | |



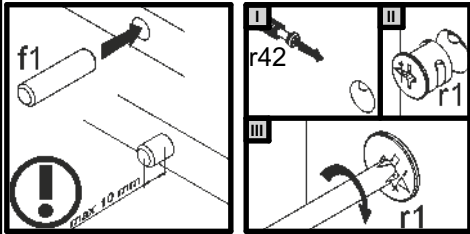
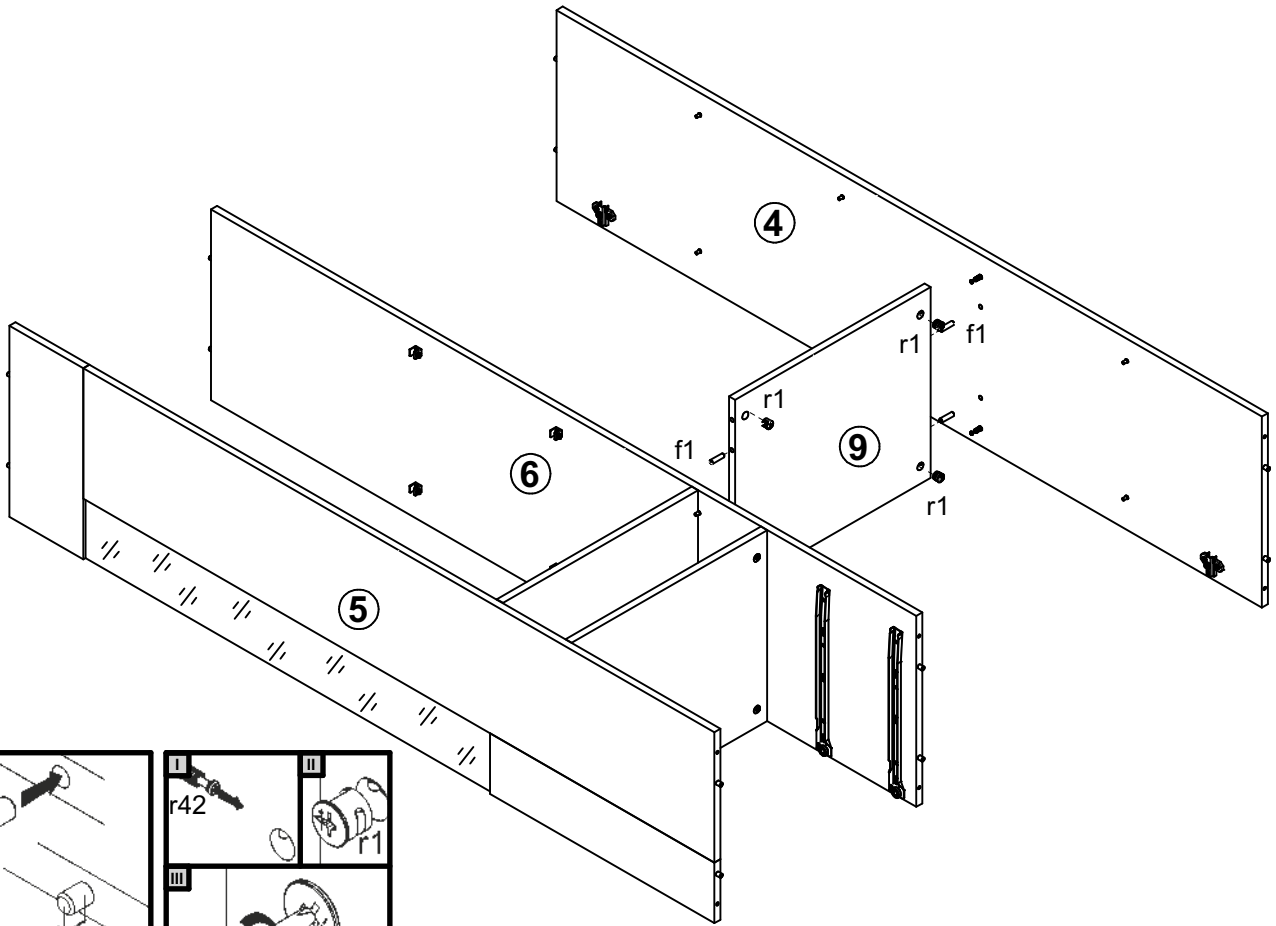
1



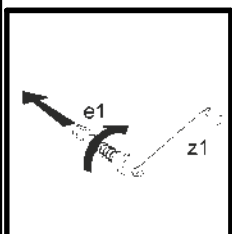
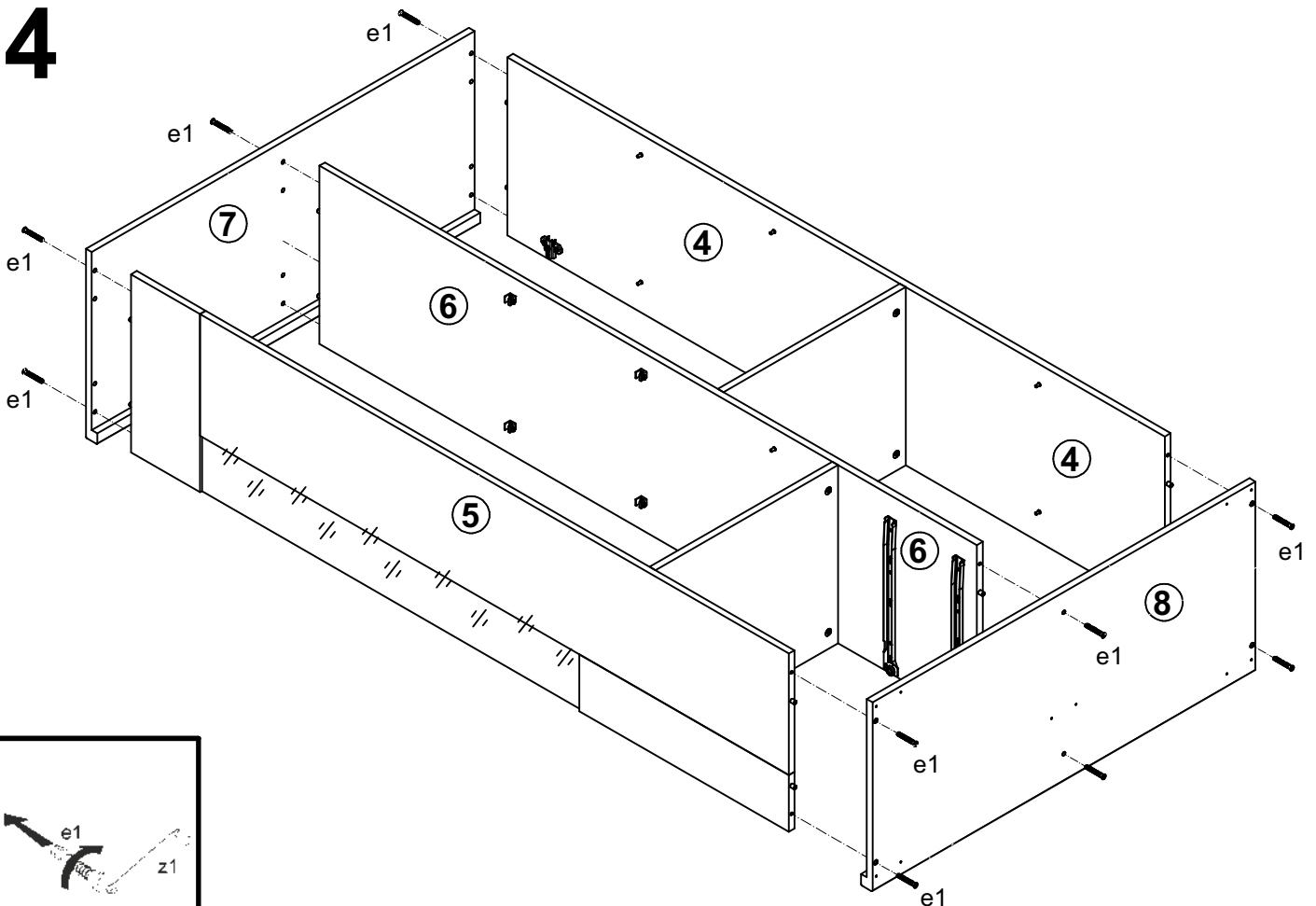
2



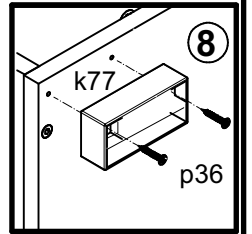
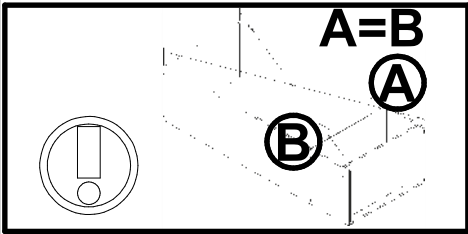
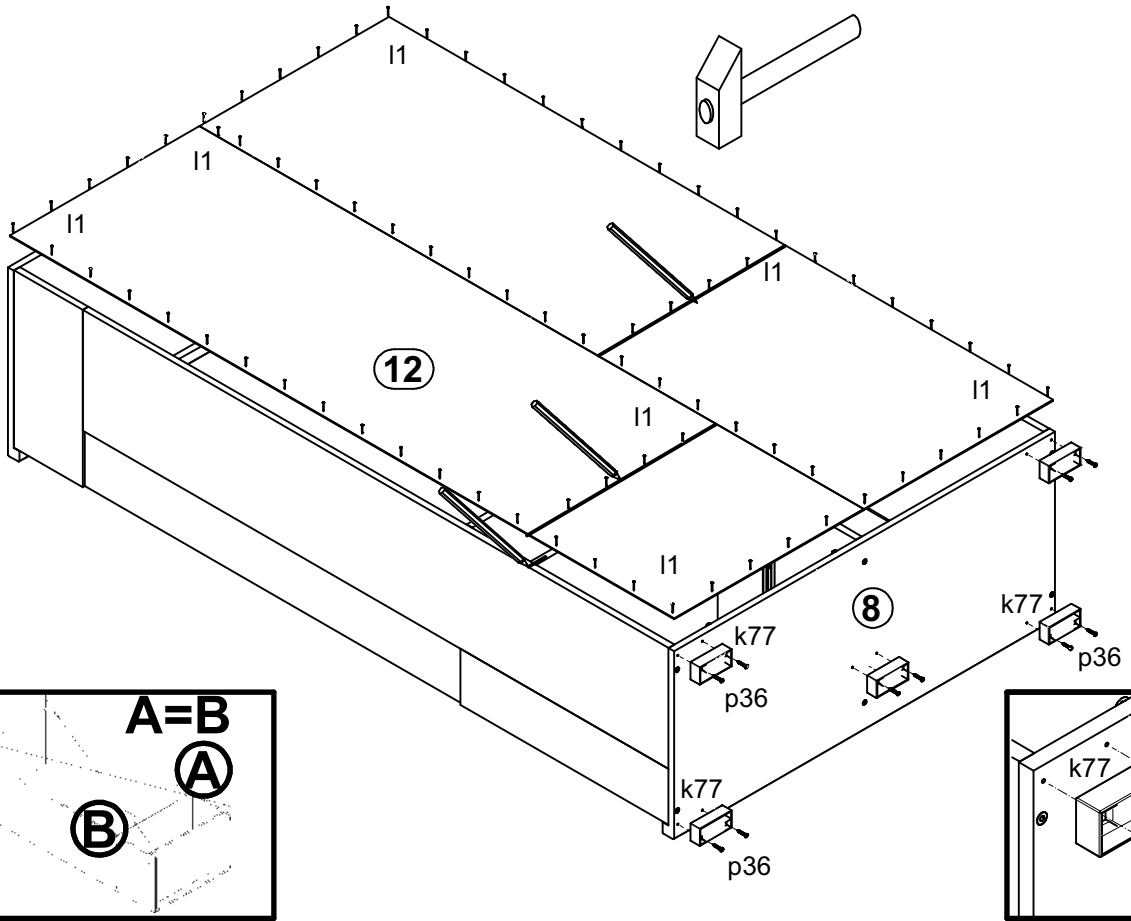
3



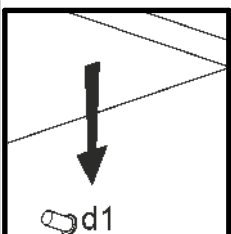
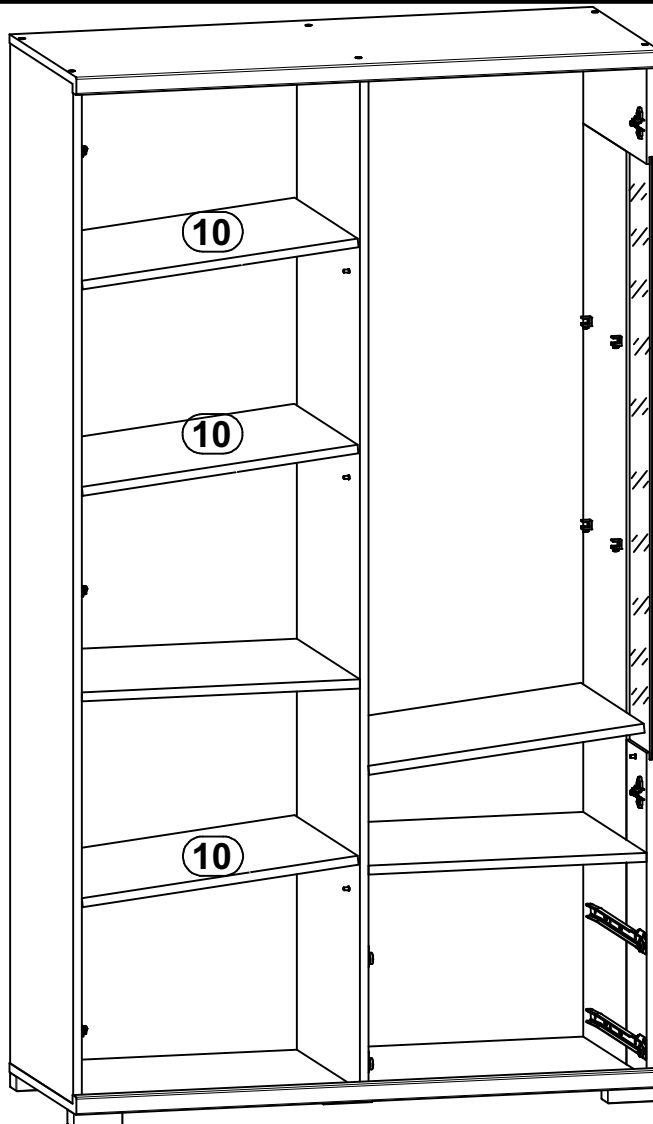
4



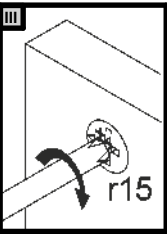
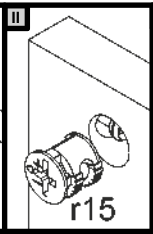
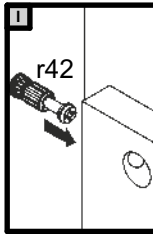
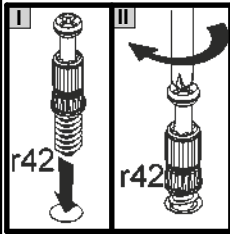
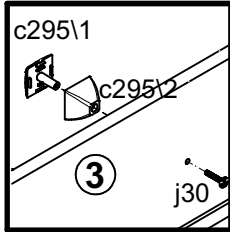
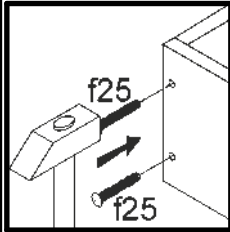
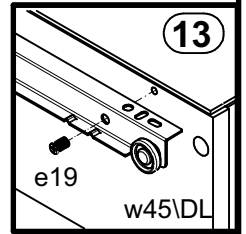
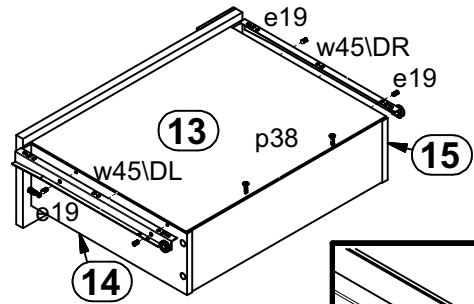
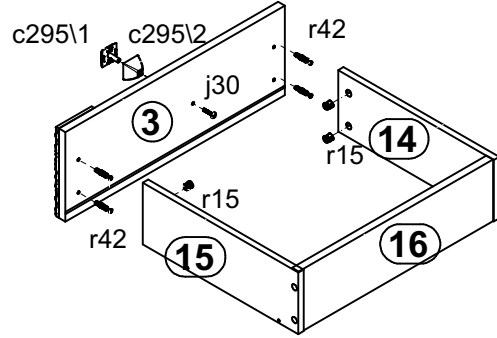
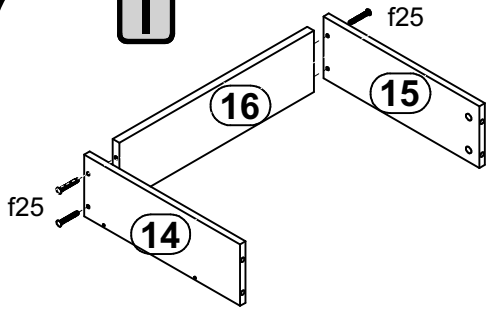
5



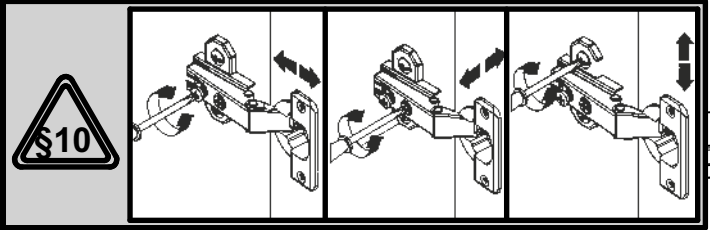
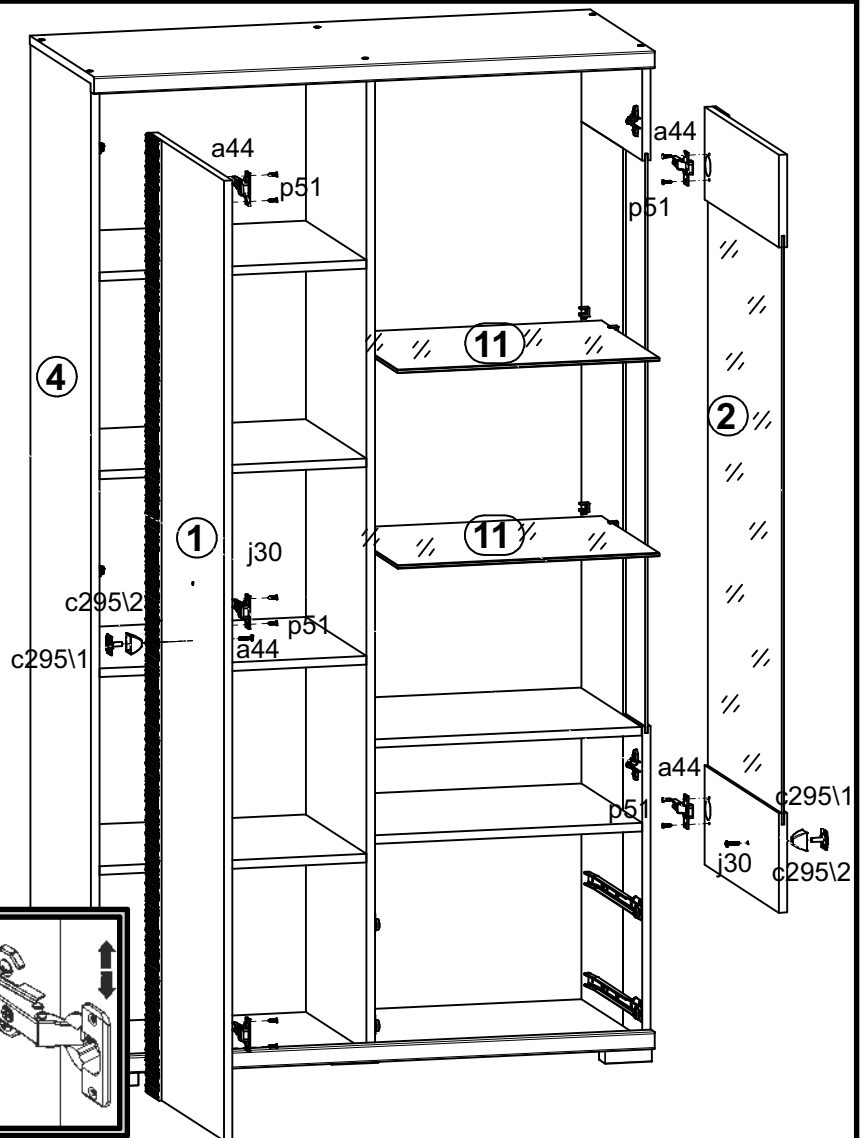
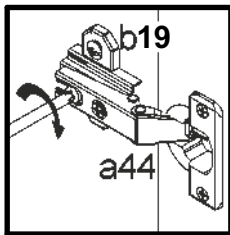
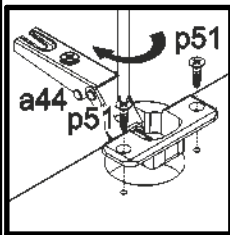
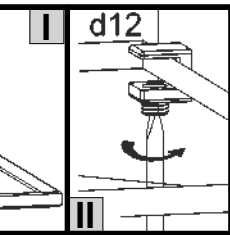
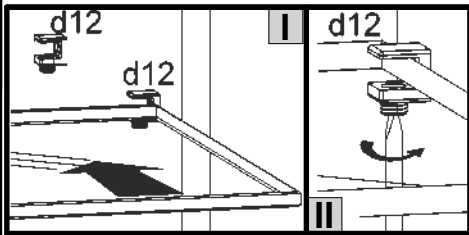
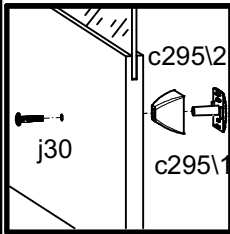
6



7



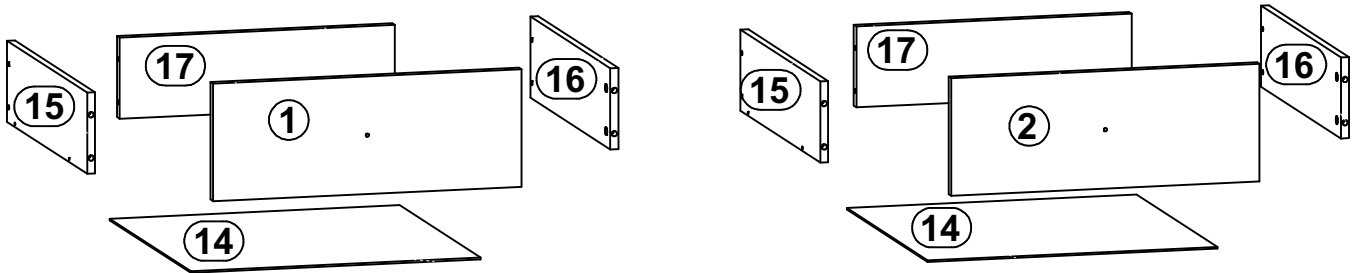
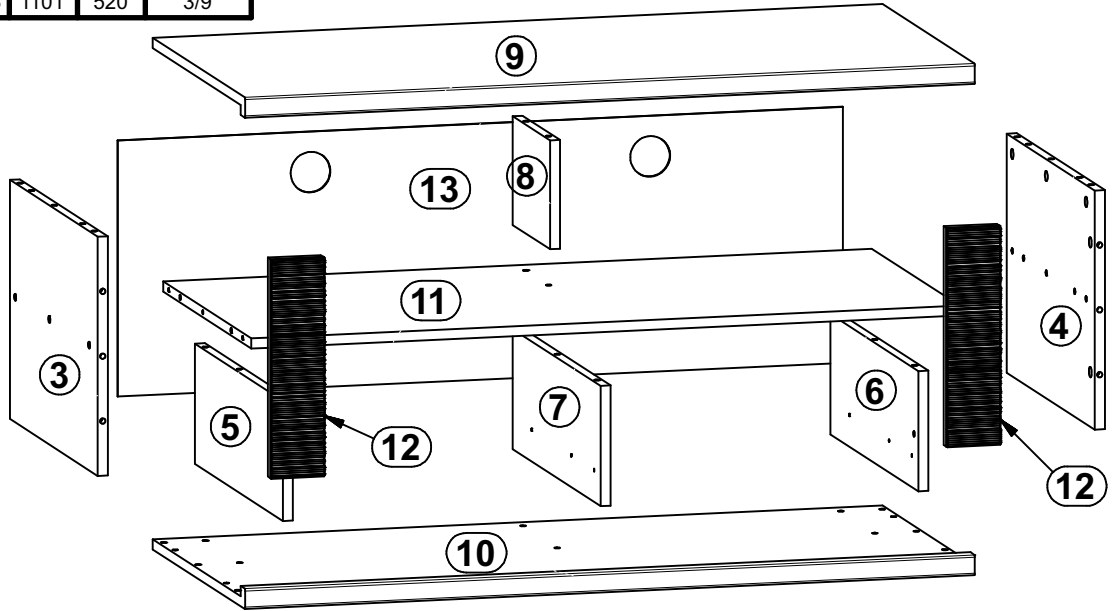
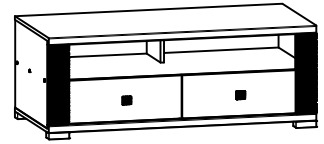
8



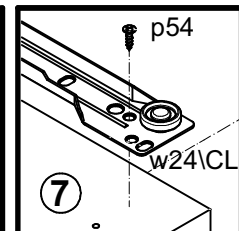
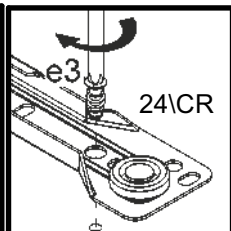
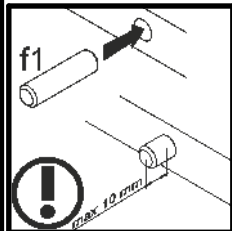
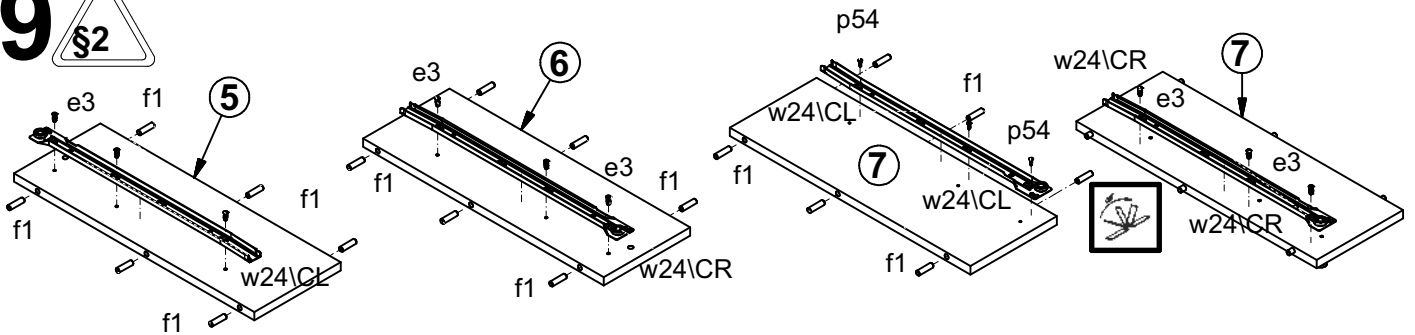
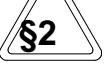


M116-RTV2S

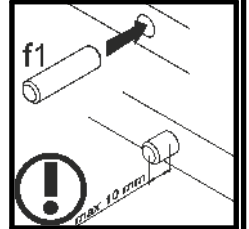
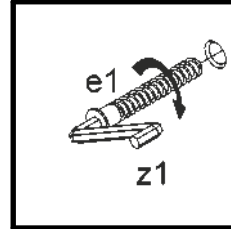
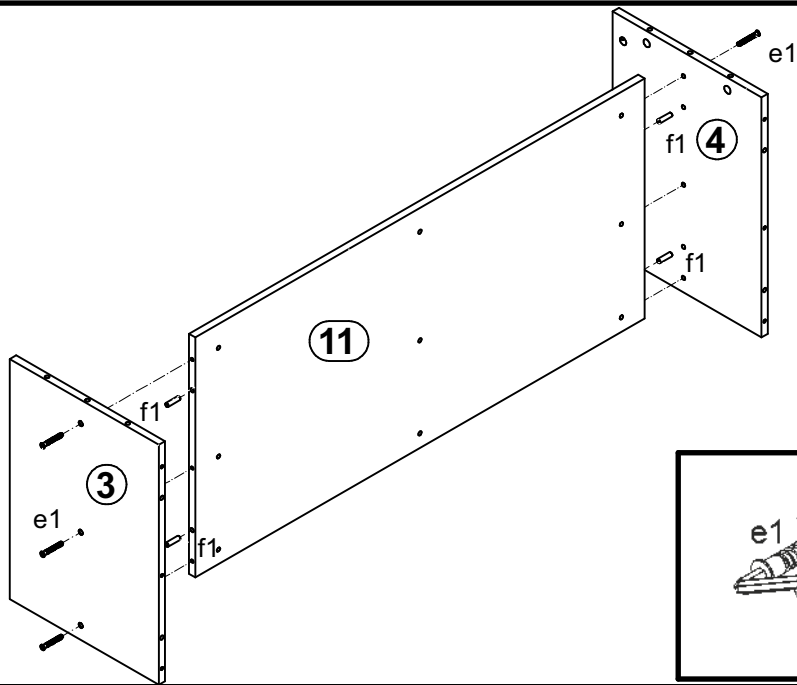
| A | B | C | | D | A | B | C | | D |
|---|-----------|------|-----|-----|----|-----------|------|------|-----|
| 1 | M116-0002 | 465 | 174 | 8/9 | 10 | M116-2204 | 1101 | 520 | 3/9 |
| 2 | M116-0003 | 465 | 174 | 8/9 | 11 | M116-3302 | 1067 | 495 | 3/9 |
| 3 | M116-1103 | 354 | 495 | 3/9 | 12 | M116-4402 | 324 | 80 | 8/9 |
| 4 | M116-1104 | 354 | 495 | 3/9 | 13 | M116-9902 | 379 | 1093 | 5/9 |
| 5 | M116-1105 | 178 | 495 | 3/9 | 14 | M116-9903 | 437 | 455 | 5/9 |
| 6 | M116-1106 | 178 | 495 | 3/9 | 15 | ZS3-513 | 450 | 120 | 1/9 |
| 7 | M116-1107 | 178 | 495 | 3/9 | 16 | ZS3-514 | 450 | 120 | 1/9 |
| 8 | M116-1108 | 160 | 210 | 3/9 | 17 | ZS3-5520 | 415 | 120 | 1/9 |
| 9 | M116-2203 | 1101 | 520 | 3/9 | | | | | |



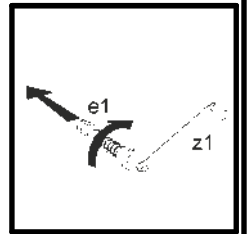
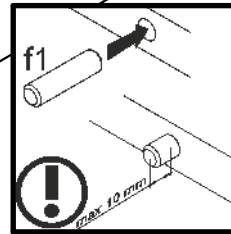
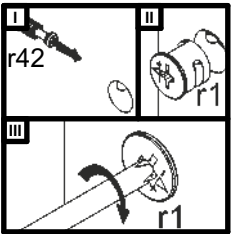
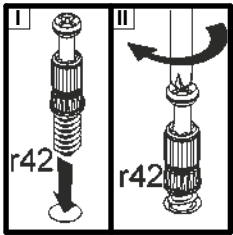
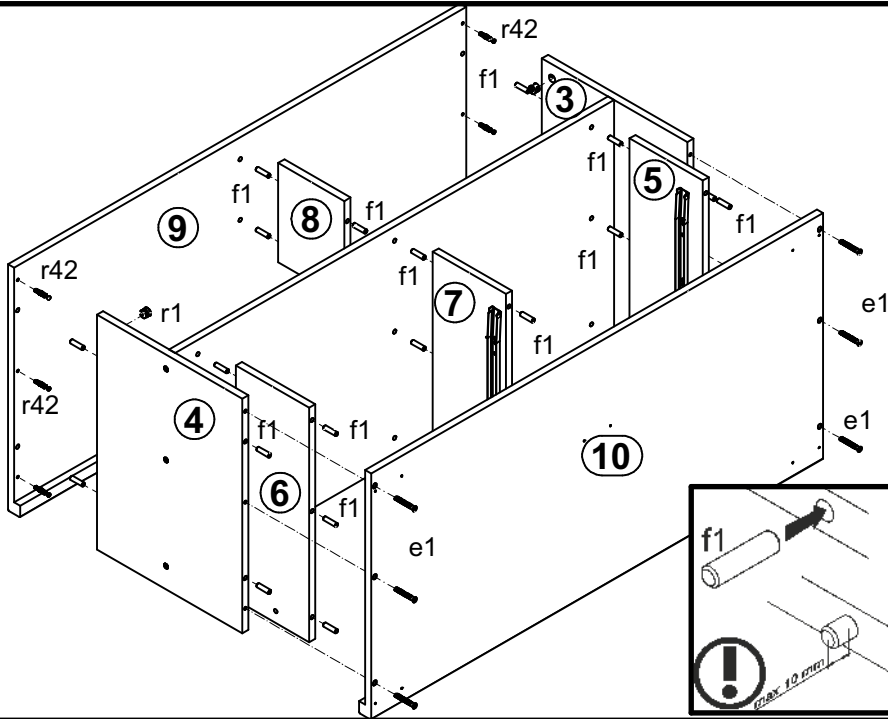
9



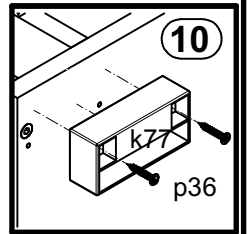
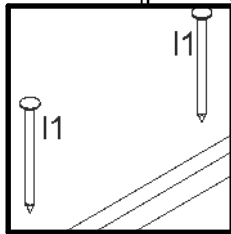
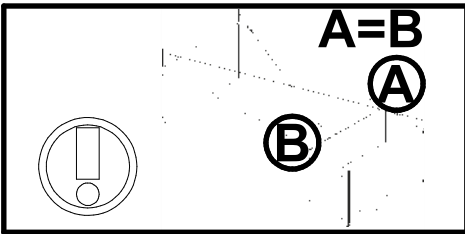
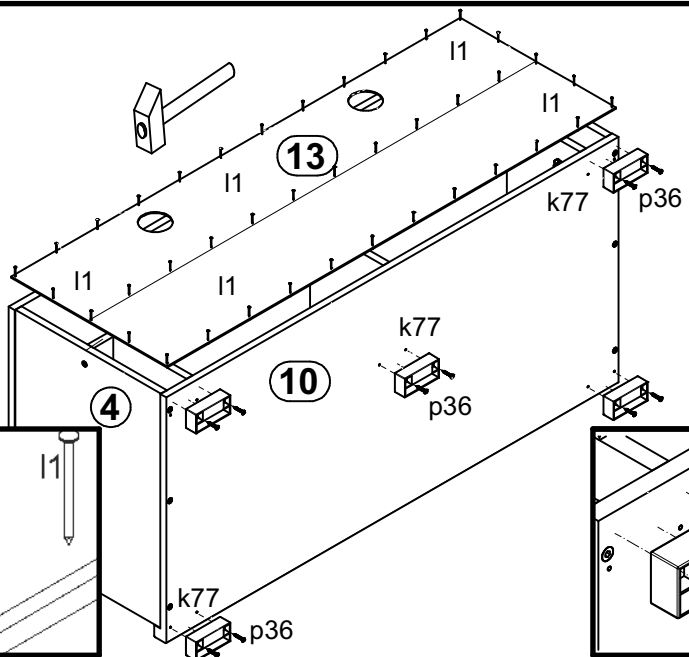
10



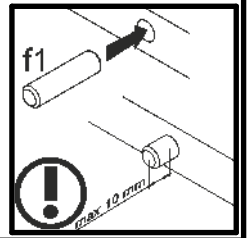
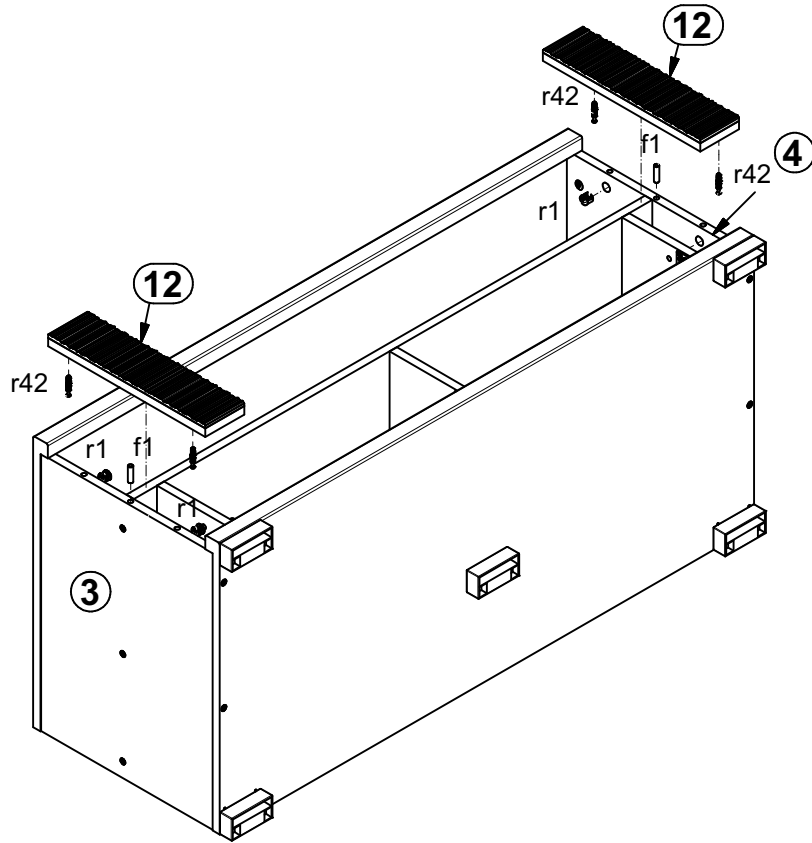
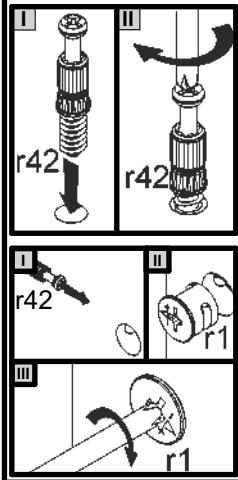
11



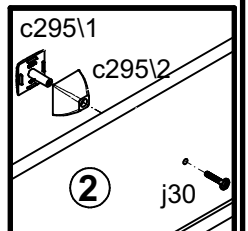
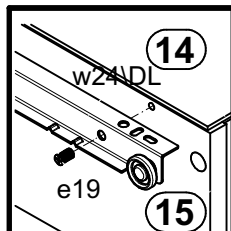
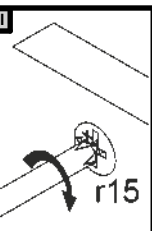
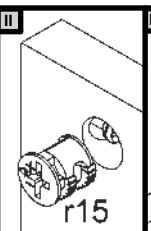
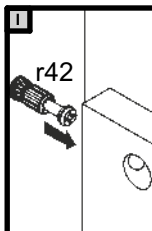
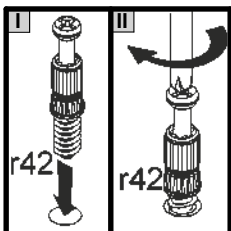
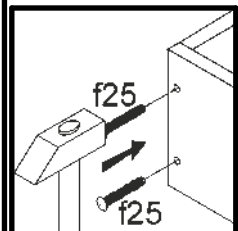
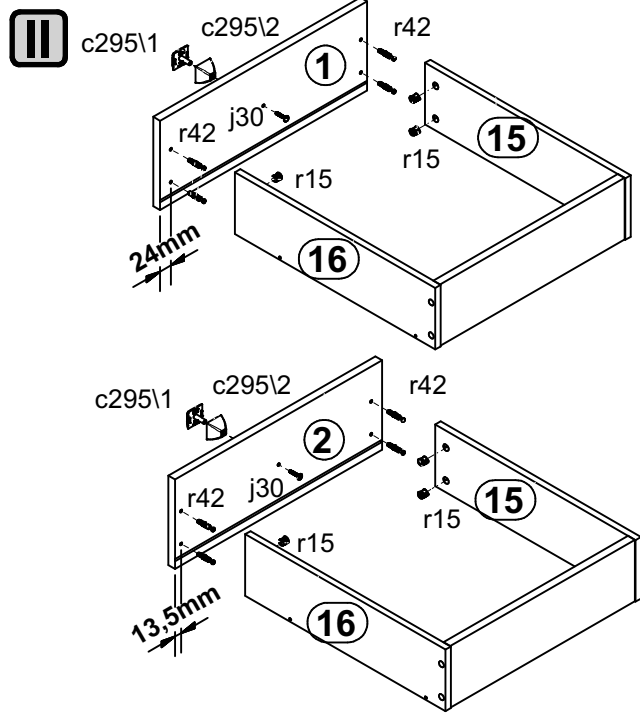
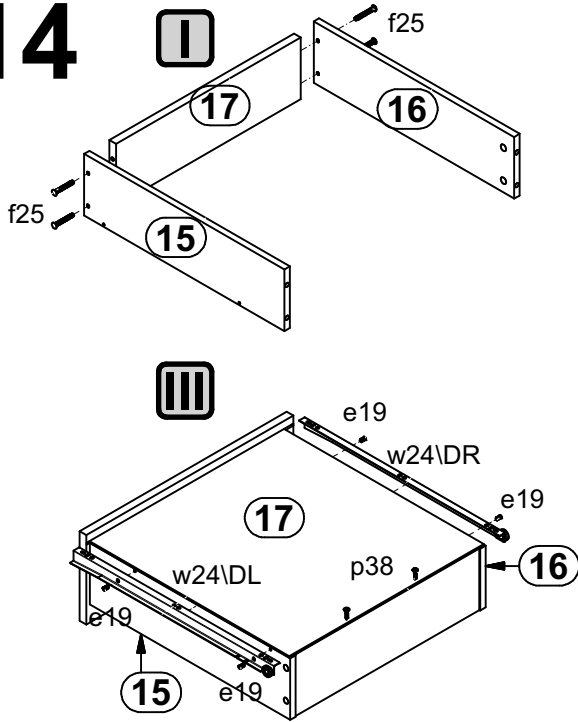
12



13



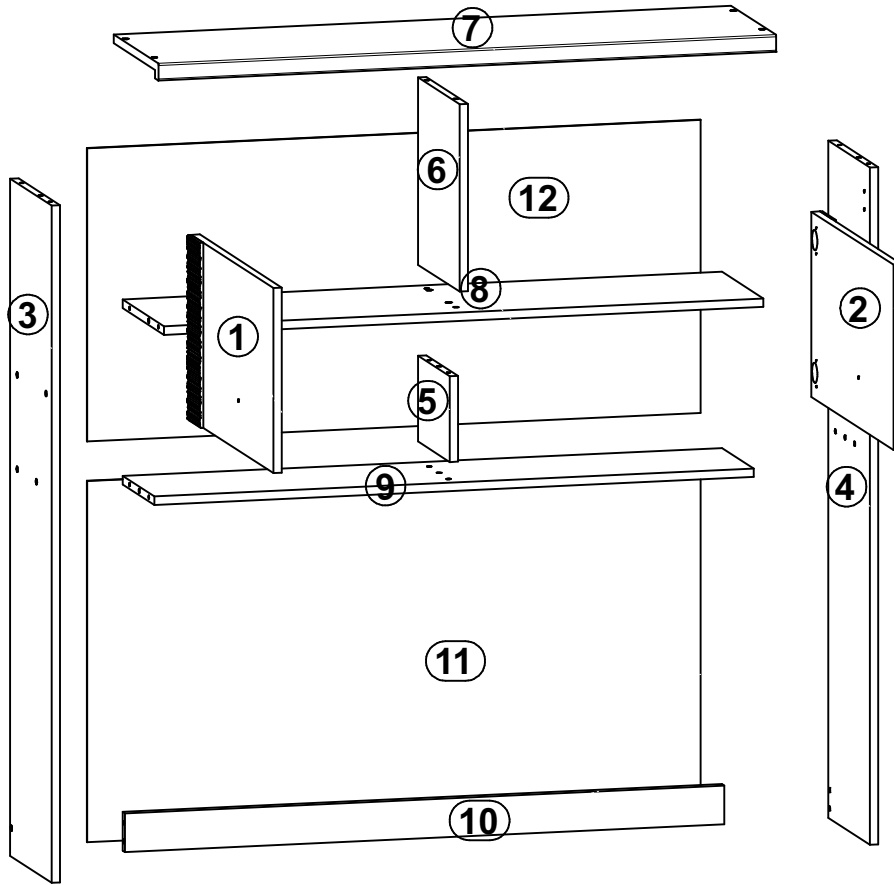
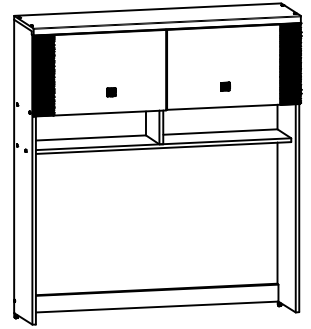
14



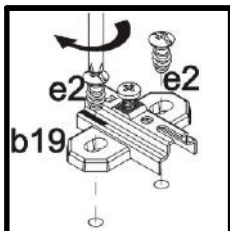
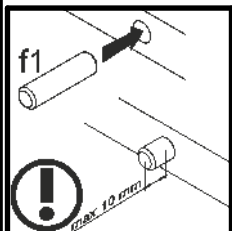
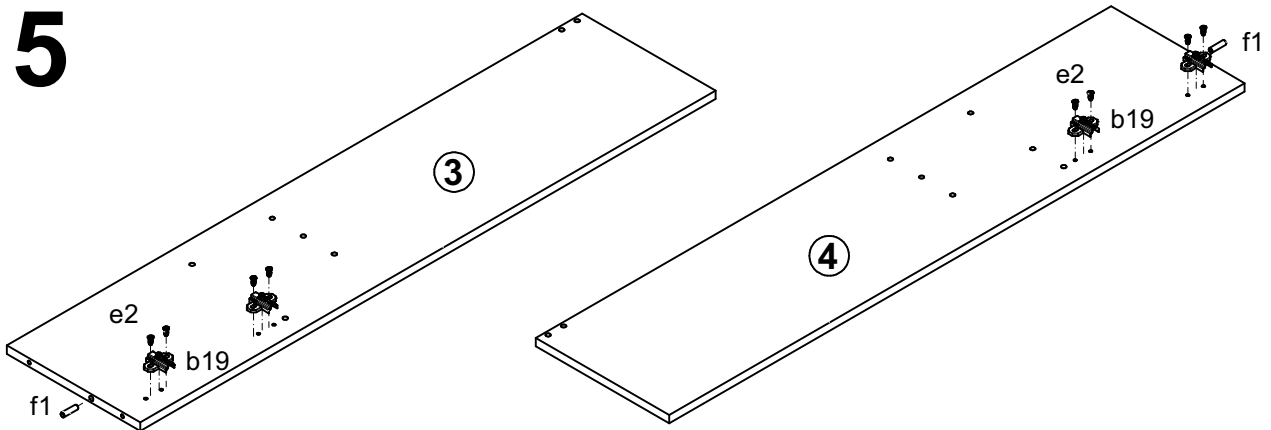


M116-NAD2D

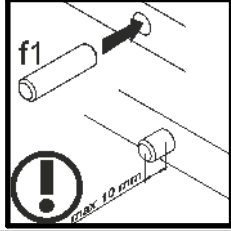
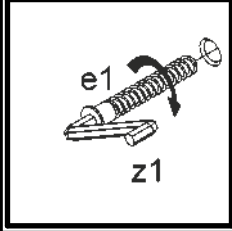
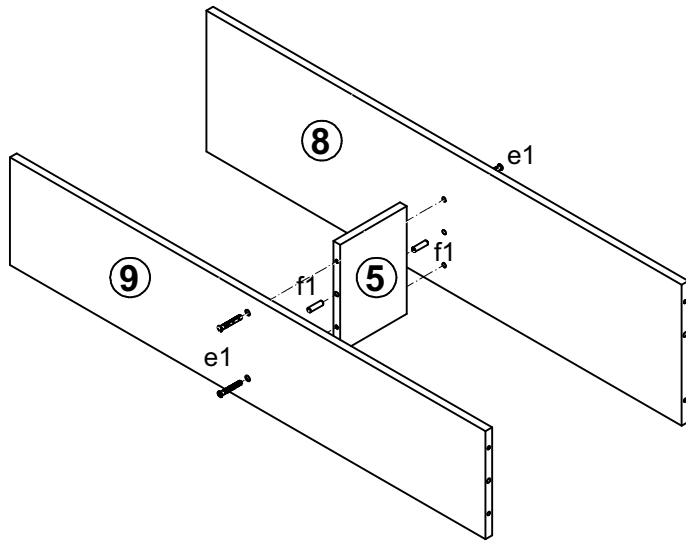
| A | B | C | | D | A | B | C | | D |
|---|-----------|------|-----|-----|----|-----------|------|------|-----|
| 1 | M116-0004 | 324 | 545 | 8/9 | 7 | M116-2205 | 1101 | 300 | 2/9 |
| 2 | M116-0010 | 324 | 545 | 8/9 | 8 | M116-3303 | 1067 | 275 | 2/9 |
| 3 | M116-1109 | 1185 | 275 | 2/9 | 9 | M116-3304 | 1067 | 210 | 2/9 |
| 4 | M116-1110 | 1185 | 275 | 2/9 | 10 | M116-4401 | 1067 | 68 | 2/9 |
| 5 | M116-1111 | 150 | 210 | 3/9 | 11 | M116-9904 | 632 | 1093 | 5/9 |
| 6 | M116-1115 | 326 | 275 | 1/9 | 12 | M116-9905 | 513 | 1093 | 5/9 |



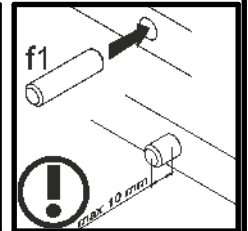
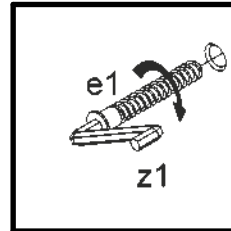
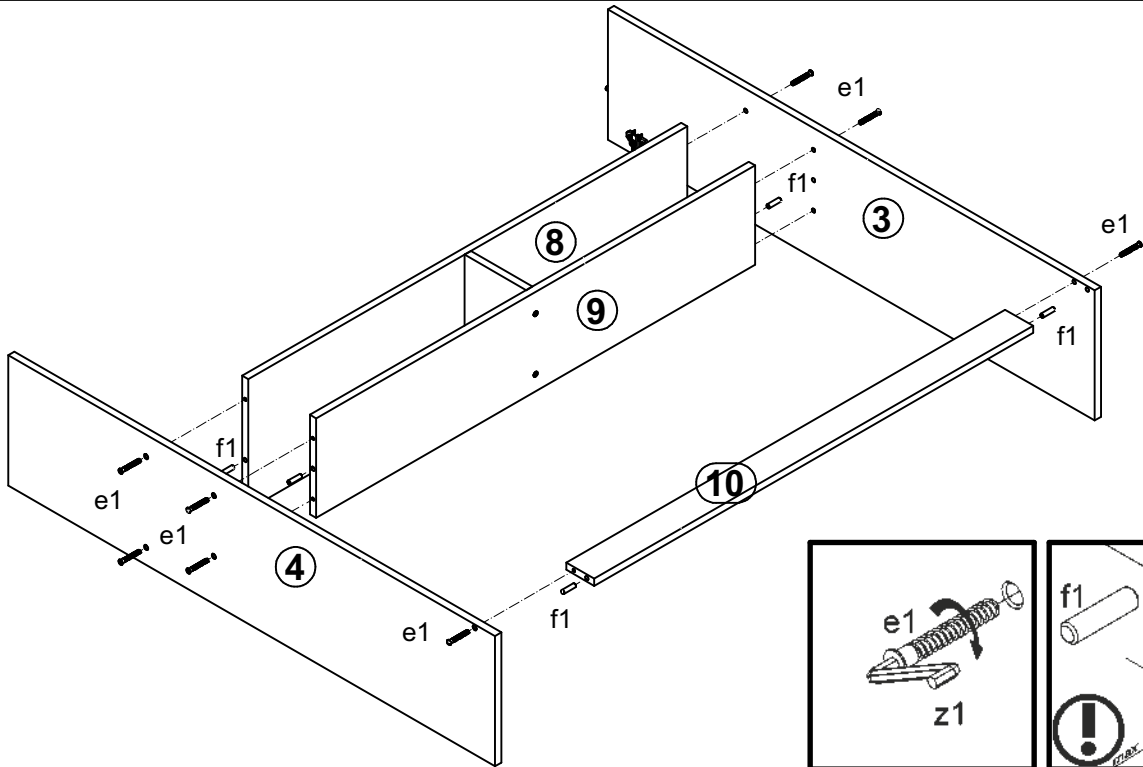
15



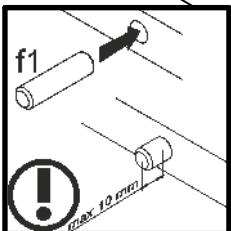
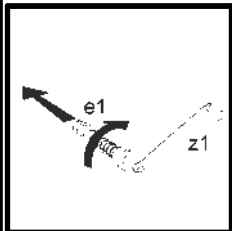
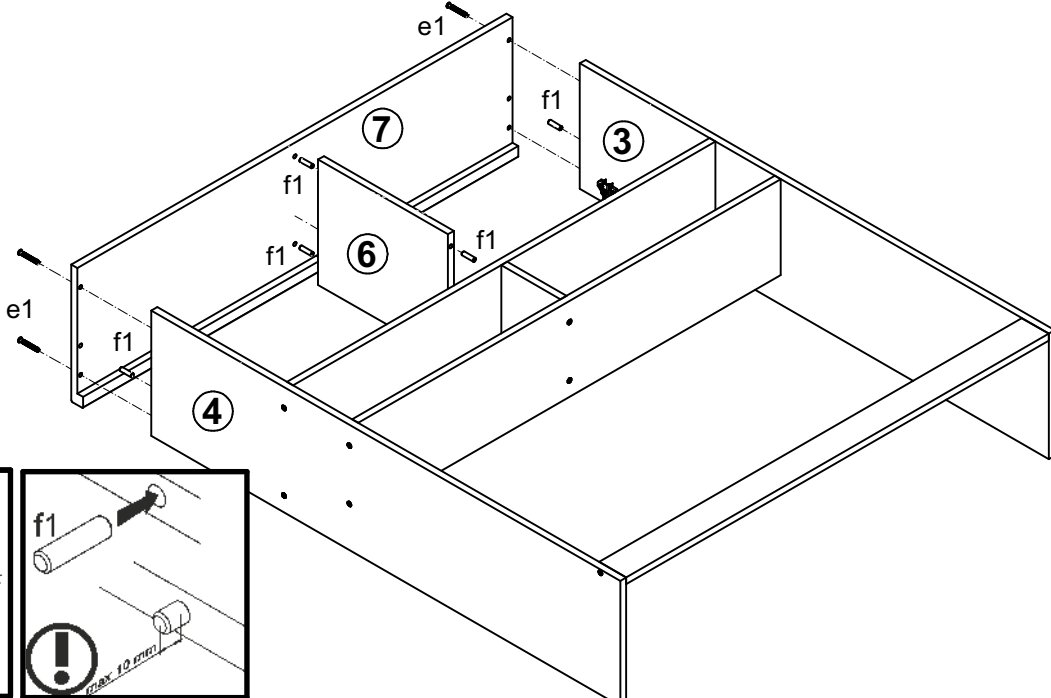
16



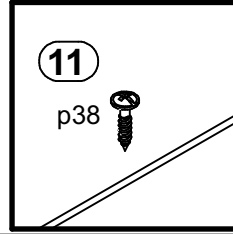
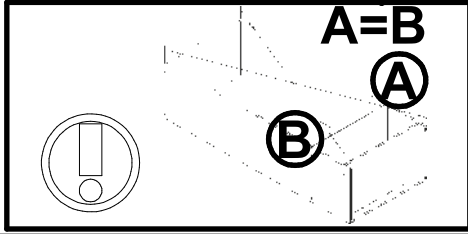
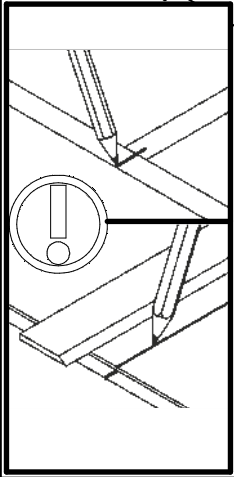
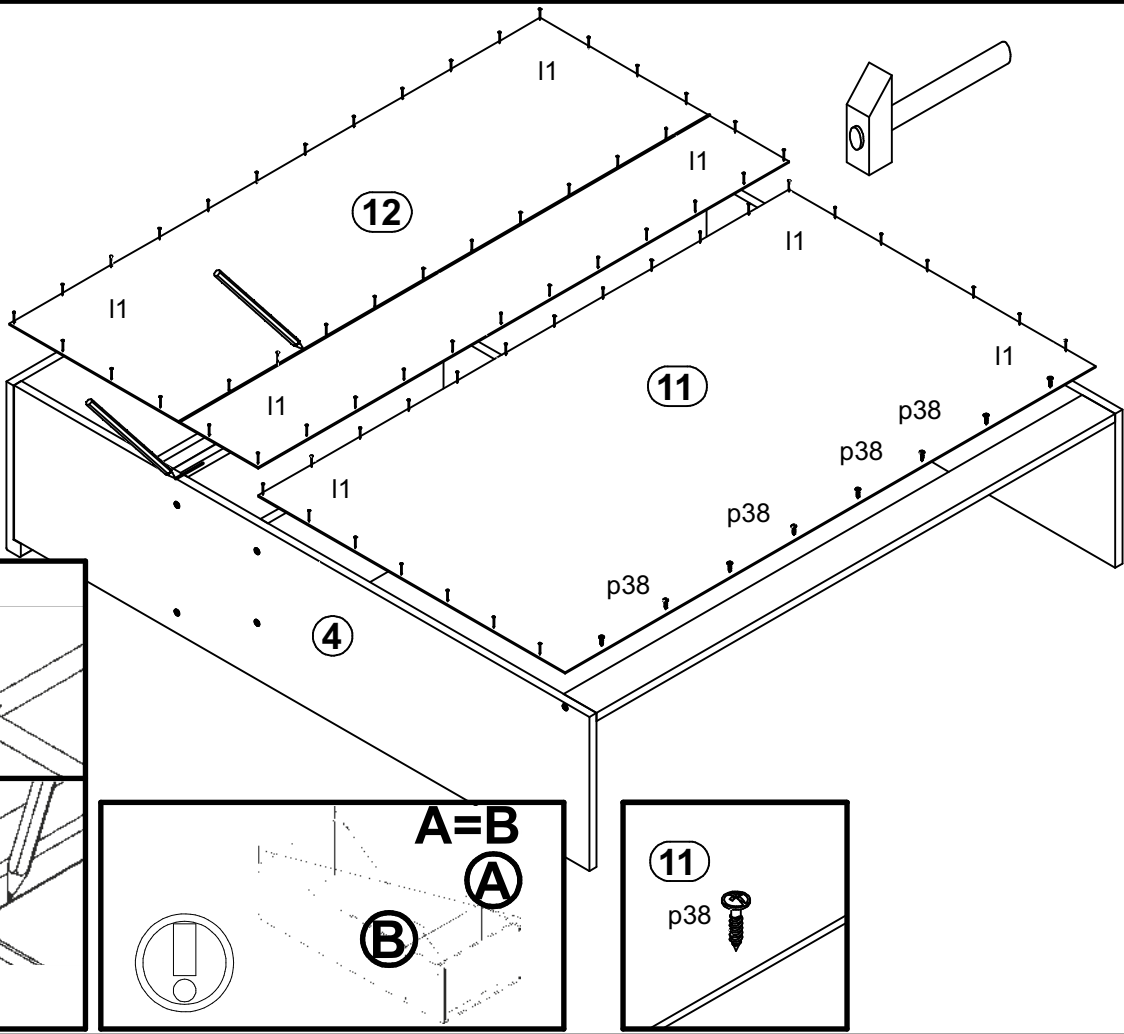
17



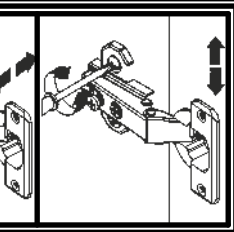
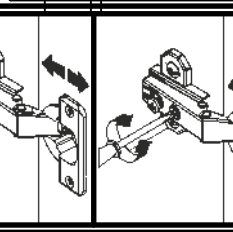
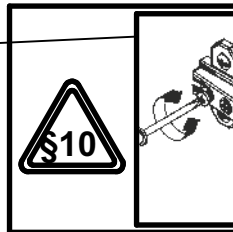
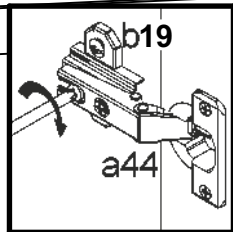
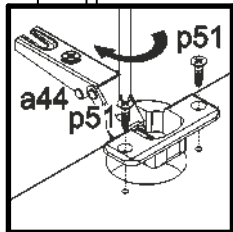
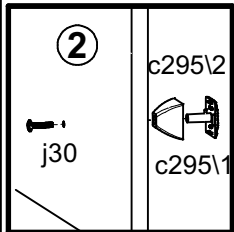
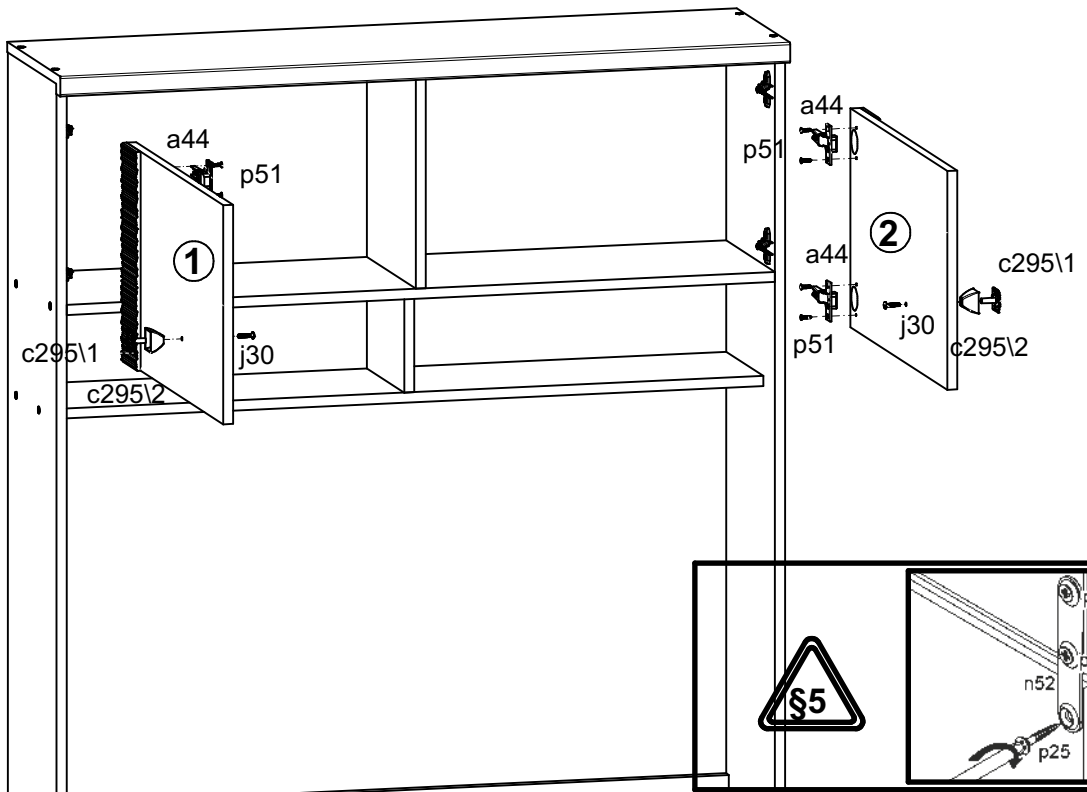
18



19



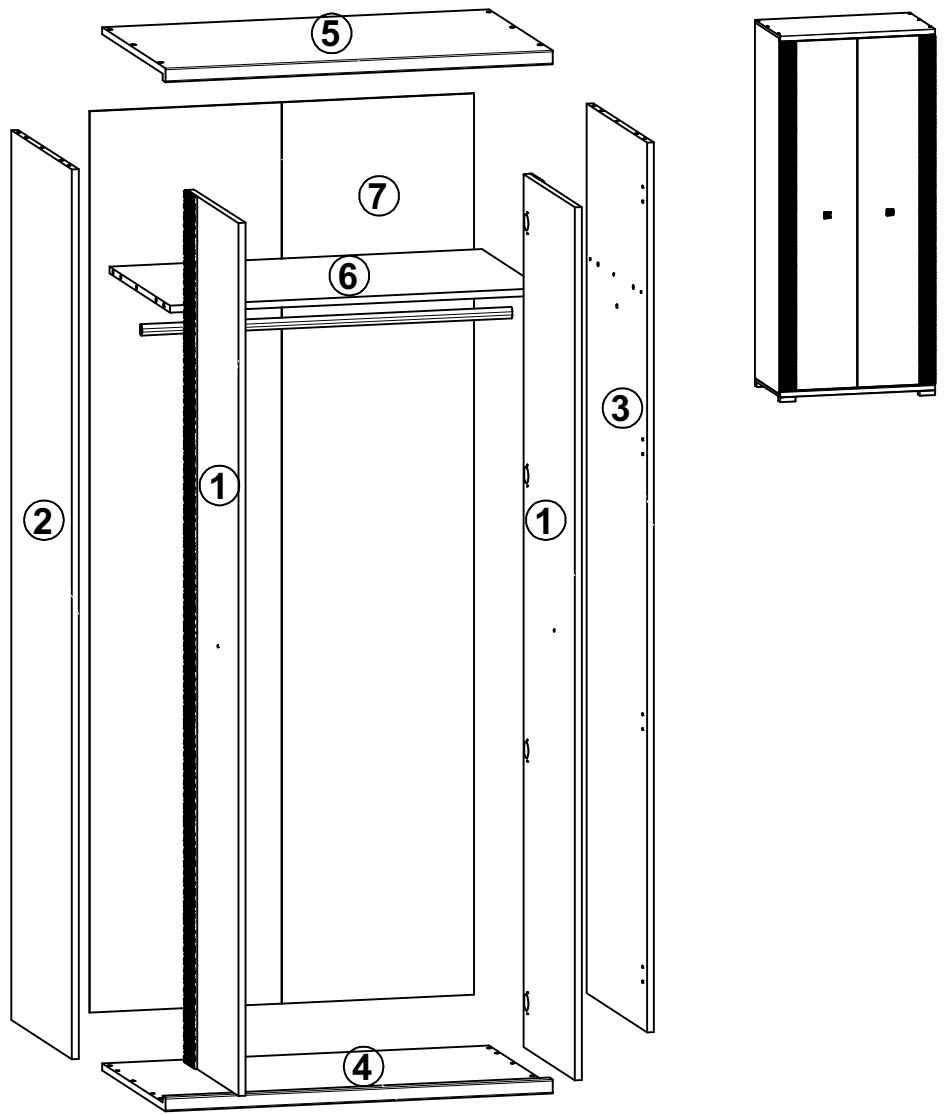
20



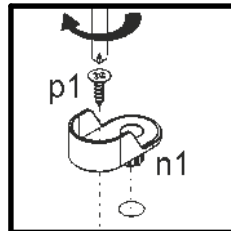
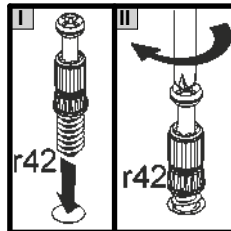
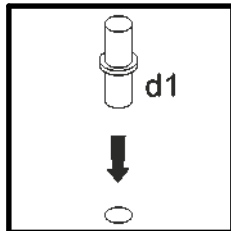
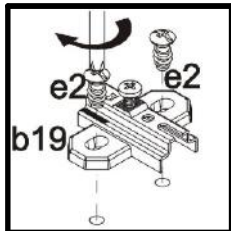
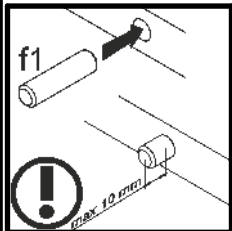
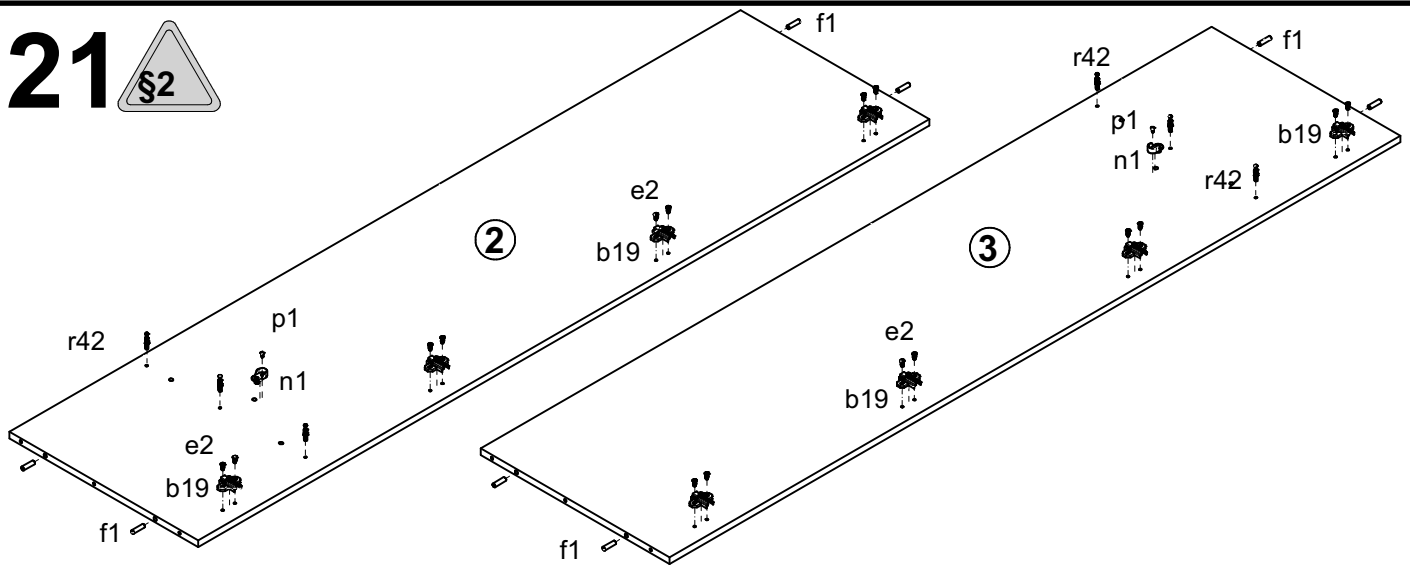
IV

M116-SZF2D

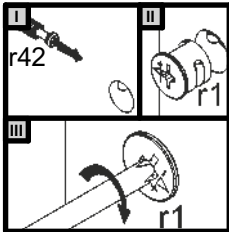
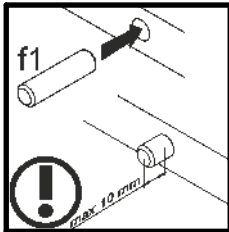
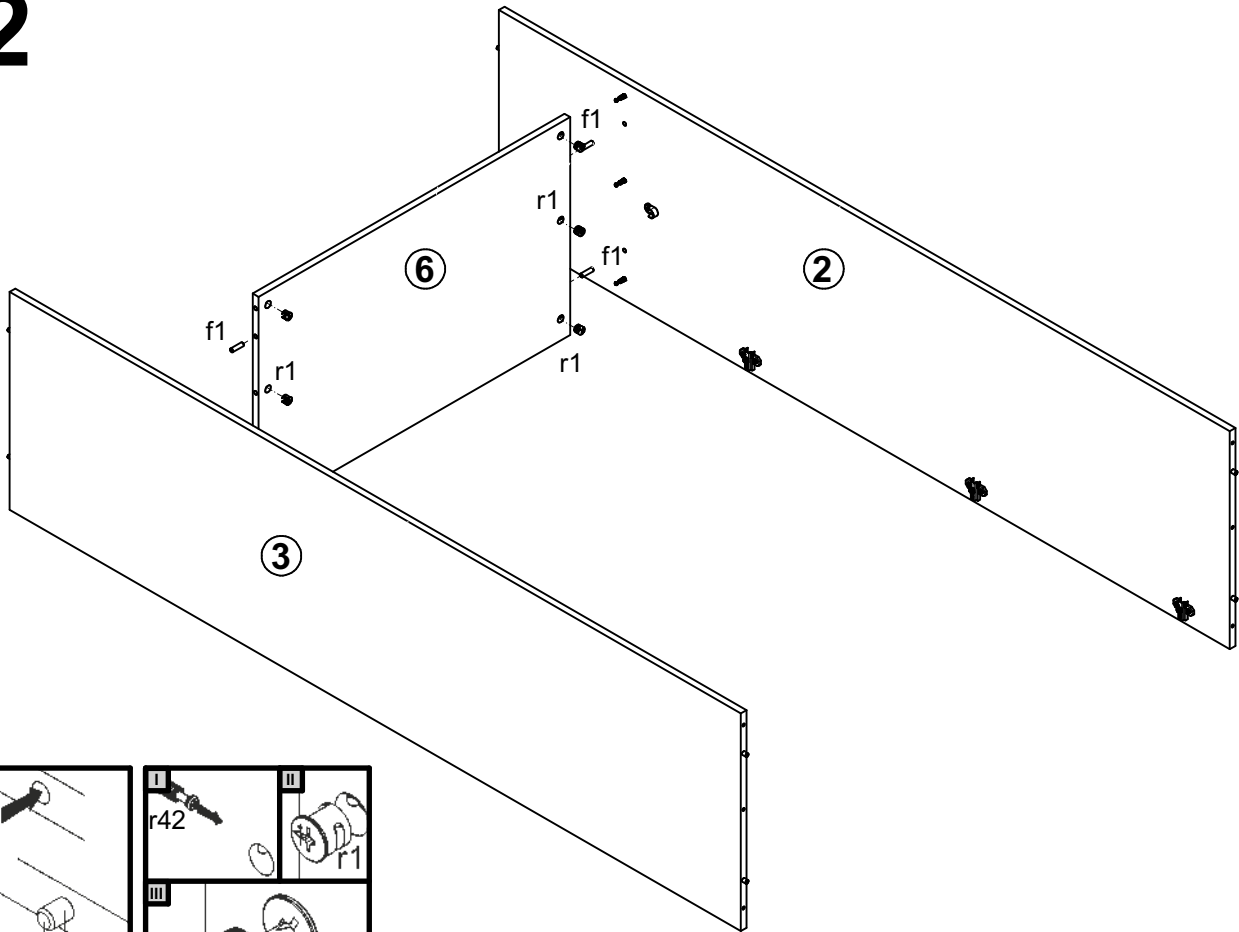
| A | B | C | D | |
|---|-----------|------|-----|-----|
| 1 | M116-0001 | 1880 | 420 | 7/9 |
| 2 | M116-1101 | 1916 | 495 | 1/9 |
| 3 | M116-1102 | 1916 | 495 | 1/9 |
| 4 | M116-2201 | 850 | 520 | 3/9 |
| 5 | M116-2202 | 850 | 520 | 3/9 |
| 6 | M116-3301 | 816 | 495 | 3/9 |
| 7 | M116-9901 | 1941 | 843 | 5/9 |
| 8 | dr-812 | 812 | 22 | 2/9 |



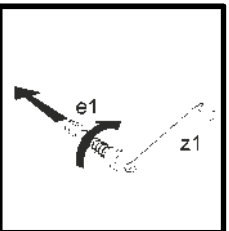
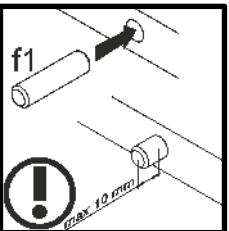
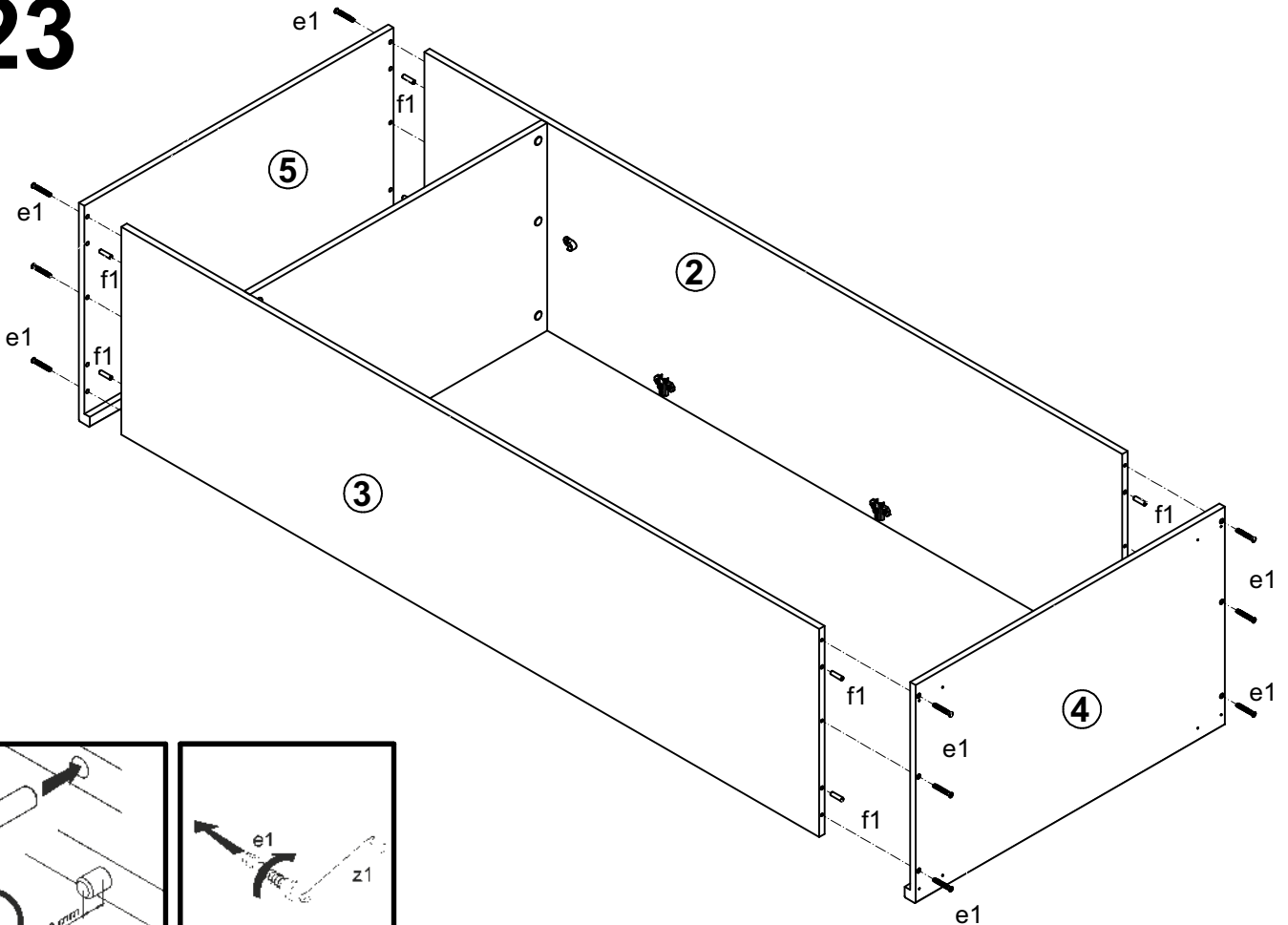
21



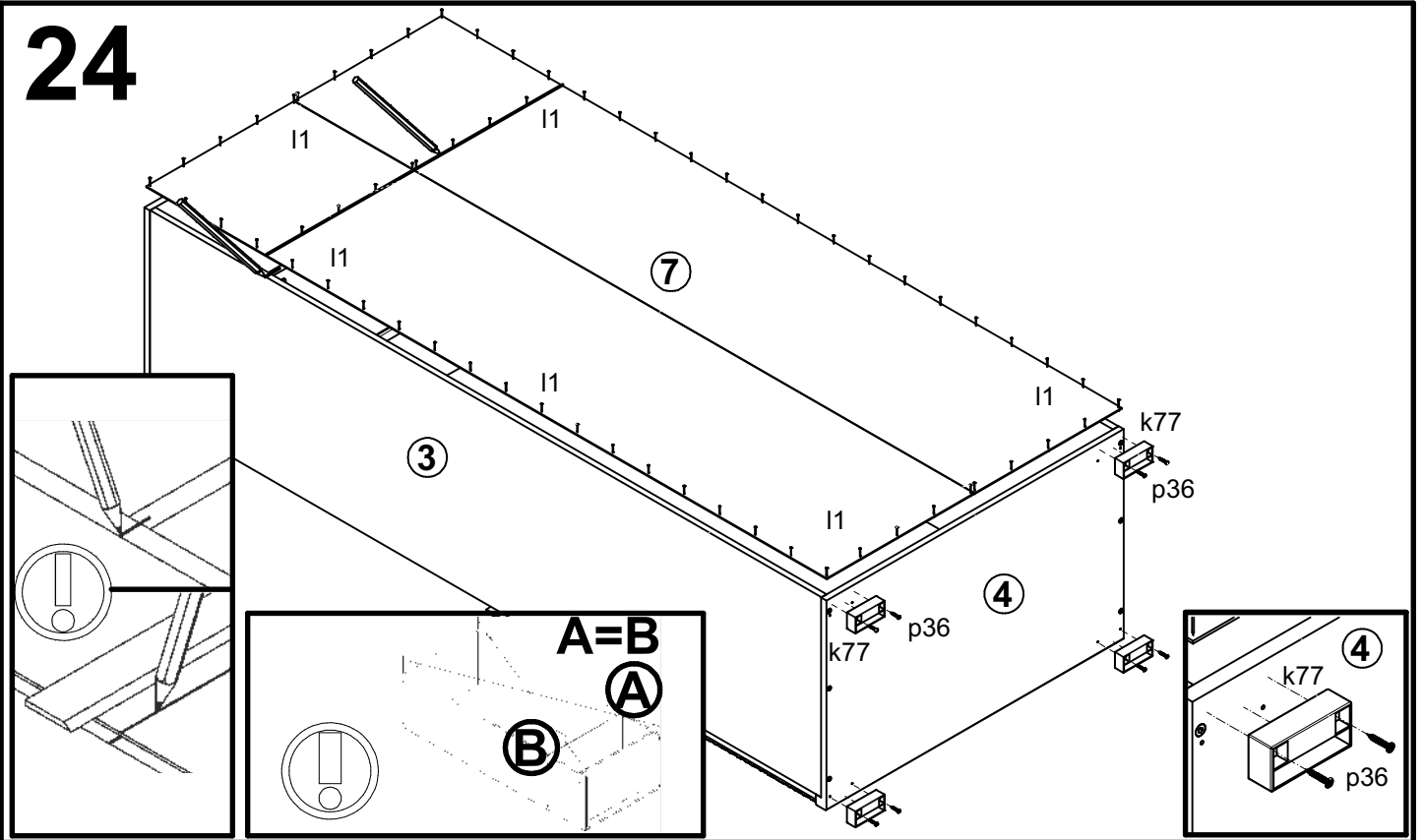
22



23



24



25

