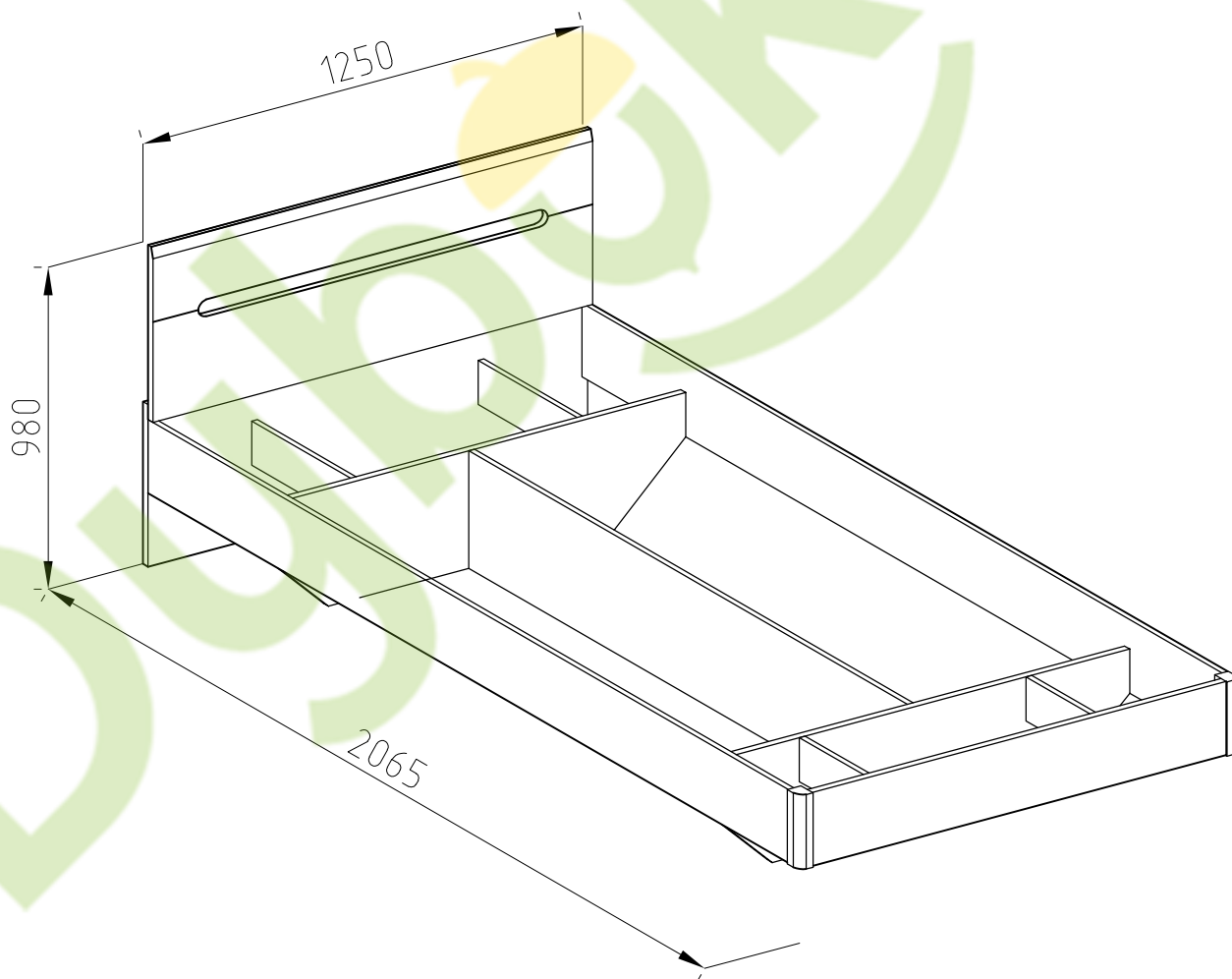
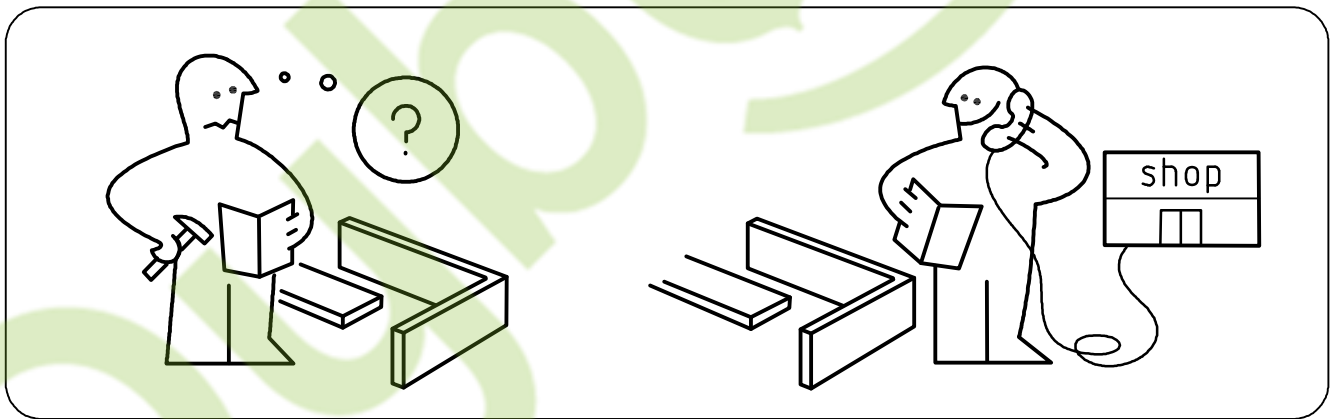
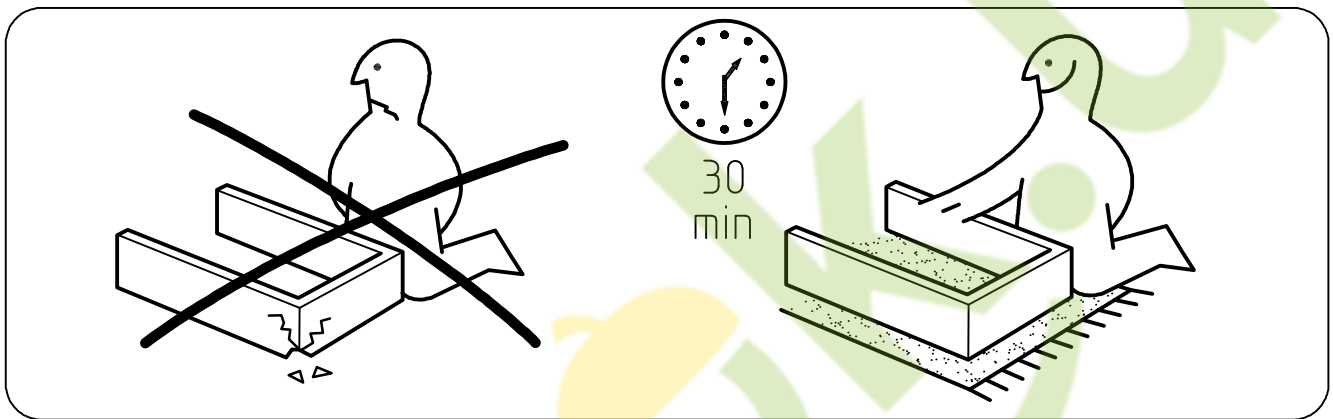
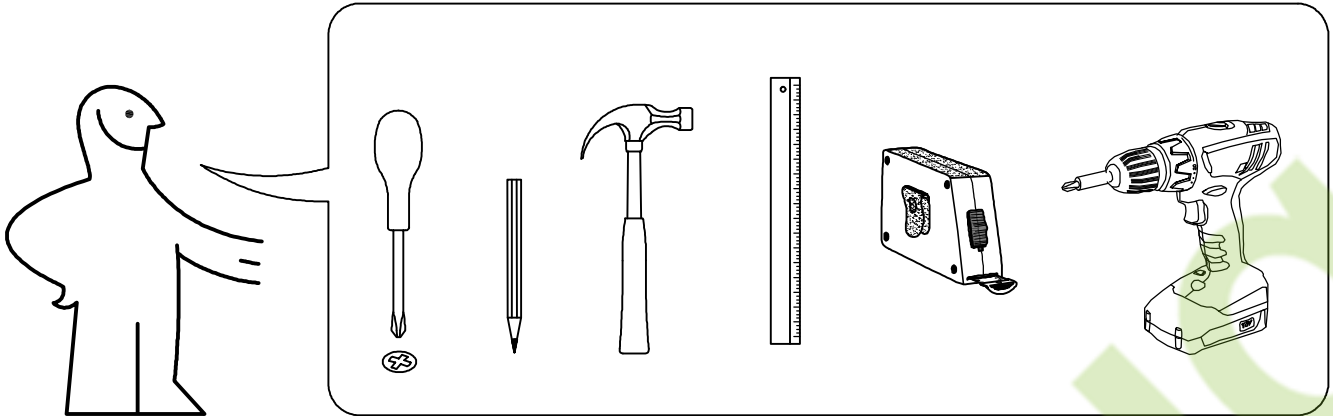


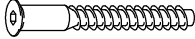
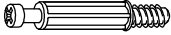
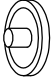


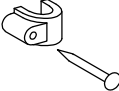
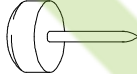
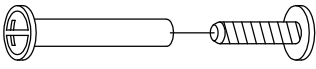



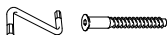
BYANKO

BED 1.2

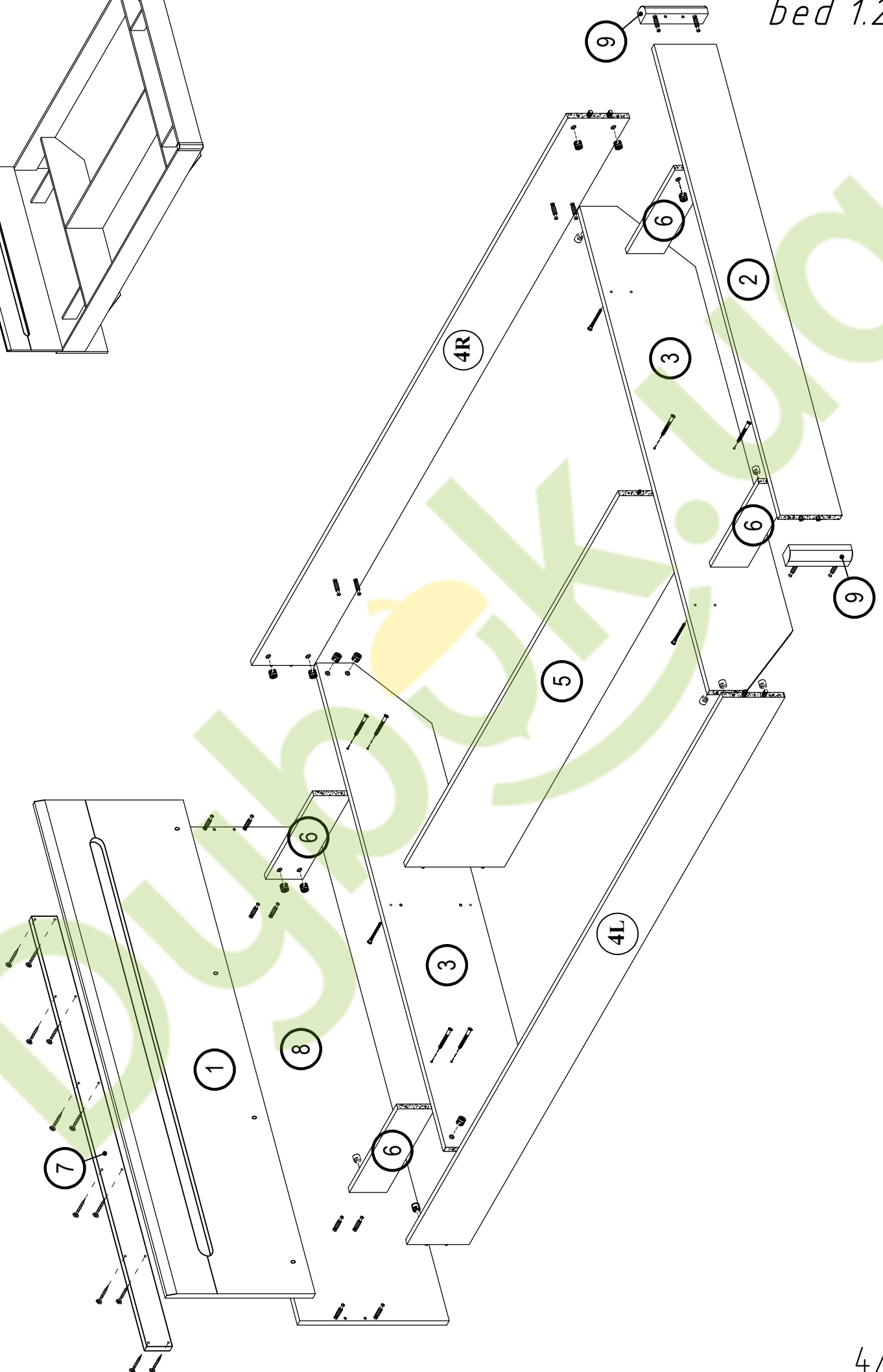
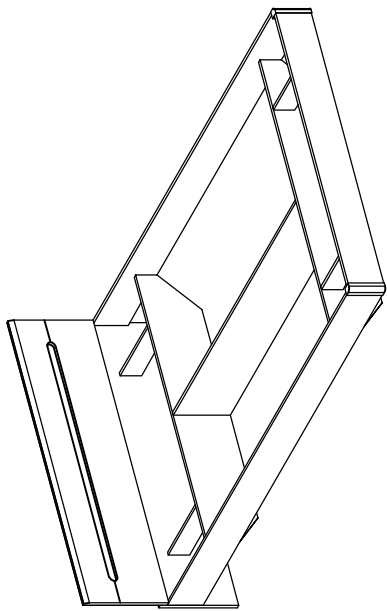




 A1 8*30mm x16	 B x12	 B1 6,3*50mm x12
 C1 5*30mm x28	 D x28	 D1 16mm x28
 E6 3,5*25mm x10	 H8 x6	 K1 x10
 Q8 M 6 x4	 R4 N°4 x1	

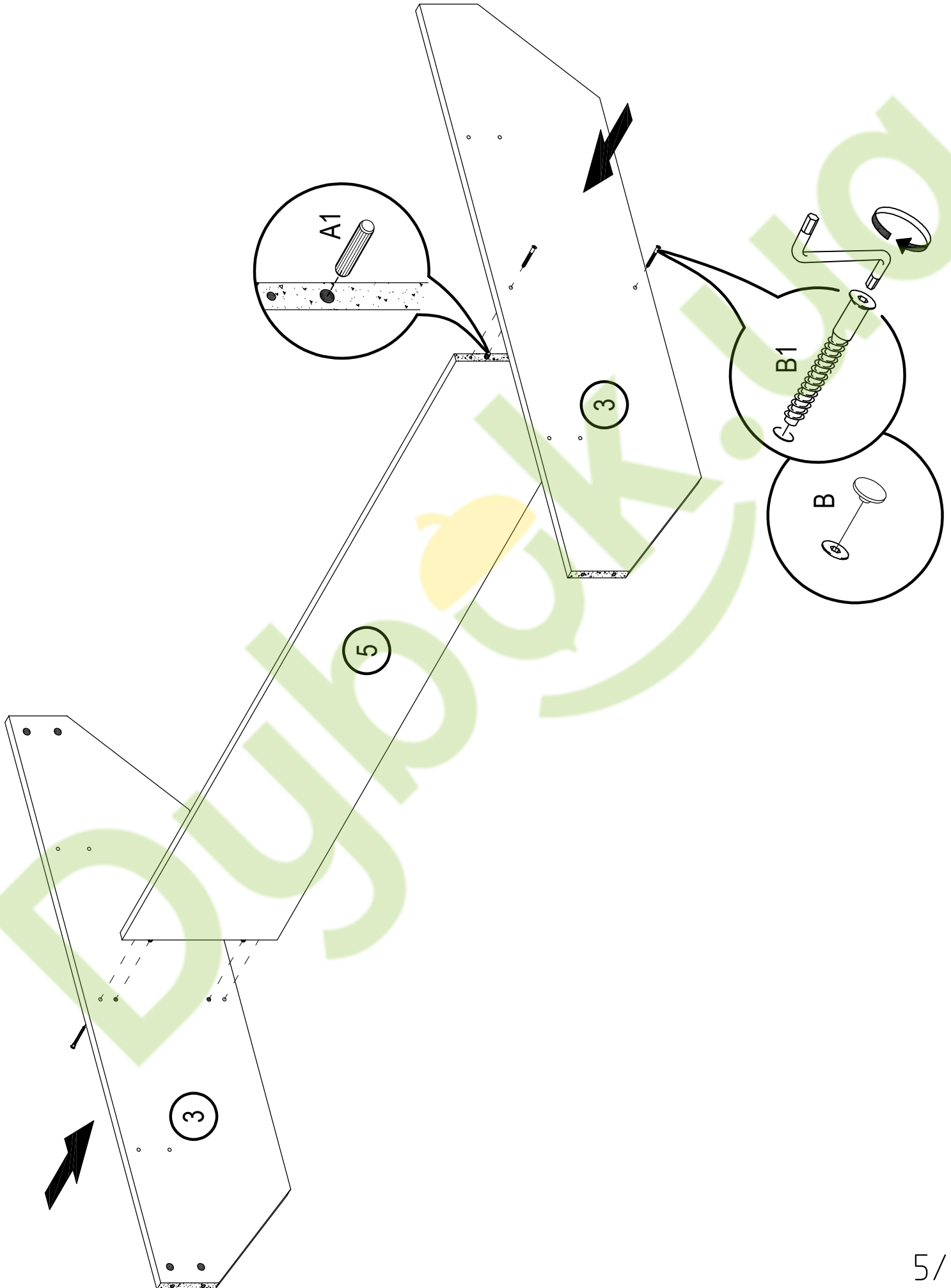
No	a*b	x	N°→...
1	575x1450	x1	1/2
2	1372x220	x1	2/2
3	1410x320	x2	2/2
4L	2011x220	x1	1/2
4R	2011x220	x1	1/2
5	1378x320	x1	2/2
6	310x120	x4	1/2
7	1224x80	x1	2/2
8	1446x480	x1	1/2
9	38x38x222	x2	2/2
		x1	2/2

*Byanko
bed 1.2*



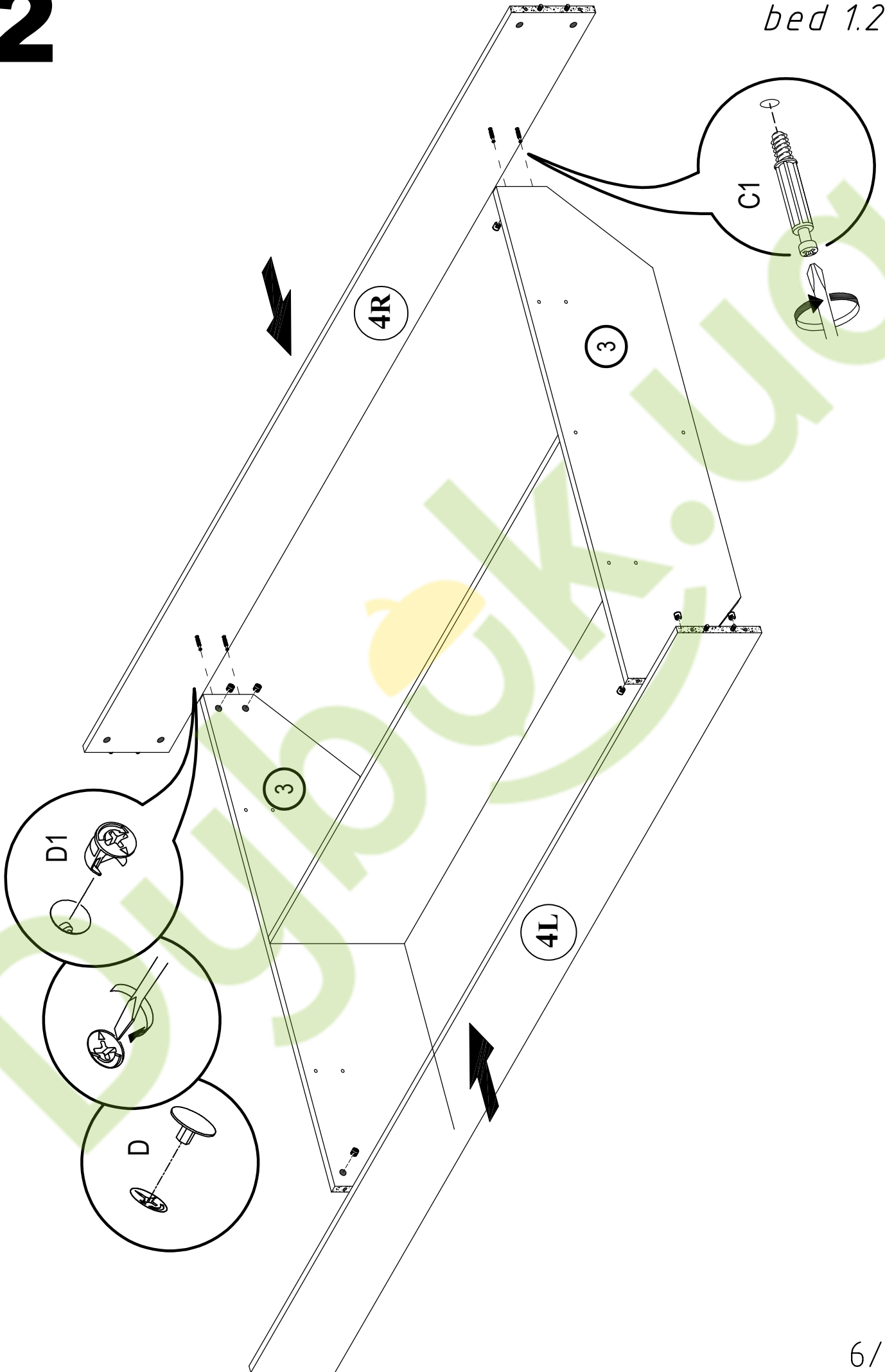
1

Byanko
bed 1.2



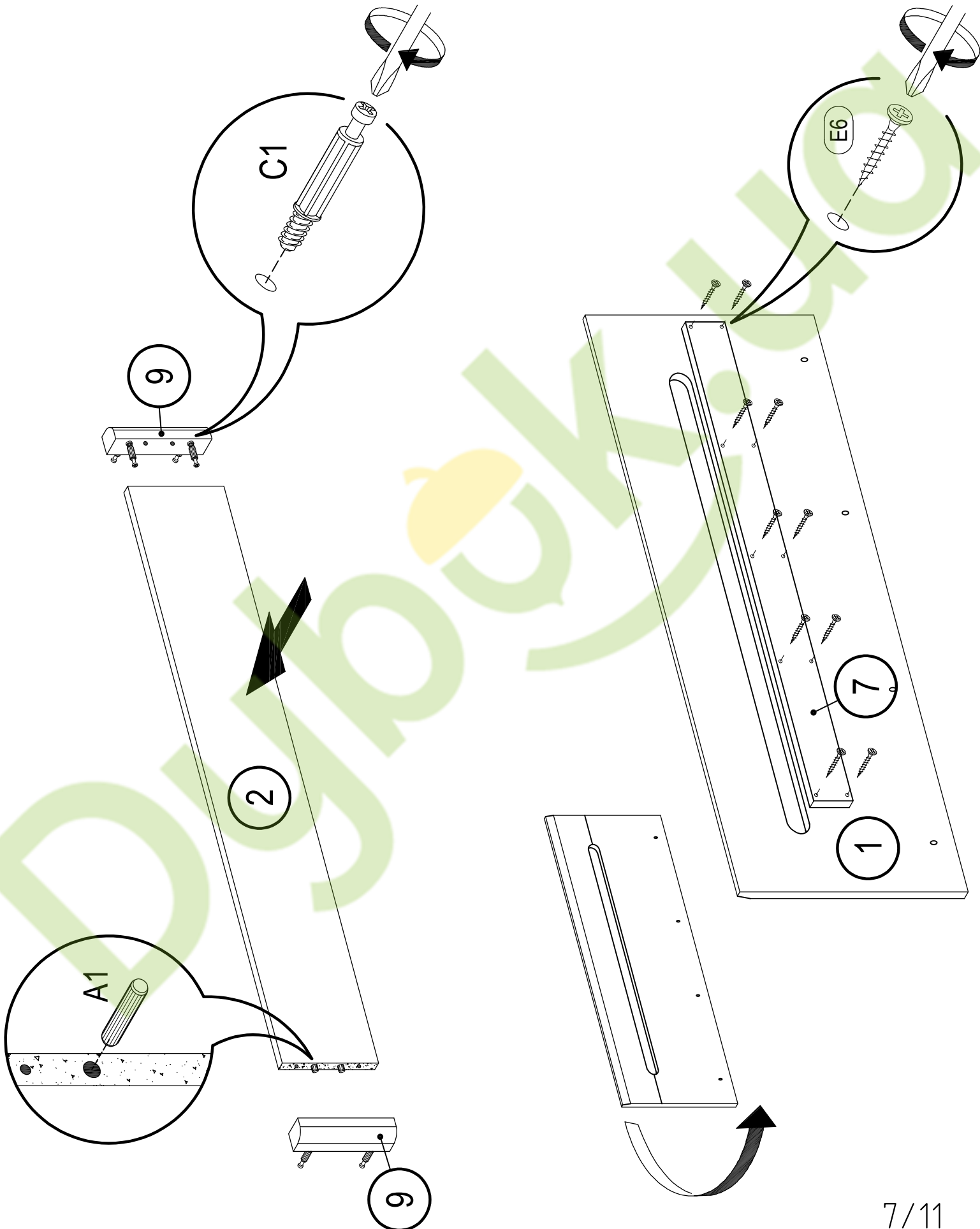
2

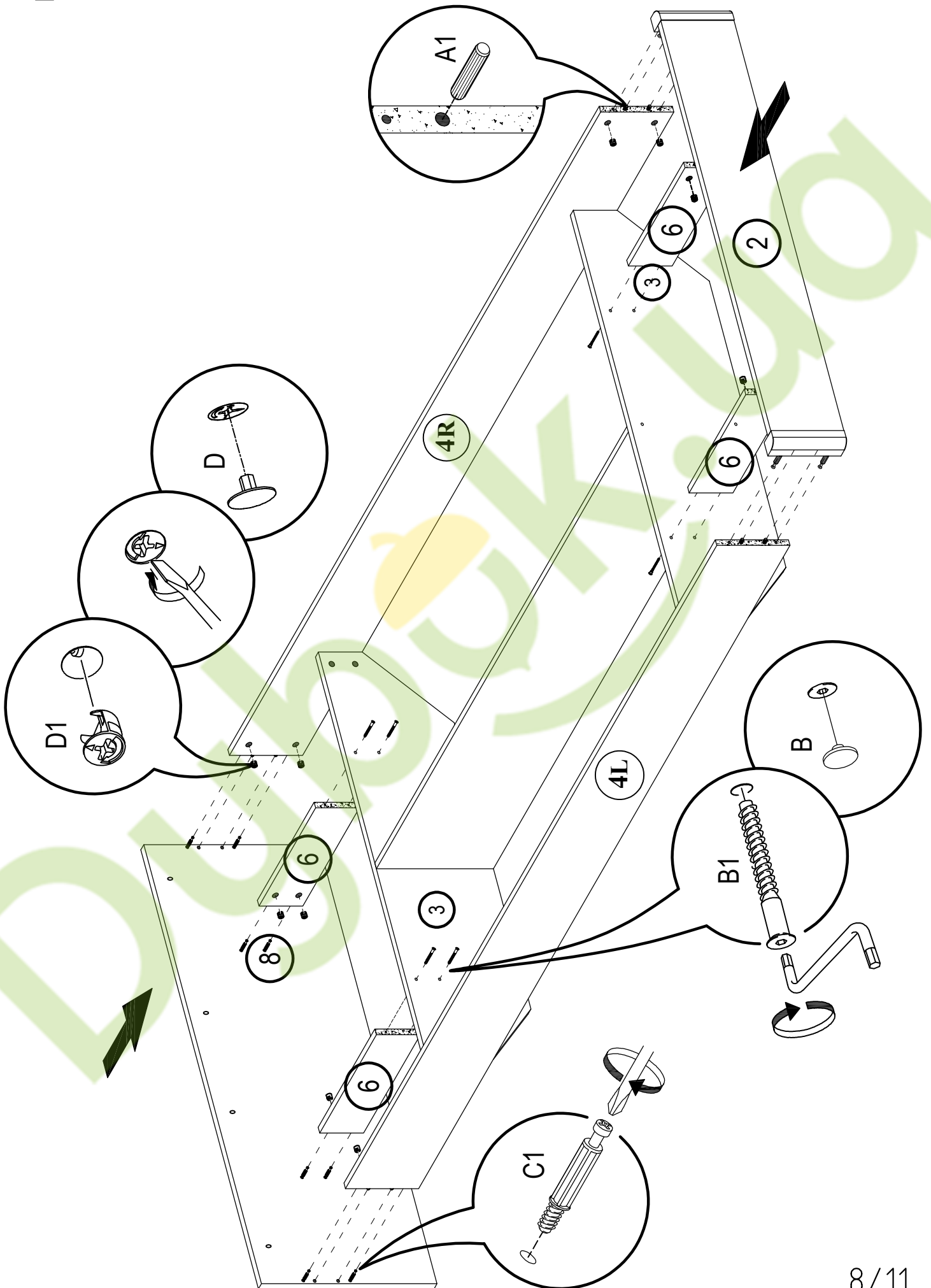
*Byanko
bed 1.2*



3

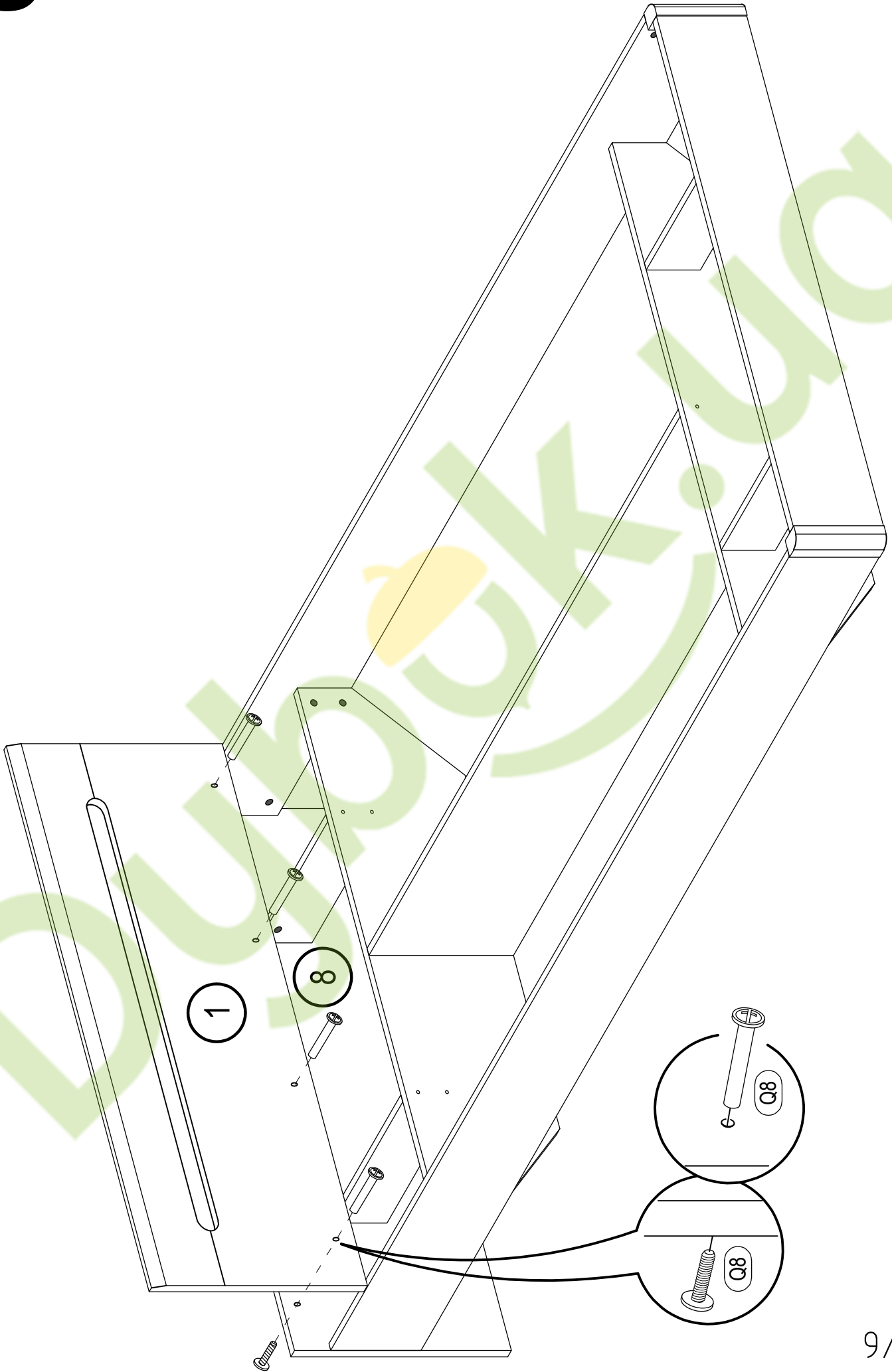
*Byanko
bed 1.2*





5

Byanko
bed 1.2



6

Byanko
bed 1.2

