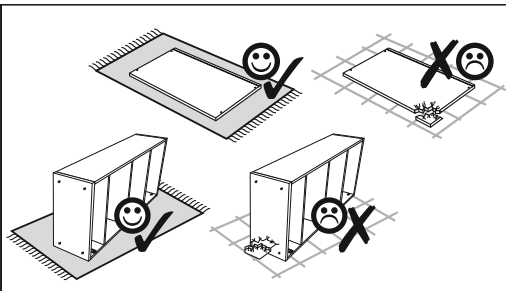
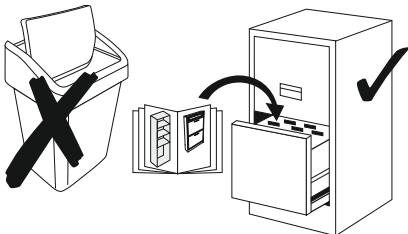
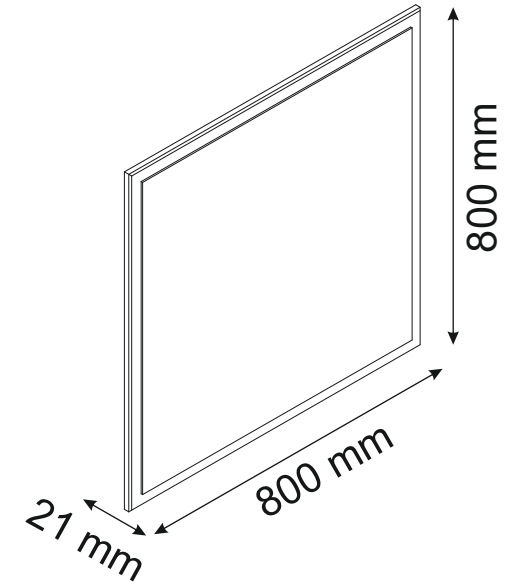
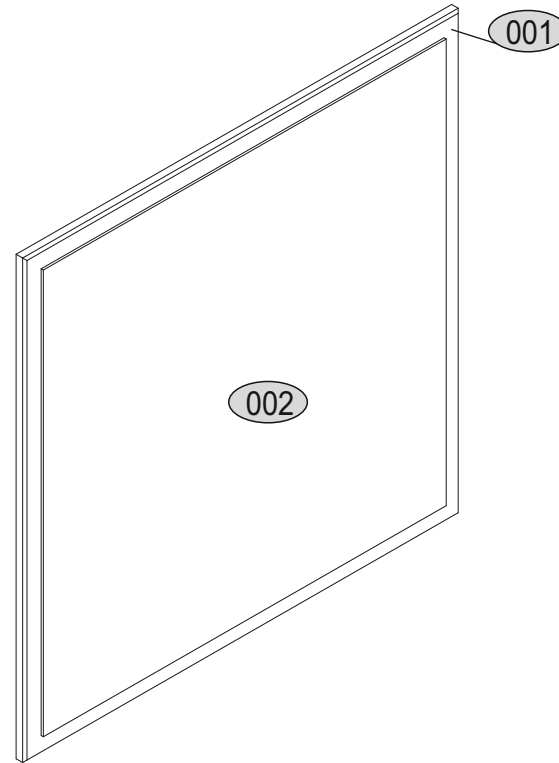
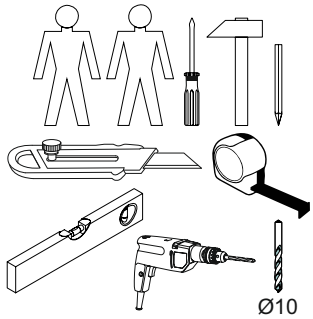
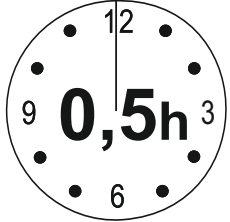








# Installation manual

## PAVI Mirror 80






Code	Dimensions				Package
001	800	800	16	1	1/1
002	740	740	4	1	1/1
accessories				1	1/1

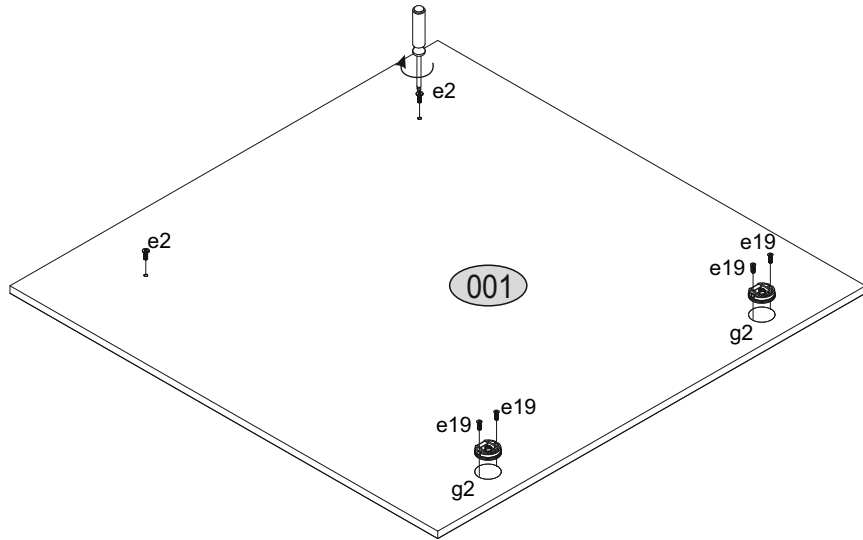
# Accessories:

<p>2x p17 Ø6x50</p> 	<p>4x e19 Ø5x9</p> 	<p>2x e2 Ø6.3x13</p> 	<p>2x f3</p> 
<p>2x g2</p> 	<p>1x z1</p> 		





# 1

 e2	 e19	 g2
x2	x4	x2



# 2

 f3	 p17
x2	x2

