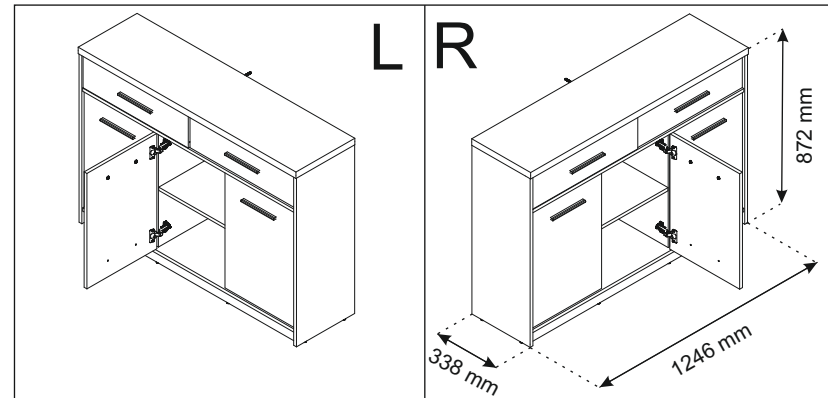
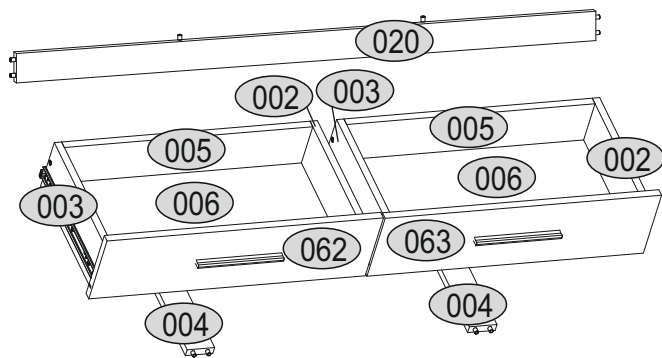
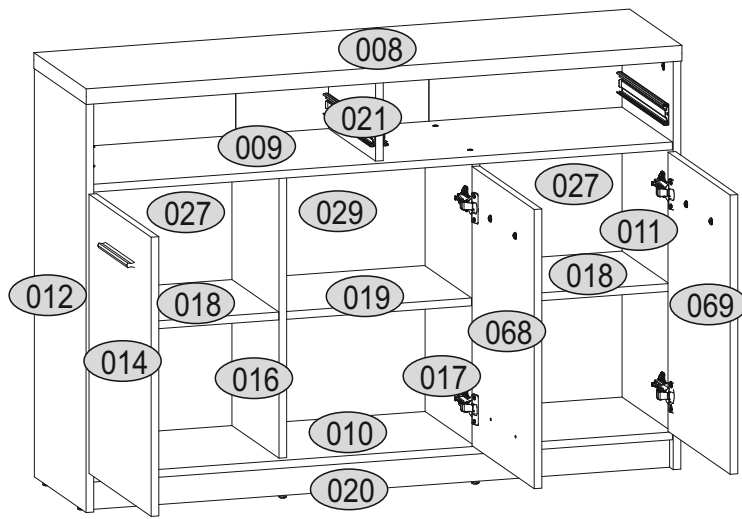
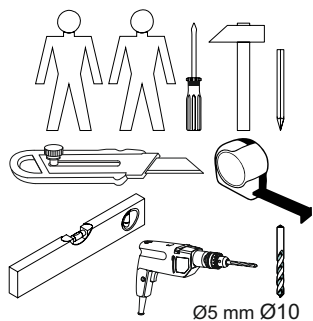
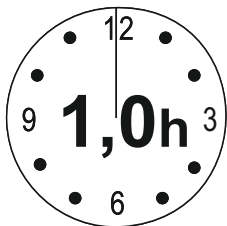
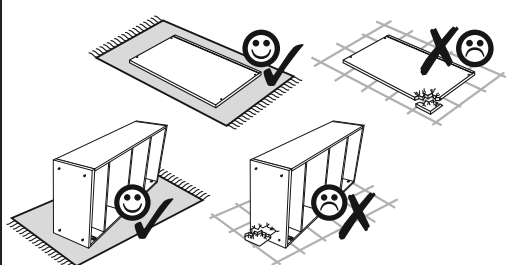
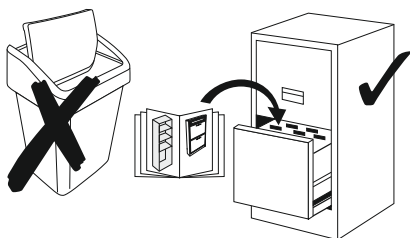


Installation manual

PAVI Chest 3D2S

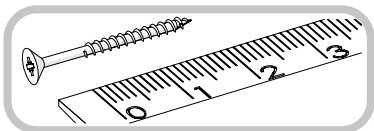


Code	Dimensions			Package
002	300	120	16	2 1/2
003	300	120	16	2 1/2
004	284	60	16	2 2/2
005	541	120	16	2 2/2
006	302	559	2,5	2 2/2
008	1246	338	16/32	1 1/2
009	1212	324	16	1 1/2
010	1212	324	16	1 1/2
011	834	333	16	1 1/2
012	834	333	16	1 1/2
014	570	400	16	2 2/2
016	576	303	16	1 1/2
017	576	303	16	1 1/2
018	396	301	16	2 2/2
019	387	301	16	2 2/2
020	1212	60	16	2 1/2
021	182	303	16	1 2/2
027	798	413	2,5	2 2/2
029	798	404	2,5	1 2/2
062	602	160	16	1 2/2
063	602	160	16	1 2/2
068	570	400	16	1 2/2
069	570	400	16	1 2/2
accessories				1 1/2



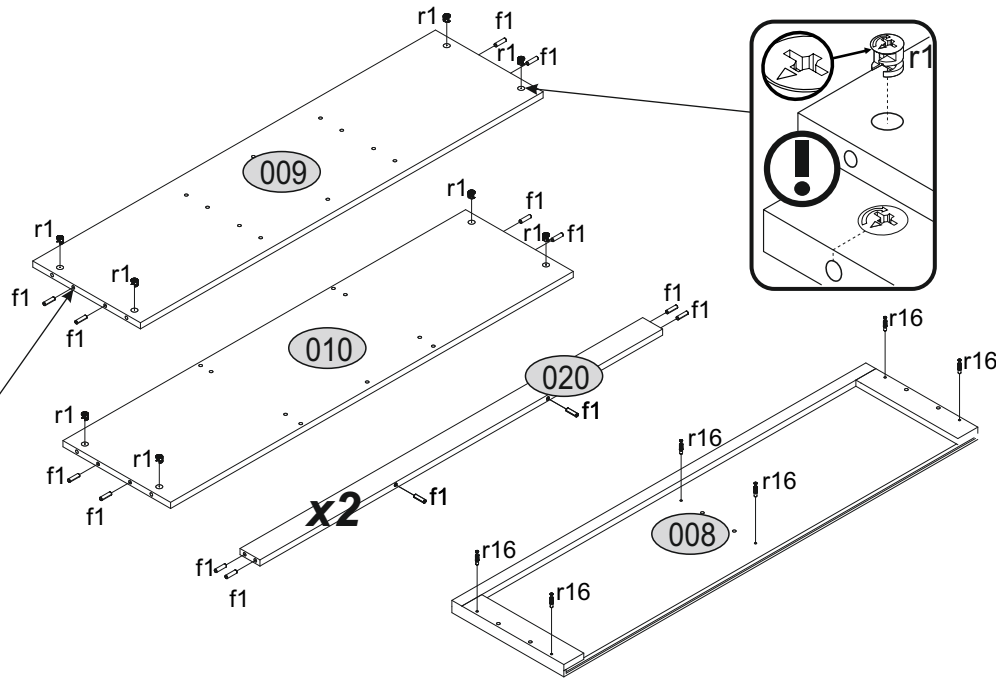
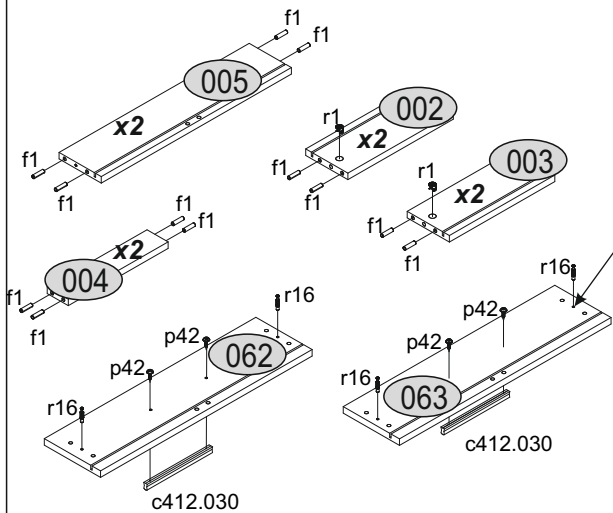
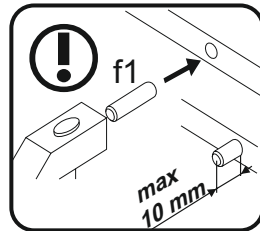
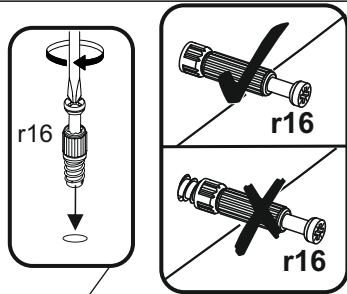
Accessories:

<p>4x a143</p> 	<p>2x a145</p> 	<p>6x b119</p> 	<p>5x c412.030</p> 
<p>12x d1</p> 	<p>14x e1</p> <p>Ø7x50</p> 	<p>60x f1</p> <p>Ø8x30</p> 	<p>1x f3</p> 
<p>8x k1</p> 	<p>1x n14</p> 	<p>4x n260.01</p> 	<p>1x p17</p> <p>Ø6x50</p> 
<p>42x p25</p> <p>Ø3.5x16</p> 	<p>10x p42</p> 	<p>30x l1</p> 	<p>2x Lb-300</p> 
<p>18x r1</p> <p>15x12</p> 	<p>18x r16</p> <p>Ø5x24</p> 	<p>11x s2</p> 	<p>6x s4</p> 
<p>2x s1</p> 	<p>1x z1</p> 		



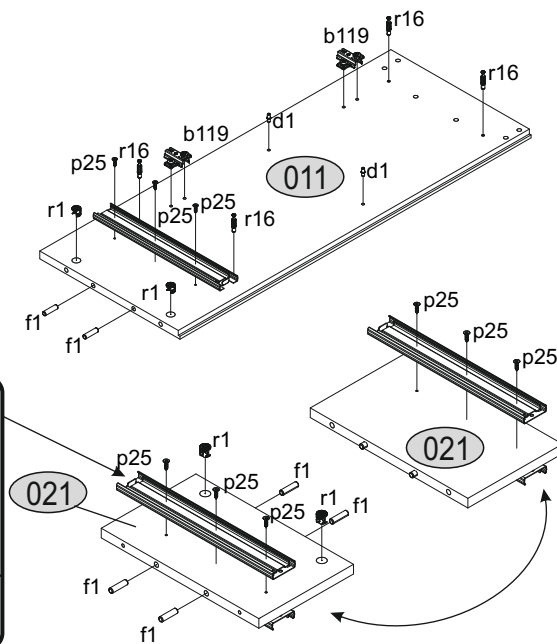
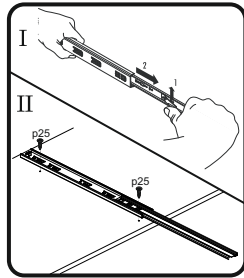
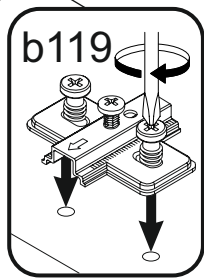
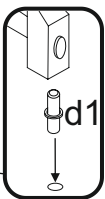
1

r1	r16	f1	p42	c412.030
x12	x10	x44	x4	x2



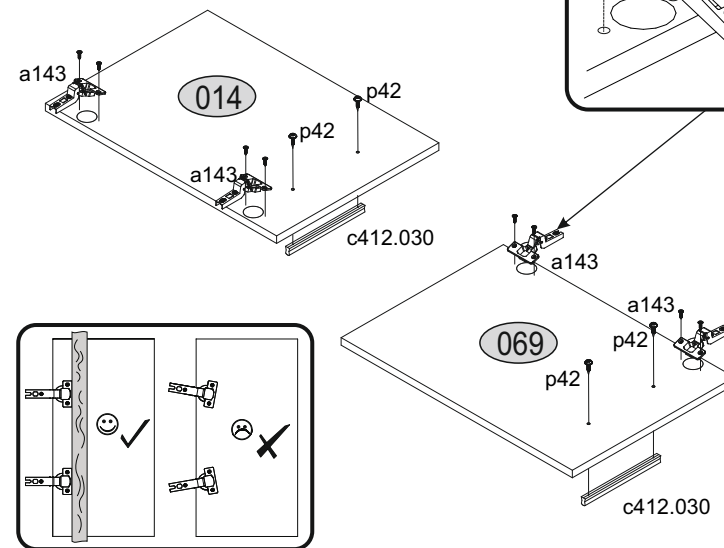
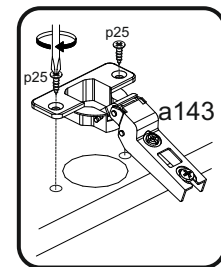
2

p25	r1	r16	f1	d1	b119	lb-300
x12	x6	x8	x8	x4	x4	x2





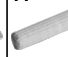
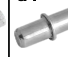



3

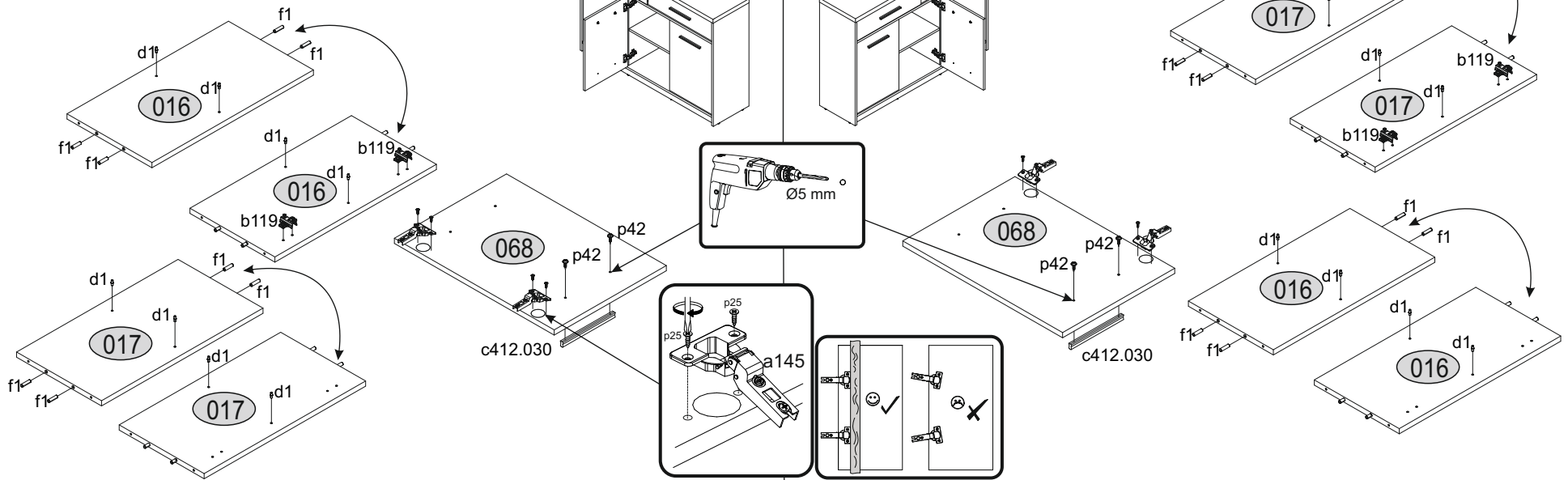
p25	p42	c412.030	a143
x8	x4	x2	x4




4

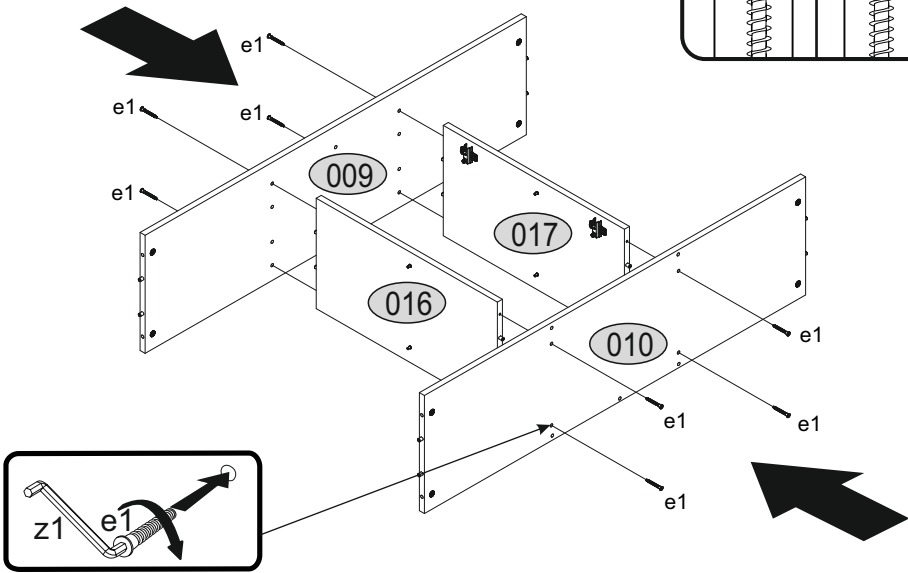
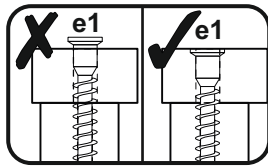
p25 	p42 	c412.030 	a145 	f1 	d1 	b119 
x4	x2	x1	x2	x8	x8	x2

LR




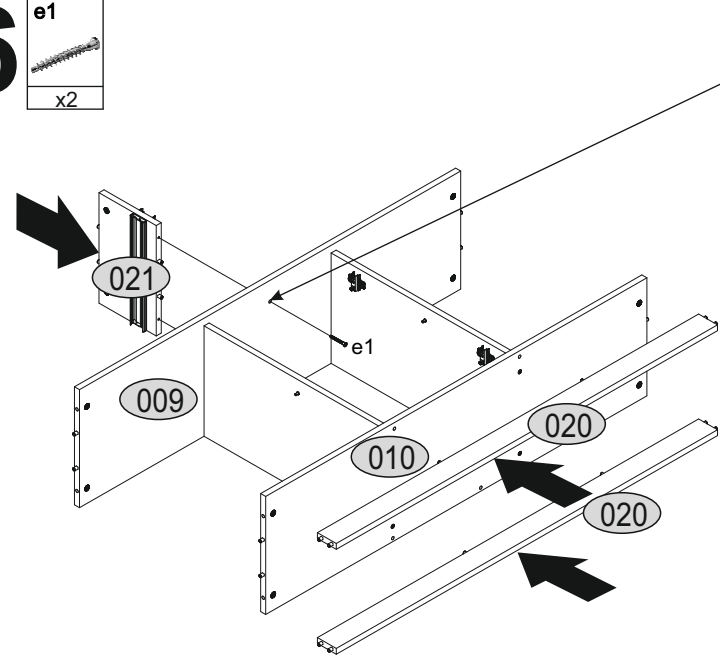
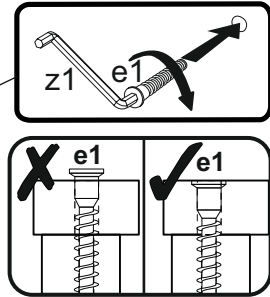
5

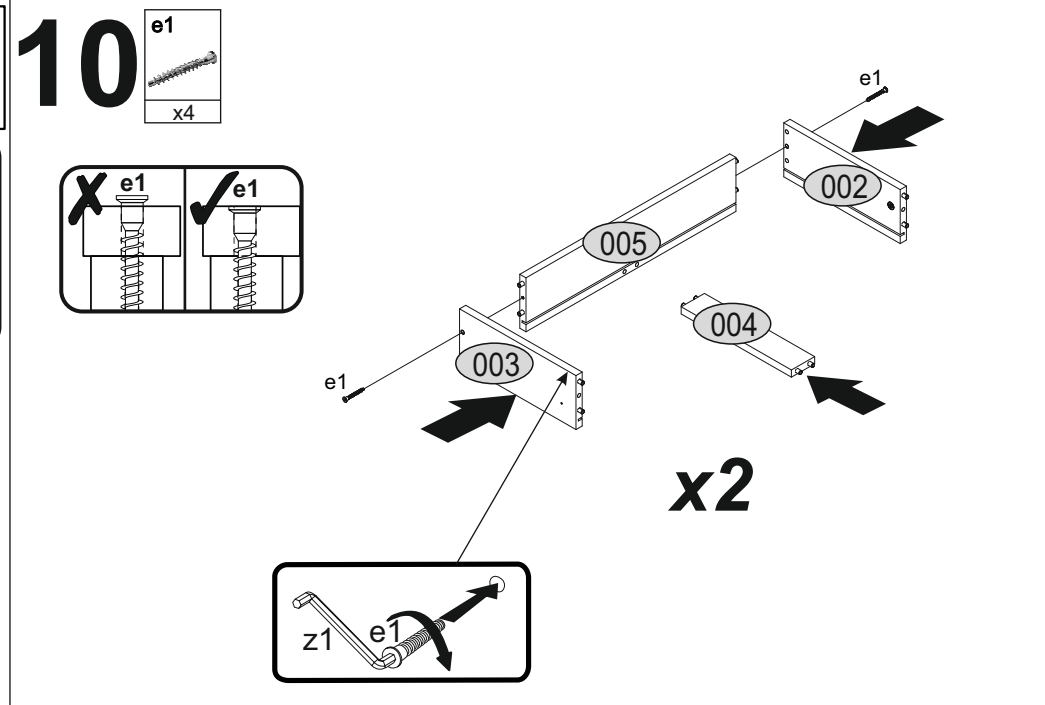
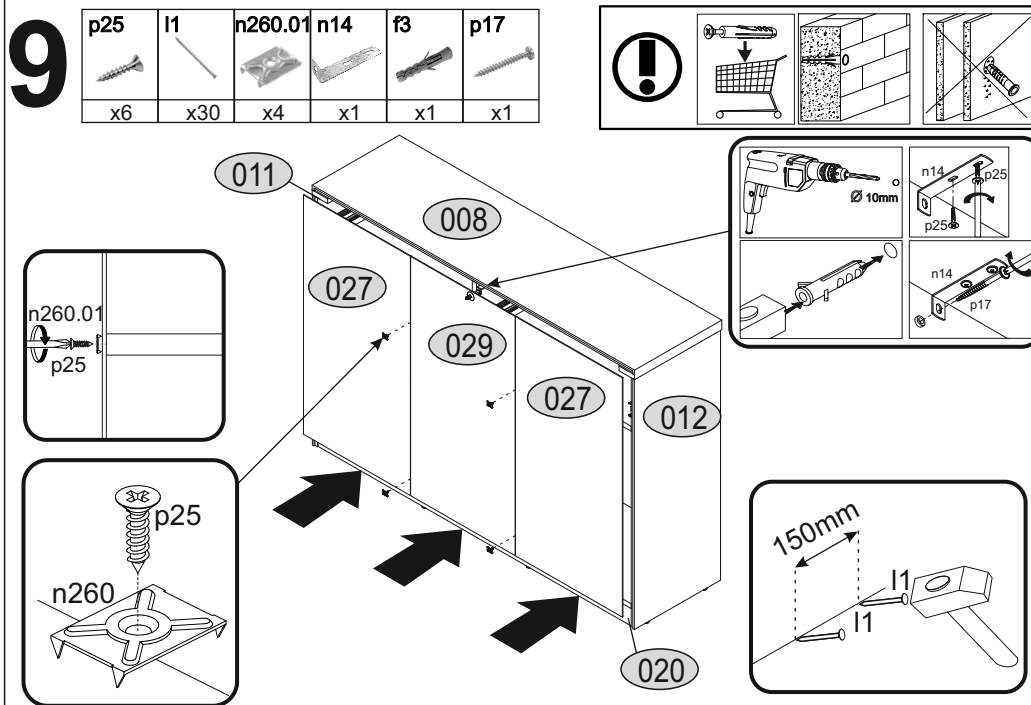
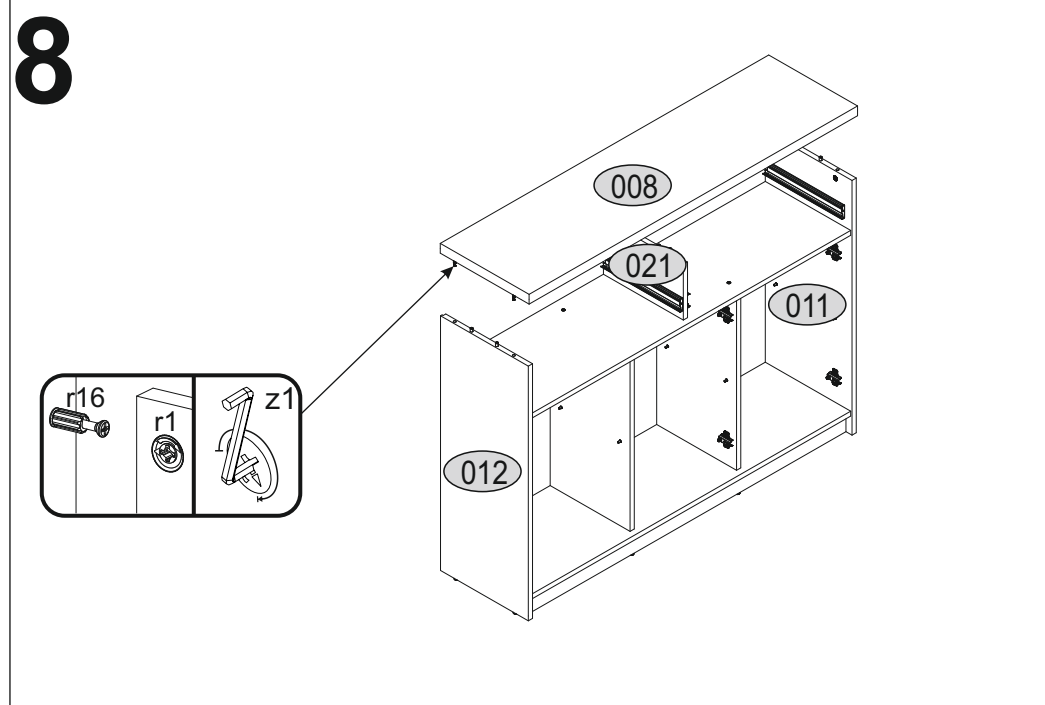
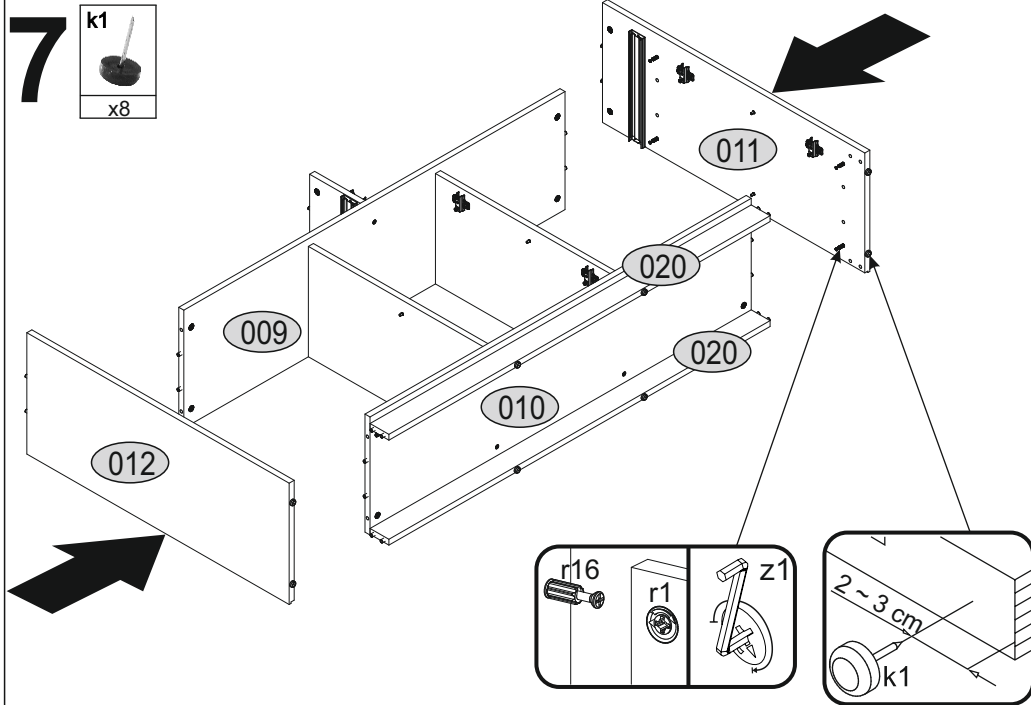
e1 
x8



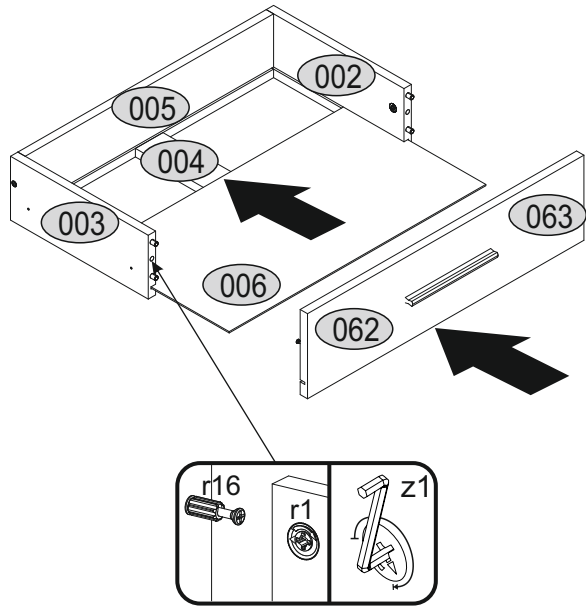
6

e1 
x2





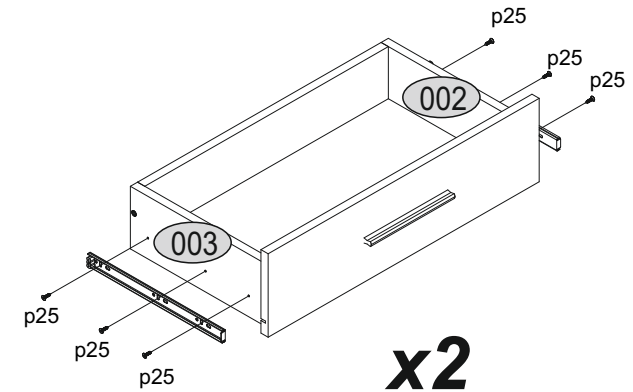


11

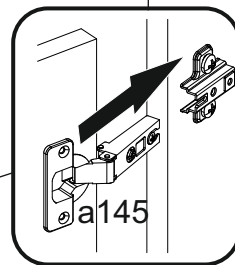
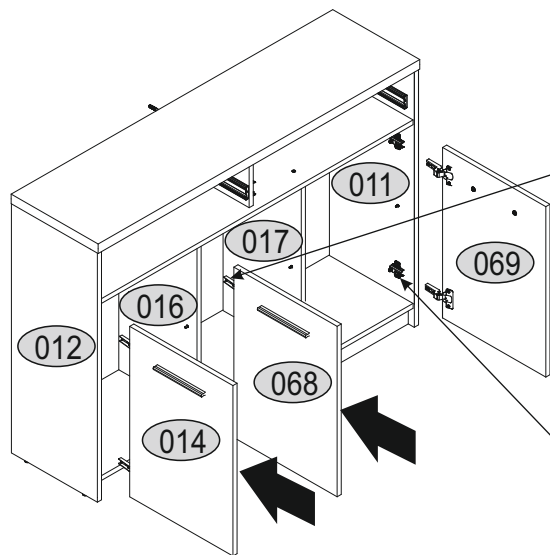
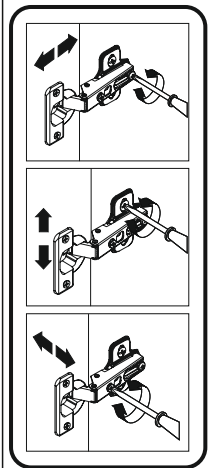


12

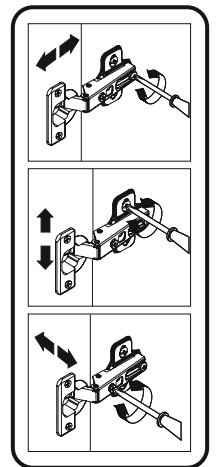
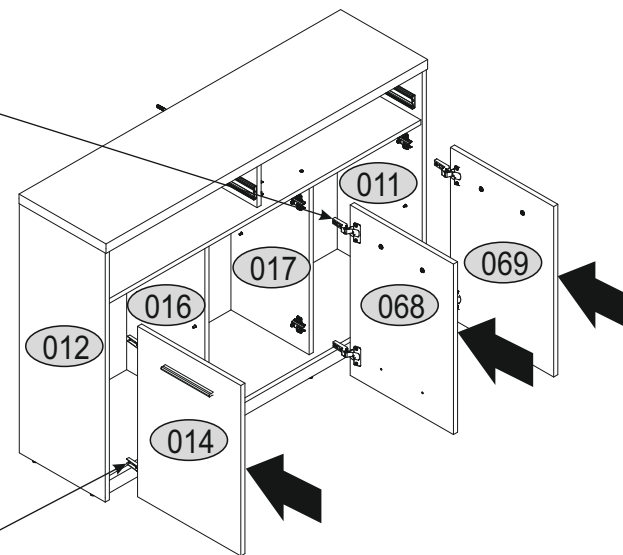
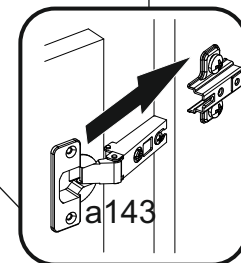
	
x12	x2



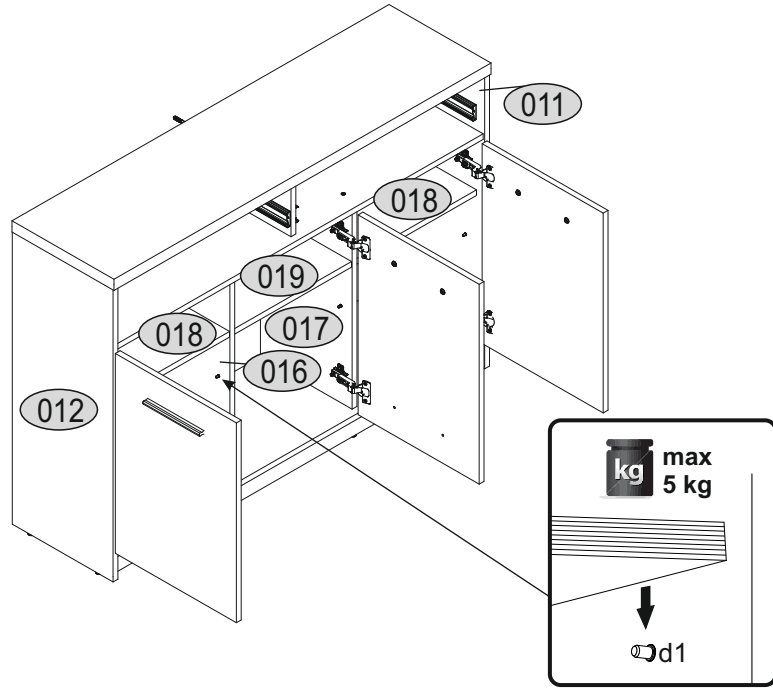
13



L R



14



15

s4	s2	s1
x6	x11	x2

