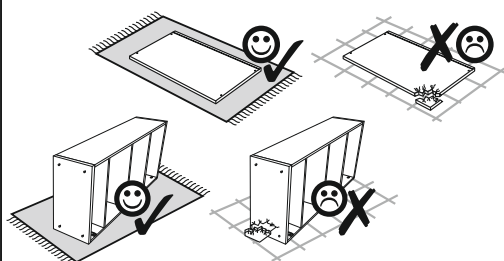
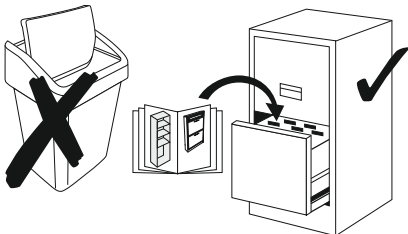
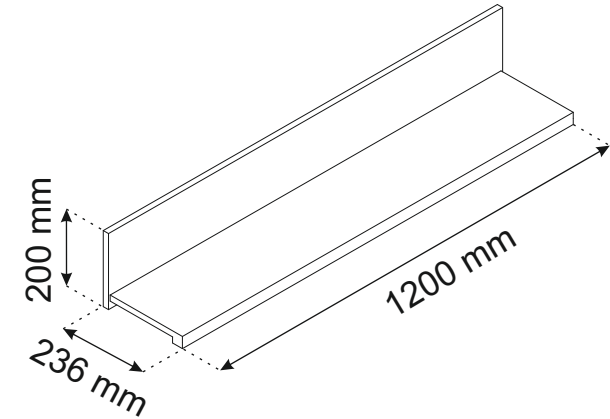
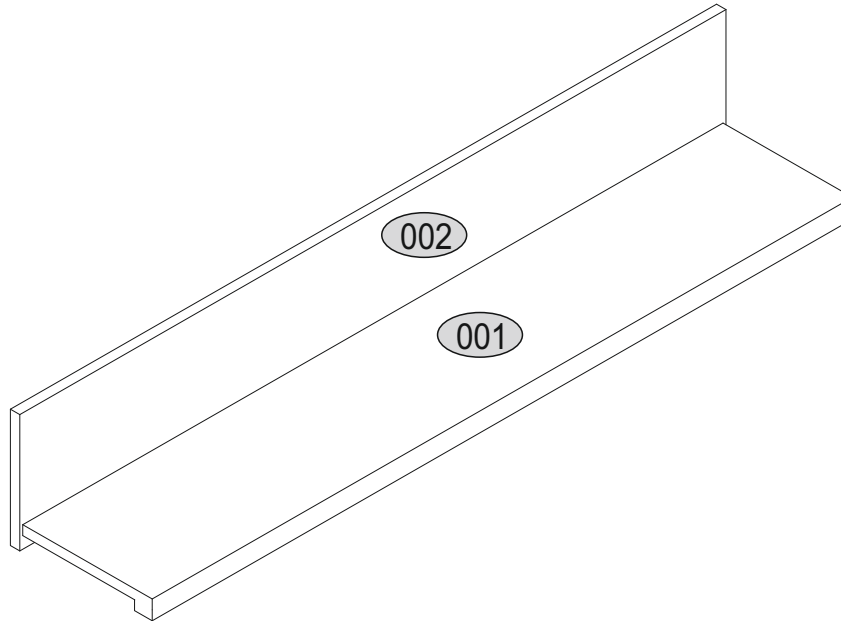
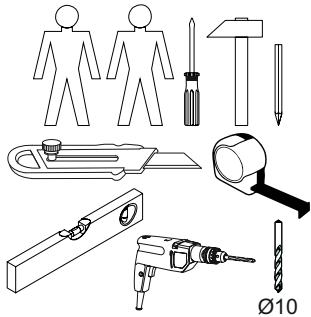
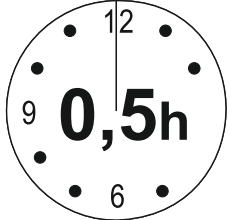










# Installation manual

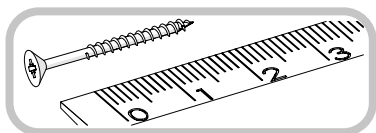
## PAVI Shelf 120



Code	Dimensions				Package
001	1190	220	16/32	1	1/1
002	1200	200	16	1	1/1
accessories				1	1/1

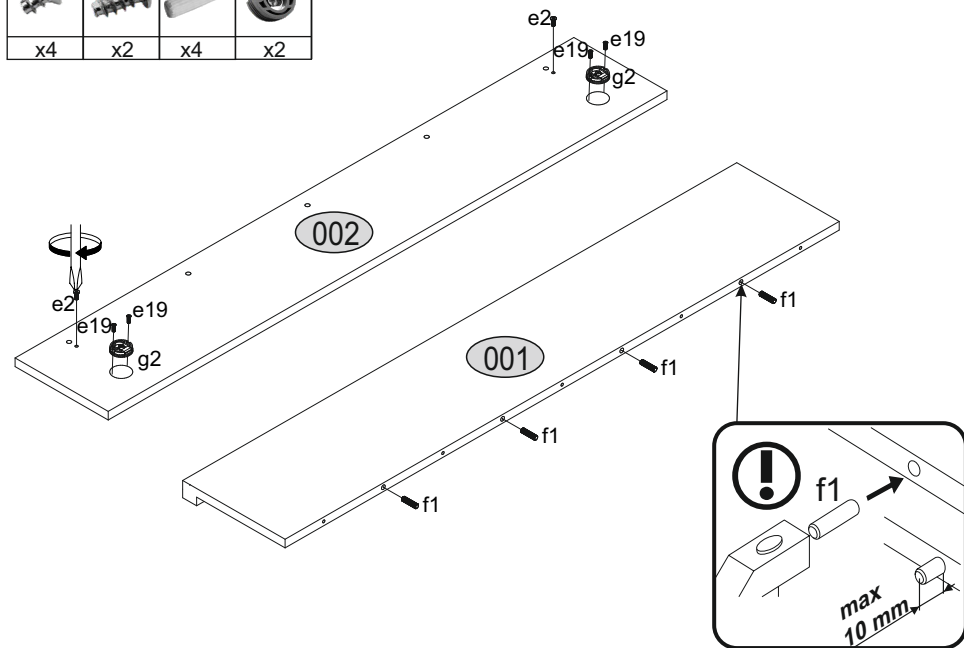
# Accessories:

<p>5x e1</p> <p>Ø7x50</p> 	<p>4x f1</p> <p>Ø8x30</p> 	<p>2x f3</p> 	<p>2x e2</p> <p>Ø6.3x13</p> 
<p>2x p17</p> <p>Ø6x50</p> 	<p>4x e19</p> <p>Ø5x9</p> 	<p>2x g2</p> 	<p>1x z1</p> 



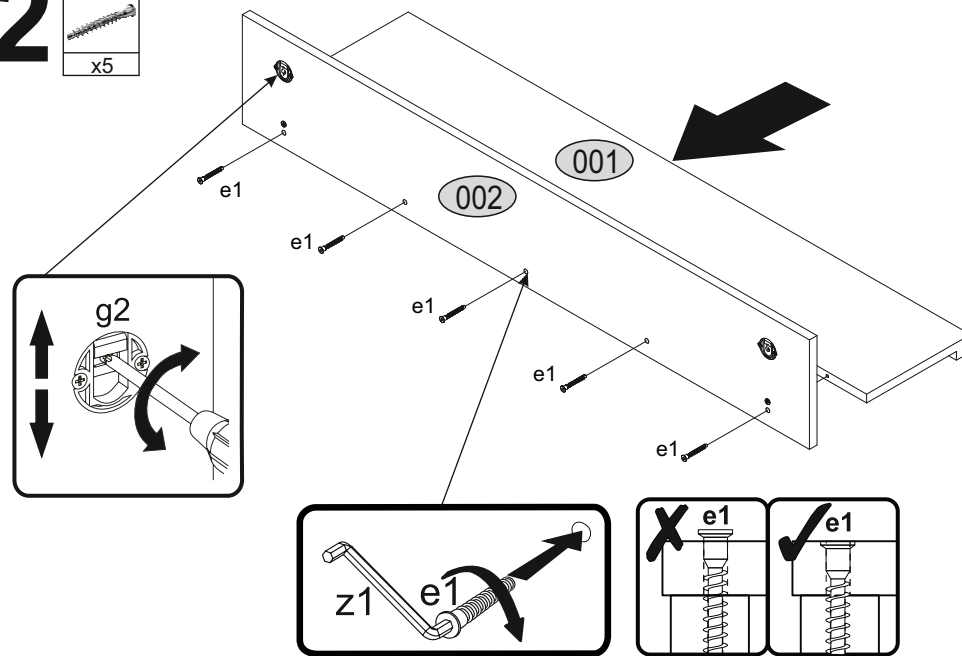
# 1

<b>e19</b> 	<b>e2</b> 	<b>f1</b> 	<b>g2</b> 
x4	x2	x4	x2



# 2

<b>e1</b> 
x5



# 3

<b>f3</b> 	<b>p17</b> 
x2	x2

