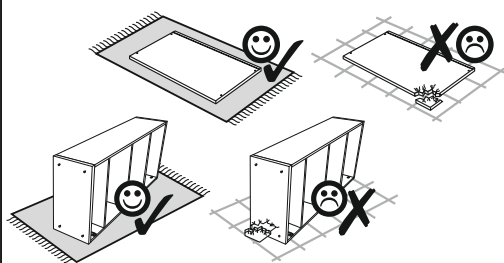
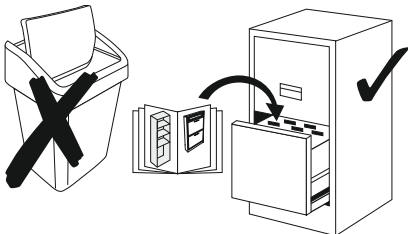
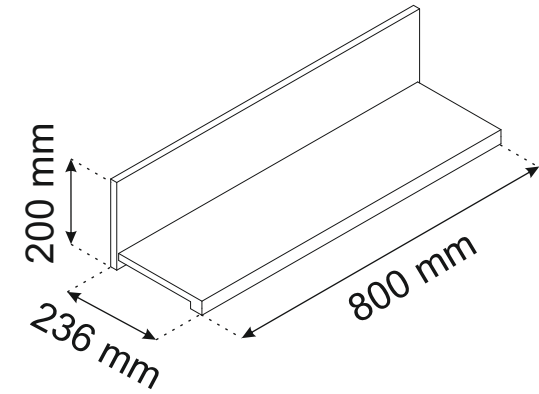
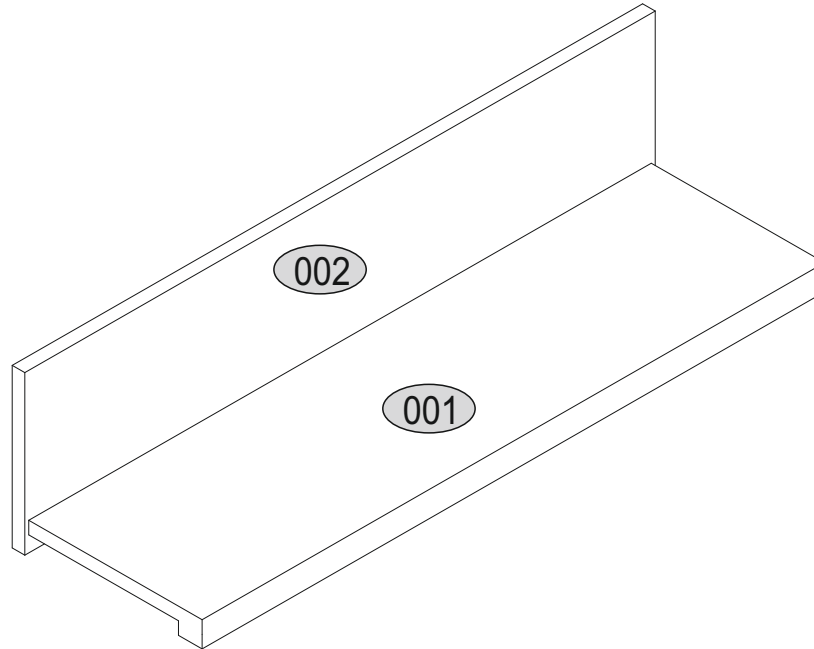
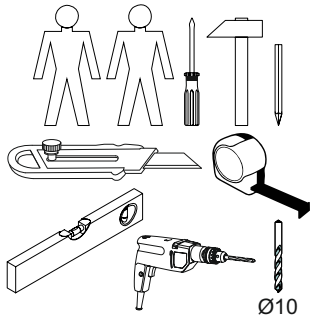
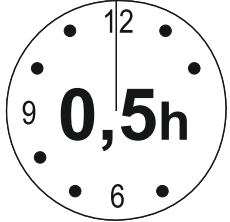










Installation manual

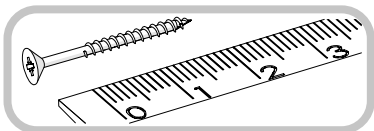
PAVI Shelf 80



Code	Dimensions				Package
001	790	220	16/32	1	1/1
002	800	200	16	1	1/1
accessories				1	1/1

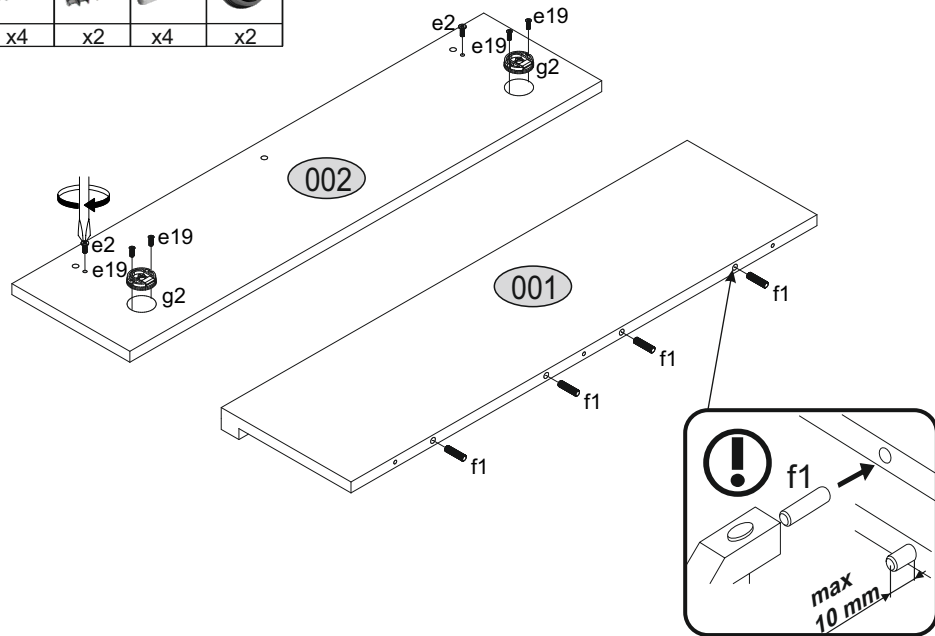
Accessories:

<p>3x e1</p> <p>Ø7x50</p> 	<p>4x f1</p> <p>Ø8x30</p> 	<p>2x f3</p> 	<p>2x e2</p> <p>Ø6.3x13</p> 
<p>2x p17</p> <p>Ø6x50</p> 	<p>4x e19</p> <p>Ø5x9</p> 	<p>2x g2</p> 	<p>1x z1</p> 



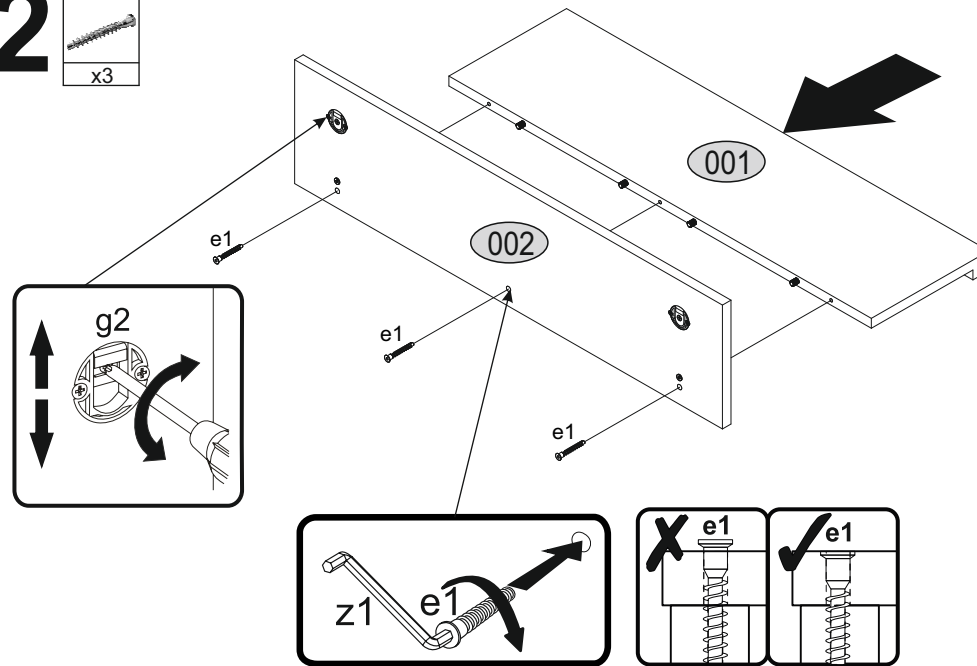
1

e19 	e2 	f1 	g2
x4	x2	x4	x2



2

e1
x3



3

f3 	p17
x2	x2

