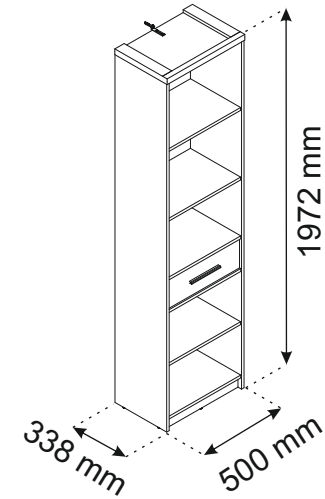
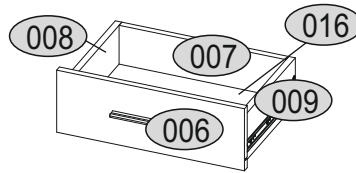
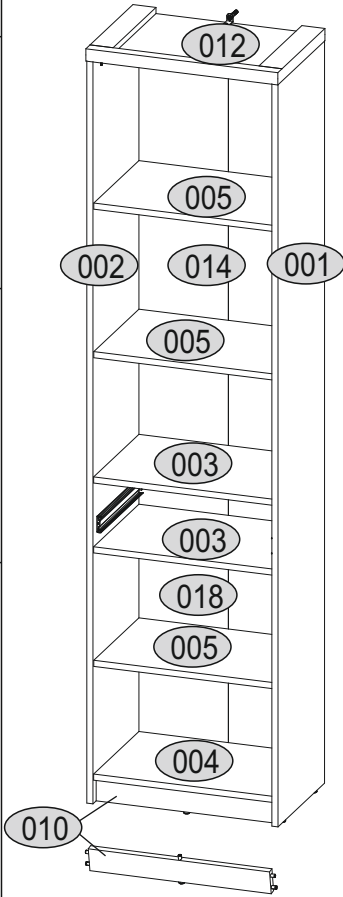
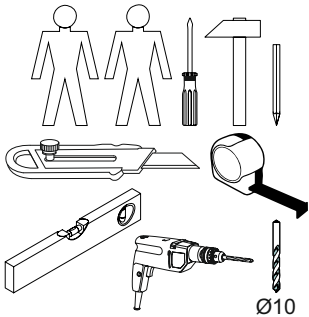
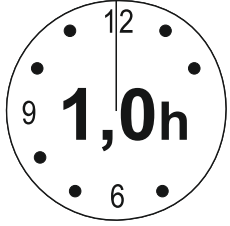
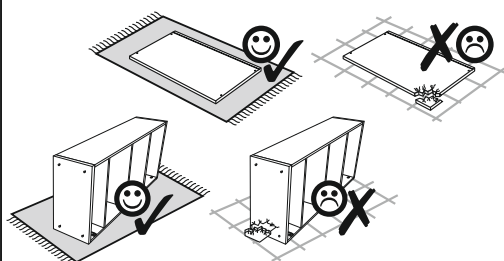
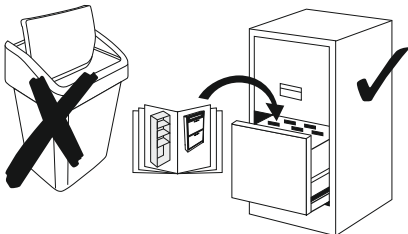


Installation manual

PAVI Open shelving 1S/50

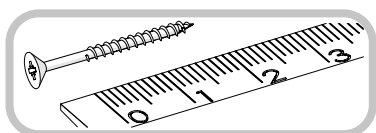


Code	Dimensions			Package	
001	1934	333	16	1	1/1
002	1934	333	16	1	1/1
003	466	324	16	2	1/1
004	466	324	16	1	1/1
005	466	323	16	3	1/1
006	460	160	16	1	1/1
007	409	120	16	1	1/1
008	300	120	16	1	1/1
009	300	120	16	1	1/1
010	466	60	16	2	1/1
012	500	338	16/32	1	1/1
014	1101	484	2,5	1	1/1
016	302	427	2,5	1	1/1
018	781	484	2,5	1	1/1
accessories				1	1/1



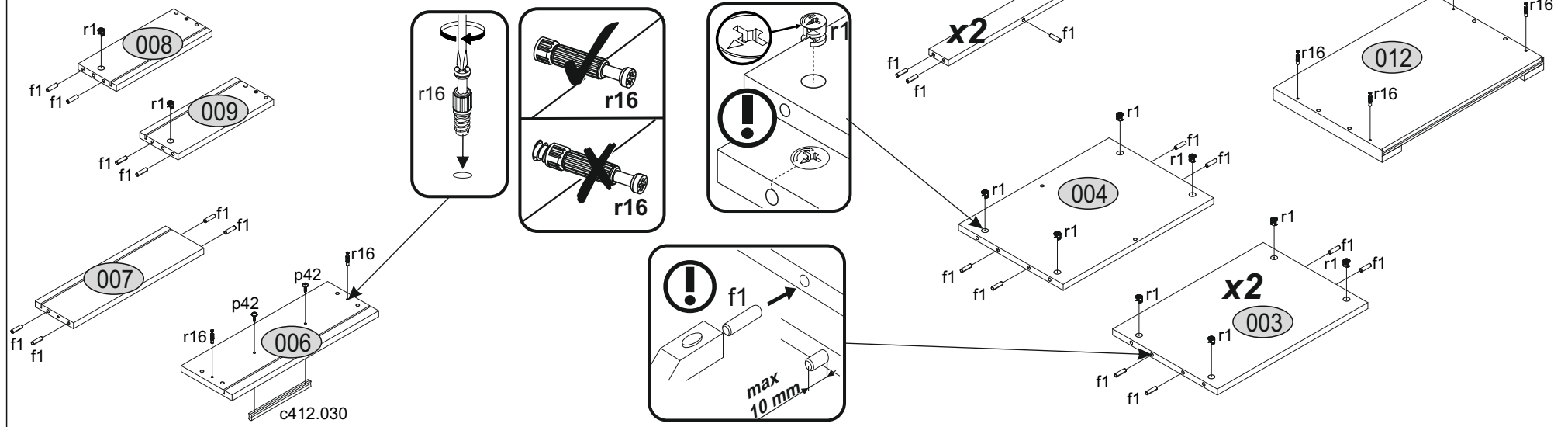
Accessories:

<p>1x c412.030</p> 	<p>12x d1</p> 	<p>2x e1 Ø7x50</p> 	<p>38x f1 Ø8x30</p> 
<p>1x f3</p> 	<p>4x k1</p> 	<p>1x n14</p> 	<p>2x n260.01</p> 
<p>40x l1</p> 	<p>1x Lb-300</p> 	<p>1x p17 Ø6x50</p> 	<p>16x p25 Ø3.5x16</p> 
<p>2x p42</p> 	<p>18x r1 15x12</p> 	<p>18x r16 Ø5x24</p> 	<p>10x s2</p> 
<p>1x z1</p> 			



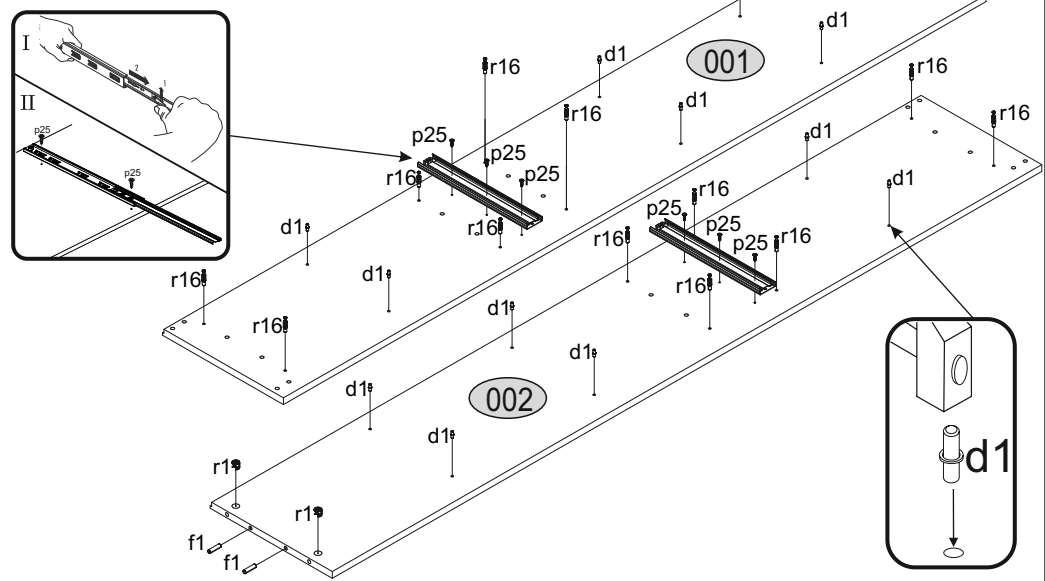
1

r1 	r16 	f1 	p42 	c412.030
x14	x6	x30	x2	x1

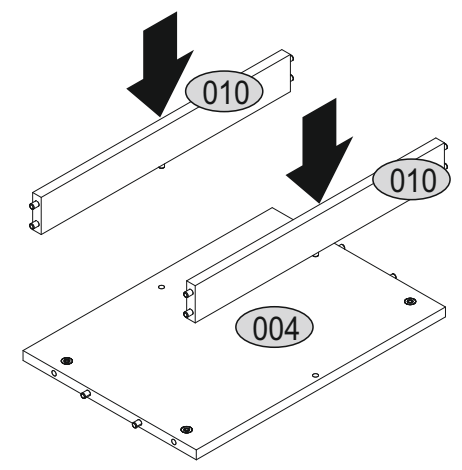


2

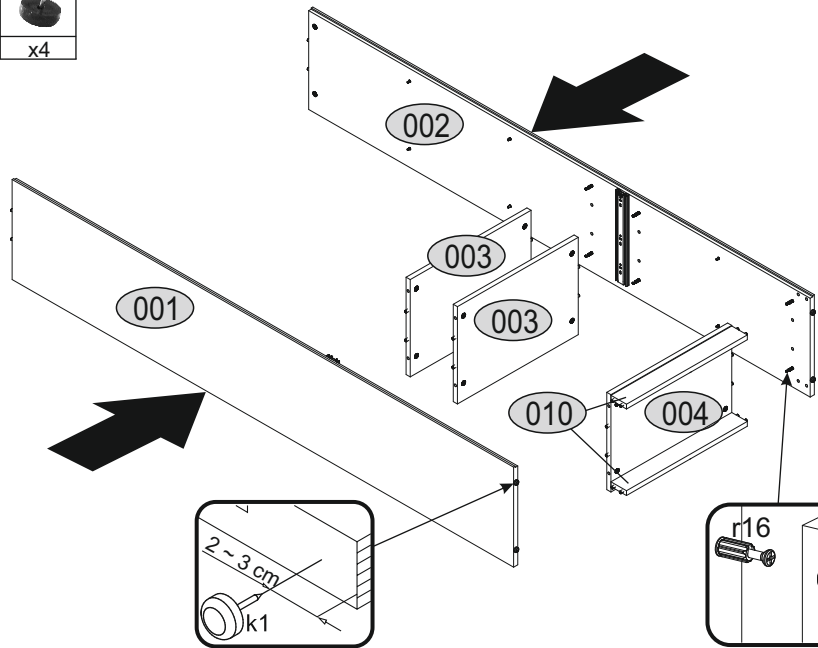
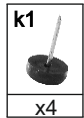
r1 	r16 	f1 	p25 	d1 	lb-300
x4	x12	x4	x6	x12	x1



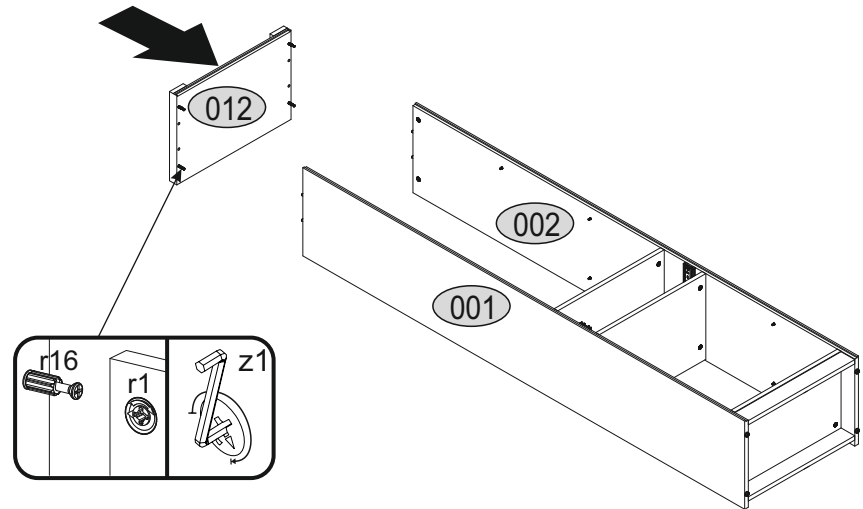
3



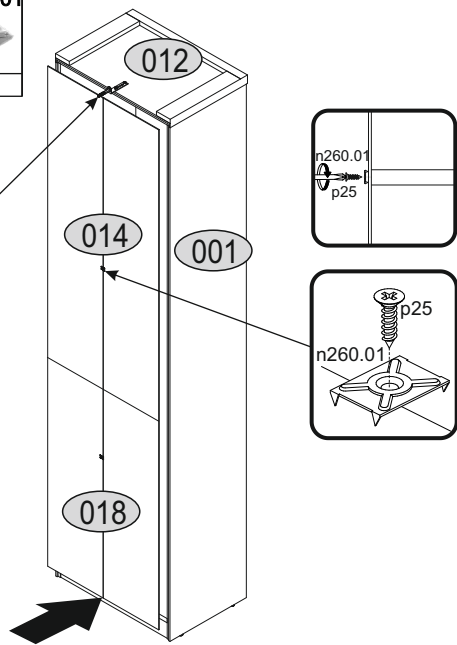
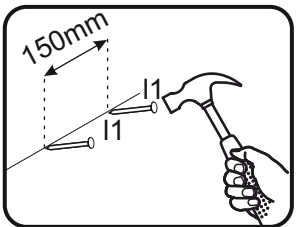
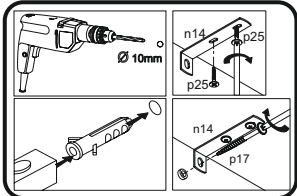
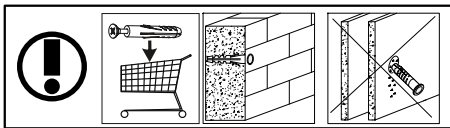
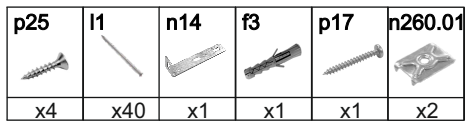
4



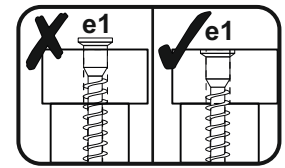
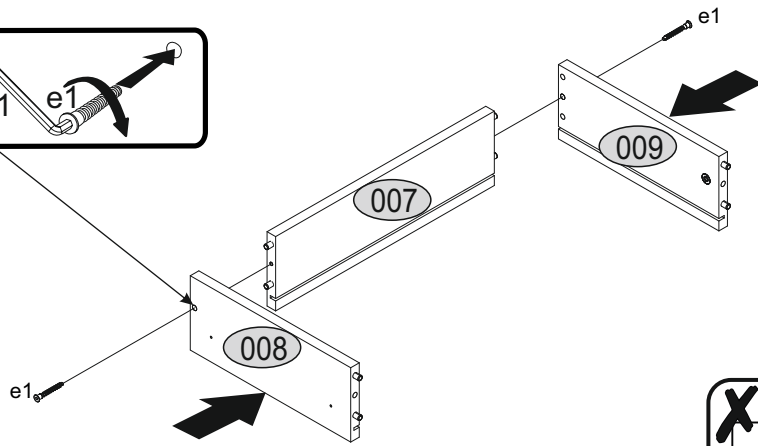
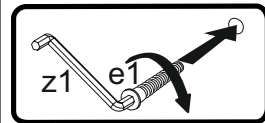
5



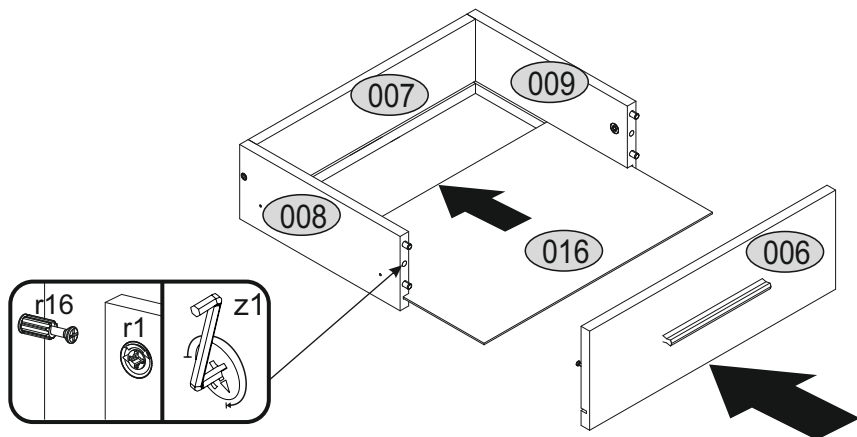
6



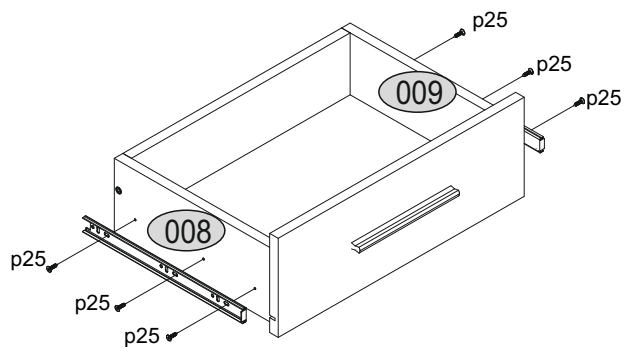
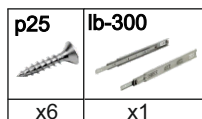
7



8



9



10

