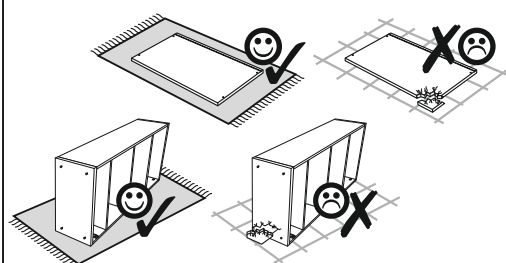
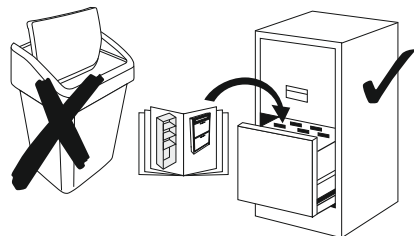
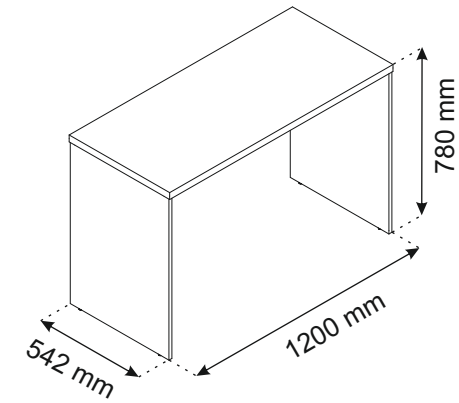
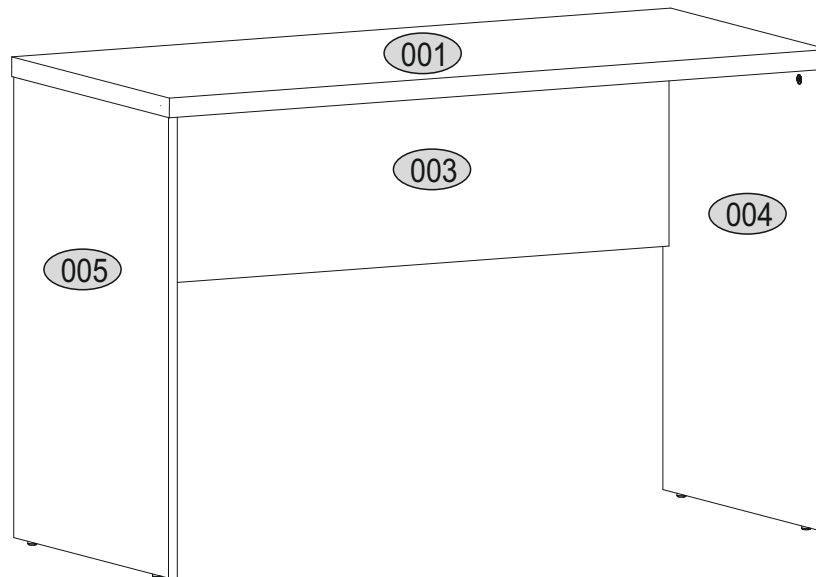
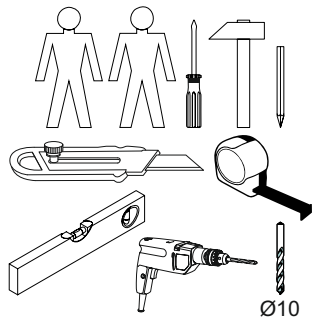
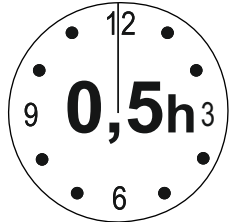








# Installation manual

## PAVI Writing desk 120






Code	Dimensions			Package	
001	1200	542	16/32	1	1/1
003	1166	350	16	1	1/1
004	748	530	16	1	1/1
005	748	530	16	1	1/1
accessories				1	1/1

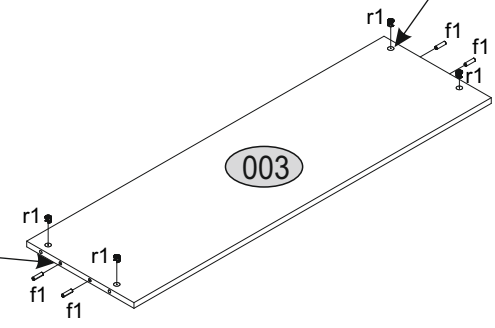
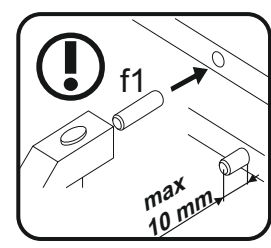
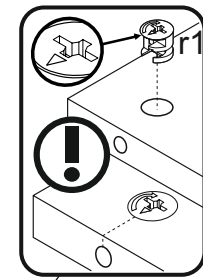
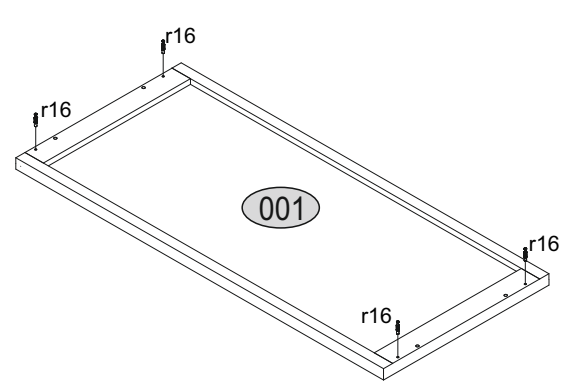
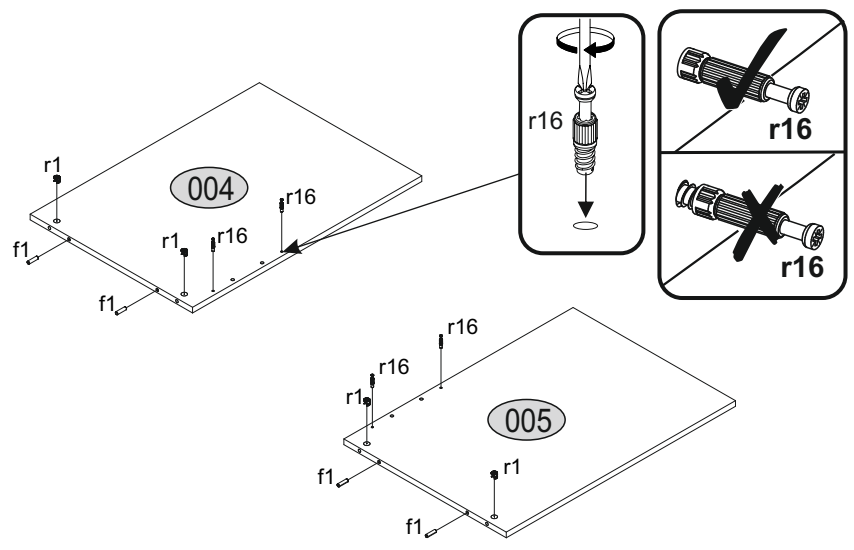
# Accessories:

<p>8x f1 Ø8x30</p> 	<p>4x k1</p> 	<p>8x r1 15x12</p> 	<p>8x r16 Ø5x24</p> 
<p>8x s2</p> 	<p>1x z1</p> 		

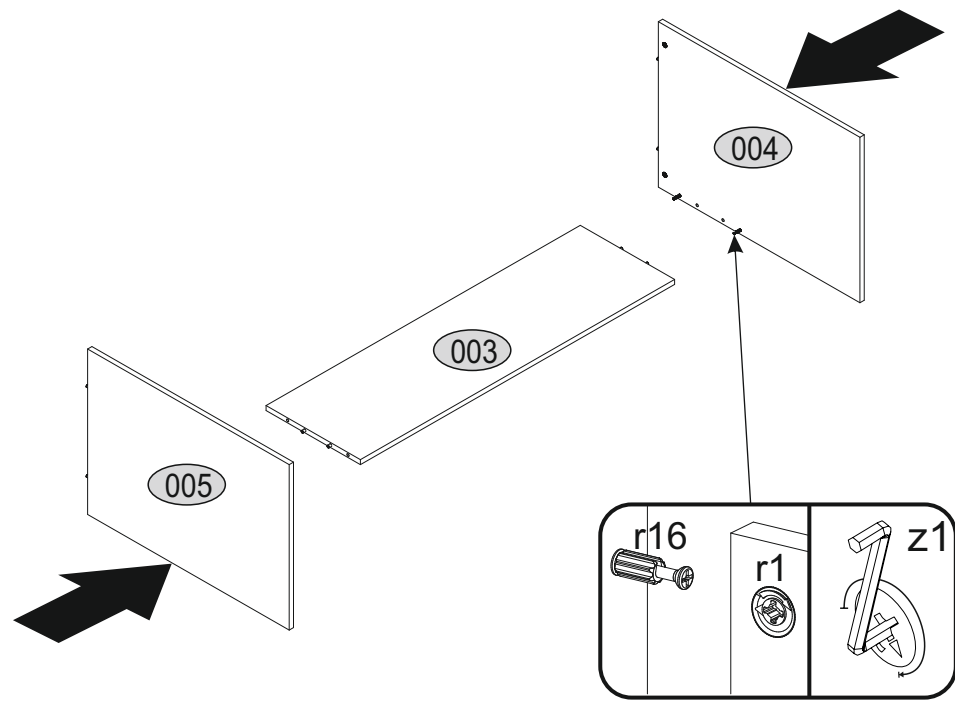


# 1



		
x8	x8	x8



# 2



# 3

	
x8	x4

