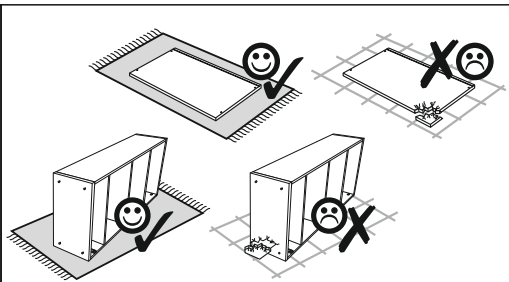
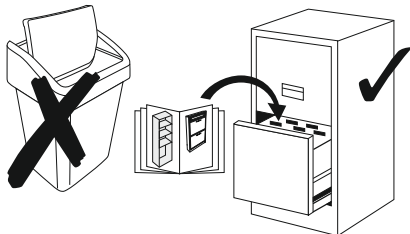
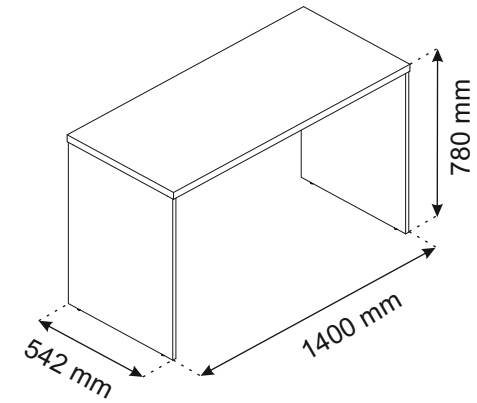
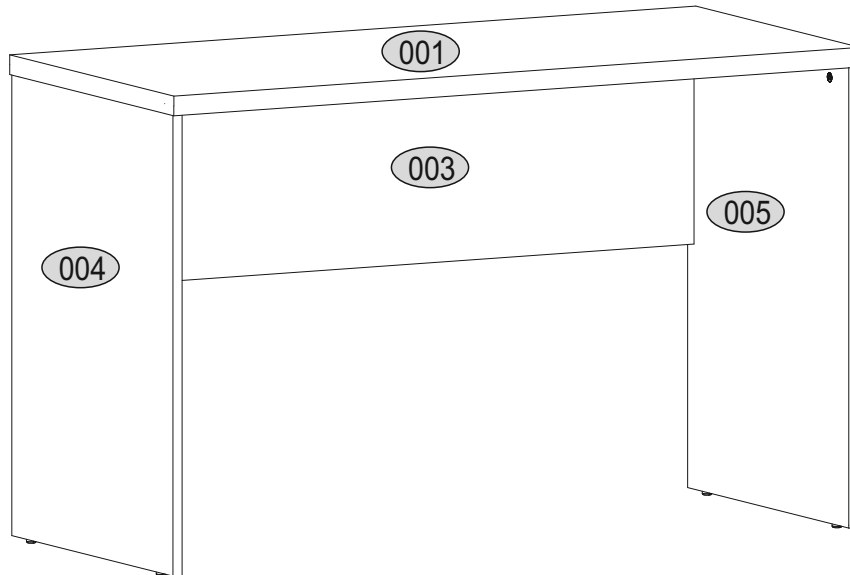
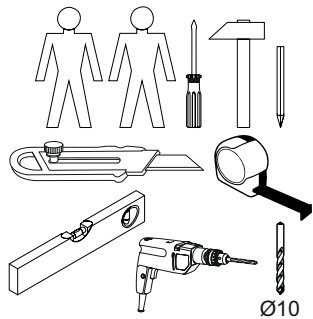
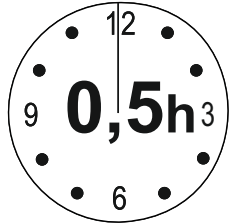








Installation manual

PAVI Writing desk 140






Code	Dimensions				Package
001	1400	542	16/32	1	1/1
003	1366	350	16	1	1/1
004	748	530	16	1	1/1
005	748	530	16	1	1/1
accessories				1	1/1

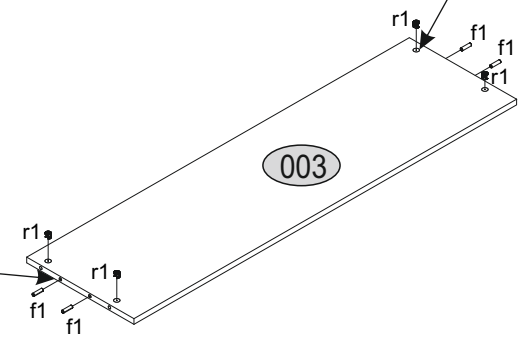
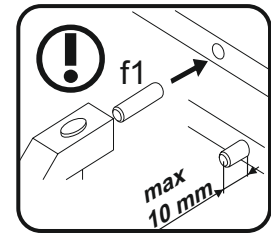
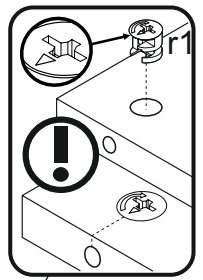
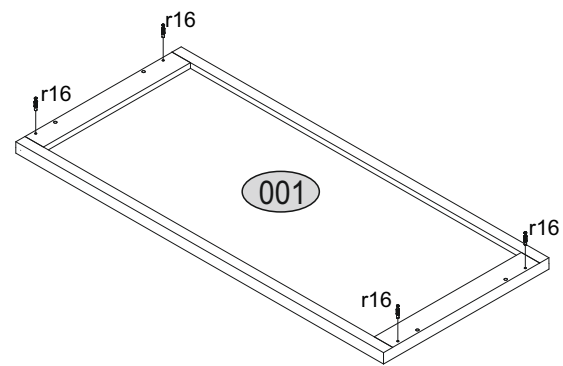
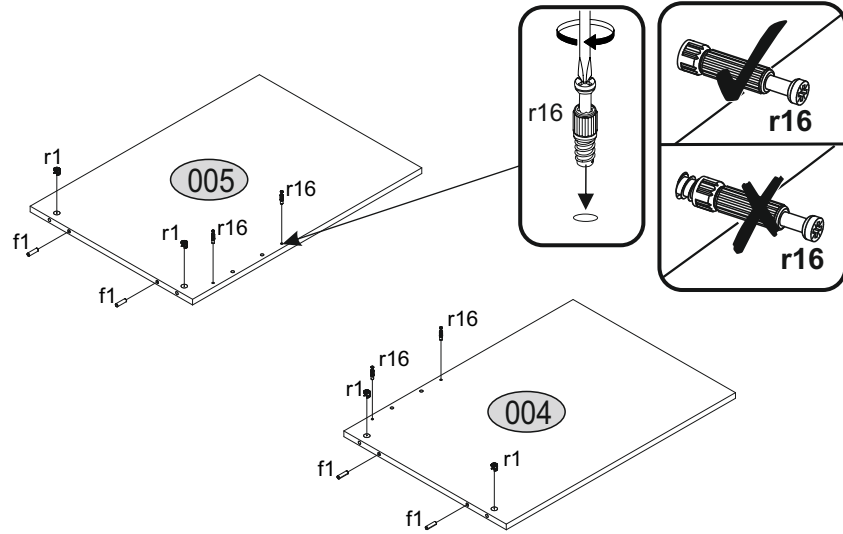
Accessories:

<p>8x f1 Ø8x30</p> 	<p>4x k1</p> 	<p>8x r1 15x12</p> 	<p>8x r16 Ø5x24</p> 
<p>8x s2</p> 	<p>1x z1</p> 		

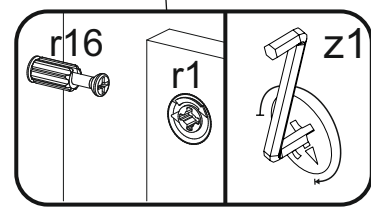
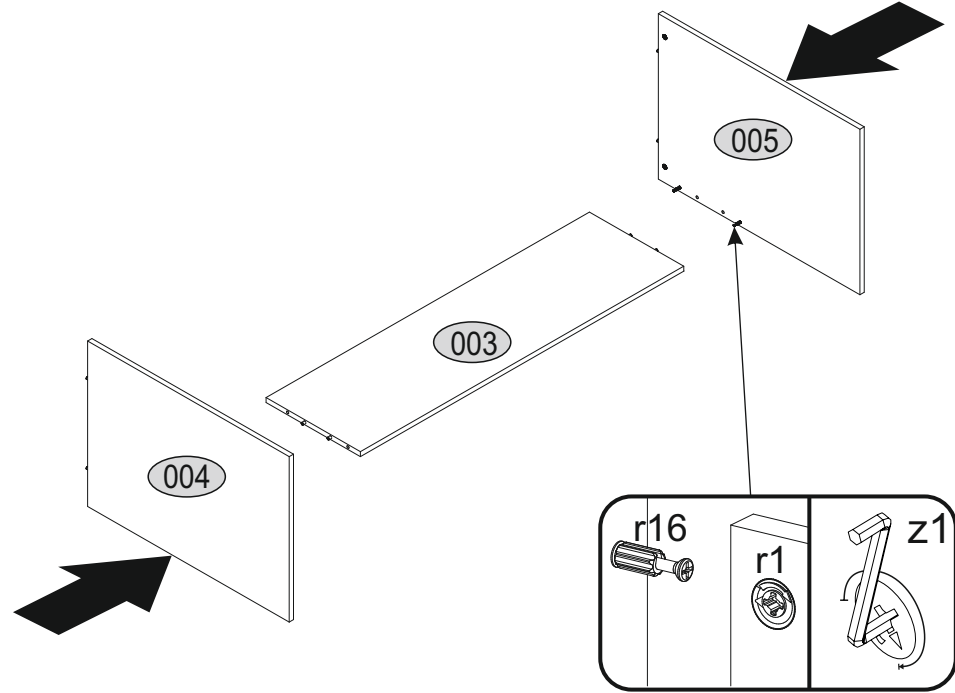


1



		
x8	x8	x8



2



3

	
x8	x4

