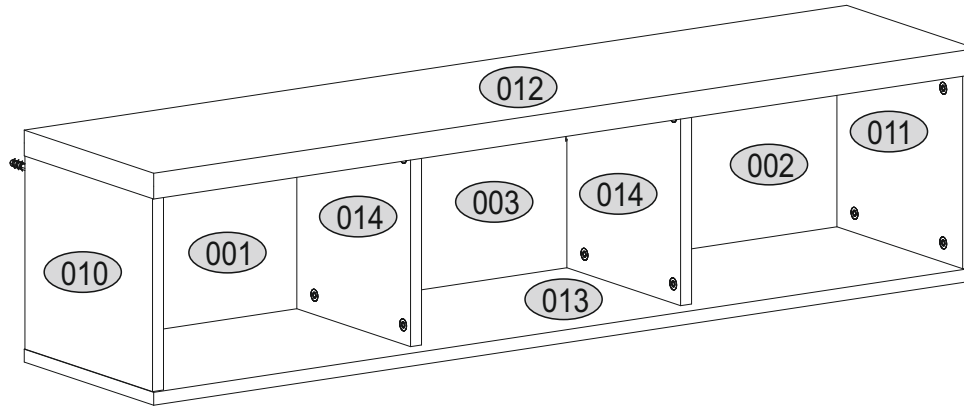
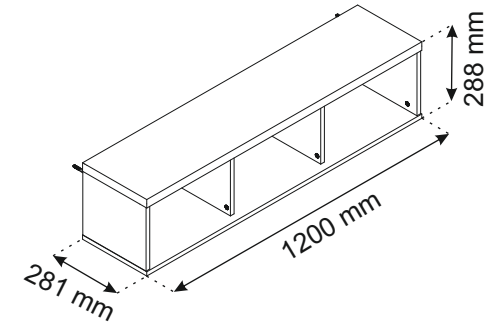
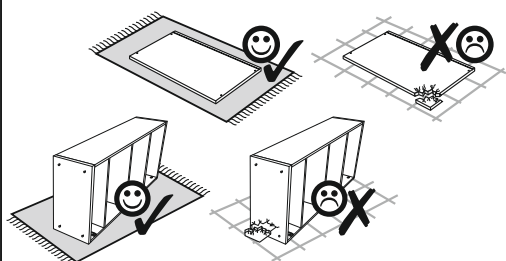
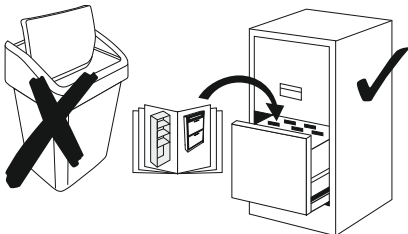
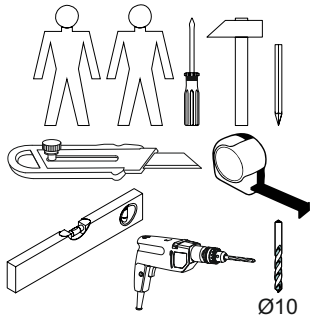
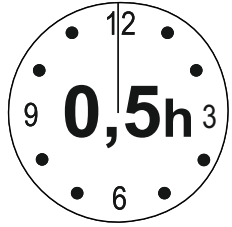














Installation manual

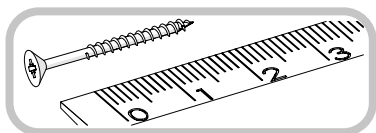
PAVI Hinged cabinet 120



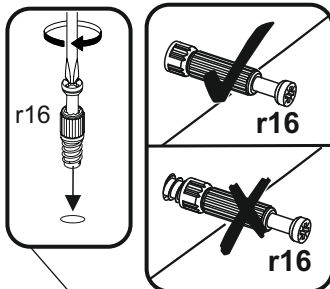
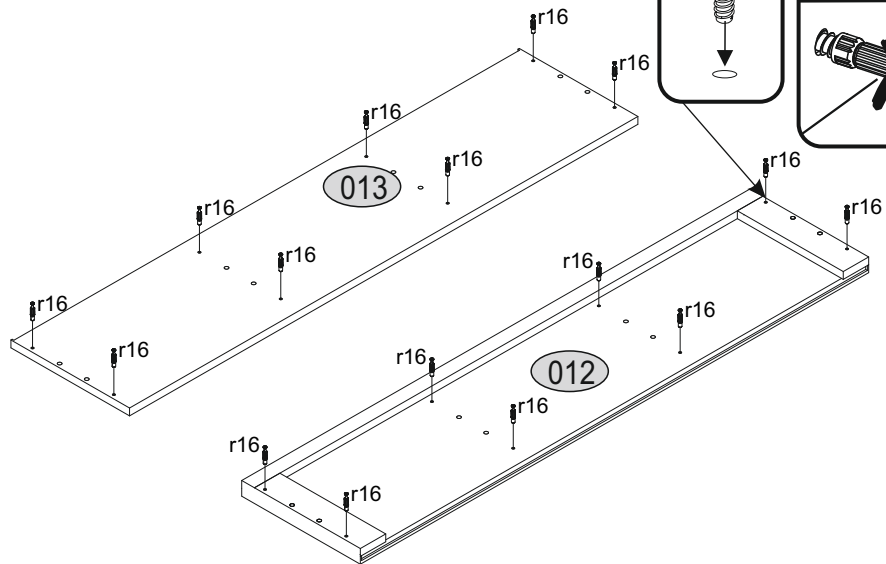
Code	Dimensions				Package
001	395	274	2,5	1	1/1
002	395	274	2,5	1	1/1
003	394	274	2,5	1	1/1
010	240	276	16	1	1/1
011	240	276	16	1	1/1
012	1200	281	16/32	1	1/1
013	1200	280	16	1	1/1
014	256	246	16	2	1/1
accessories					1 1/1

Accessories:

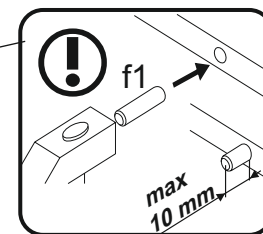
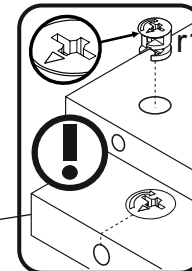
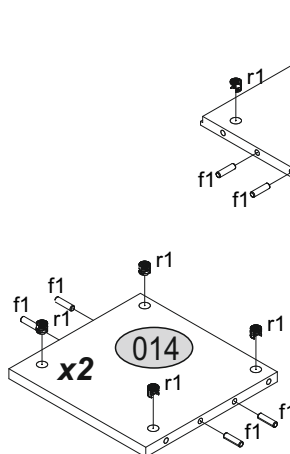
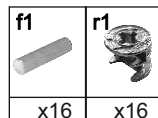
<p>16x f1 Ø8x30</p> 	<p>2x f3</p> 	<p>2x n260.01</p> 	<p>2x n322</p> 
<p>4x p21</p> 	<p>2x p25 Ø3.5x16</p> 	<p>2x p29</p> 	<p>16x r1 15x12</p> 
<p>16x r16 Ø5x24</p> 	<p>14x s2</p> 	<p>25x l1</p> 	<p>1x z1</p> 



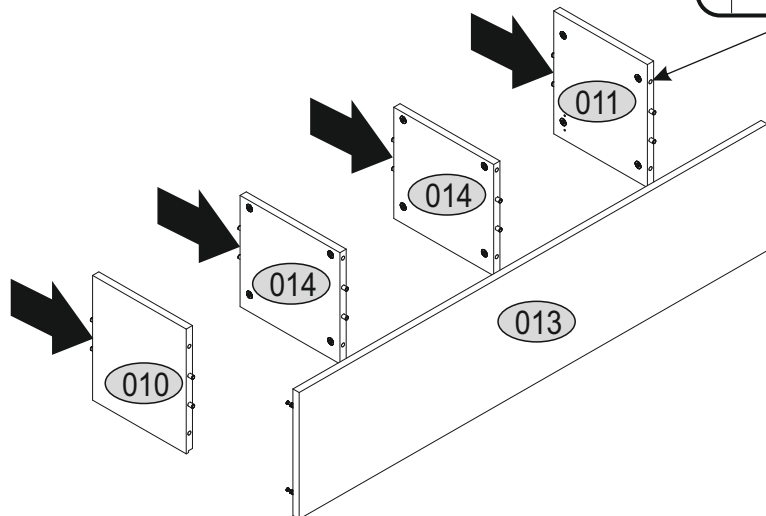
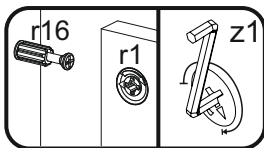
1



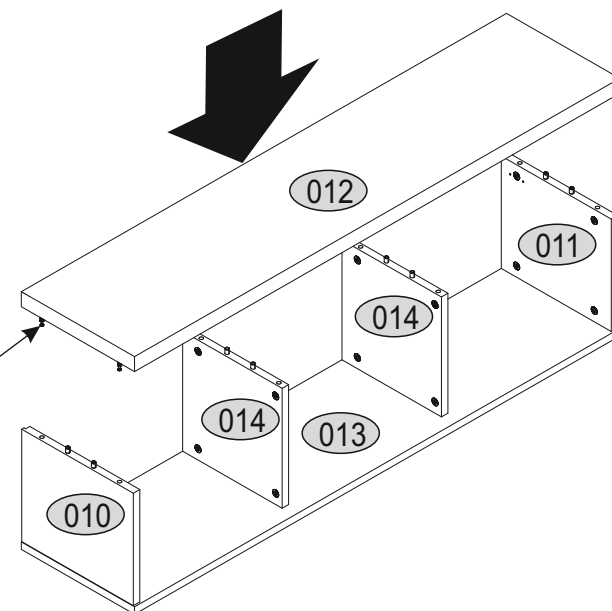
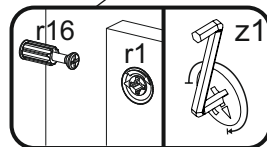
2



3

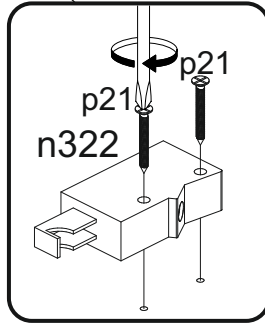
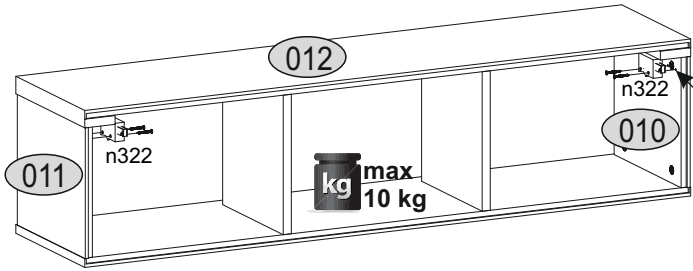


4



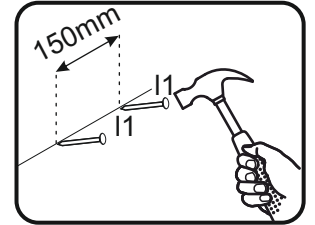
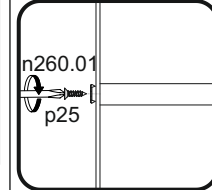
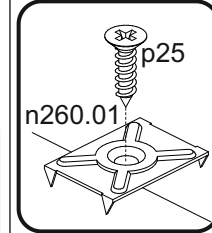
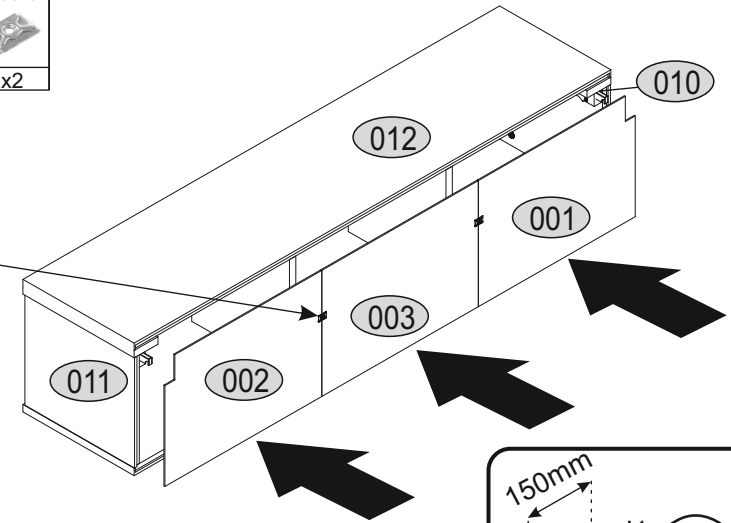
5

m322	p21
x2	x4



6

p25	l1	n260.01
x2	x25	x2



7

f3	p29	s2
x2	x2	x14

