

# КОЕН

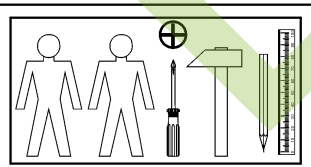
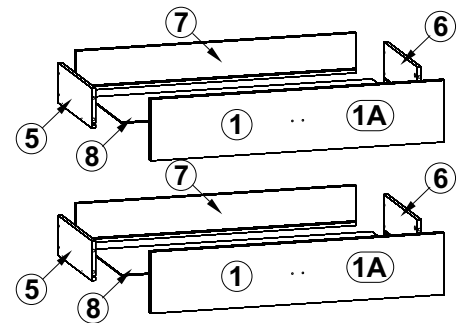
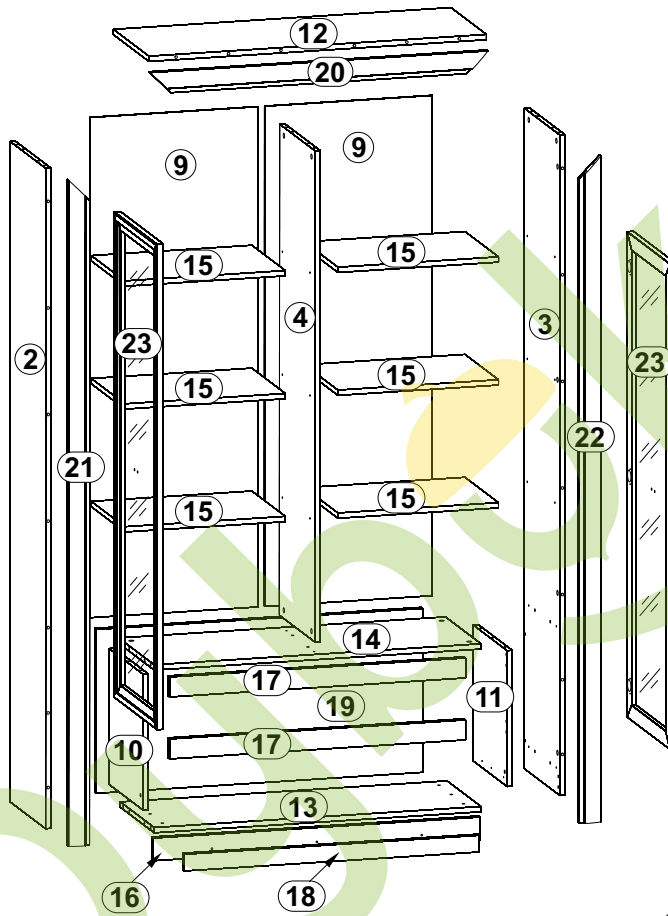
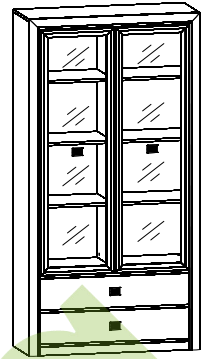
Вітрина / Витрина **REG2W2S**

A	B	C	D	
1	S136-002	896	185	4/5
1A	S136-002A	896	185	4/5
2	S136-174	1983	371	1/5
3	S136-175	1983	371	1/5
4	S136-178	1475	371	1/5
5	S136-511	350	120	1/5
6	S136-512	350	120	1/5
7	S136-5556	854	120	2/5
8	S136-911	865	348	1/5
9	S136-927	1502	511	1/5
10	S136-176	408	354	2/5
11	S136-177	408	354	2/5

→ Фасад ДСП  
→ Фасад МДФ

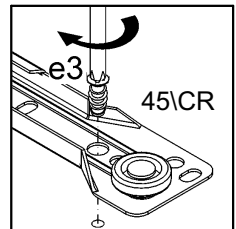
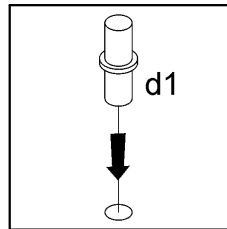
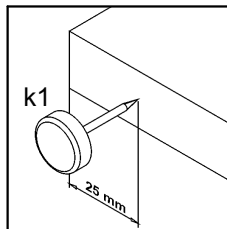
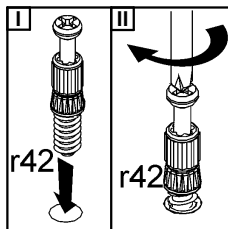
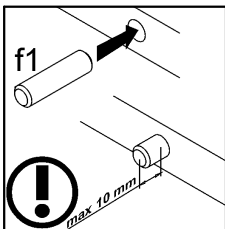
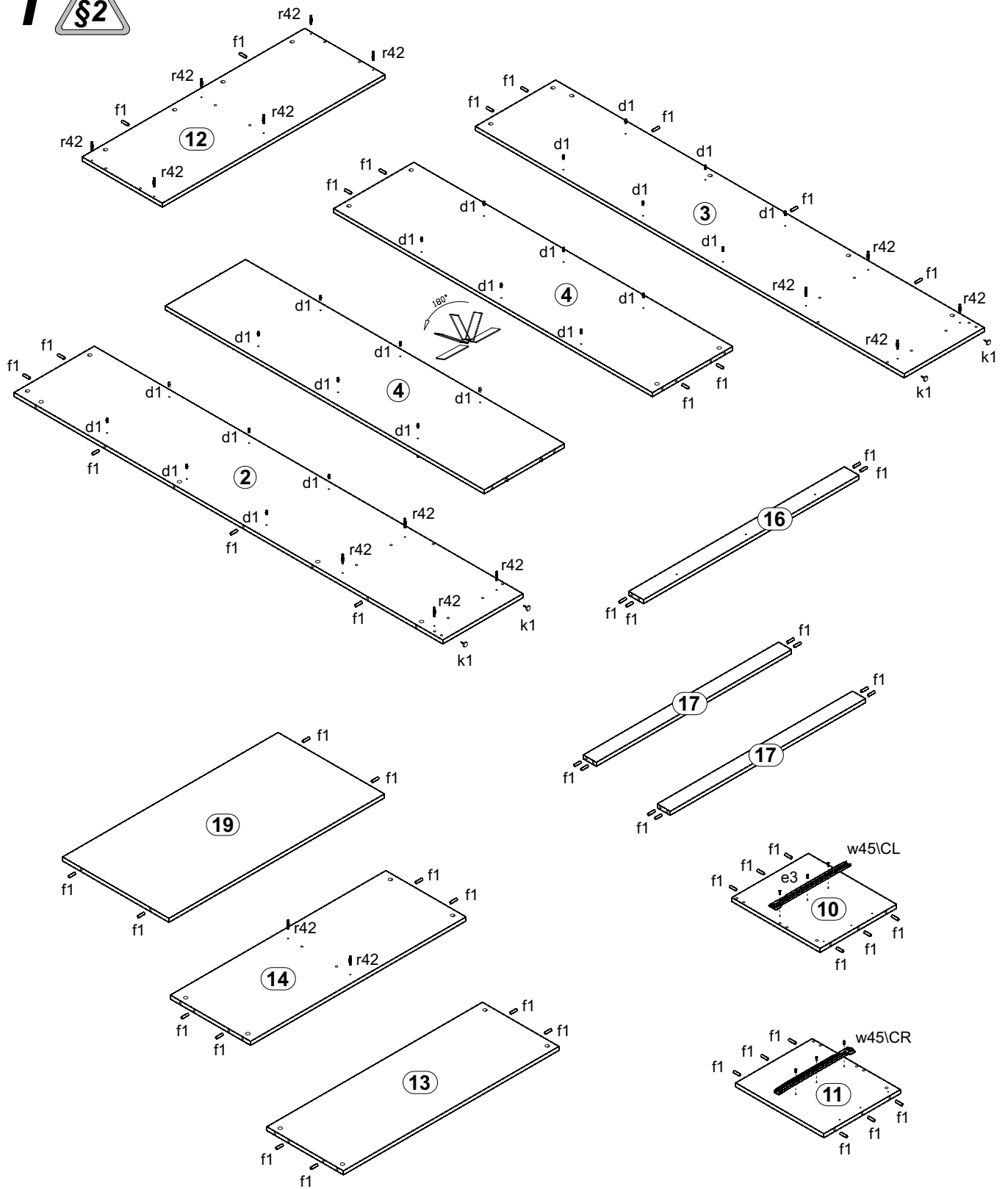


A	B	C	D	
12	S136-210	1030	371	2/5
13	S136-337	997	354	2/5
14	S136-338	997	371	2/5
15	S136-339	490	350	2/5
16	S136-401	997	68	2/5
17	S136-402	903	60	2/5
18	S136-403	901	50	2/5
19	S136-5569	997	492	2/5
20	S136-573	1031	65	3/5
21	S136-571	2000	65	3/5
22	S136-572	2000	65	3/5
23	S136-007	1458	446	5/5

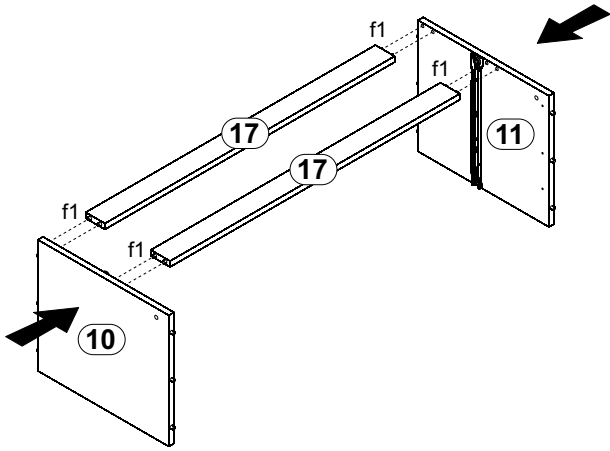


6x  a99	6x  b43	4x  c317	24x  d1 φ5x17 mm	12x  e2 φ6,3x13 mm	12x  e3 φ6x13 mm	8x  e32 φ5x50 mm	54x  f1 φ8x30 mm	4x  j3 M4x12 mm	
4x  j30 M4x22 mm	6x  k1	96x  l1	1x  n26\1	4x  o26 φ4,5/φ8x0,5mm	4x  o27 φ6,5/φ10x5,2mm	4x  p25 φ3,5x16 mm	1x  p38 φ3,5x16 mm	12x  p51 φ3,5x15 mm	
8x  p54 φ3x12 mm	3x  p94 φ4x28 mm	32x  r1 φ15x12mm #16	2x  r10	8x  r15 φ12x10,5mm #12	36x  r42 20/11	12x  s2 φ16	2x  t19 333 mm	2x  w45\CL 350 mm	
2x  w45\CR 350 mm	2x  w45\DL 350 mm	2x  w45\DR 350 mm							

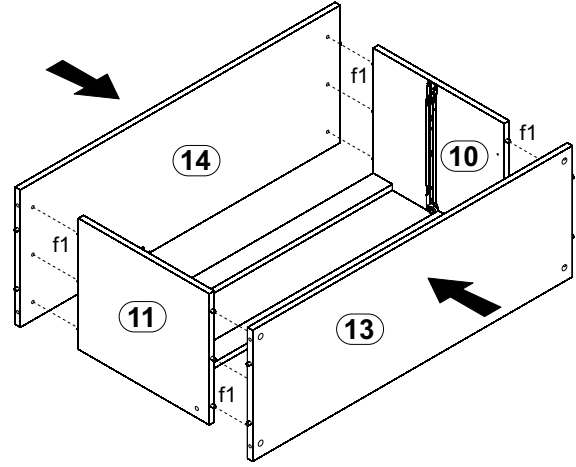
# 1



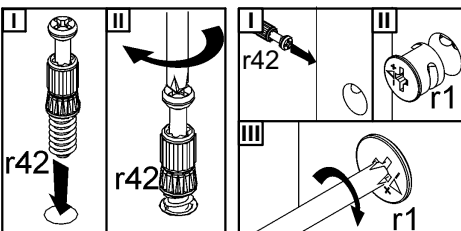
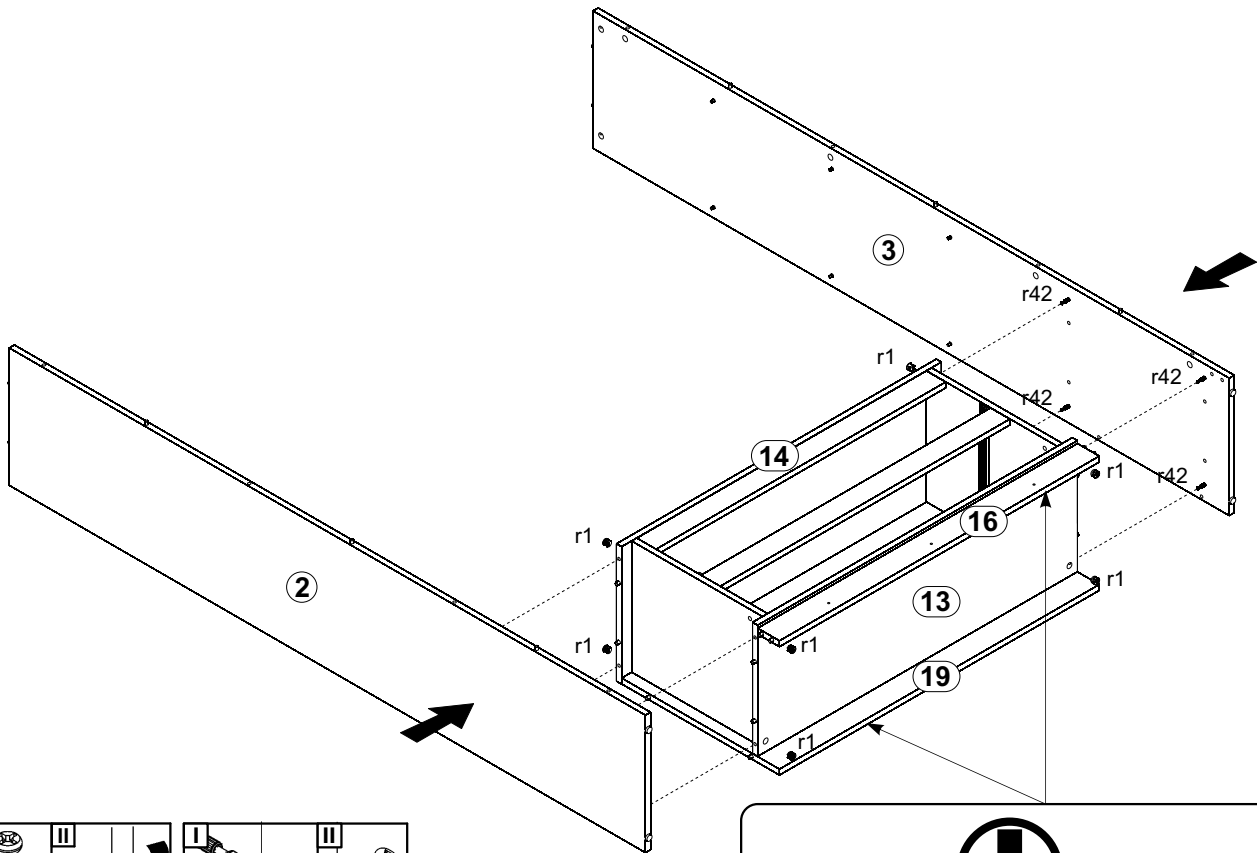
# 2



# 3



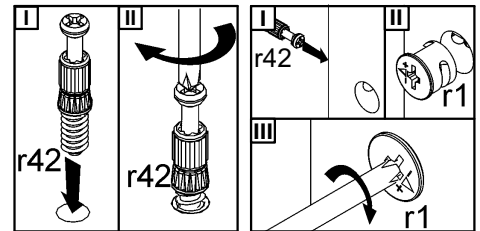
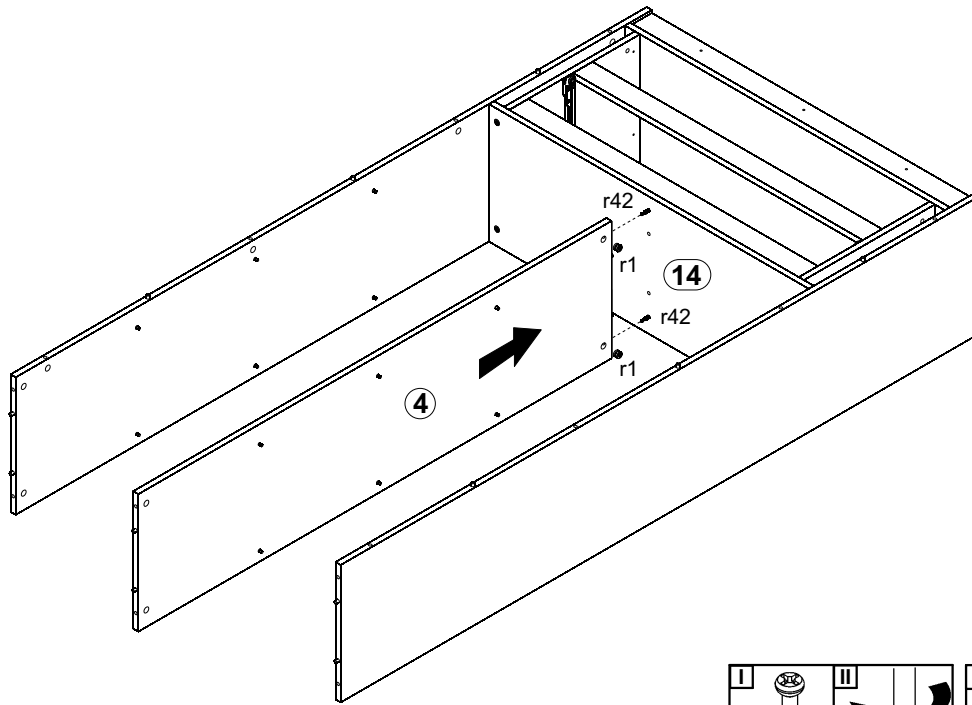
# 4



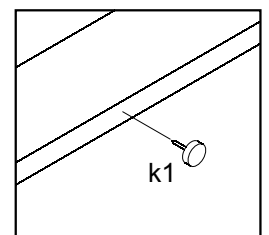
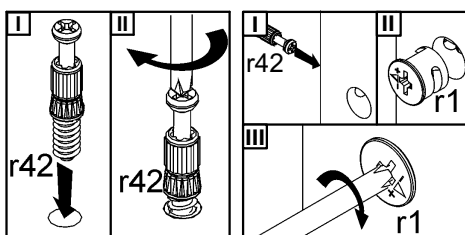
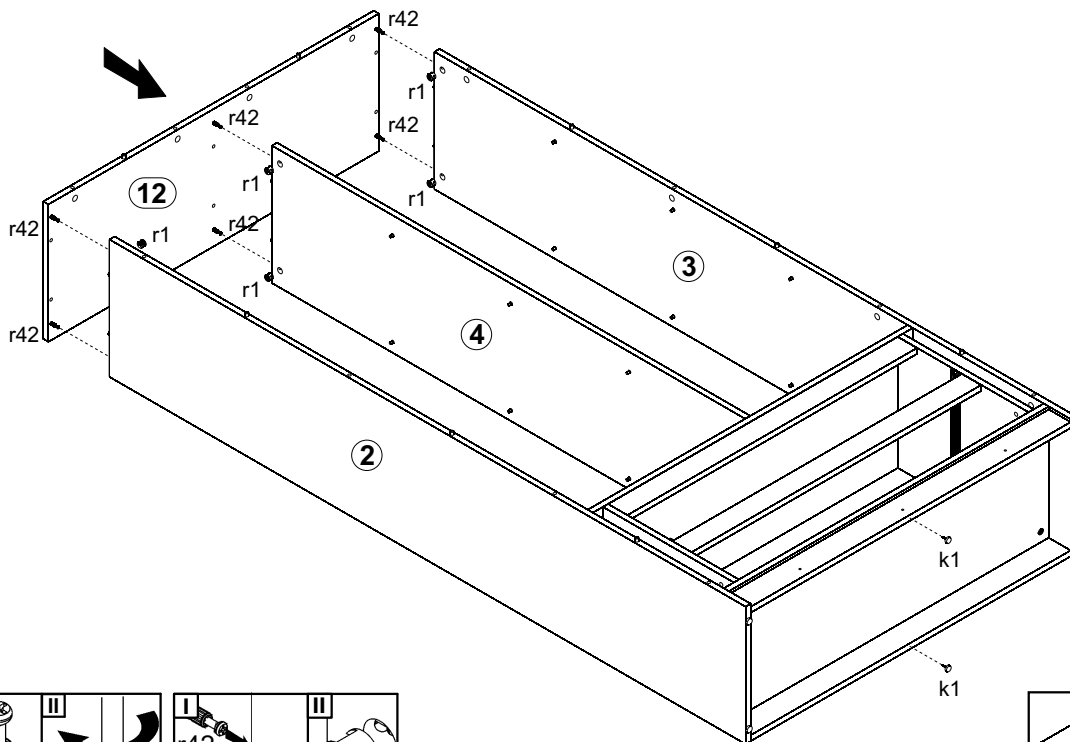


**Поверхня обклеєна!  
Поверхність оклеєна!**

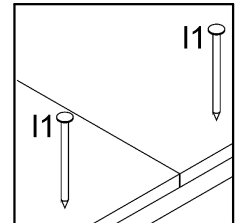
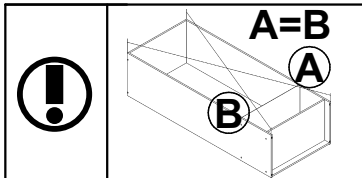
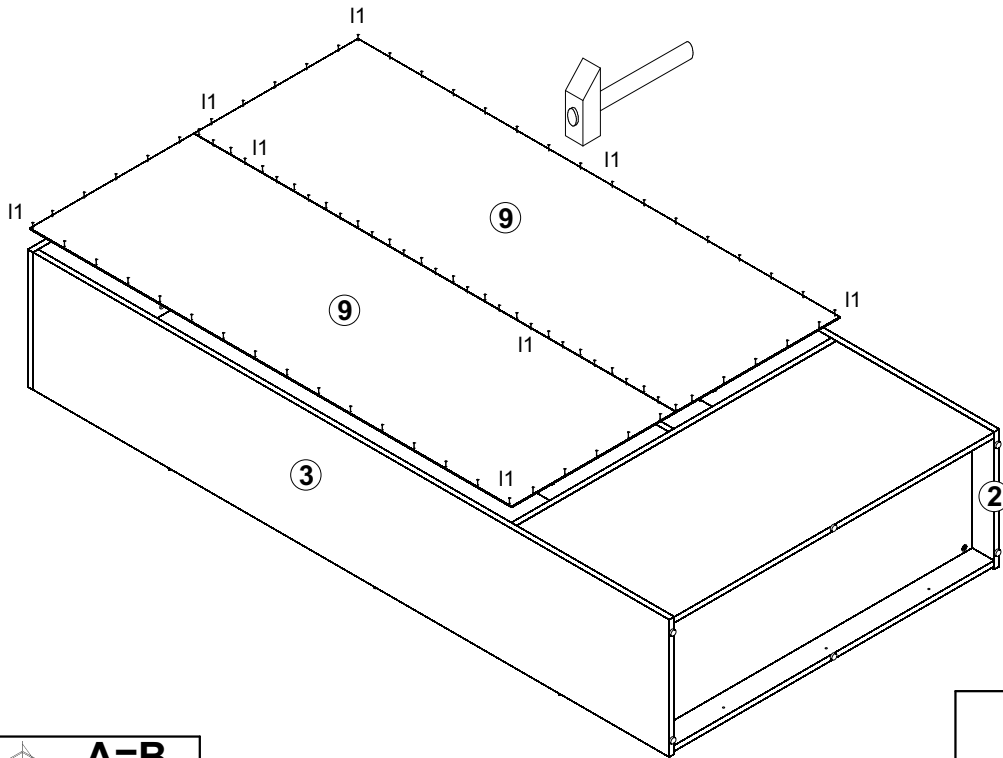
# 5



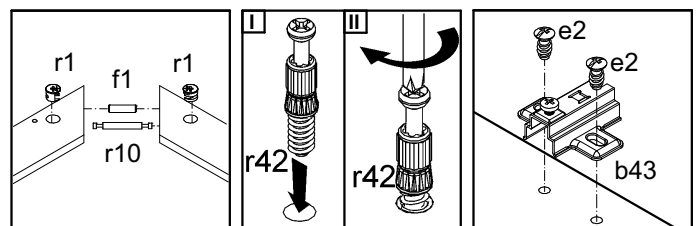
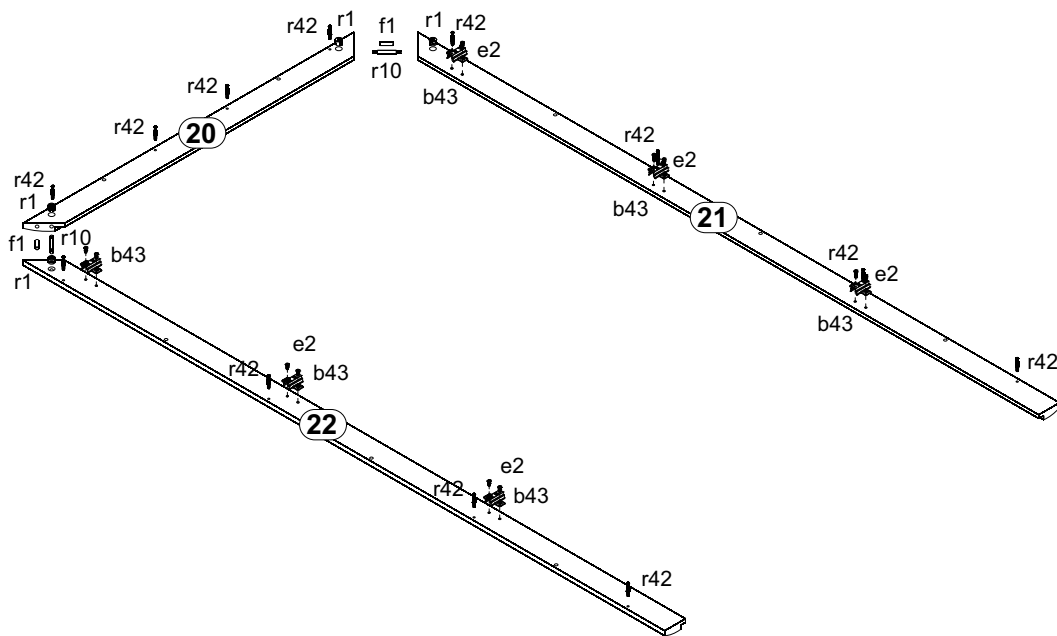
# 6



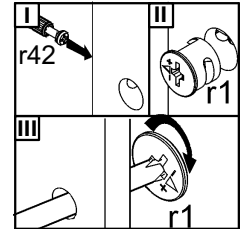
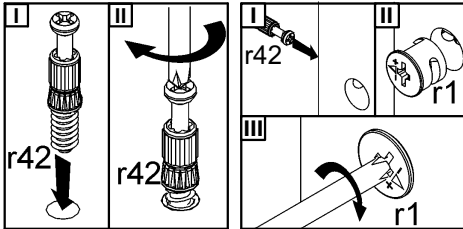
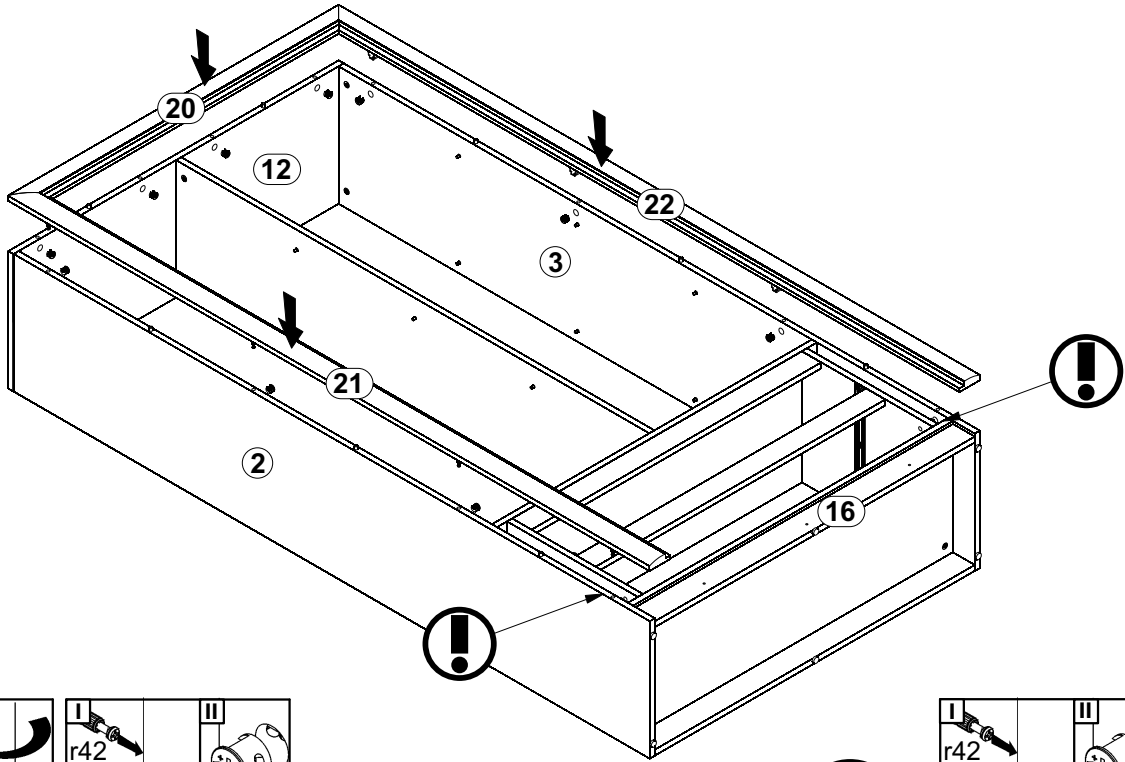
# 7



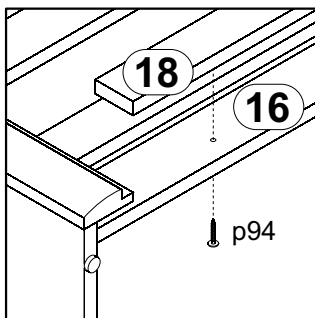
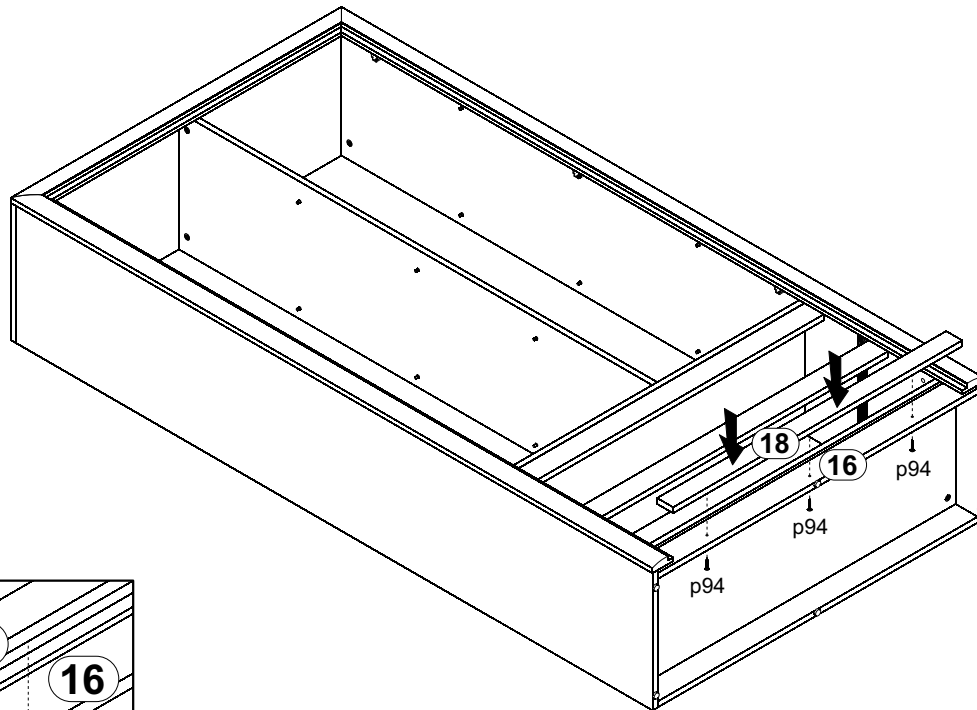
# 8



# 9

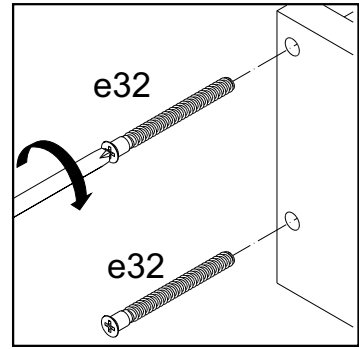
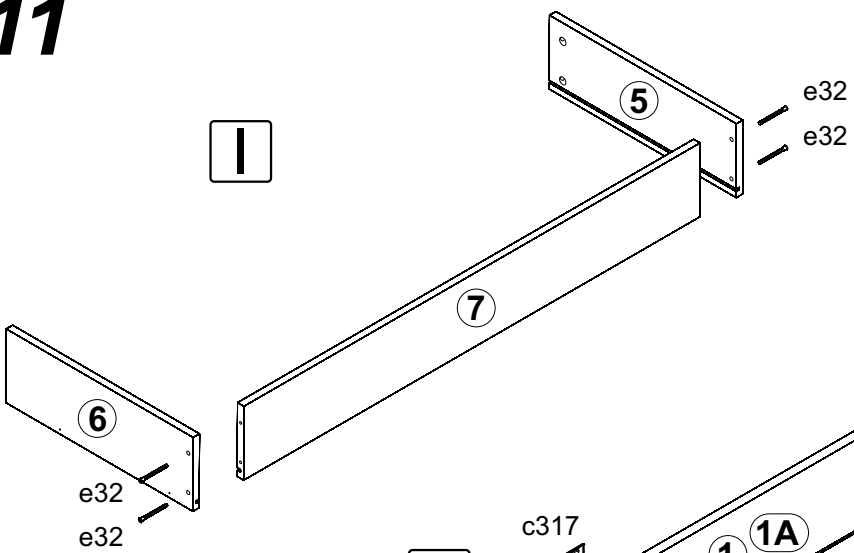


# 10

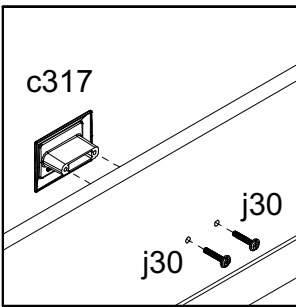
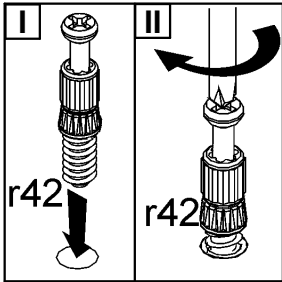
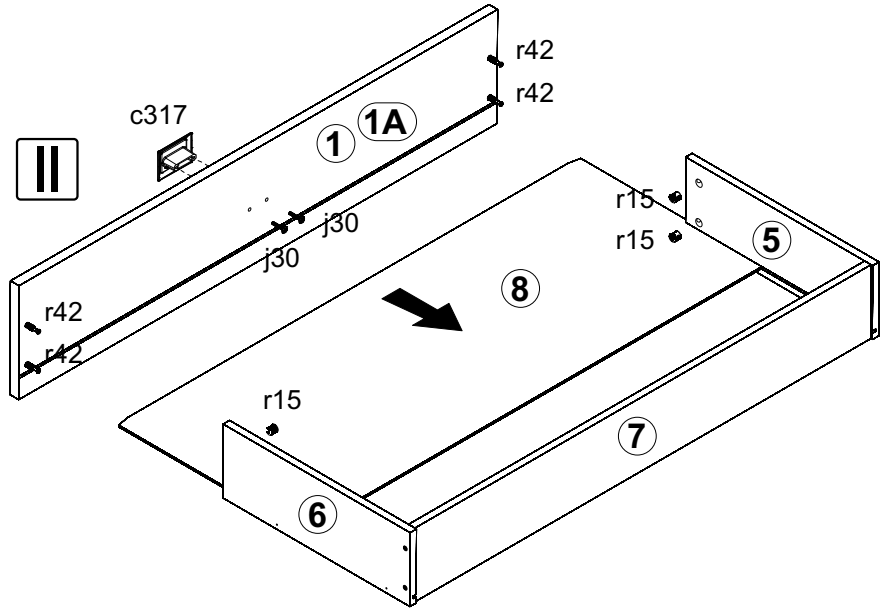


# 11

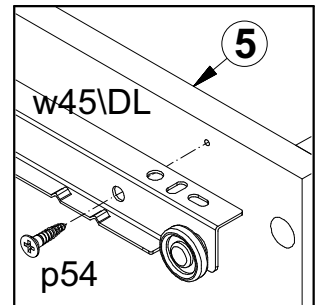
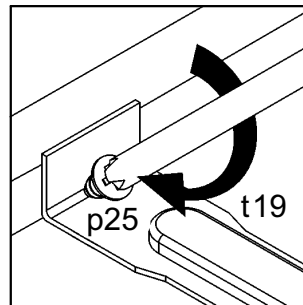
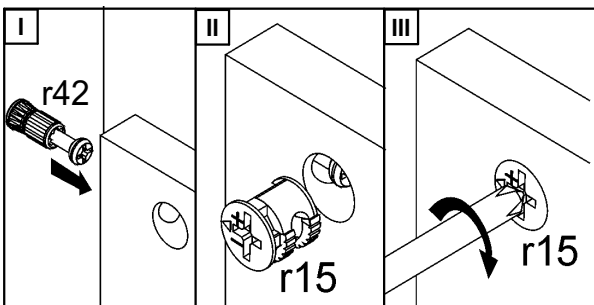
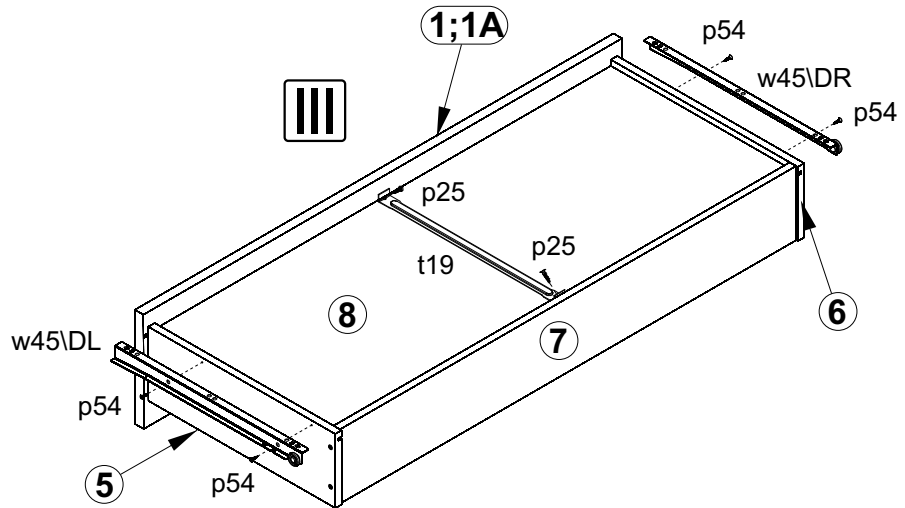
I



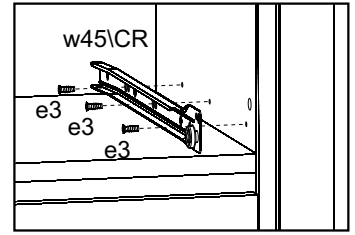
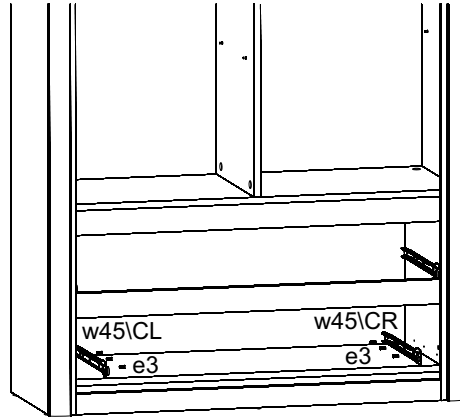
II



III



# 12



# 13

