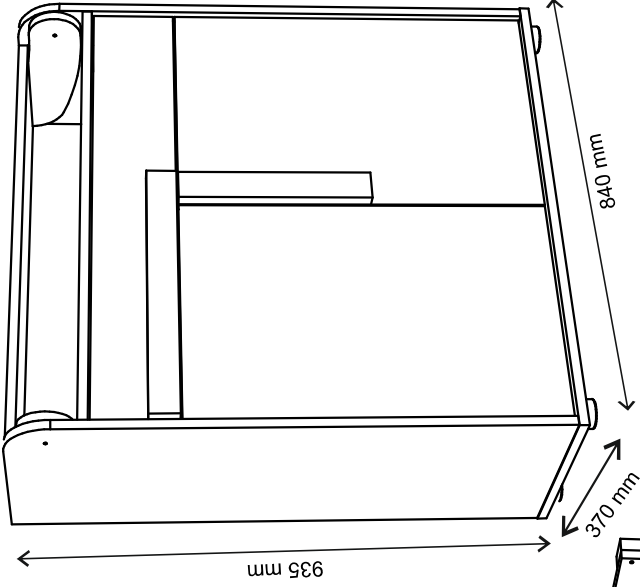
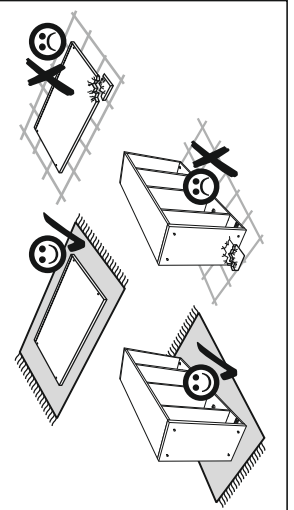
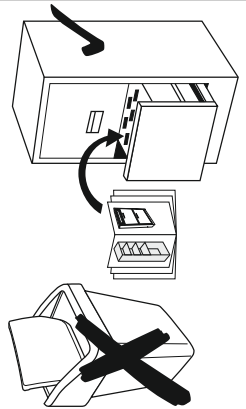
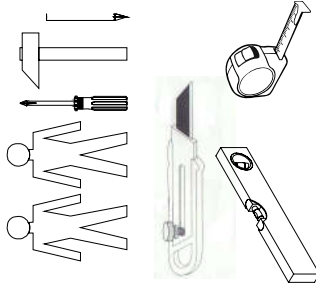
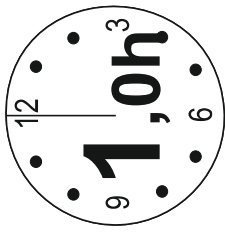
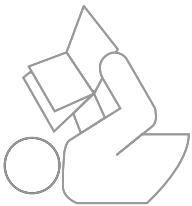
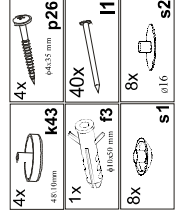


Installation manual

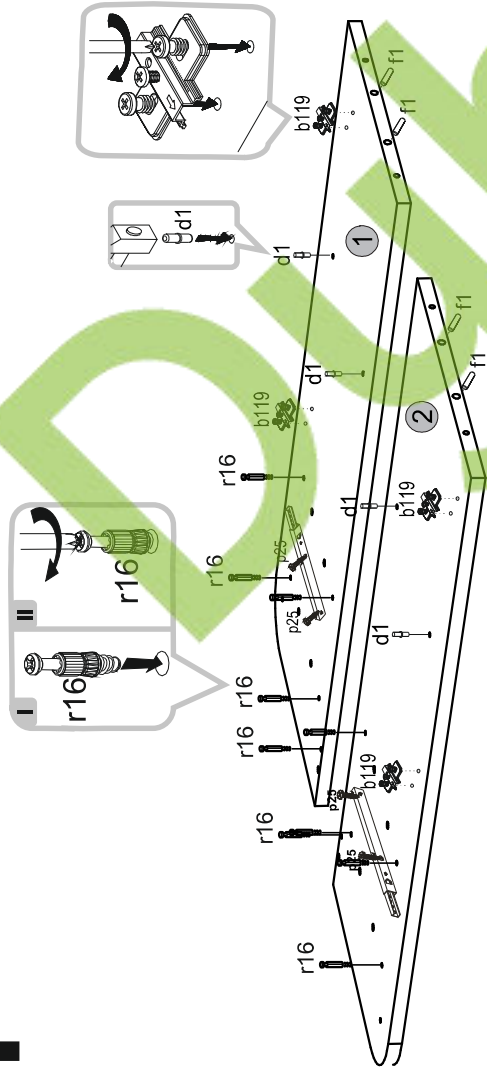
ALEX: Chest 2D1S



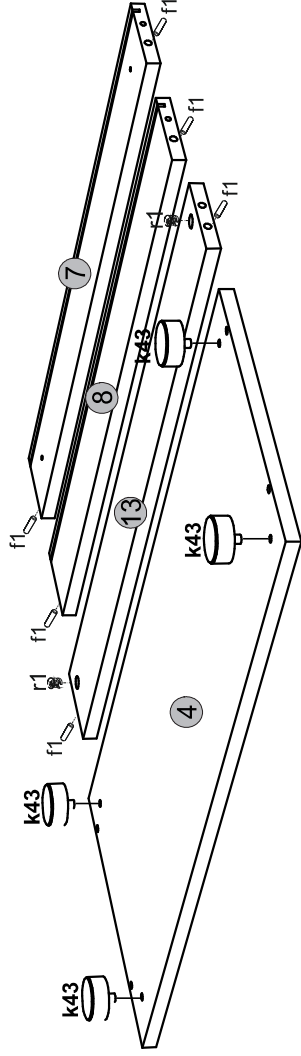
| Element symbol | Dimensions | | Code | Package | | |
|----------------|------------|-----|------|---------|-------|-----|
| 1 | 900 | 354 | 16 | 1 | A-127 | 1/1 |
| 2 | 900 | 354 | 16 | 1 | A-128 | 1/1 |
| 3 | 806 | 353 | 16 | 1 | A-312 | 1/1 |
| 4 | 840 | 355 | 16 | 1 | A-202 | 1/1 |
| 5 | 804 | 257 | 16 | 1 | A-313 | 1/1 |
| 6 | 96 | 321 | 16 | 2 | A-405 | 1/1 |
| 7 | 749 | 100 | 16 | 1 | A-501 | 1/1 |
| 8 | 749 | 100 | 16 | 1 | A-502 | 1/1 |
| 9 | 320 | 100 | 16 | 1 | A-503 | 1/1 |
| 10 | 320 | 100 | 16 | 1 | A-504 | 1/1 |
| 11 | 806 | 329 | 16 | 1 | A-314 | 1/1 |
| 12 | 806 | 329 | 16 | 1 | A-315 | 1/1 |
| 13 | 100 | 806 | 16 | 1 | A-406 | 1/1 |
| 14 | 140 | 800 | 16 | 1 | A-001 | 1/1 |
| 15 | 619 | 399 | 16 | 1 | A-020 | 1/1 |
| 16 | 619 | 399 | 16 | 1 | A-021 | 1/1 |
| 17 | 796 | 415 | 3 | 2 | A-619 | 1/1 |
| 18 | 763 | 302 | 3 | 1 | A-602 | 1/1 |



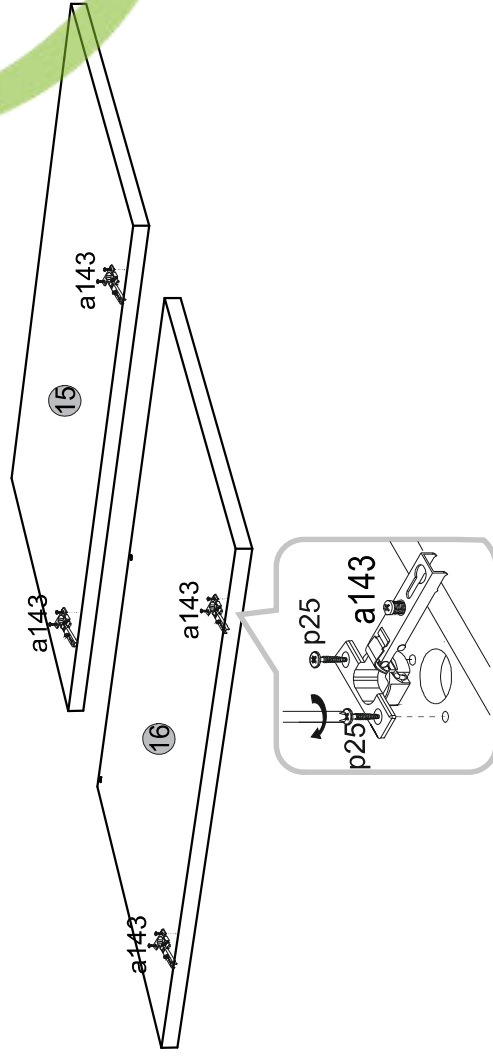
1



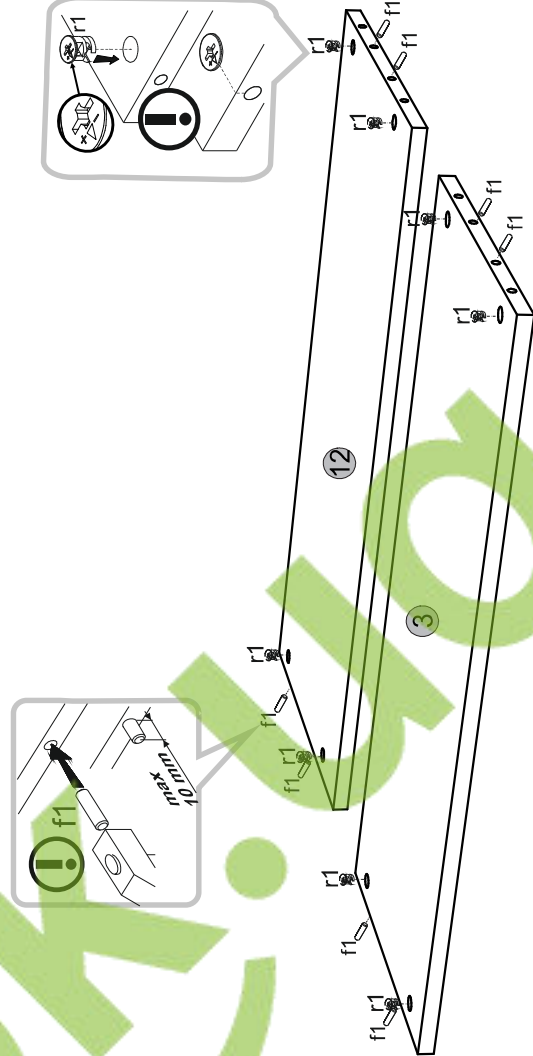
3



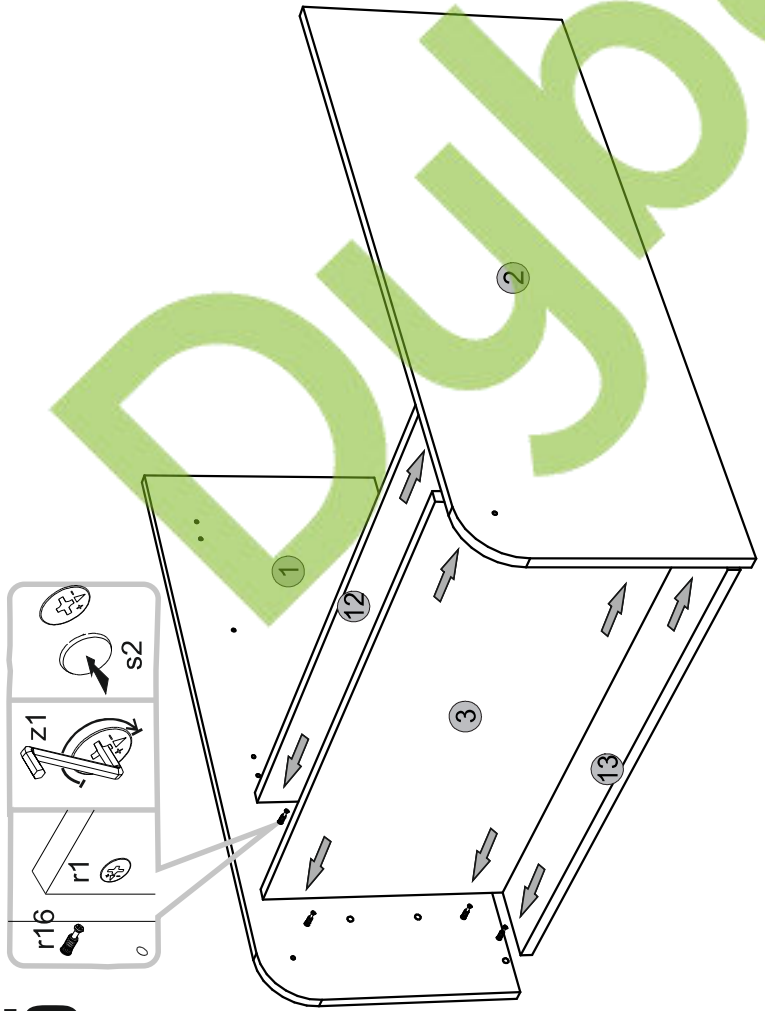
2



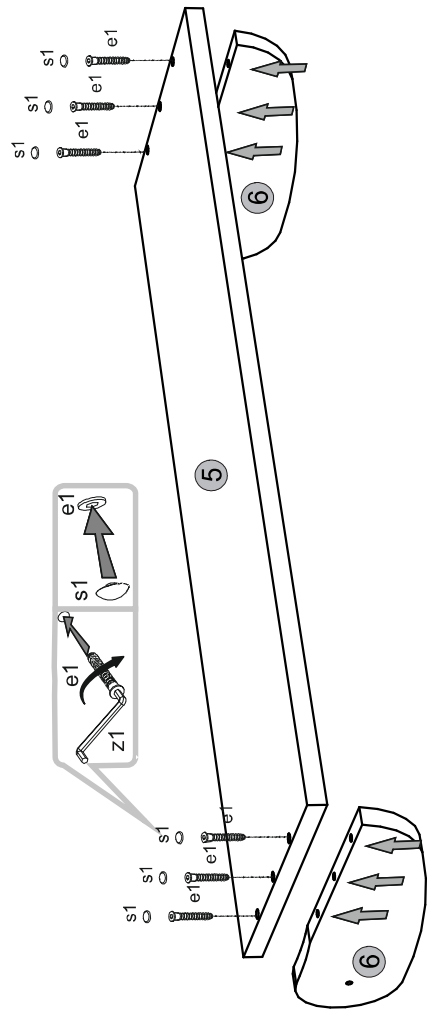
4



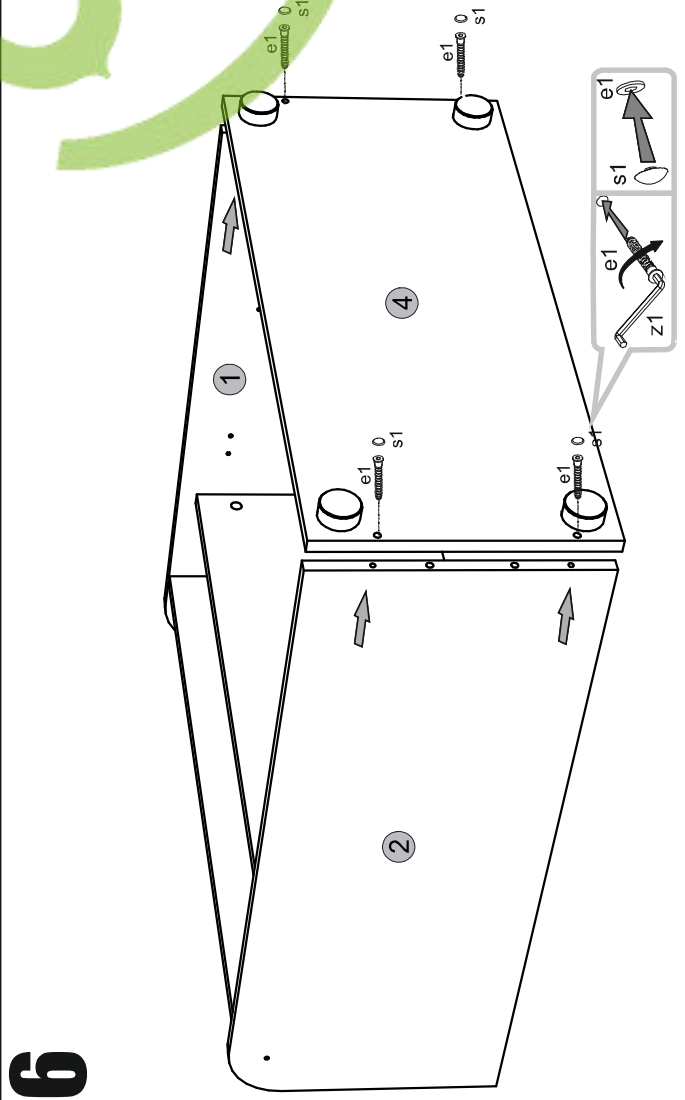
5



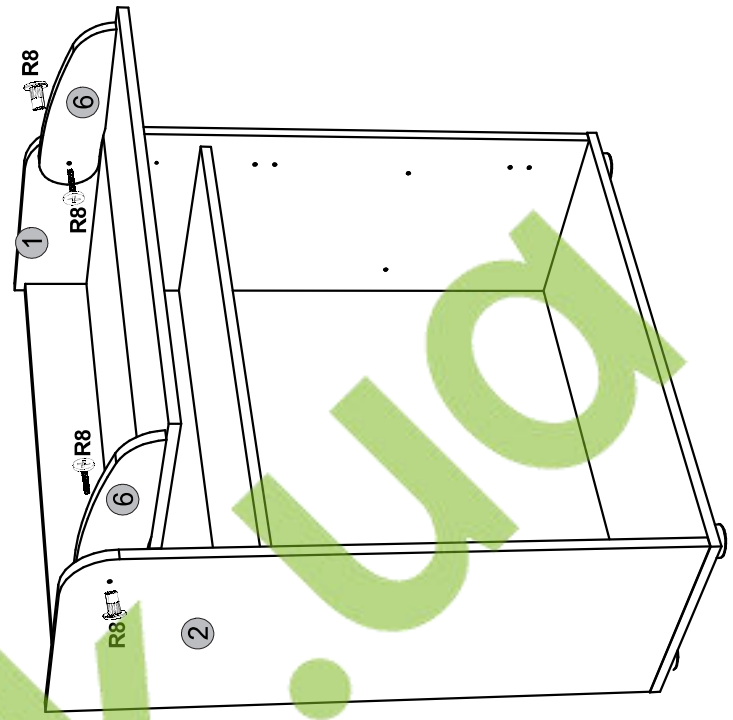
7



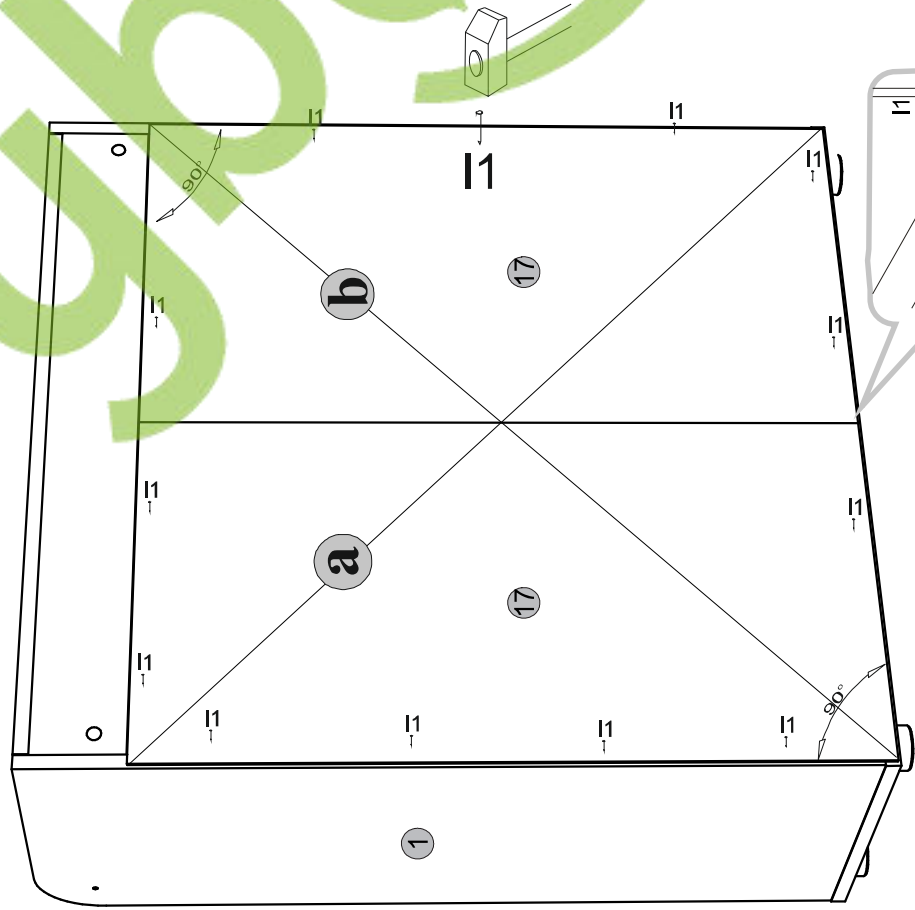
6



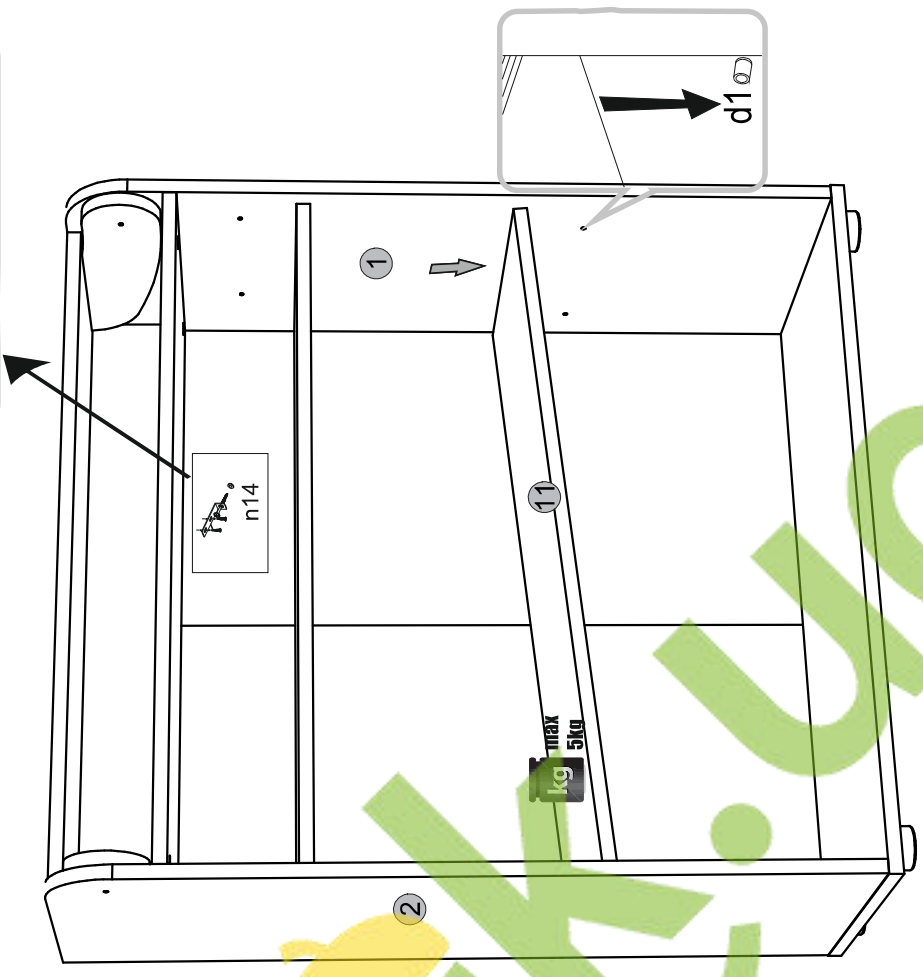
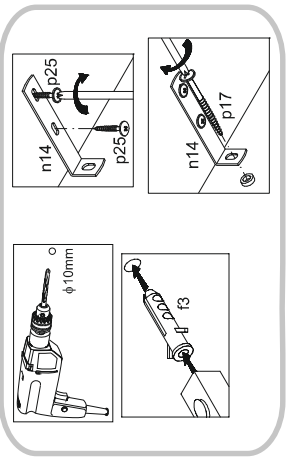
8



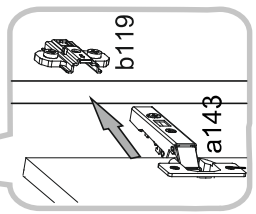
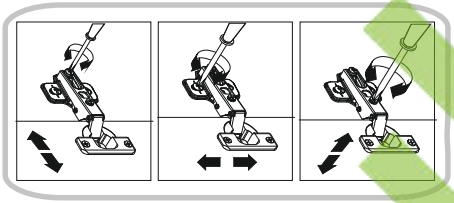
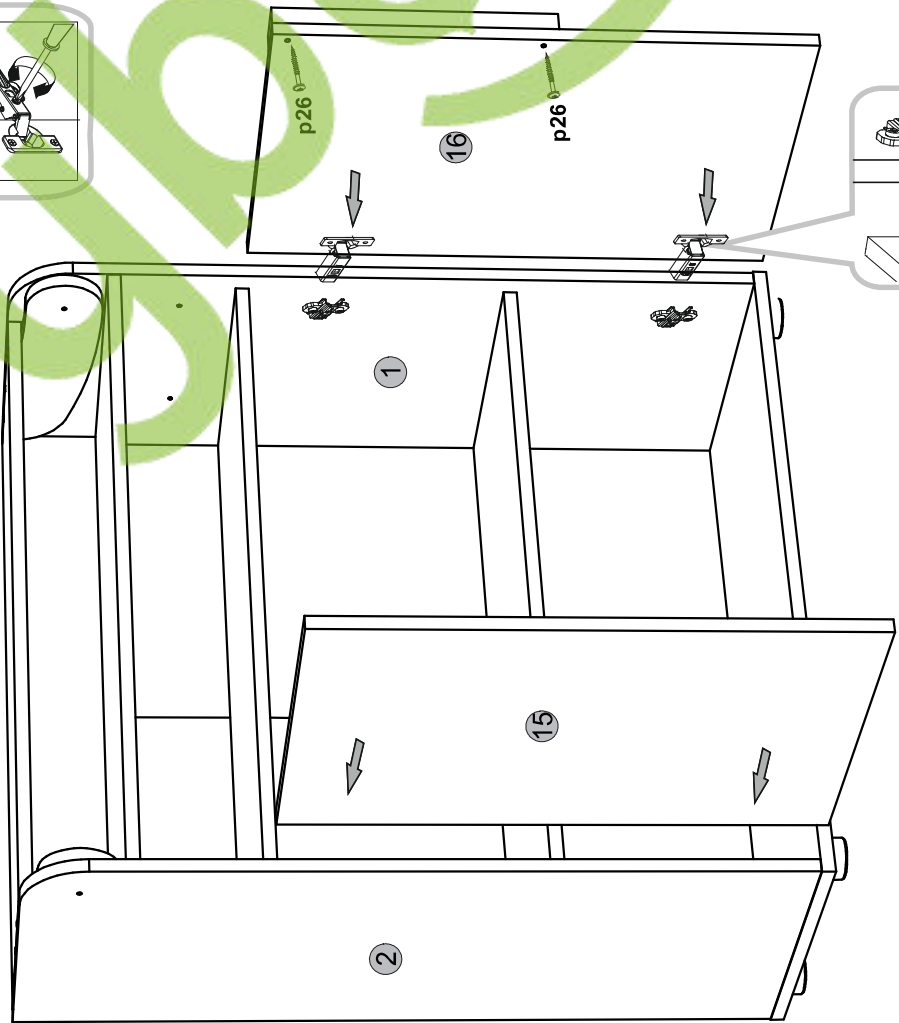
! a=b



! kg max.



11



12

