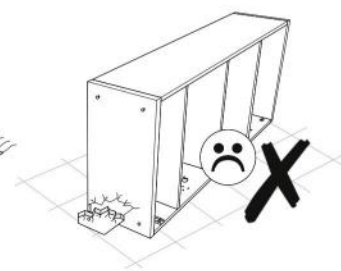
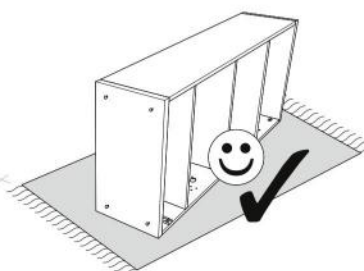
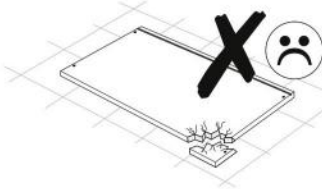
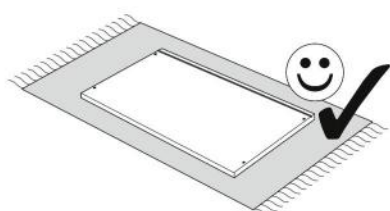
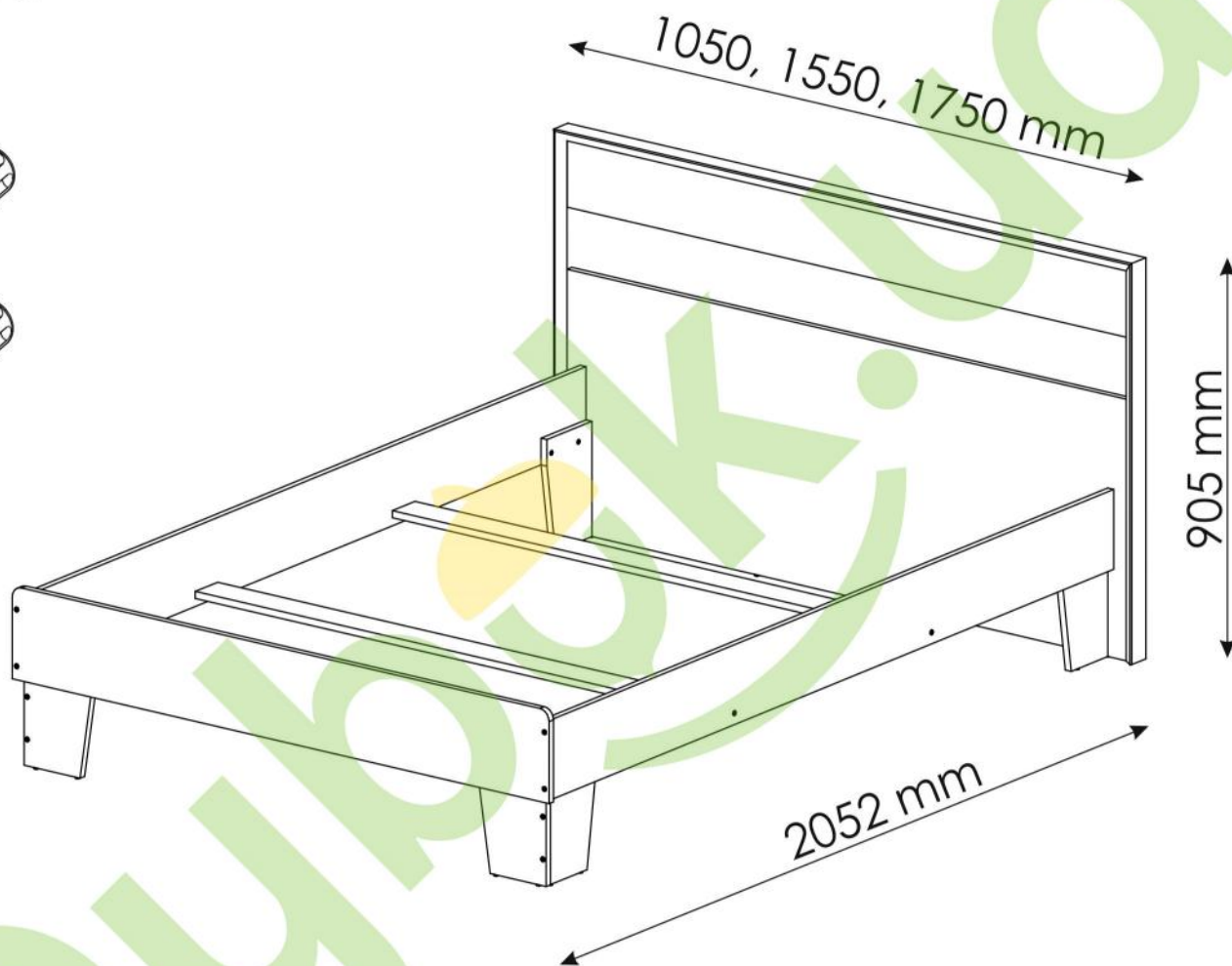
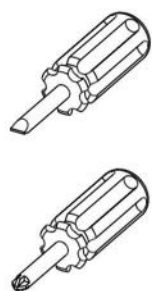
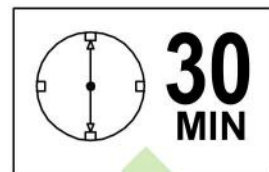
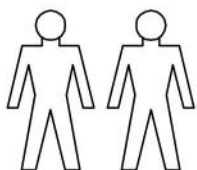







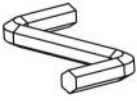

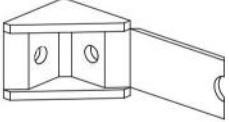
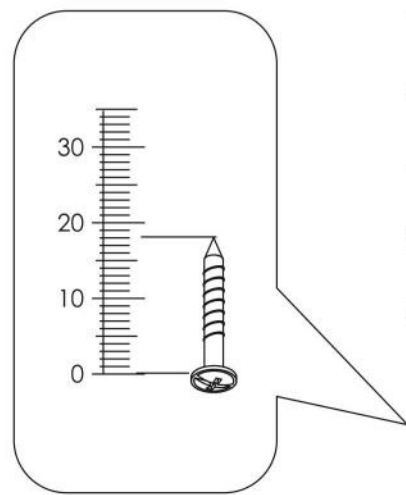
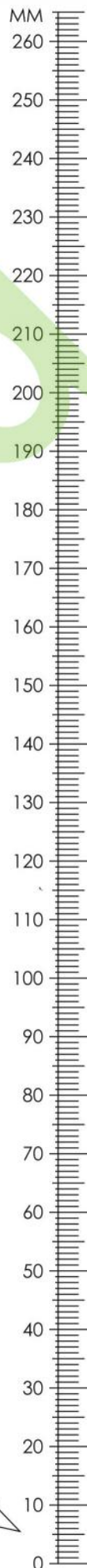


# SCARLET Bed 90, 140, 160




# SCARLET Bed 90, 140, 160

|  |   |  |
|--|---|--|
| <b>B0</b><br><br><b>x4</b><br><b>x8</b>                 | <b>B1</b><br>f 7 x 50 mm<br><br><b>x18</b>                 | <b>C2</b><br><br><b>x13</b><br><b>(90) x12</b> |
| <b>C7</b><br><br>16 mm<br><b>x13</b><br><b>(90) x12</b> | <b>D1</b><br>3 x 25 mm<br><br><b>x12</b><br><b>(90) x8</b> | <b>D10</b><br>4 x 16 mm<br><br><b>x4</b>      |
| <b>D16</b><br>4,2 x 28 mm<br><br><b>x12</b>             | <b>K</b><br>4mm<br><br><b>x1</b>                           | <b>T3</b><br><br><b>x14</b>                   |
| <br><b>x2</b>   |   |  |




# SCARLET Bed 90, 140, 160

## 90

|  |      |     |       |     |
|--|------|-----|-------|-----|
| 1  | 1000 | 590 | 16 x1 | 1/2 |
| 2  | 1000 | 150 | 16 x1 | 1/2 |
| 3  | 900  | 80  | 16 x2 | 1/2 |
| 4  | 940  | 210 | 16 x1 | 1/2 |
| 5  | 260  | 180 | 16 x2 | 1/2 |
| 6  | 1013 | 200 | 16 x1 | 1/2 |
| 7  | 260  | 160 | 16 x2 | 1/2 |
| 8  | 260  | 160 | 16 x2 | 1/2 |
| 9  | 2000 | 180 | 16 x1 | 2/2 |
| 10   | 905  | 55  | 25 x1 | 2/2 |
| 11   | 905  | 55  | 25 x1 | 2/2 |
| 12   | 1050 | 55  | 25 x1 | 2/2 |
|  |      |     |       | 1/2 |

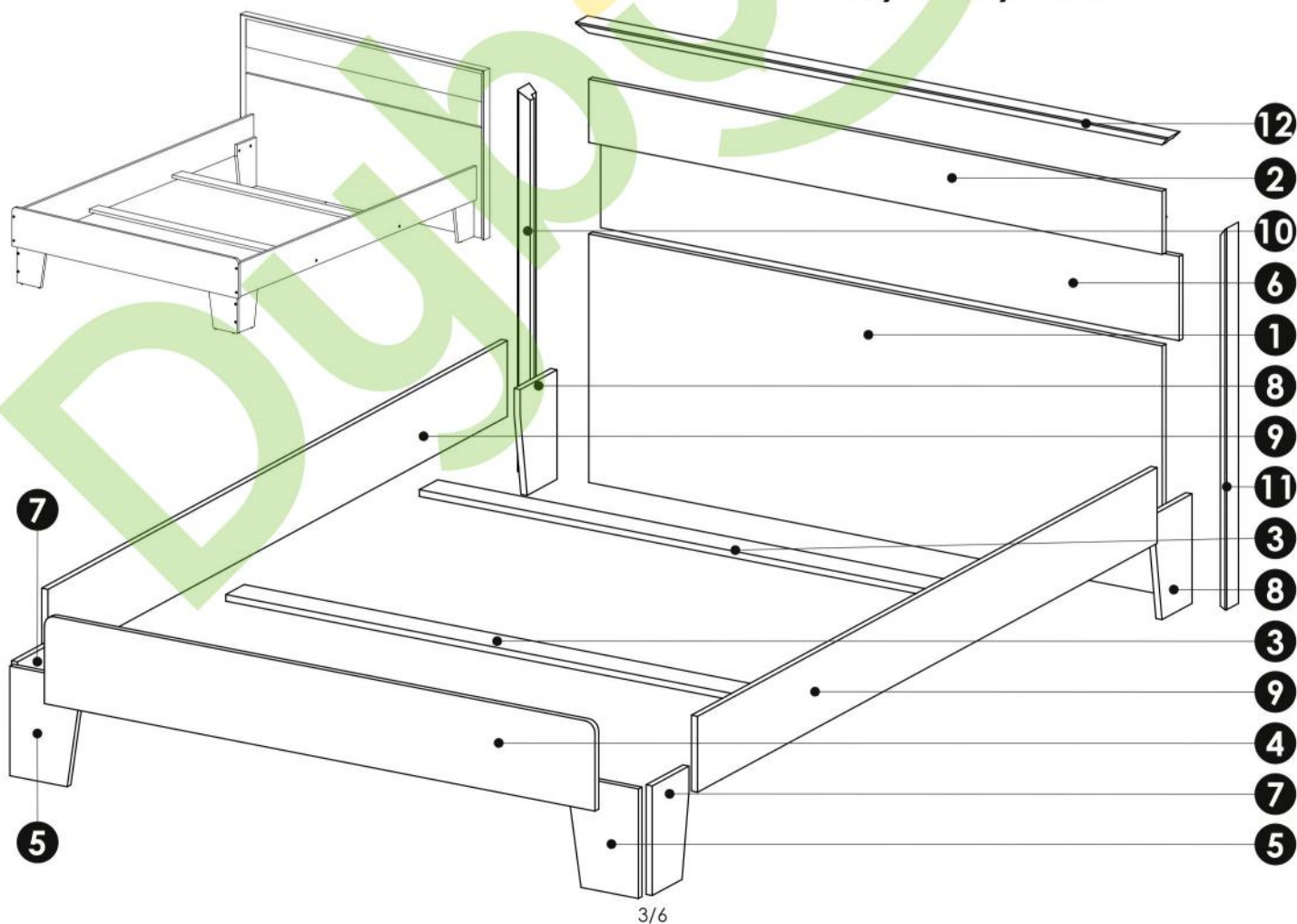
## 140

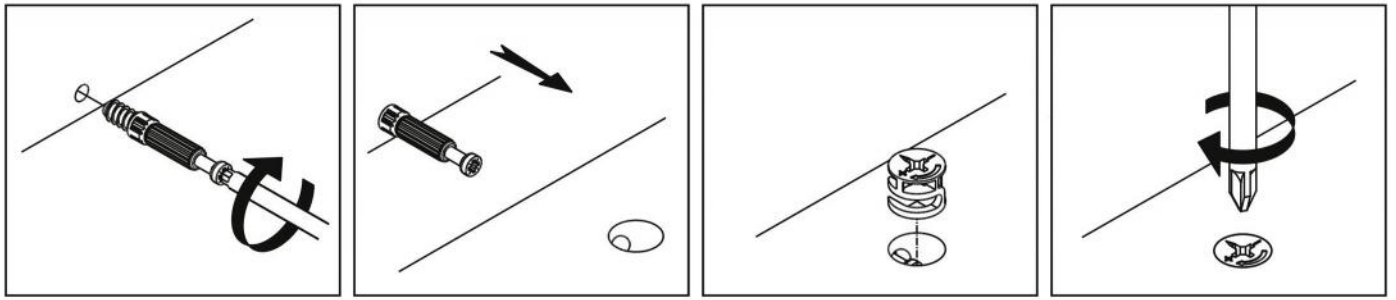
|  |      |     |       |     |
|--|------|-----|-------|-----|
| 1  | 1500 | 590 | 16 x1 | 1/2 |
| 2  | 1500 | 150 | 16 x1 | 1/2 |
| 3  | 1400 | 80  | 16 x2 | 1/2 |
| 4  | 1440 | 210 | 16 x1 | 1/2 |
| 5  | 260  | 180 | 16 x2 | 1/2 |
| 6  | 1513 | 200 | 16 x1 | 1/2 |
| 7  | 260  | 160 | 16 x2 | 1/2 |
| 8  | 260  | 160 | 16 x2 | 1/2 |
| 9  | 2000 | 180 | 16 x1 | 2/2 |
| 10   | 905  | 55  | 25 x1 | 2/2 |
| 11   | 905  | 55  | 25 x1 | 2/2 |
| 12   | 1050 | 55  | 25 x1 | 2/2 |
|  |      |     |       | 1/2 |

## 160

|  |      |     |       |     |
|--|------|-----|-------|-----|
| 1  | 1700 | 590 | 16 x1 | 1/2 |
| 2  | 1700 | 150 | 16 x1 | 1/2 |
| 3  | 1600 | 80  | 16 x2 | 1/2 |
| 4  | 1640 | 210 | 16 x1 | 1/2 |
| 5  | 260  | 180 | 16 x2 | 1/2 |
| 6  | 1713 | 200 | 16 x1 | 1/2 |
| 7  | 260  | 160 | 16 x2 | 1/2 |
| 8  | 260  | 160 | 16 x2 | 1/2 |
| 9  | 2000 | 180 | 16 x1 | 2/2 |
| 10   | 905  | 55  | 25 x1 | 2/2 |
| 11   | 905  | 55  | 25 x1 | 2/2 |
| 12   | 1050 | 55  | 25 x1 | 2/2 |
|  |      |     |       | 1/2 |

## 90/140/160





1 ▶

