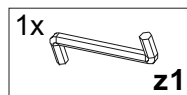
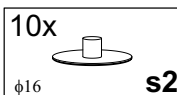
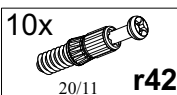
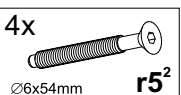
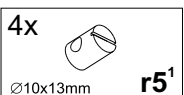
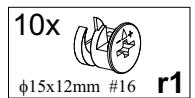
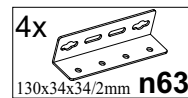
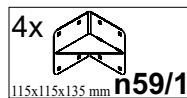
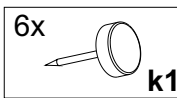
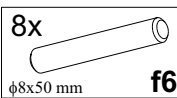
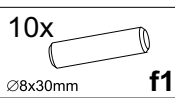
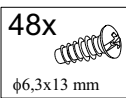
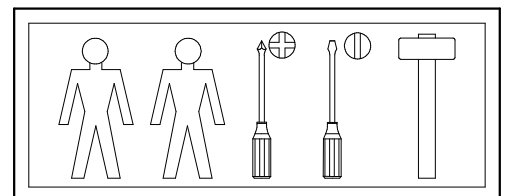
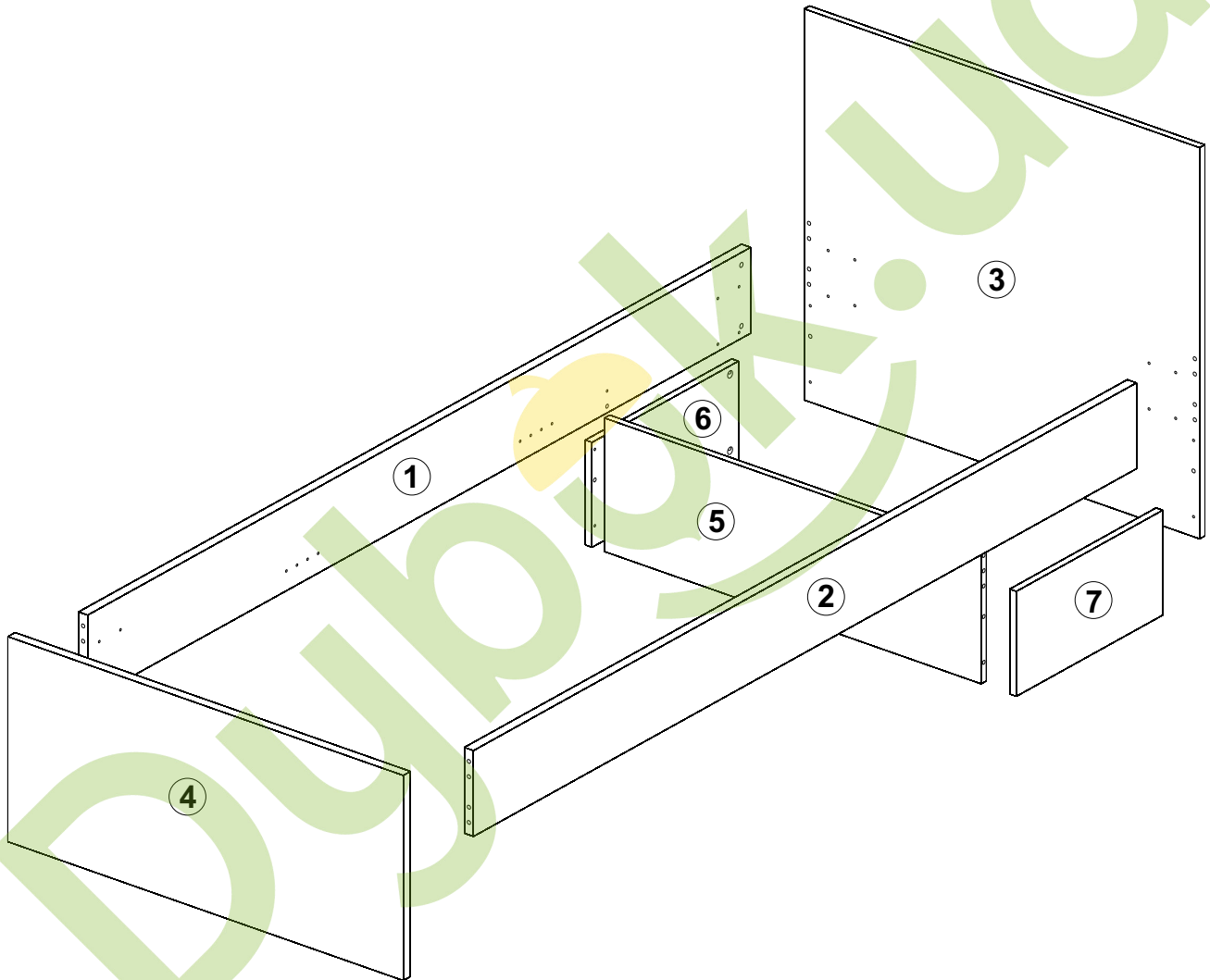
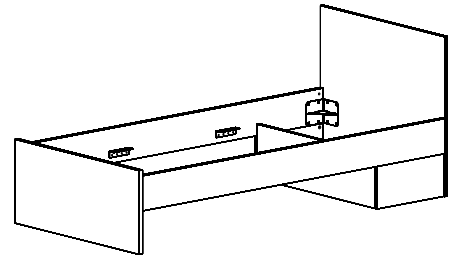
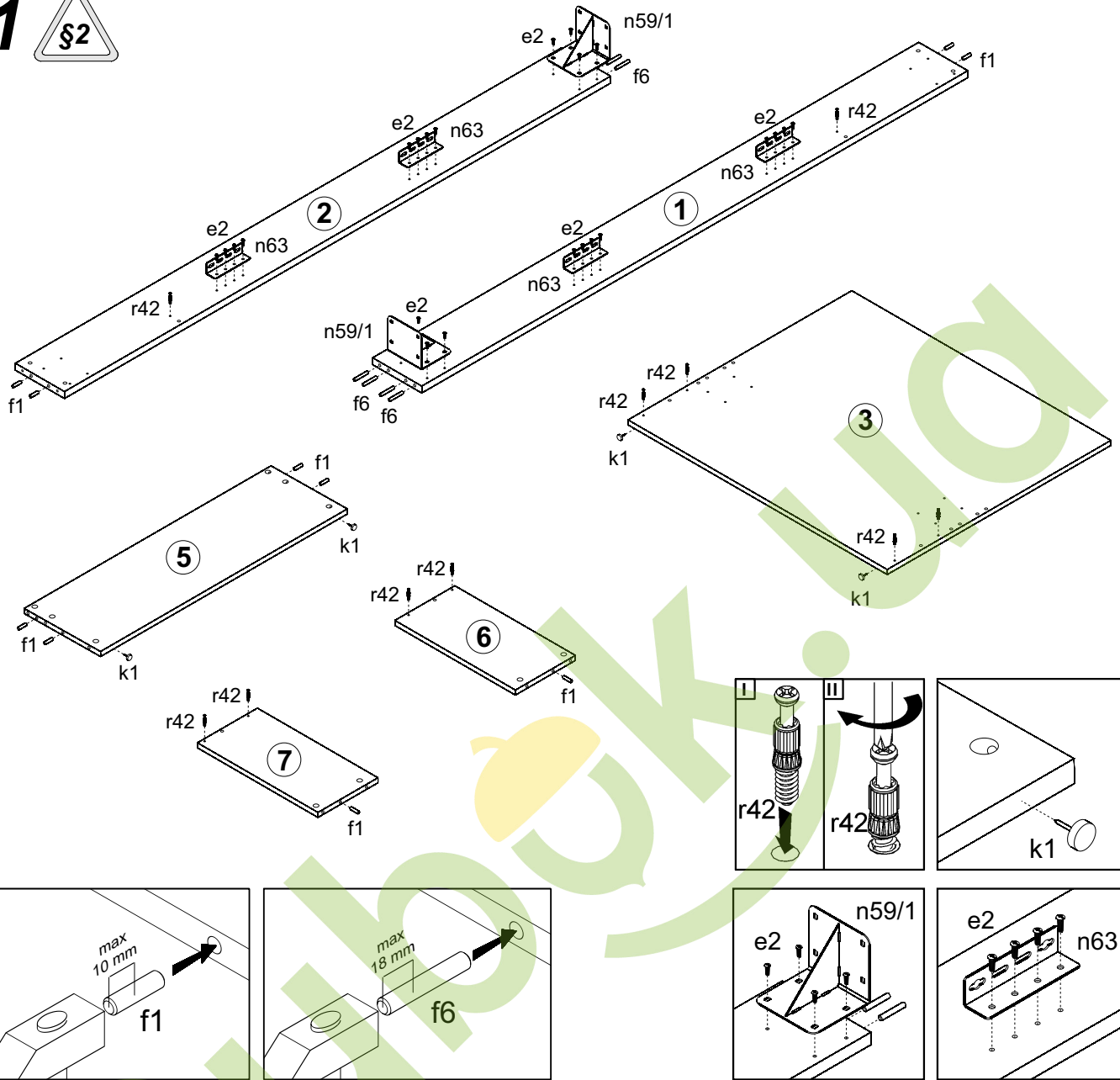


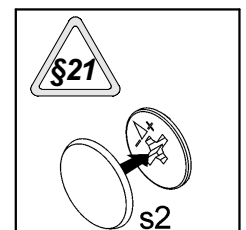
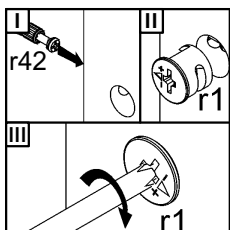
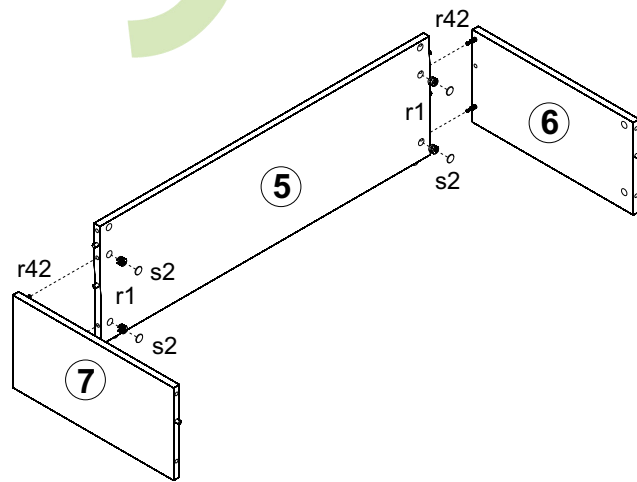
A	B	C		D
1	NI1-103	2002	180	1/4
2	NI1-104	2002	180	1/4
3	NI1-401	950	820	2/4
4	NI1-402	950	430	2/4
5	NI1-409	905	280	2/4
6	NI1-015	442	220	3/4
7	NI1-016	442	220	3/4



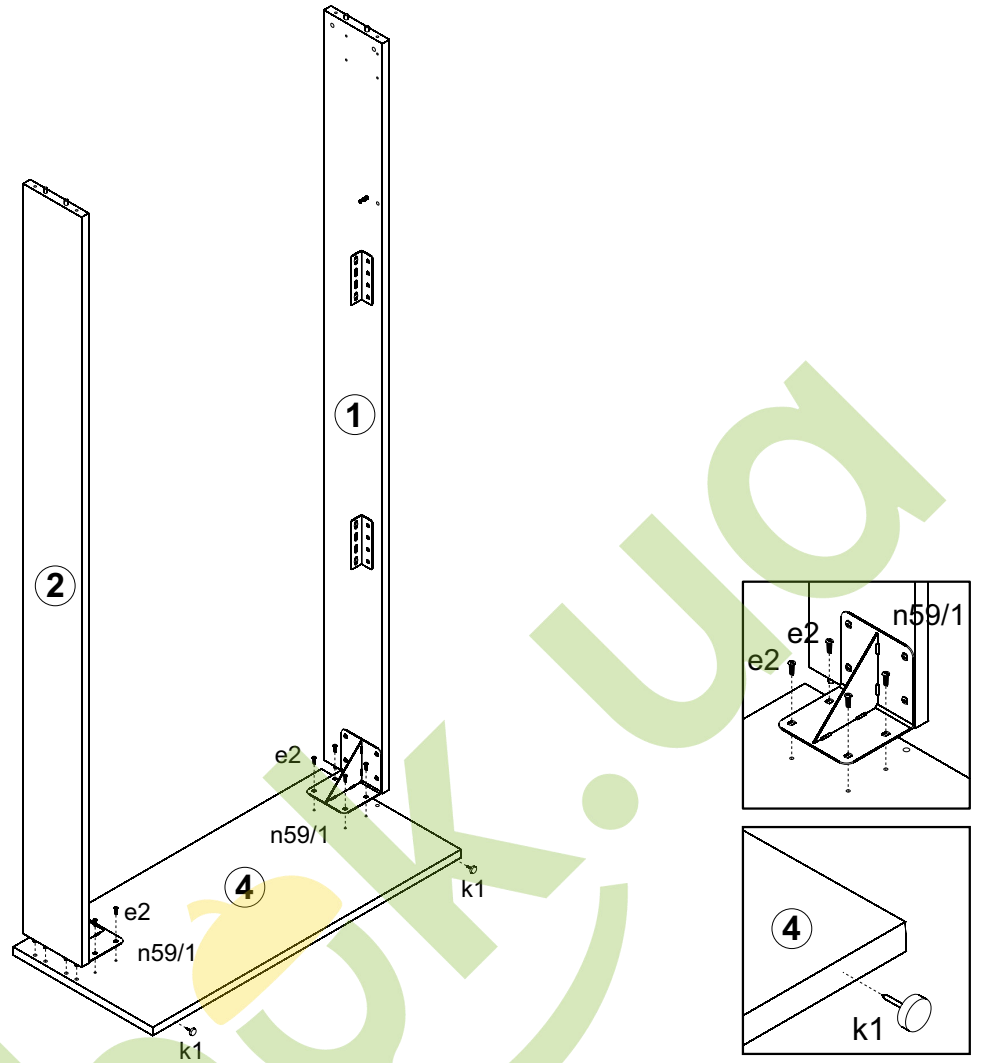
1



2



3



4

