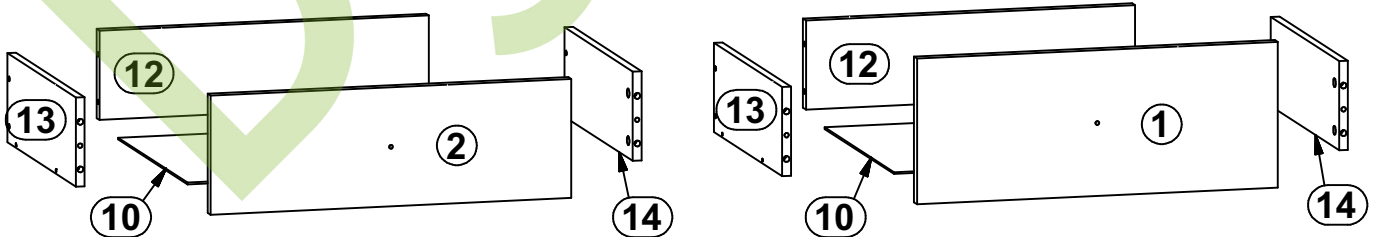
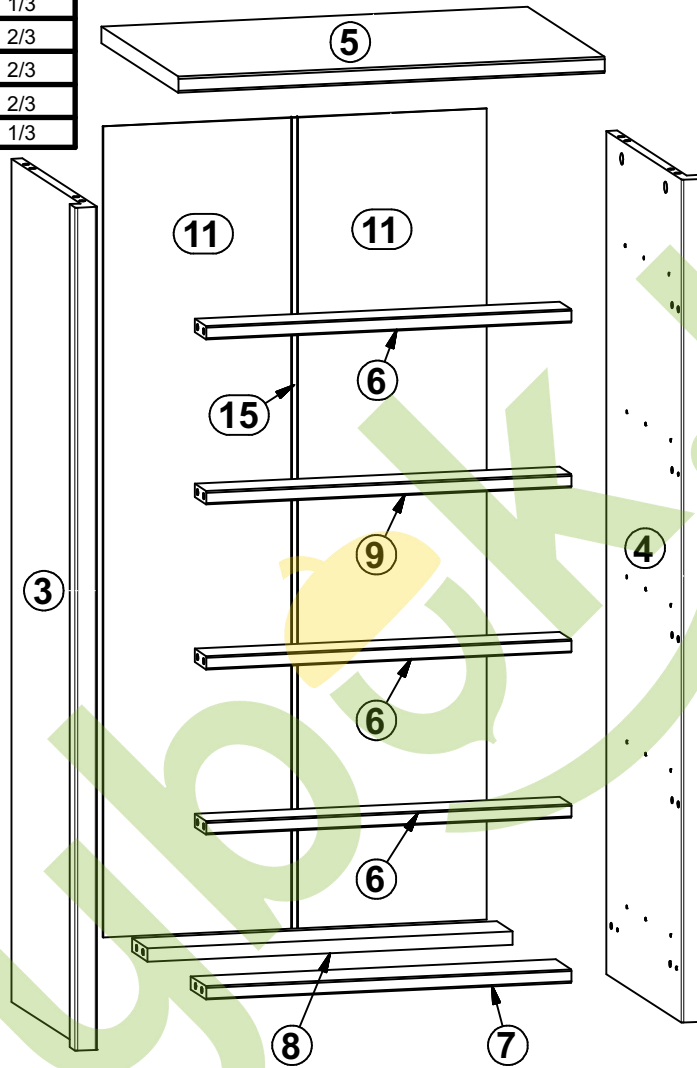
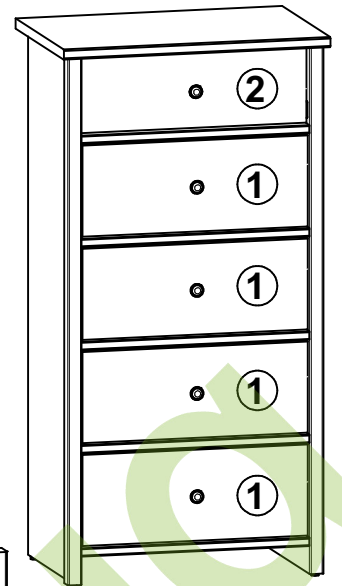
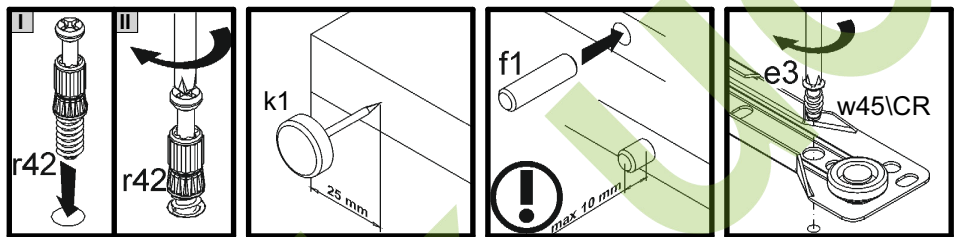
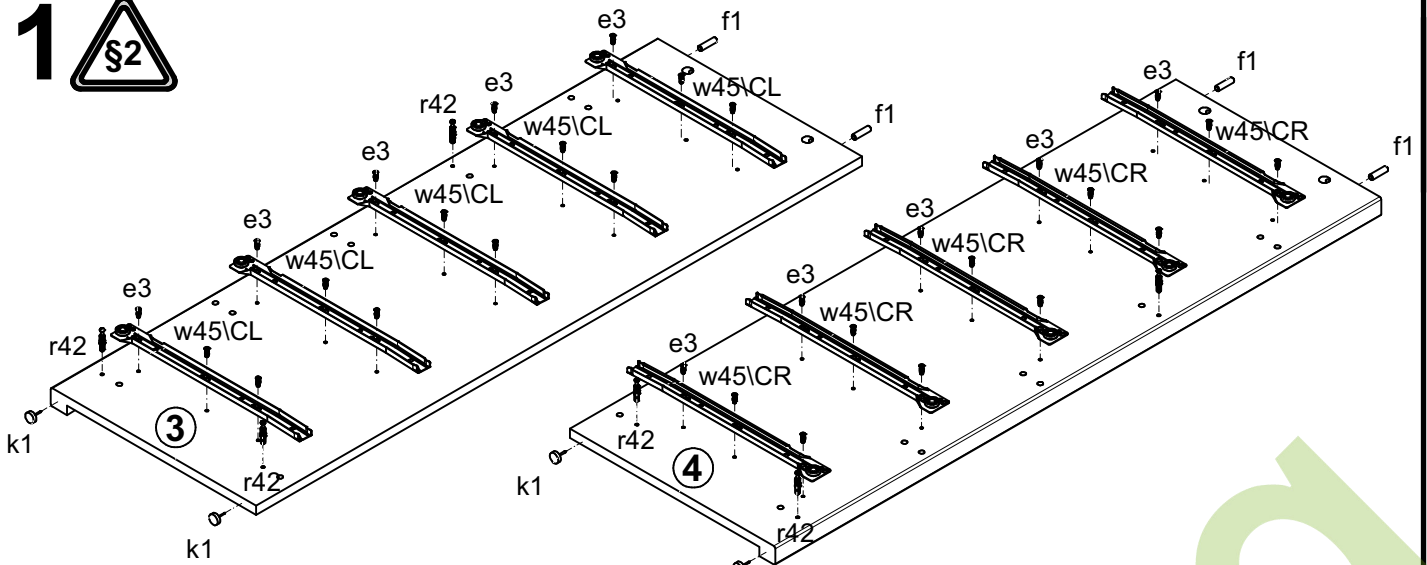


A	B	C	D	
1	S322-0007	494	196	3/3
2	S322-0018	494	160	3/3
3	S322-1120	1134	384	1/3
4	S322-1121	1134	384	1/3
5	S322-2204	584	395	2/3
6	S322-4405	500	60	2/3
7	S322-4406	500	80	2/3
8	S322-4407	500	80	2/3
9	S322-4409	500	60	2/3
10	S322-9909	471	355	2/3
11	S322-9922	1091	263	1/3
12	ZB-5507	443	120	2/3
13	BB-501	350	120	2/3
14	BB-502	350	120	2/3
15	Lh-1050	1050	14	1/3

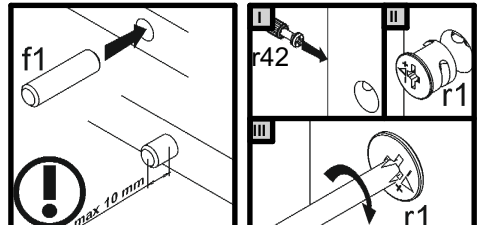
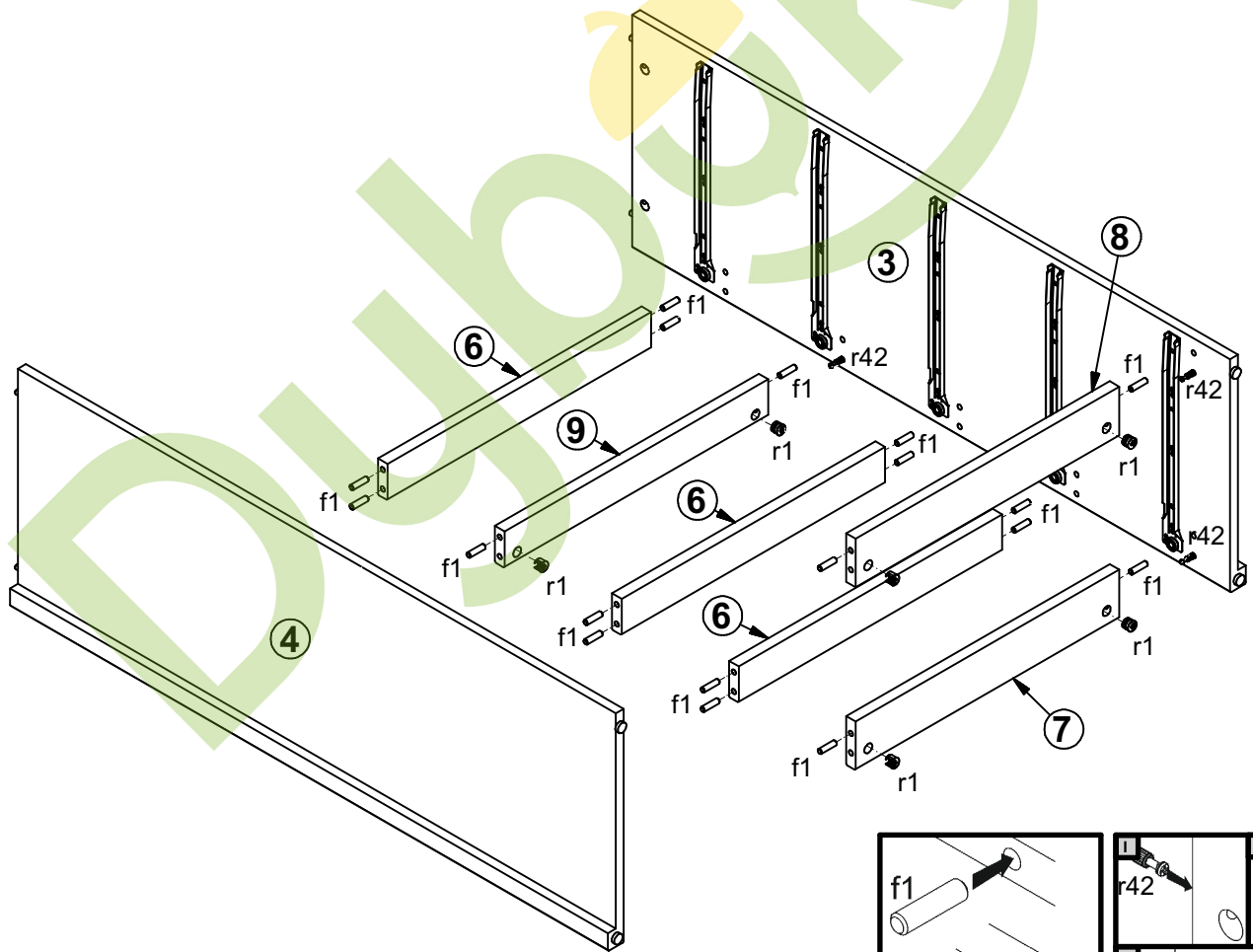


5x M4 c415	30x ∅6x13 mm e3	20x ∅5x9 mm e19	32x ∅8x30 mm f1	20x ∅6.5x40 mm f25	5x M4x20 mm j1	4x k1	35x l1	1x n26
21x ∅3.5x16 mm p38	30x ∅15x12 mm #16 r1	30x 20/11 r42	2x s2	5x 350 mm w45\CL	5x 350 mm w45\CR	5x 350 mm w45\DL	5x 350 mm w45\DR	

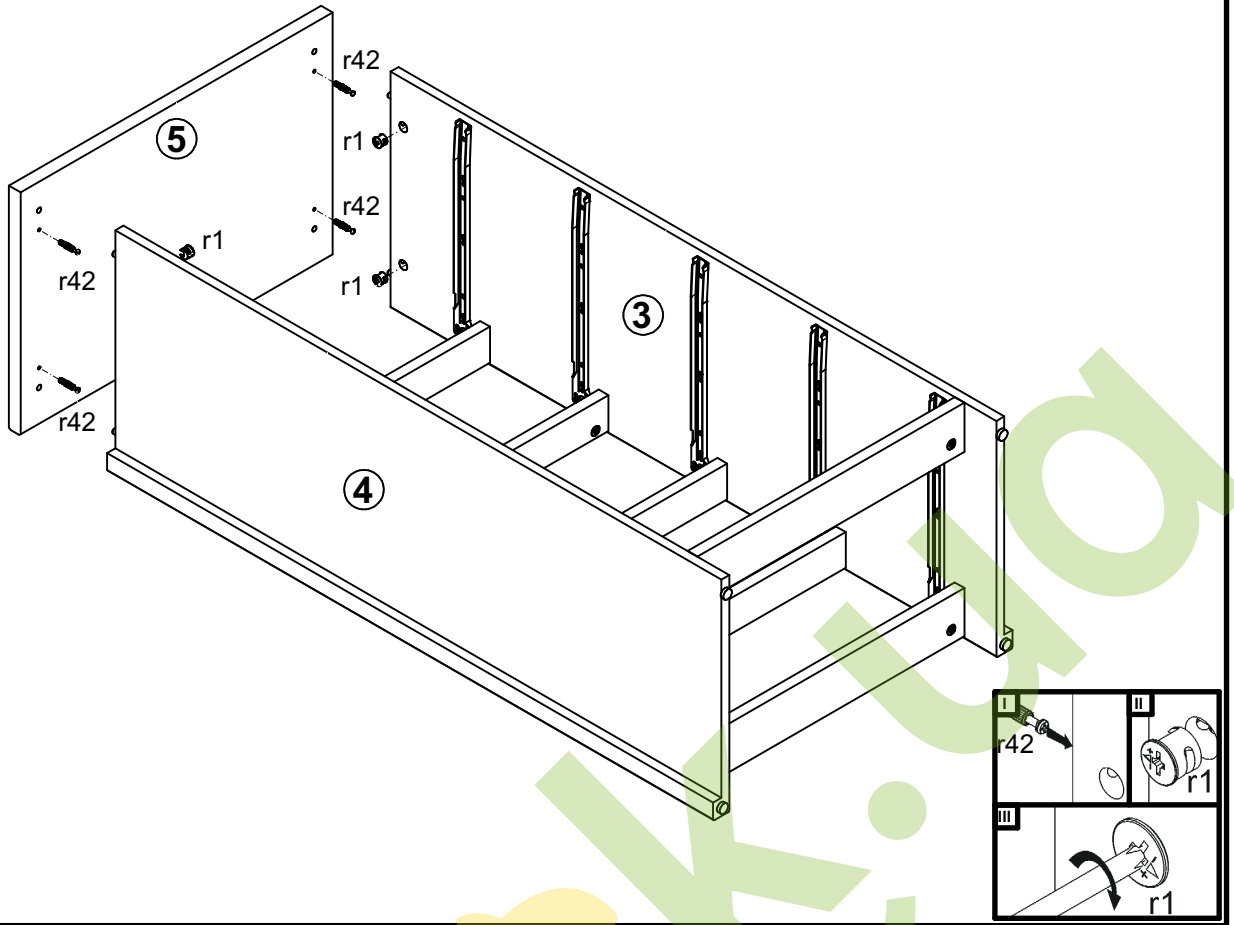
1



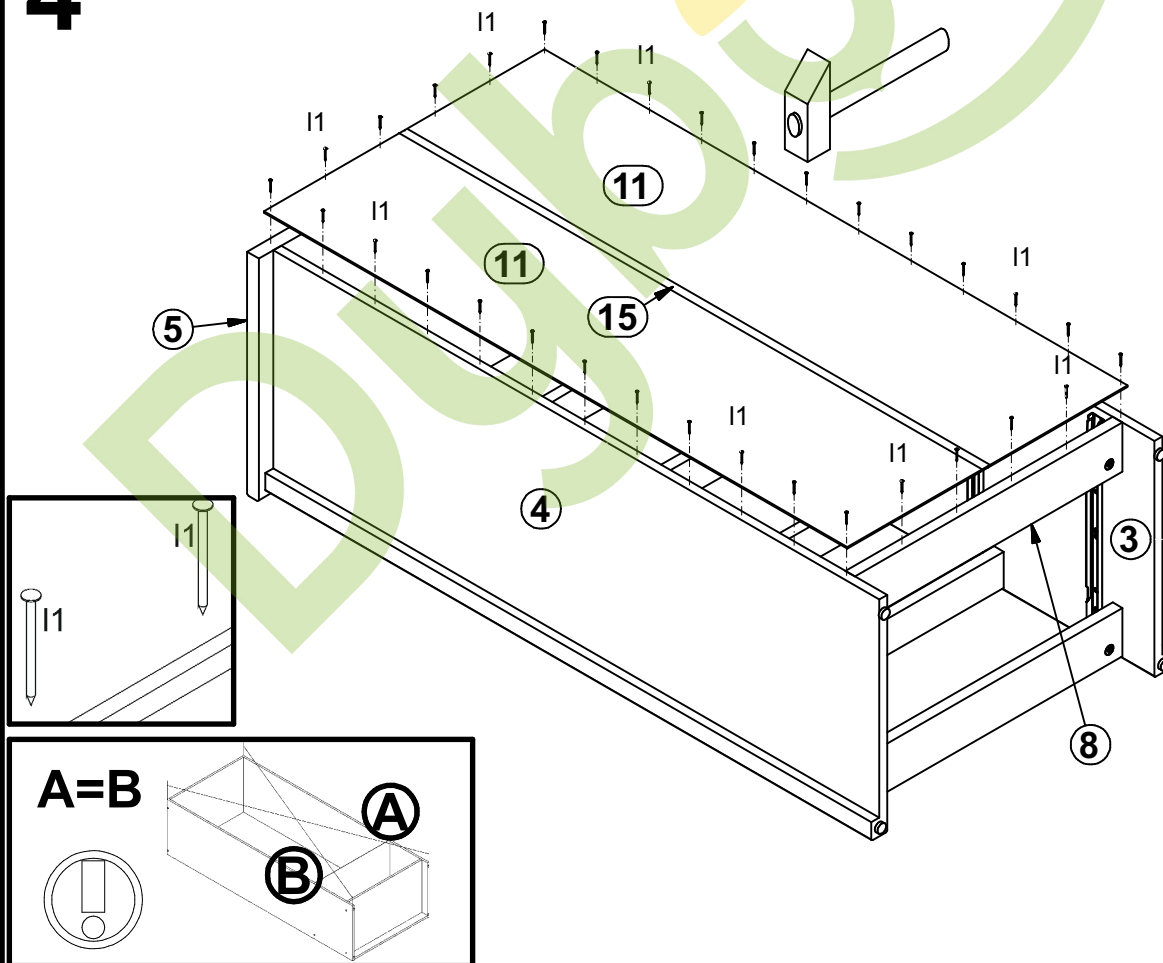
2



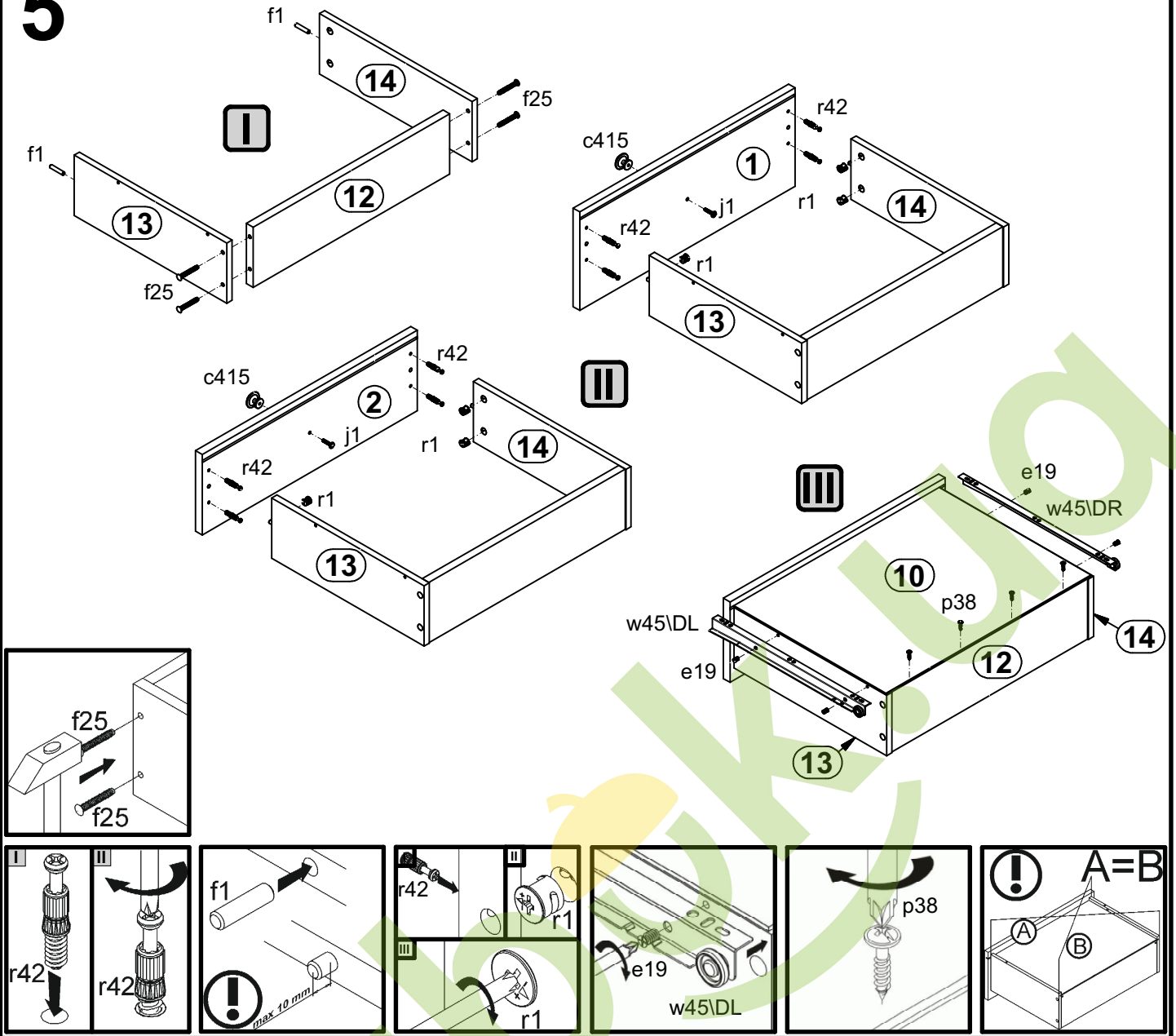
3



4



5



6

