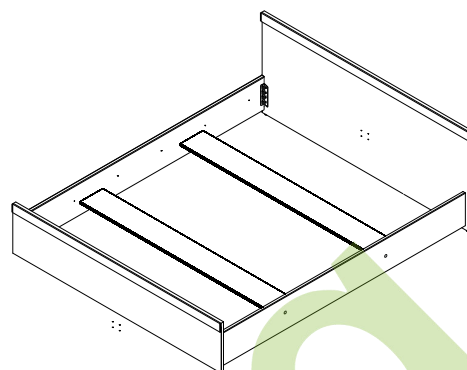


# PORTO

## S322-LOZ/160 KAPKAC S322-LOZ/140 KAPKAC

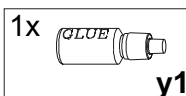
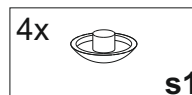
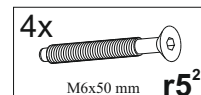
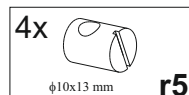
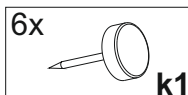
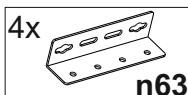
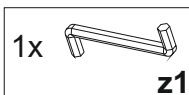
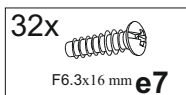
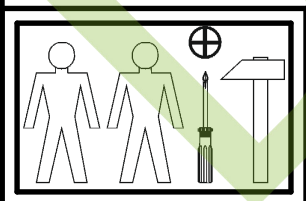
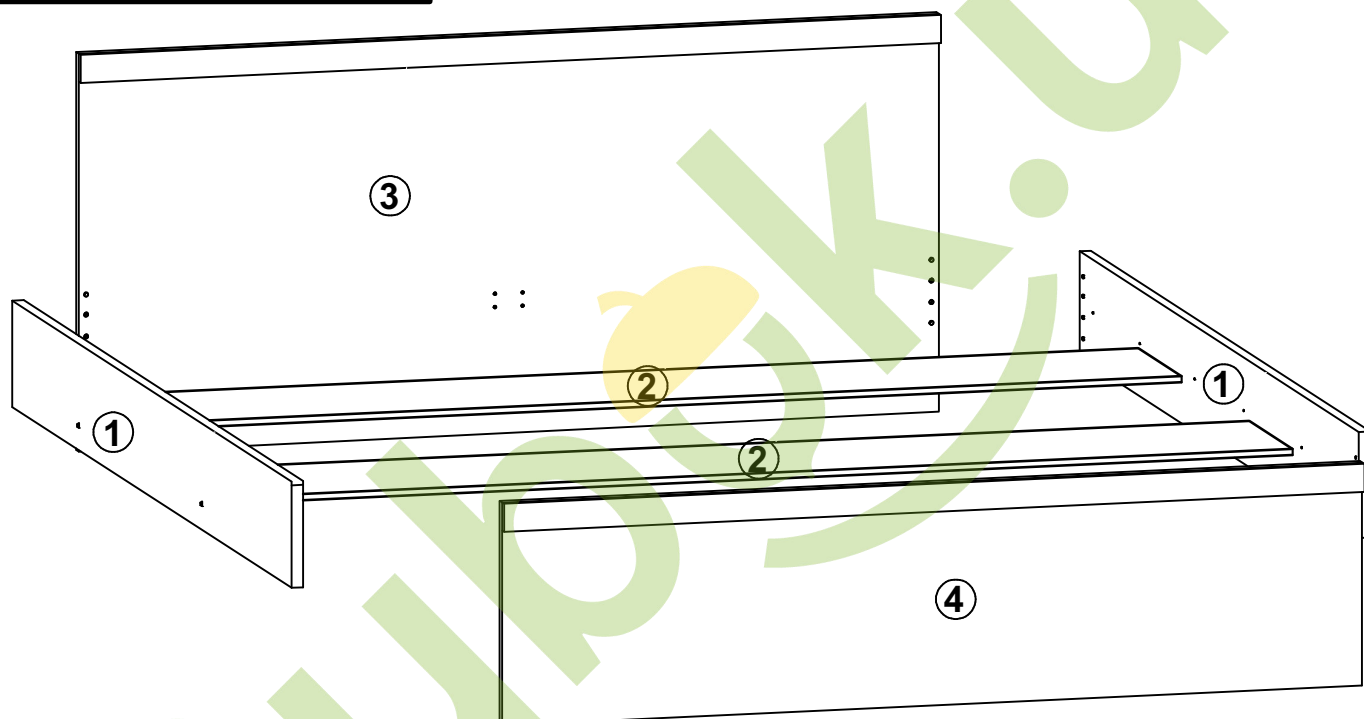
### S322-LOZ/160 KAPKAC

A	B	C	D
1	S322-1150	2000	200
2	S322-1151	1603	200
3	S322-4427	1660	840
4	S322-4428	1660	440

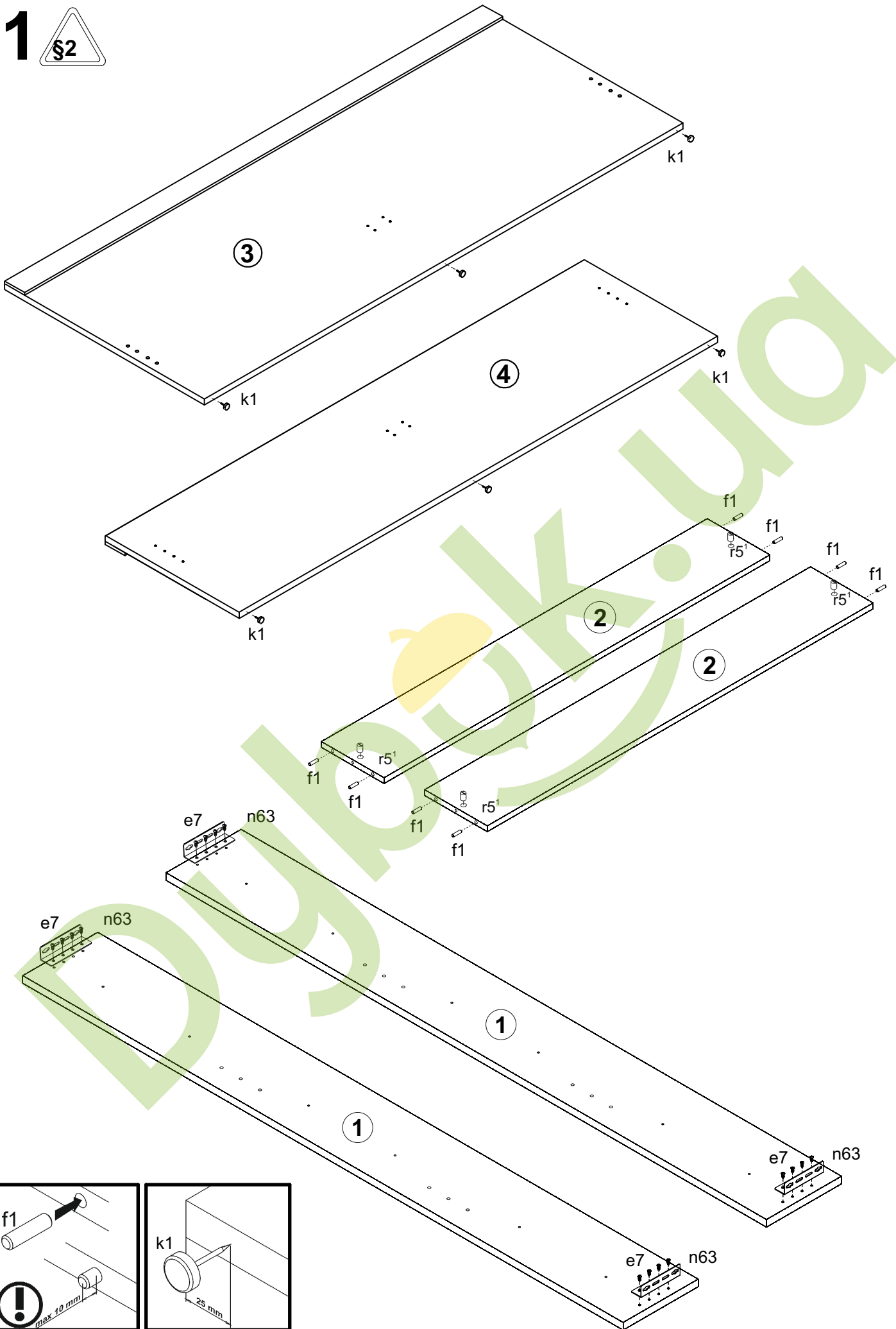


### S322-LOZ/140 KAPKAC

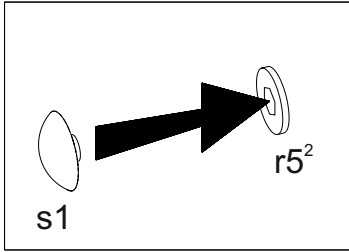
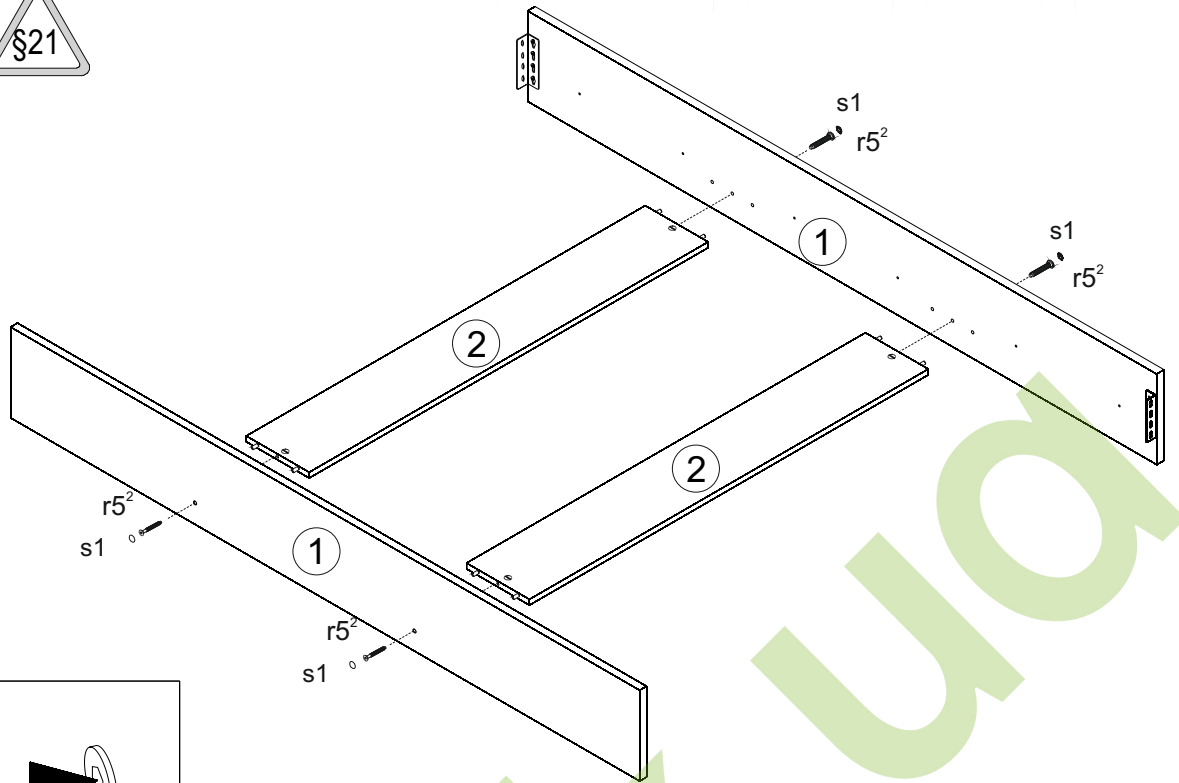
A	B	C	D
1	S322-1150	2000	200
2	S322-1161	1403	200
3	S322-4450	1460	840
4	S322-4451	1460	440



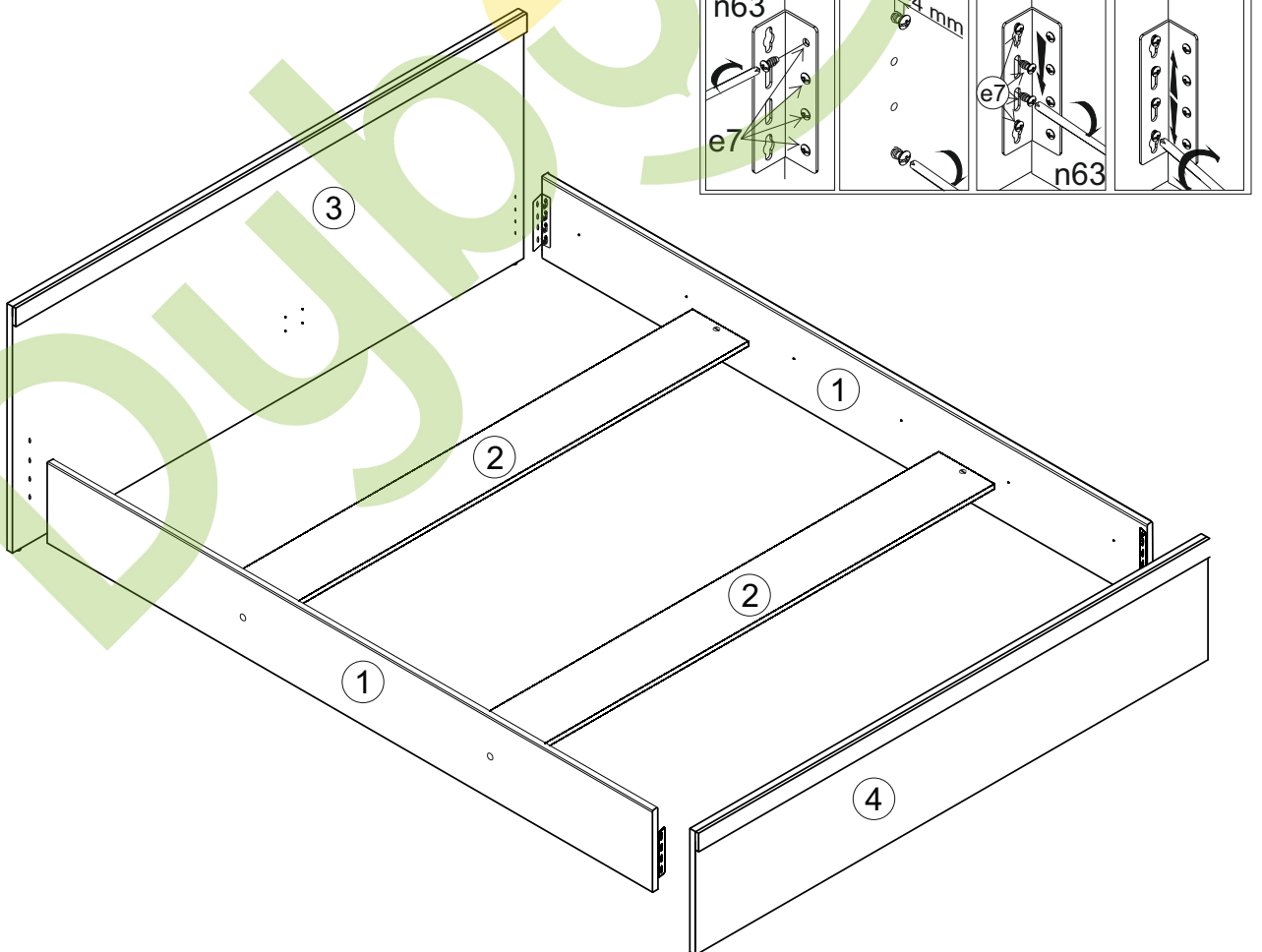
1 



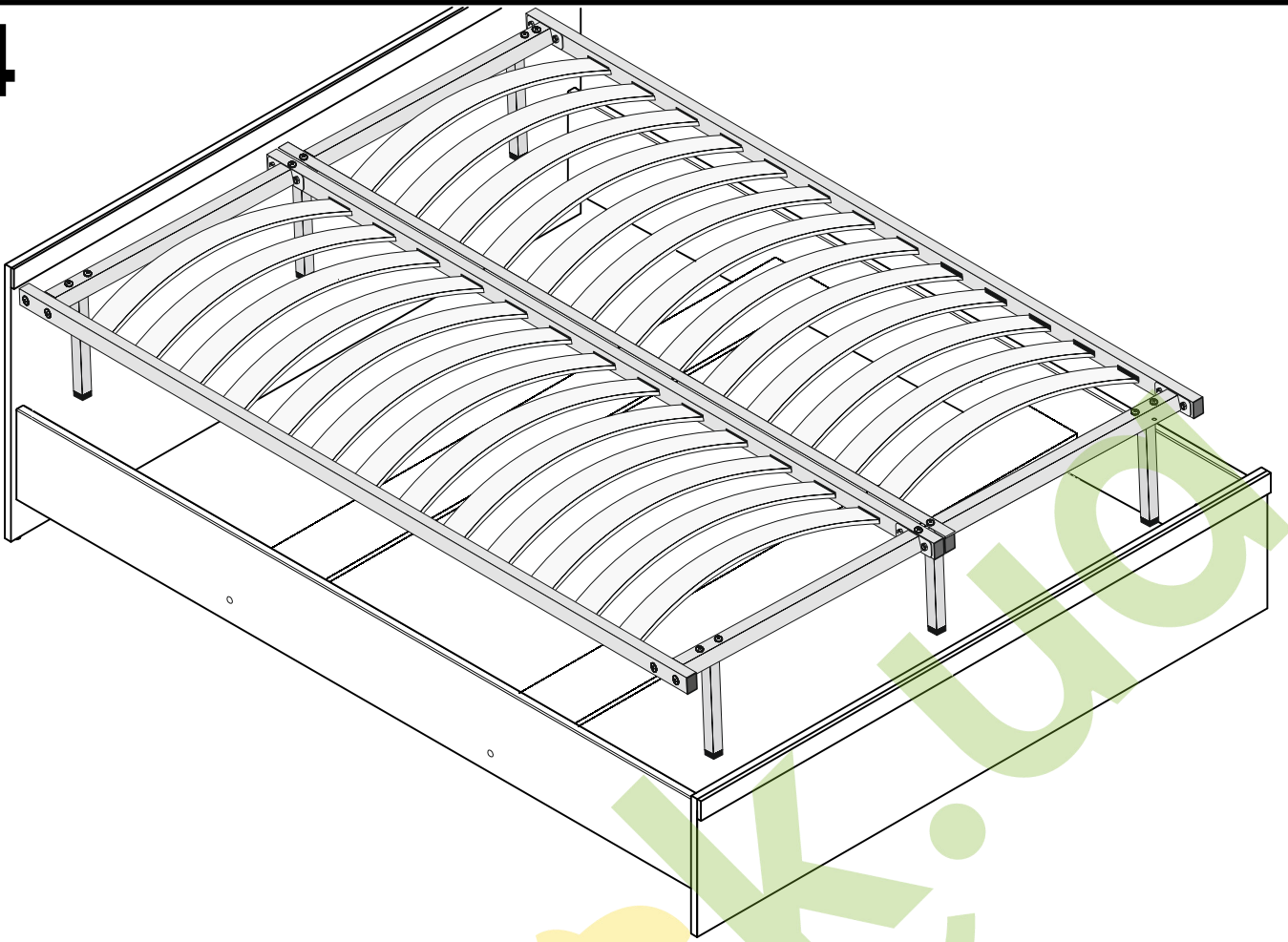
# 2



# 3



4



Дубок