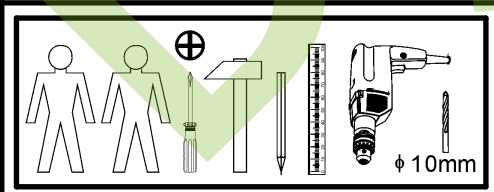
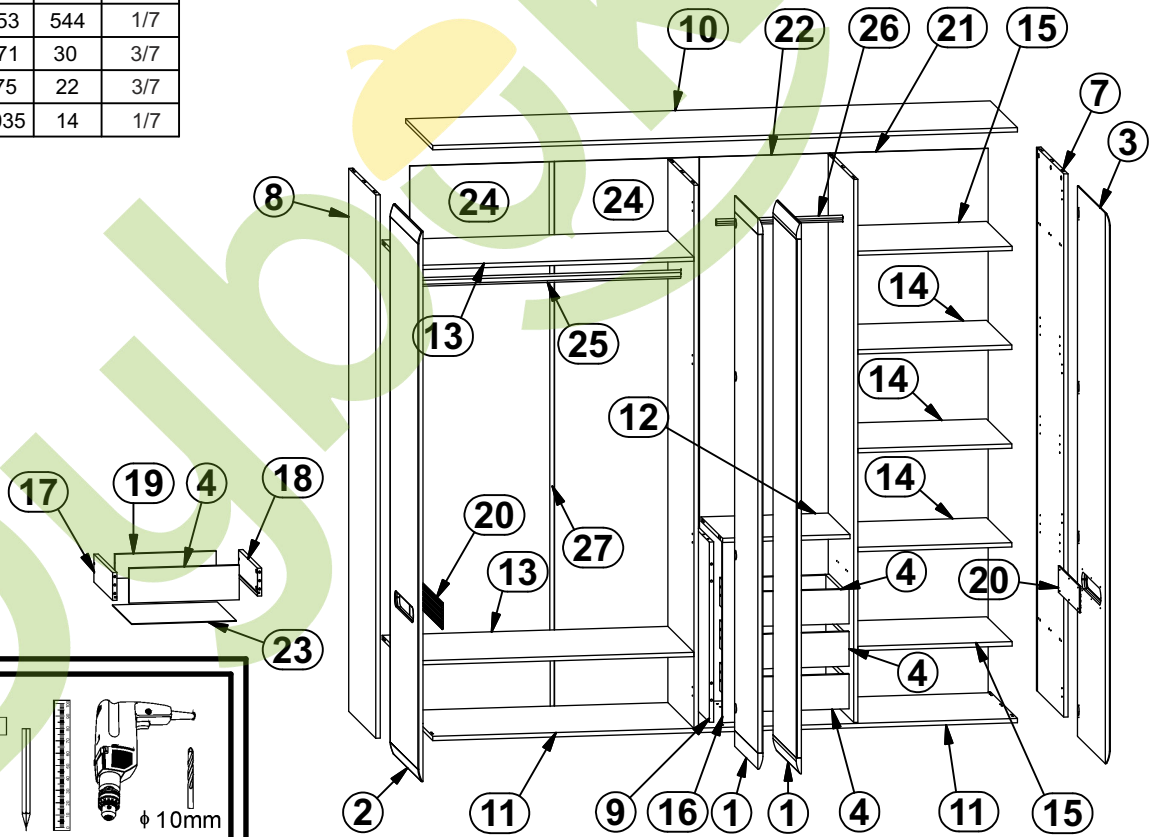
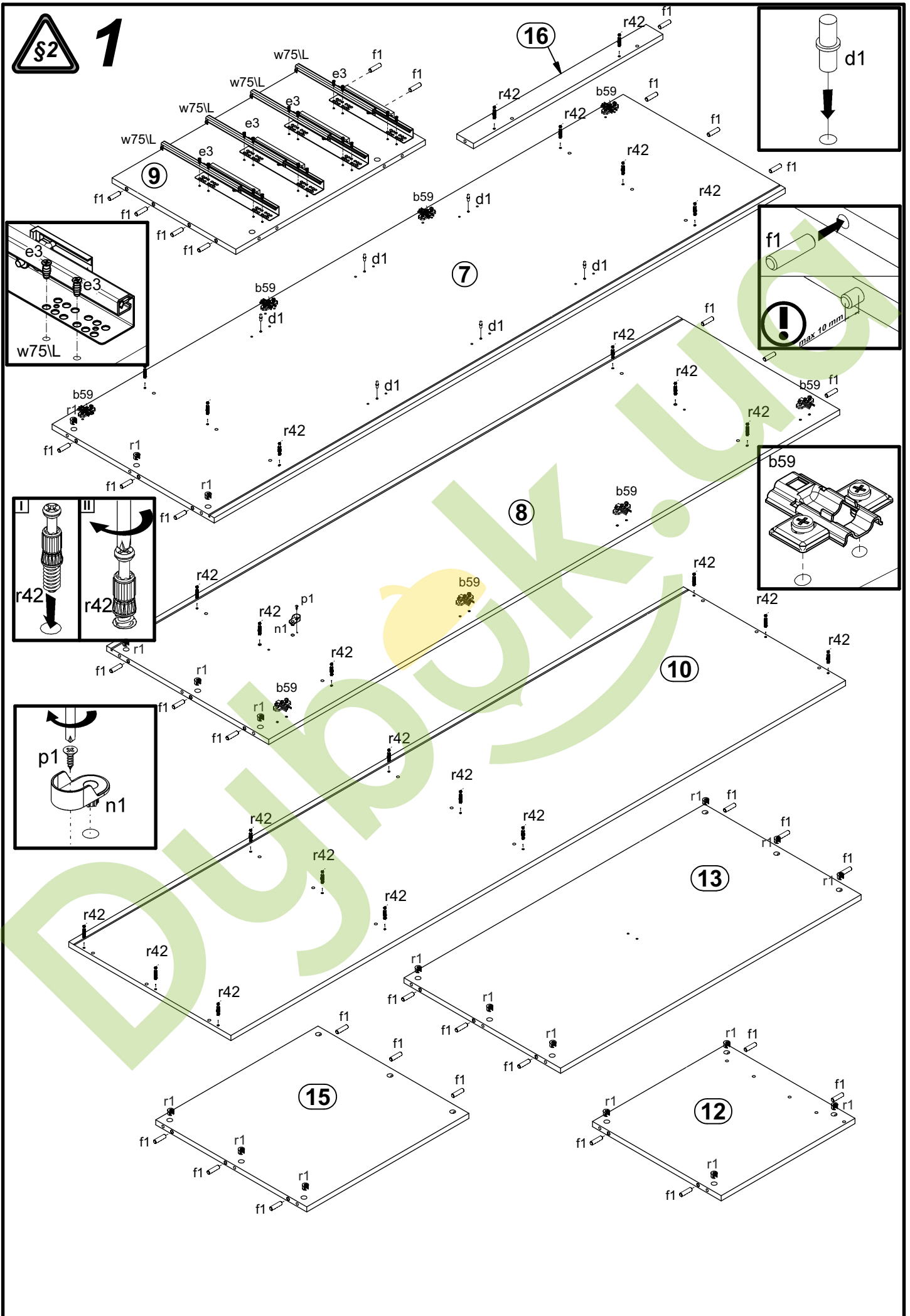


A	B	C		D
1	S205-027	2071	496	6/7
2	S205-031	2071	596	5/7
3	S205-032	2071	596	5/7
4	S205-045	414	130	3/7
5	S205-145	2043	560	2/7
6	S205-146	2043	540	2/7
7	S205-148	2043	580	1/7
8	S205-150	2043	580	1/7
9	S205-162	678	443	4/7
10	S205-225	2199	580	2/7
11	S205-226	2199	580	2/7
12	S205-319	479	460	4/7
13	S205-321	1075	560	3/7
14	S205-325	579	540	3/7
15	S205-333	580	540	4/7
16	S205-414	678	60	3/7
17	S205-505	400	105	3/7
18	S205-506	400	105	3/7
19	S205-510	380	91	3/7
20	S205-587	445	100	3/7
21	S205-913	2053	594	1/7
22	S205-917	2053	491	1/7
23	S205-969	394	408	4/7
24	S205-964	2053	544	1/7
25	dr-1071	1071	30	3/7
26	dr-475	475	22	3/7
27	Lh-2035	2035	14	1/7



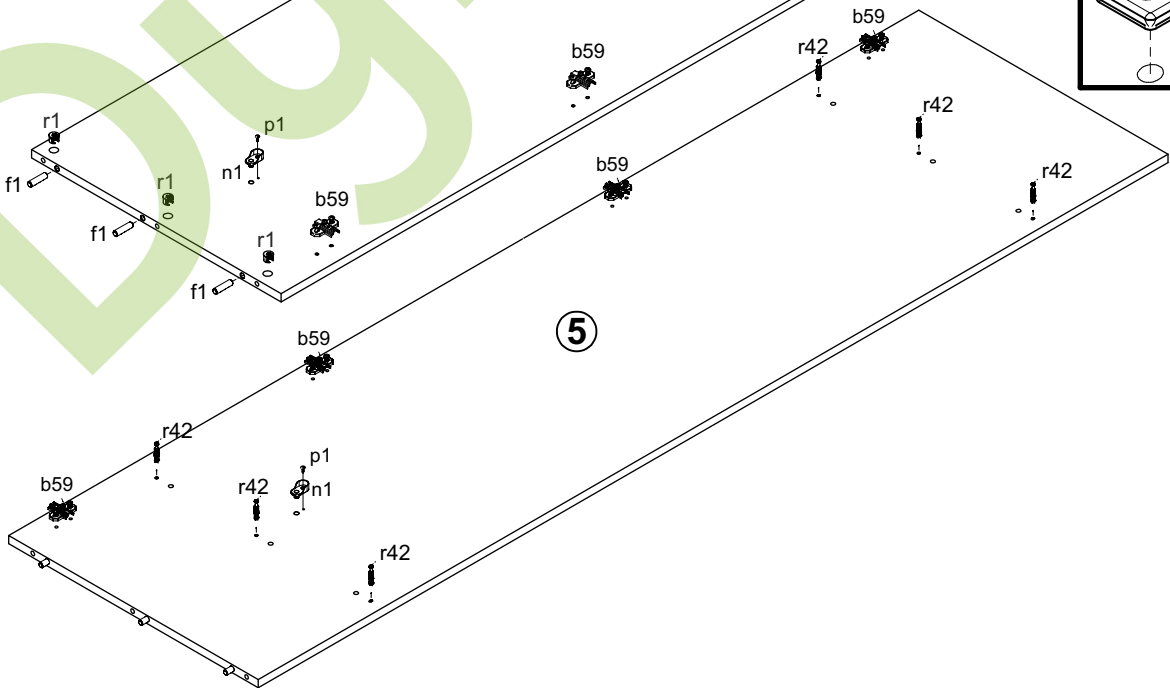
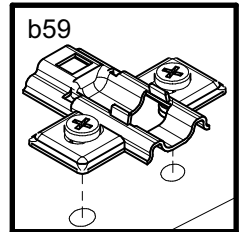
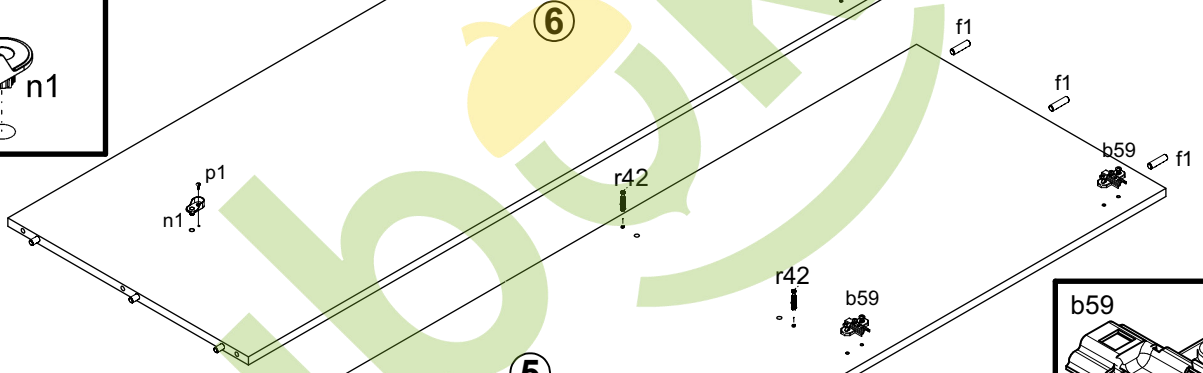
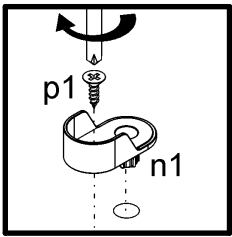
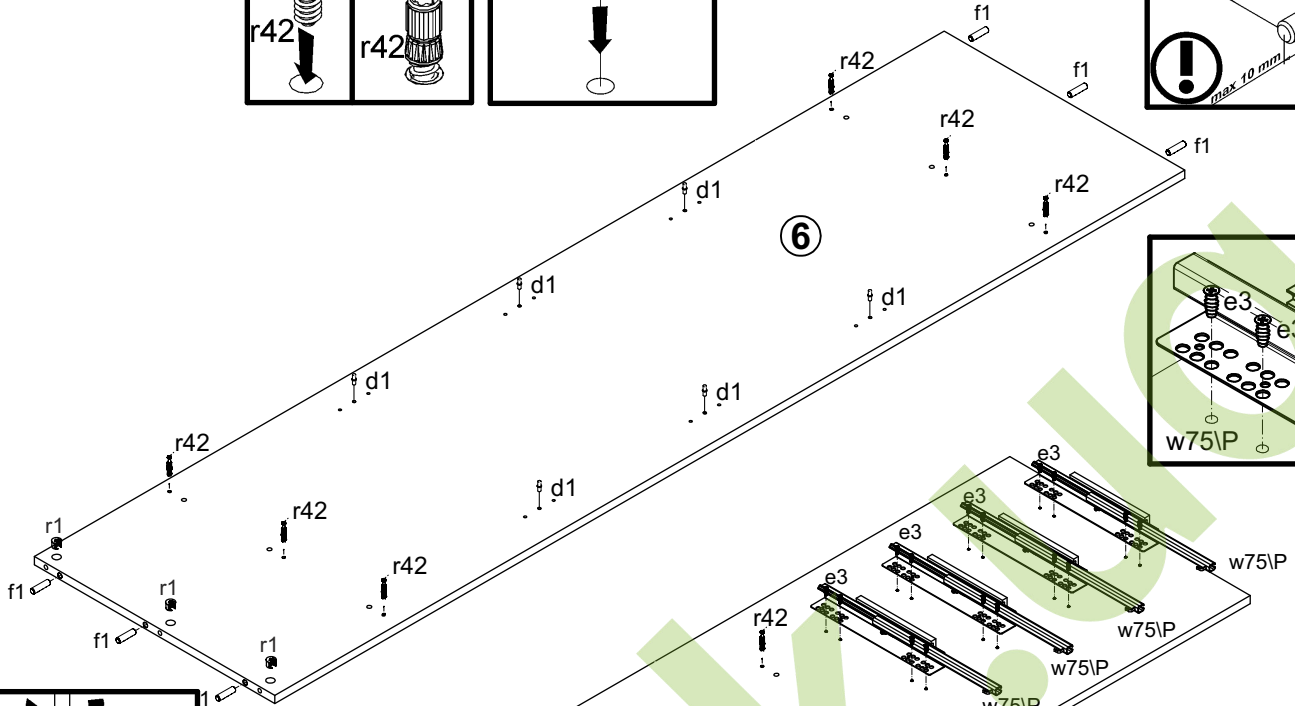
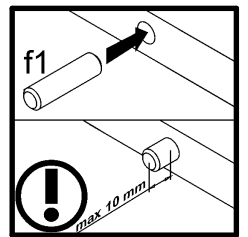
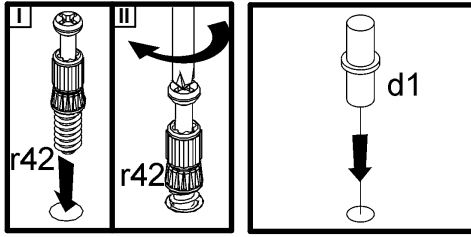
8x  a102	8x  a103	16x  b59	16x  d1	31x  e1	65x  f1	1x  k53	4x  k84	4x  k85
30x  l1	30x  l2	6x  n1	26x  n108	4x  p1	1x  p36	41x  p38	32x  p51	34x  p55
8x  p6	58x  r1	58x  r42	52x  s2	1x  z1	1x  n261	1x  p38	4x  w75 <sup>P</sup>	4x  w75 <sup>L</sup>
1x  f3	1x  p17	34x  e3	1x  qb18	24x  s4				

§2 1

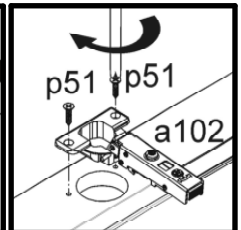
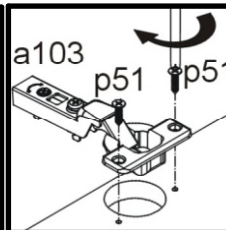
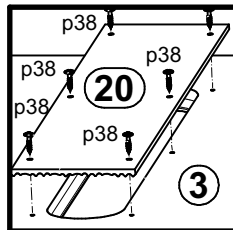
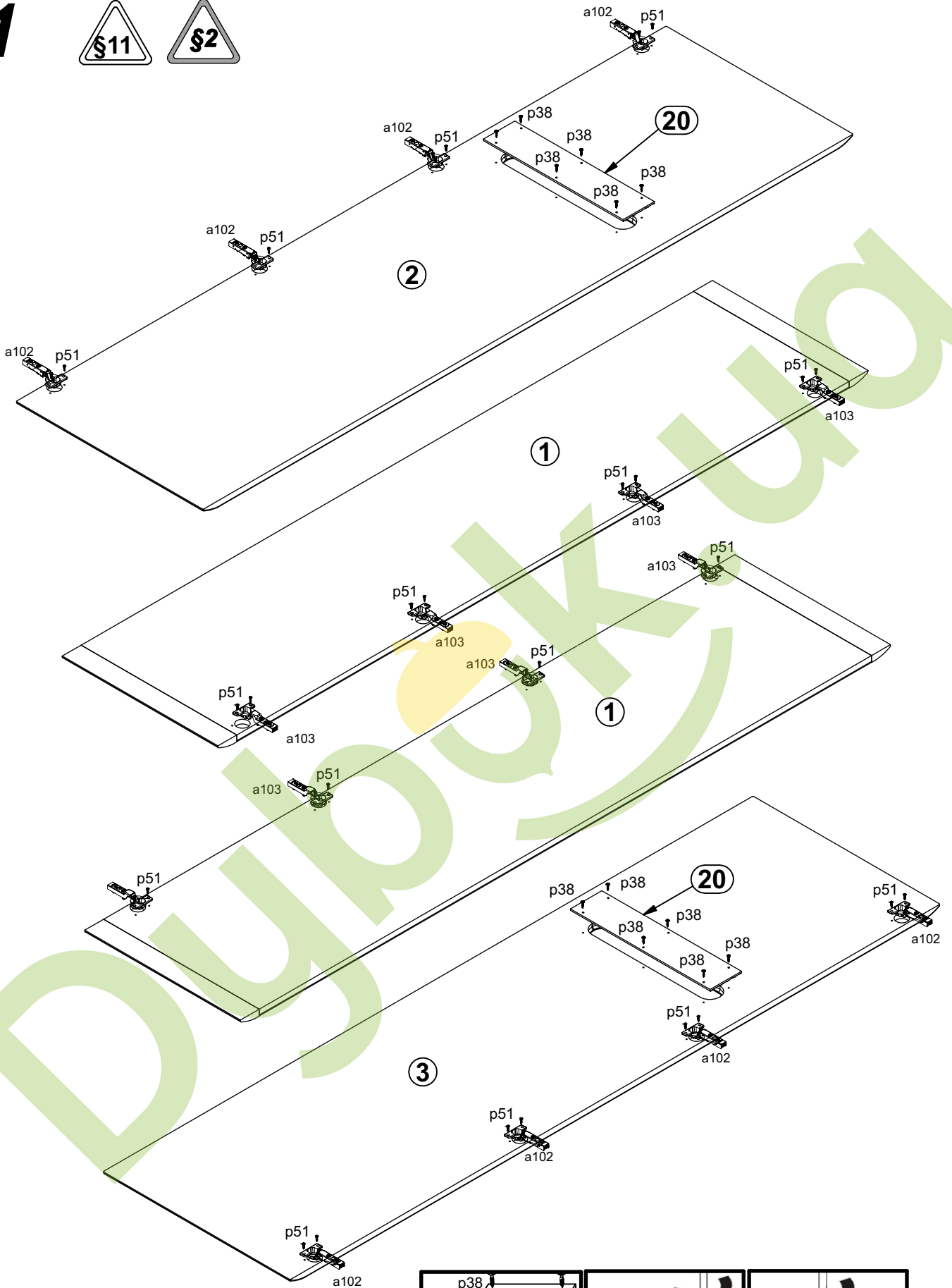




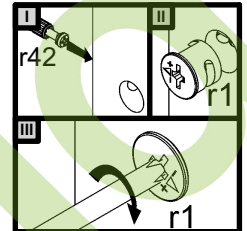
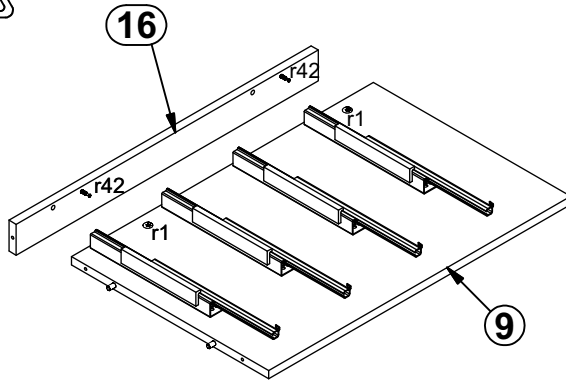
1



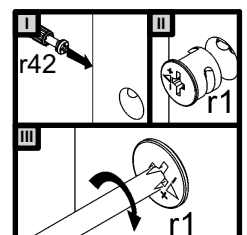
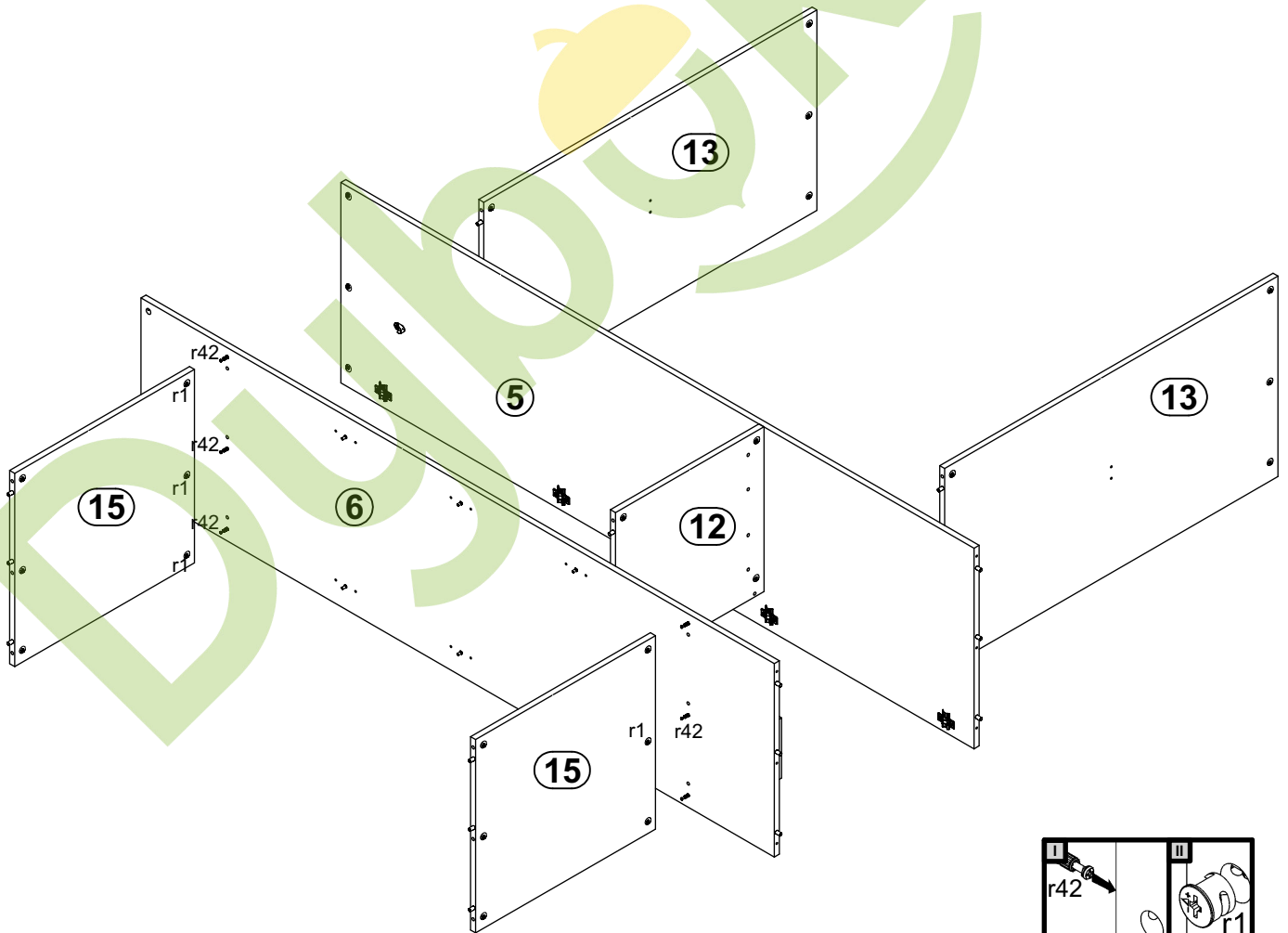
# 1



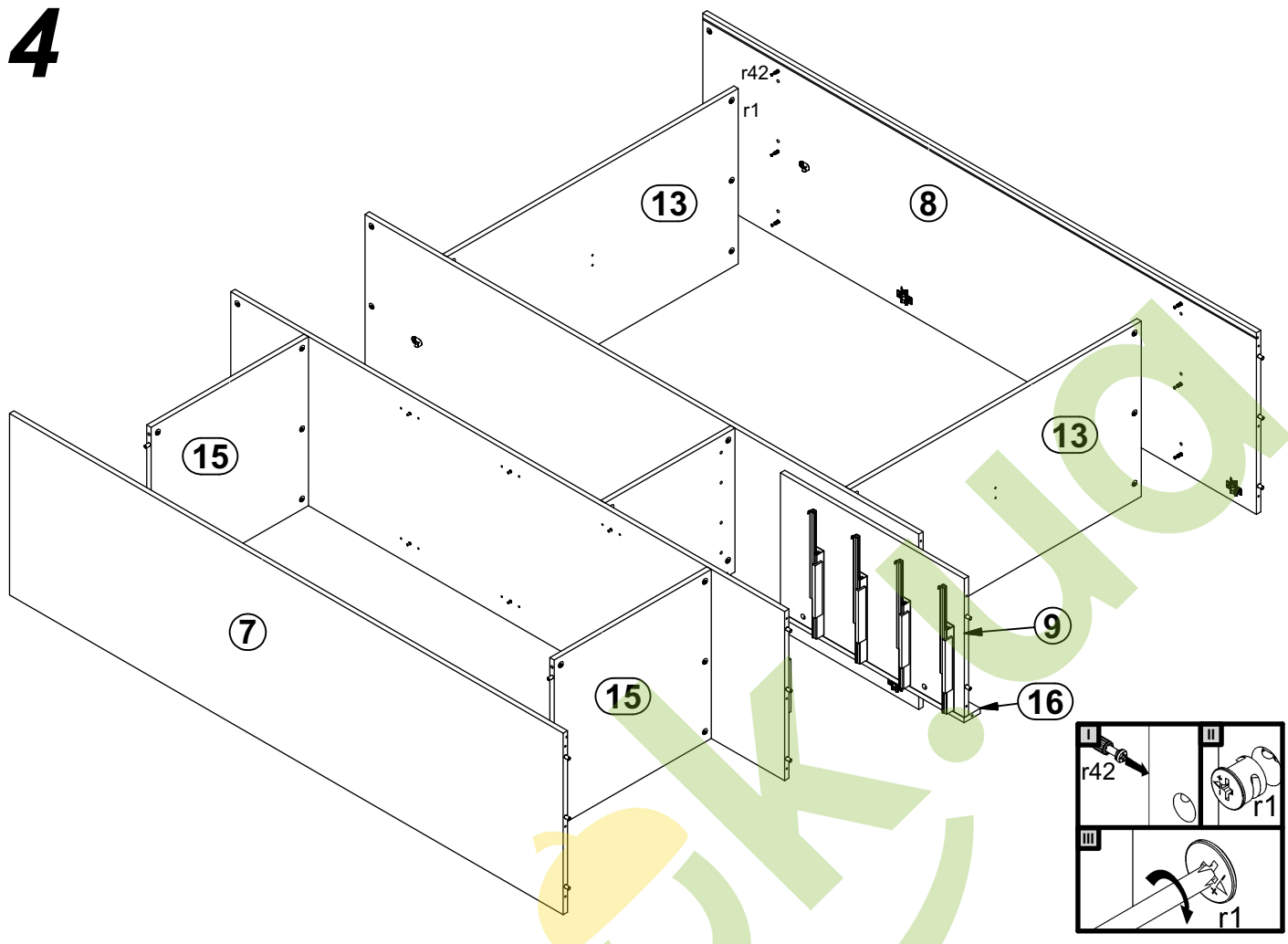
# 2



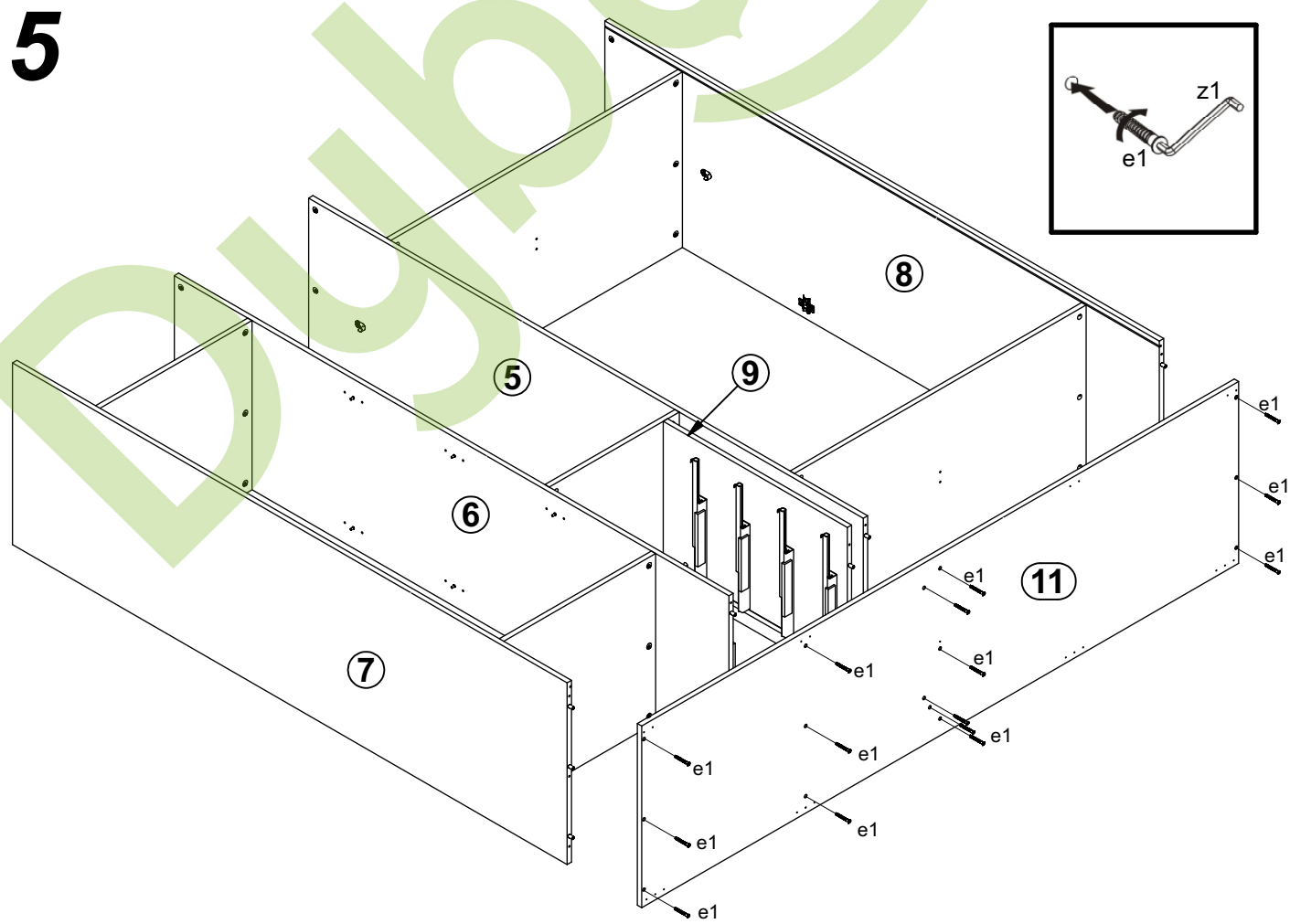
# 3



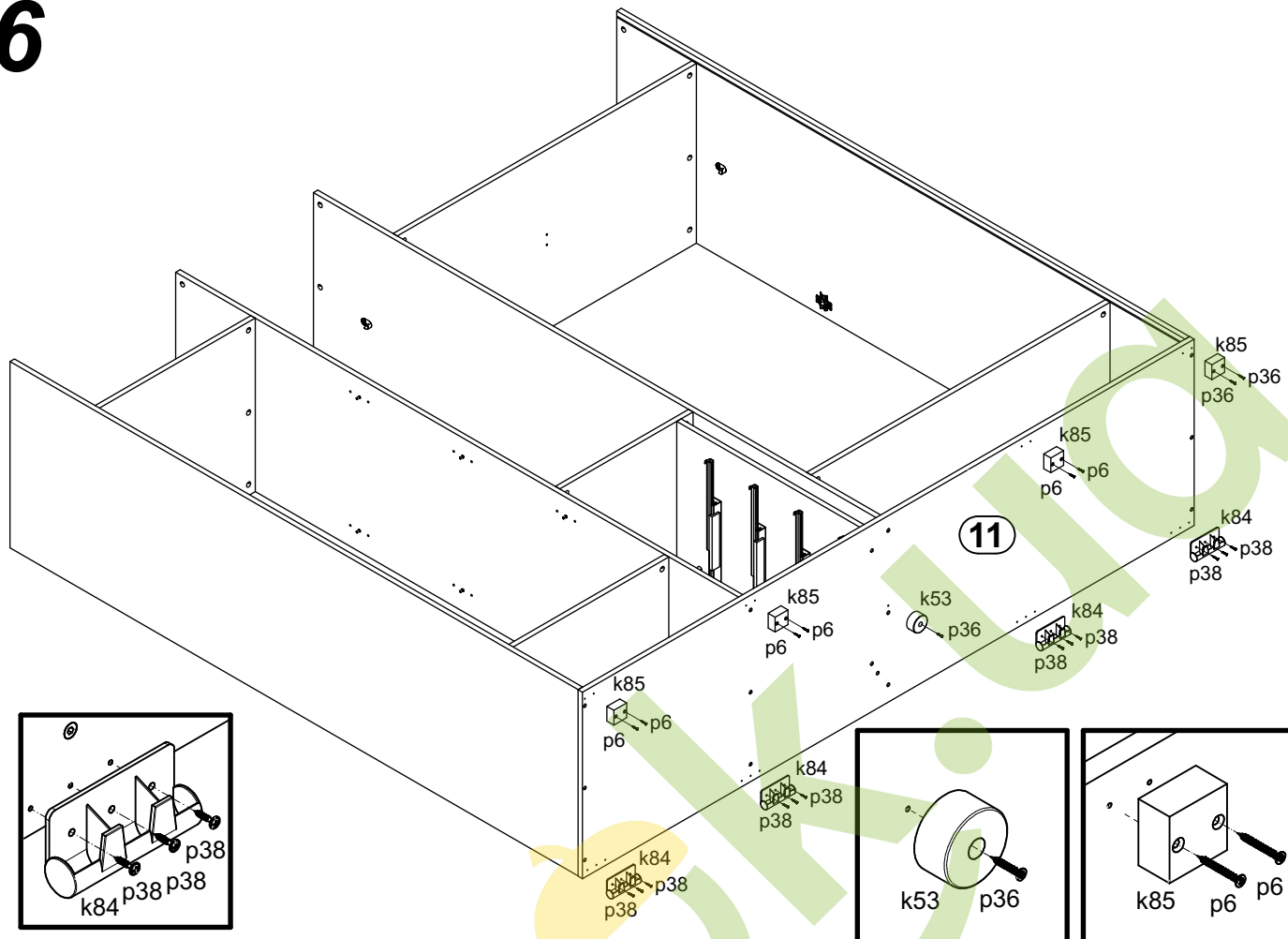
# 4



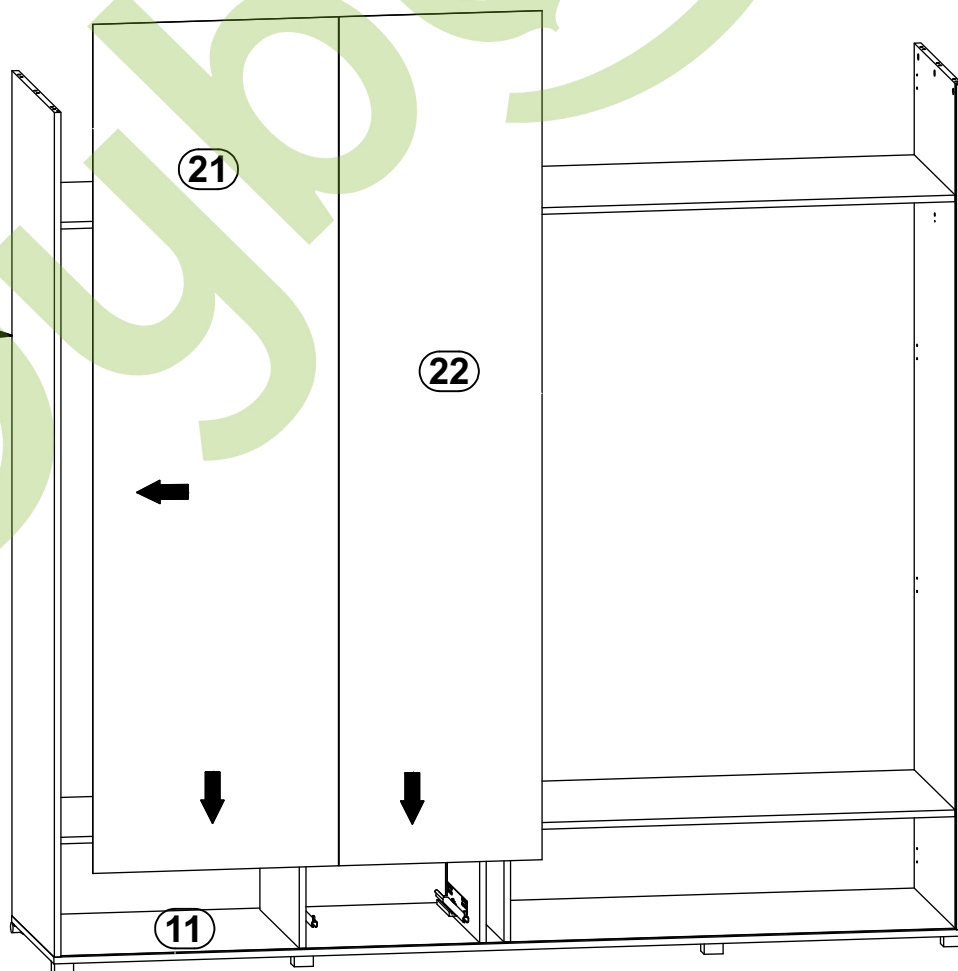
# 5



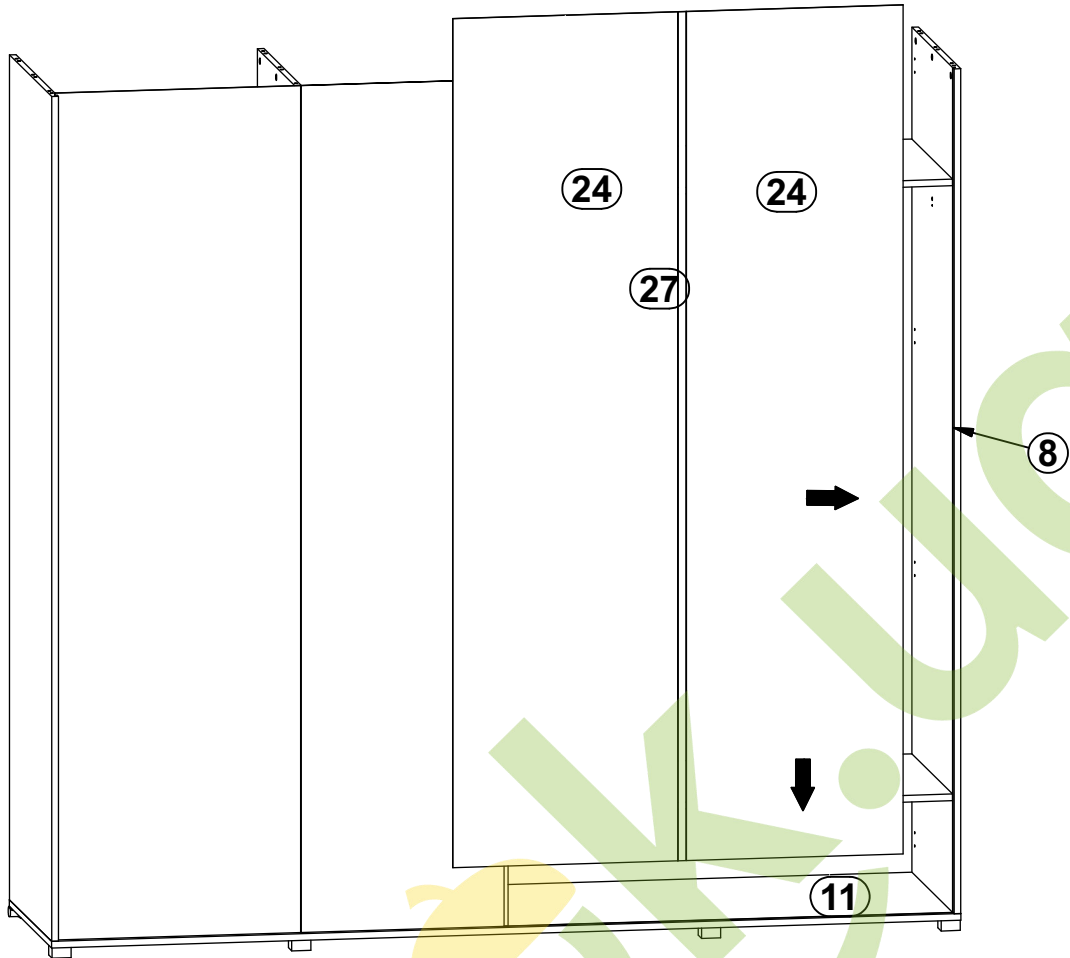
# 6



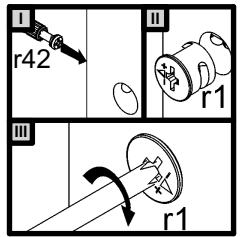
# 7



8

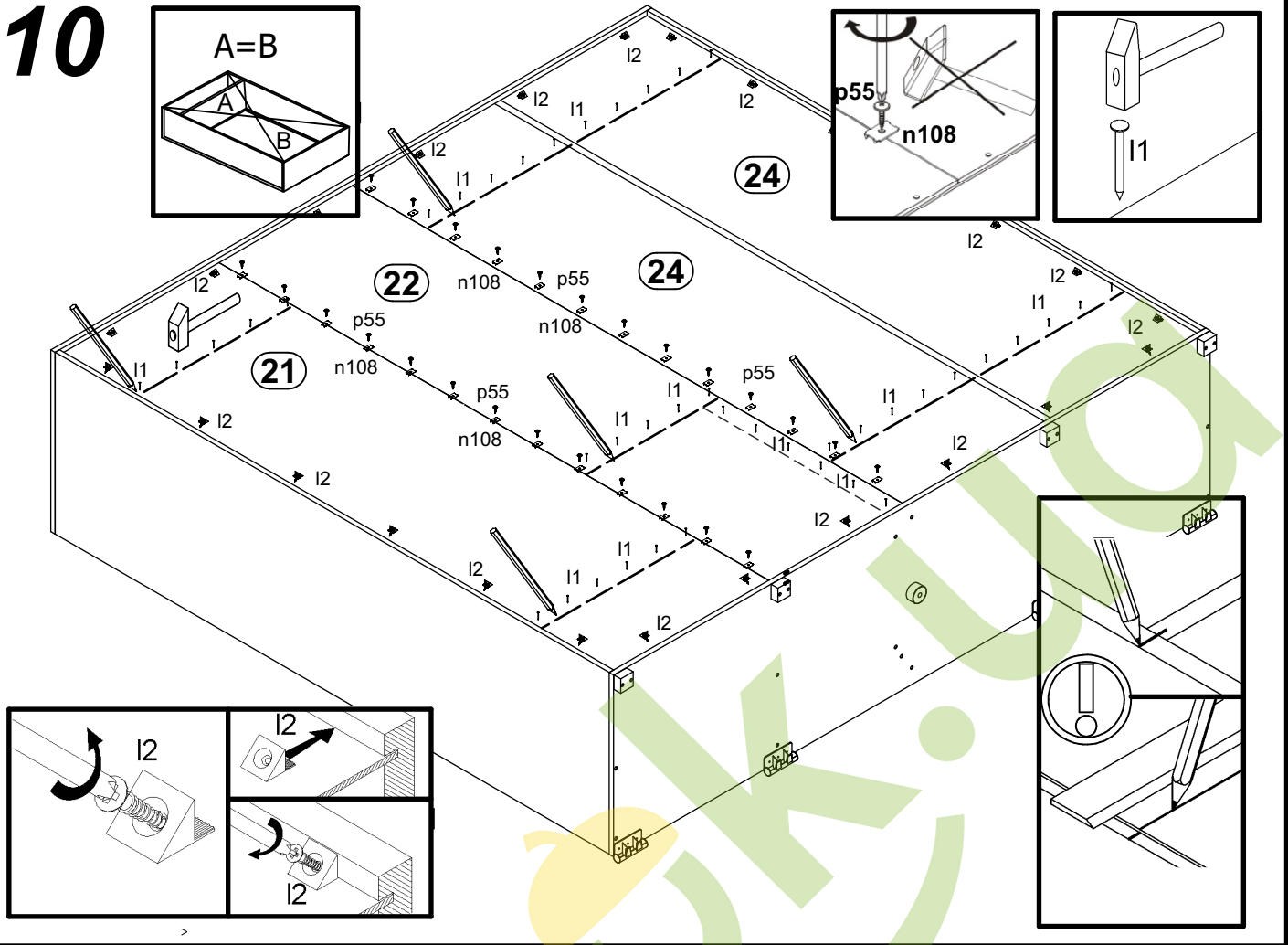
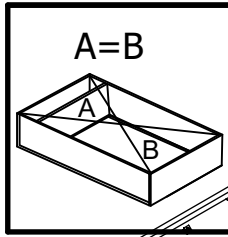


9

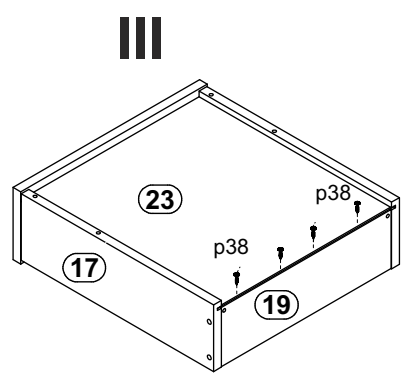
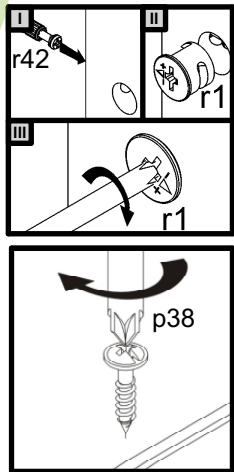
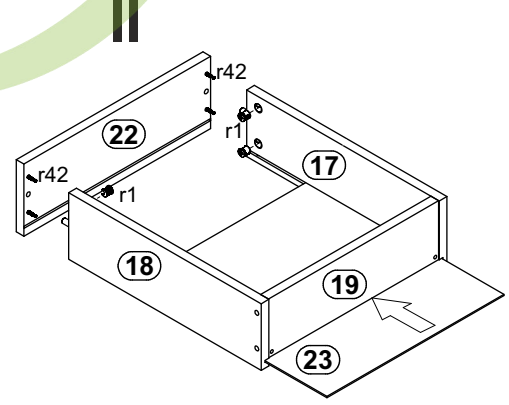
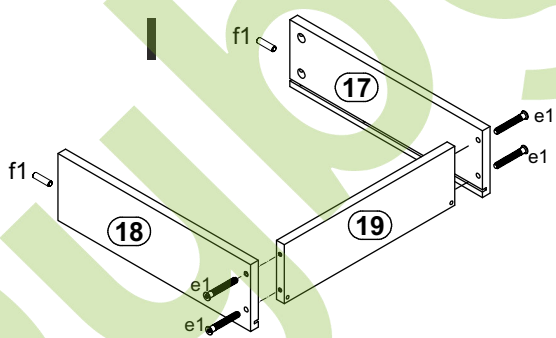




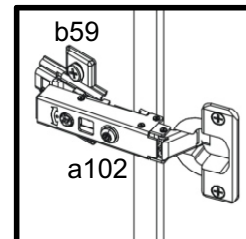
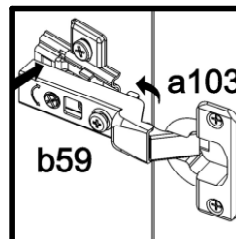
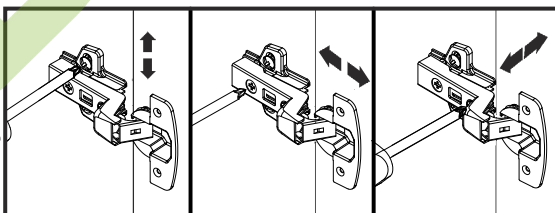
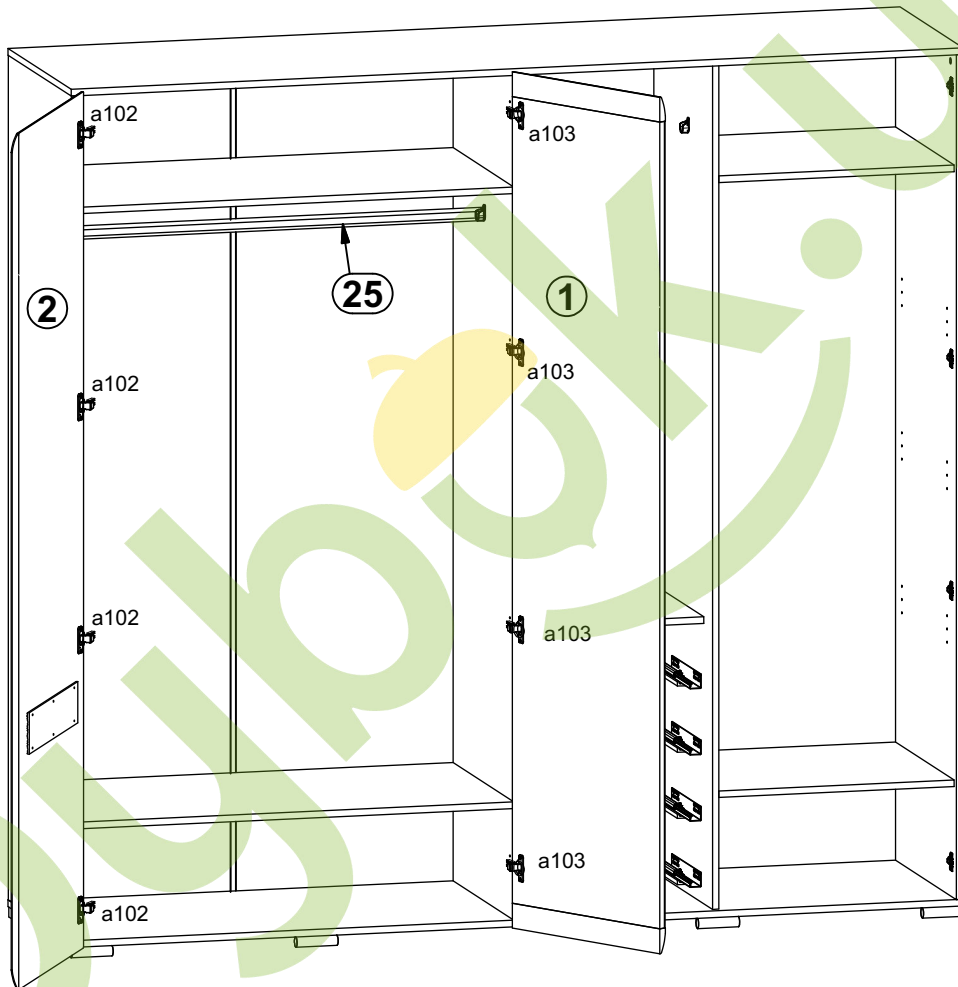
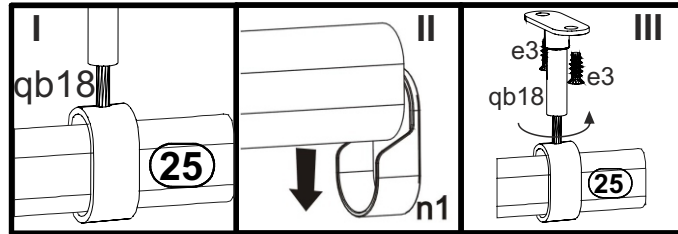
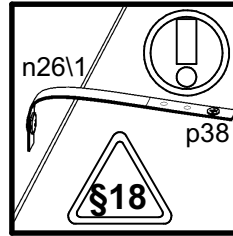
# 10



# 11



# 12



# 13

