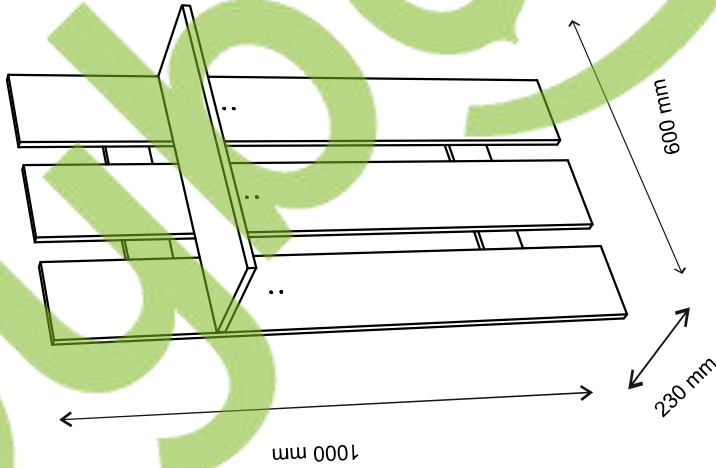
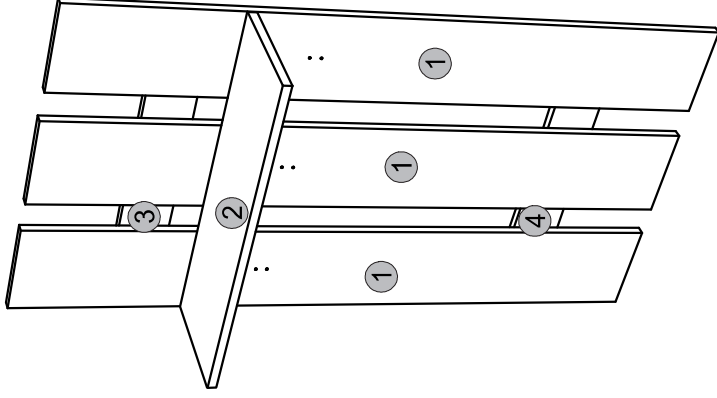
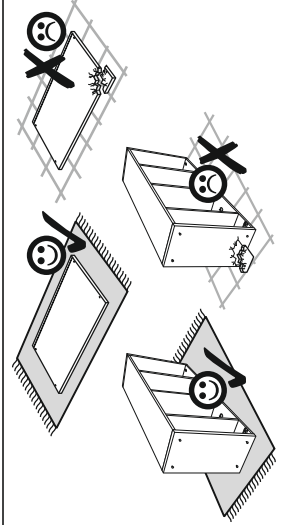
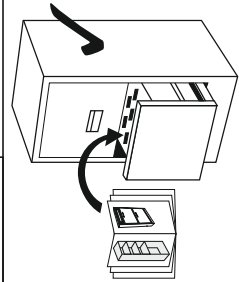
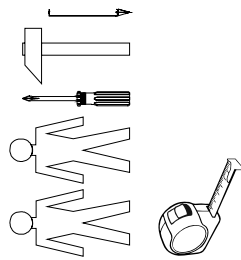
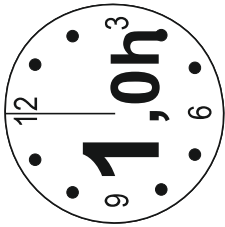
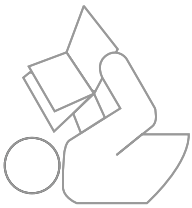
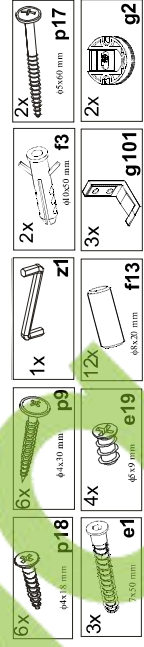


# Instalation manual

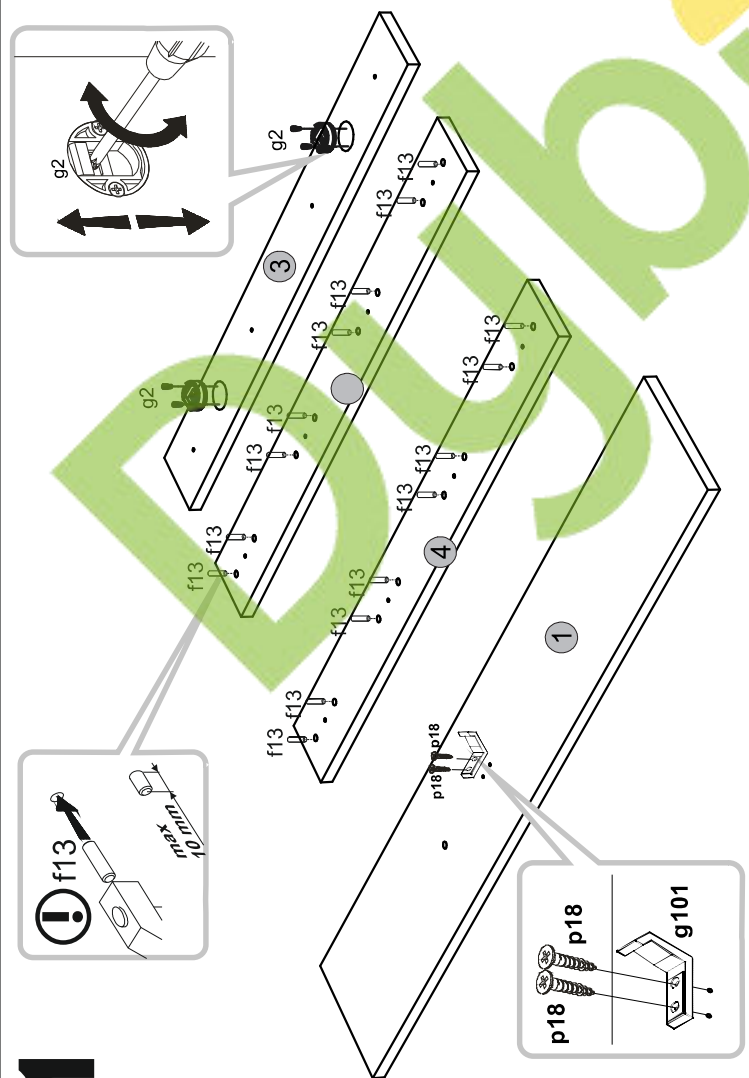
TOP-MIX: WIE\_60



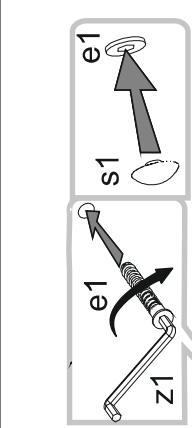
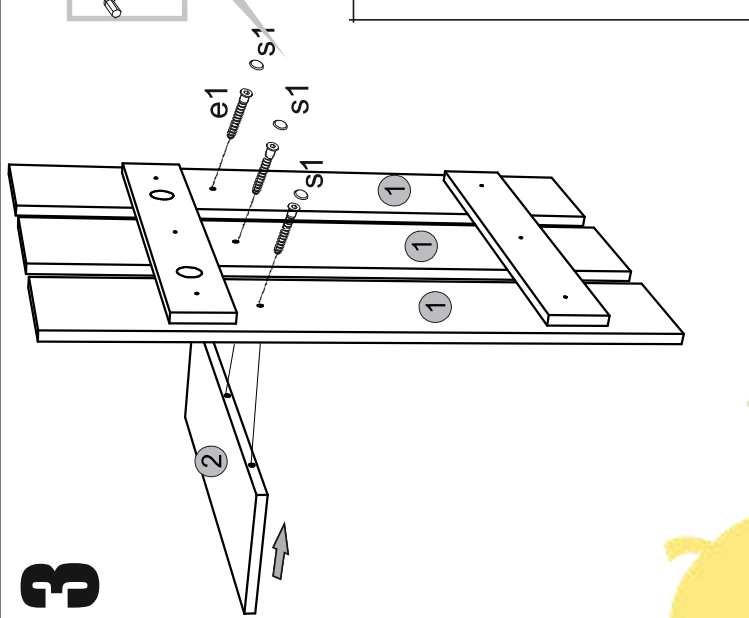
Element symbol	Dimensions			Code	Package
1	1000	170	16	T-141	1/1
2	598	198	16	T-341	1/1
3	552	90	16	T-441	1/1
4	552	90	16	T-442	1/1



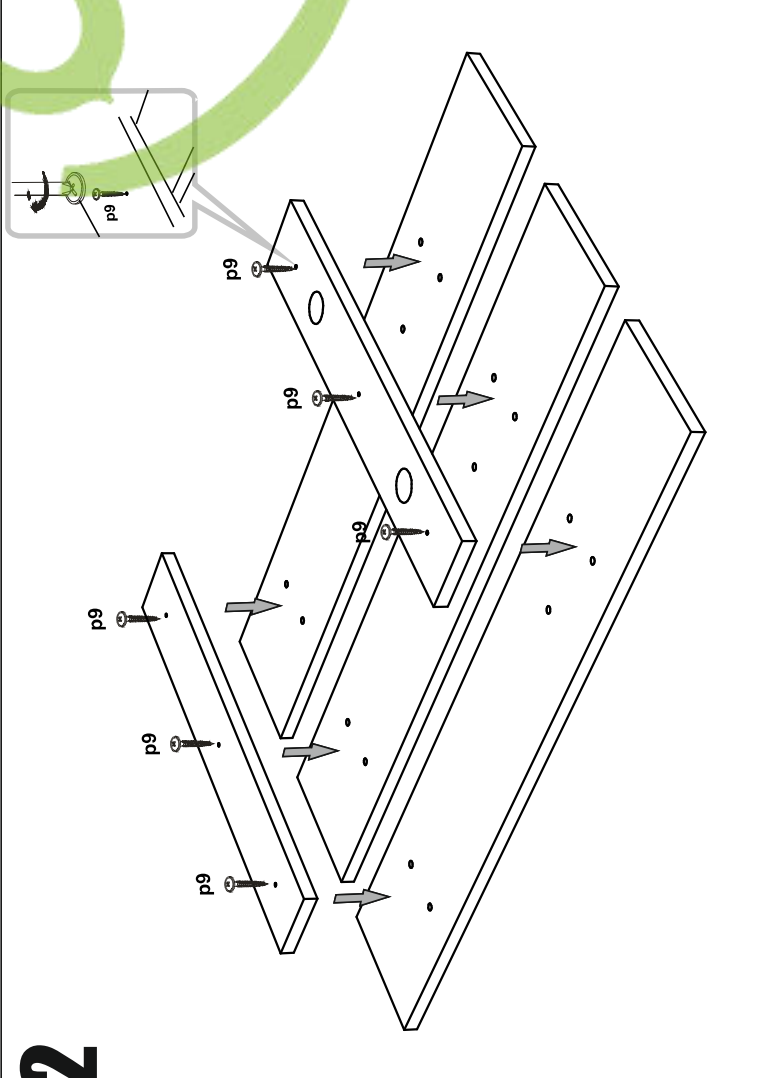
1



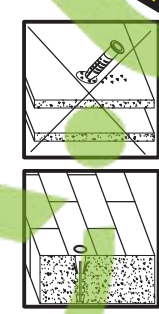
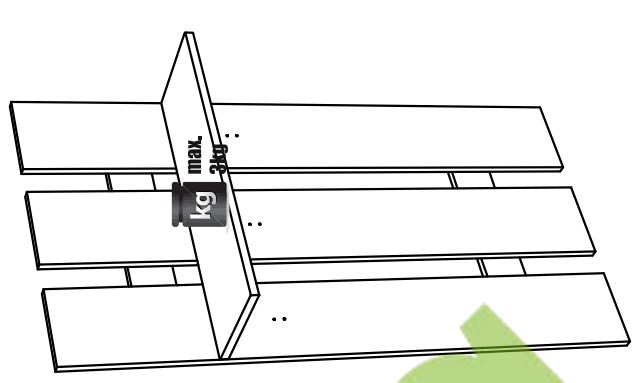
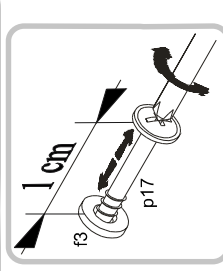
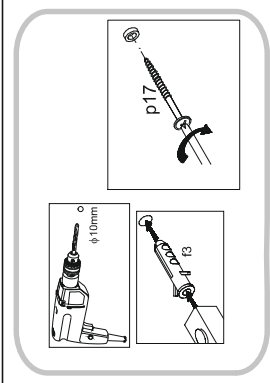
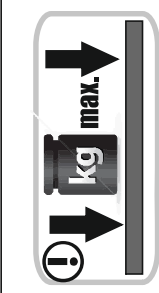
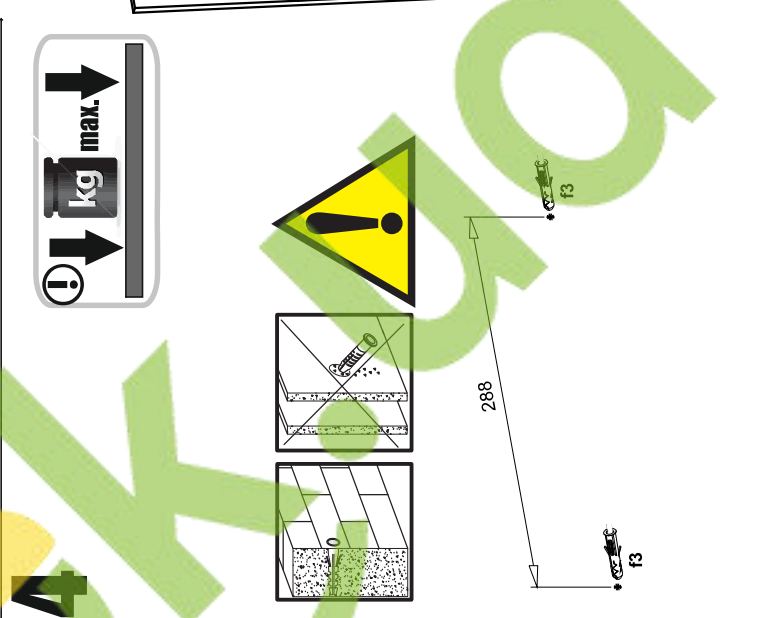
3



2



4



288

kg max.

kg