

LARGO Classic

REG2W, REG2W1D - FRN1

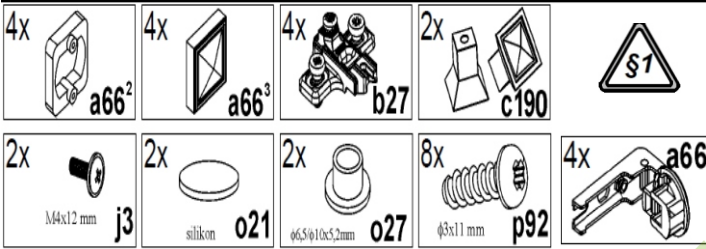
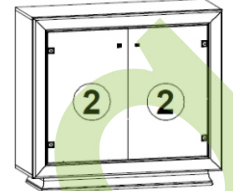
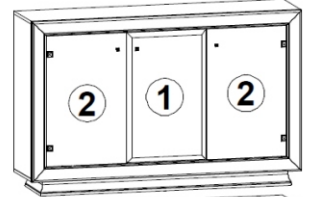
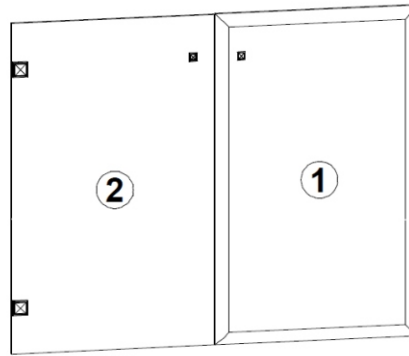
A	B	C	D
---	---	---	---

REG2W1D

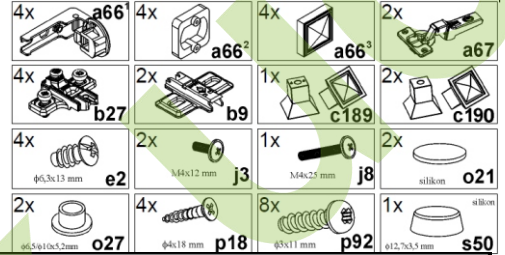
1	S56-021	446	716	5/6
2	S56-023	716	448	6/6

REG2W

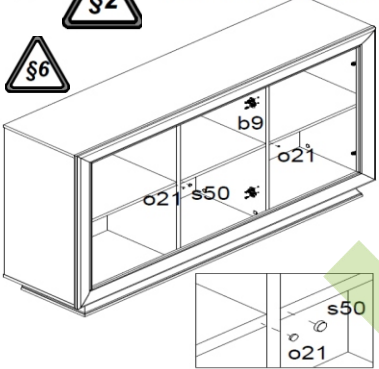
2	S56-023	716	448	4/5
---	---------	-----	-----	-----



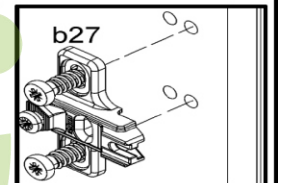
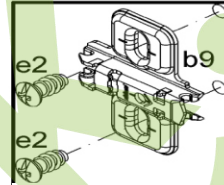
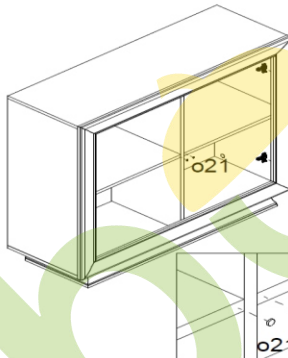
REG2W, REG2W1D



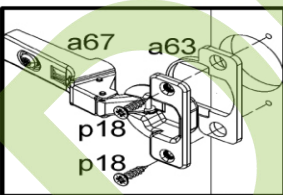
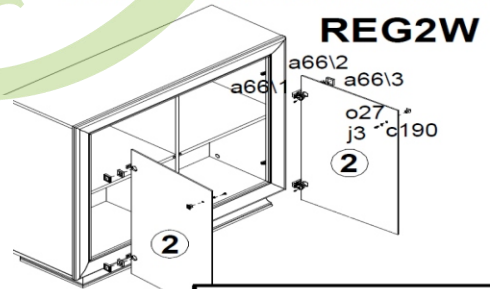
1 REG2W1D



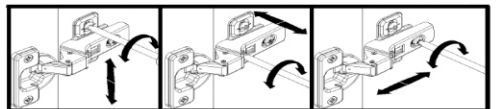
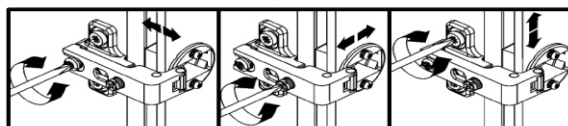
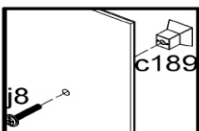
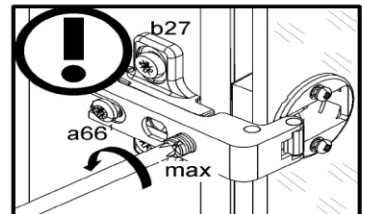
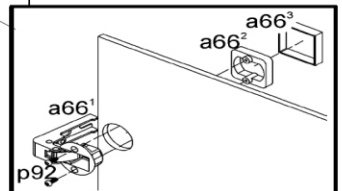
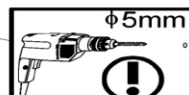
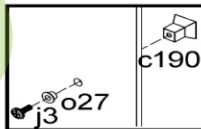
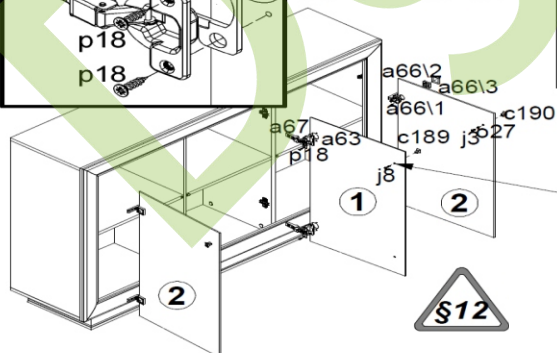
REG2W



§10



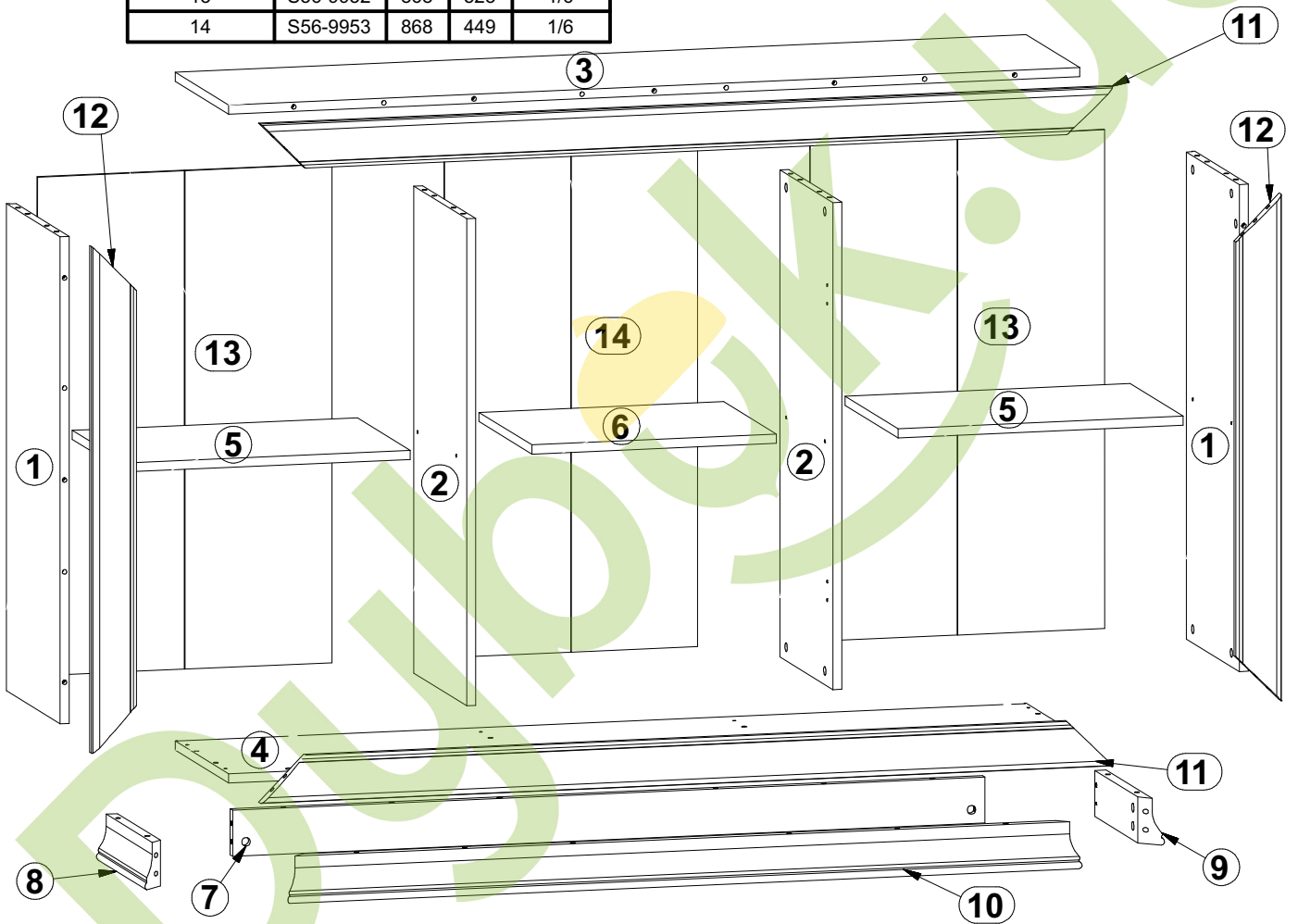
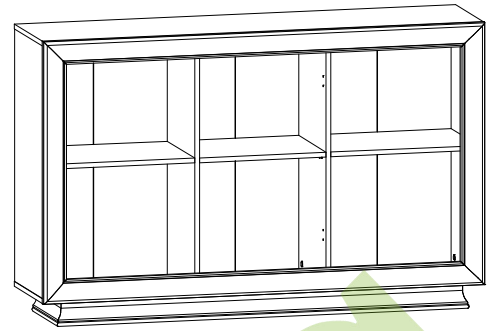
REG2W1D



LARGO Classic REG2W1D; REG3D



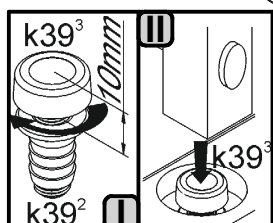
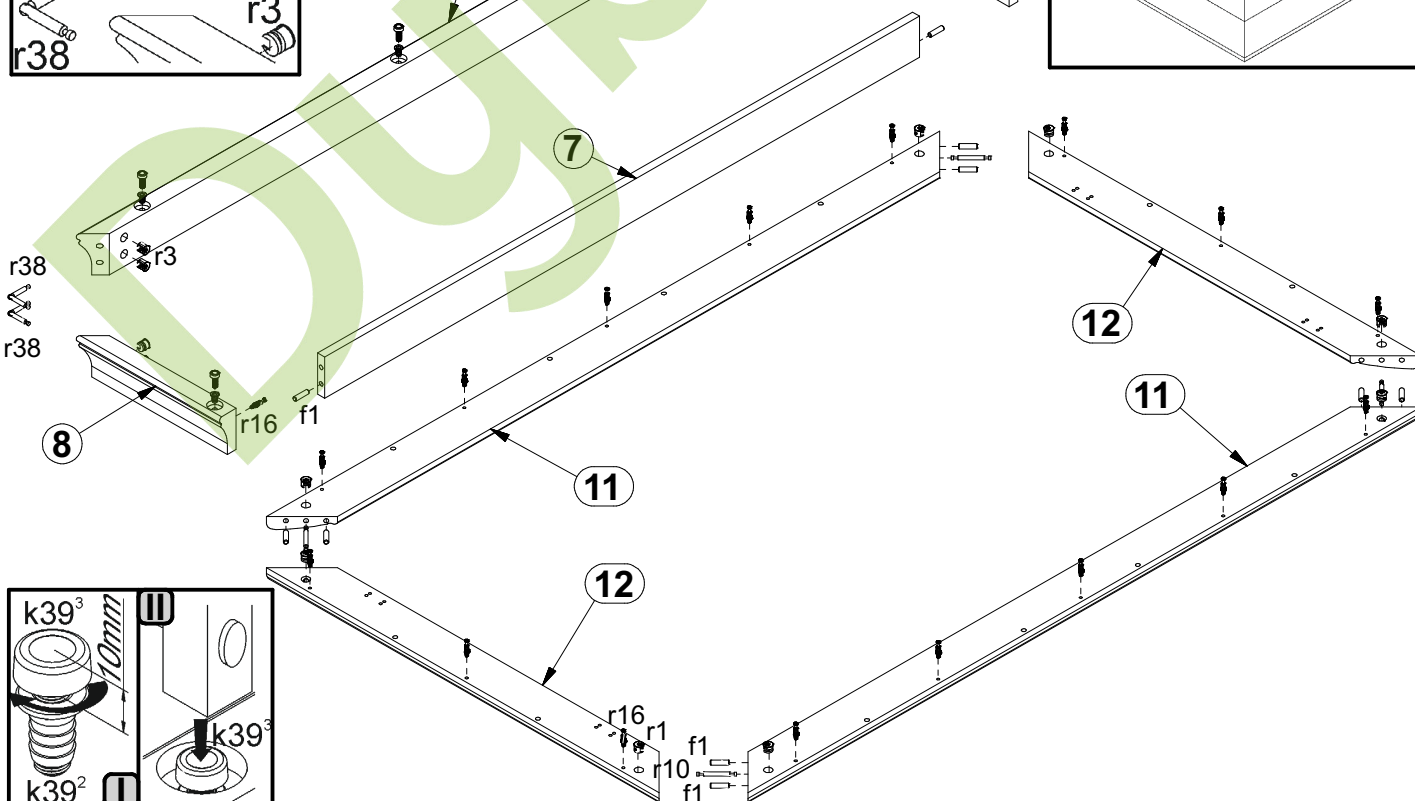
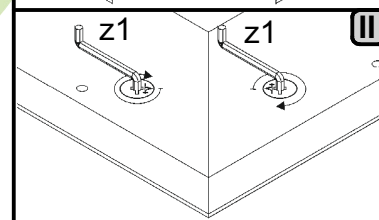
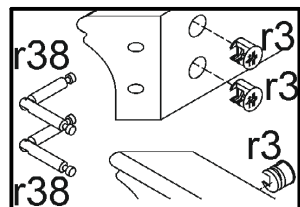
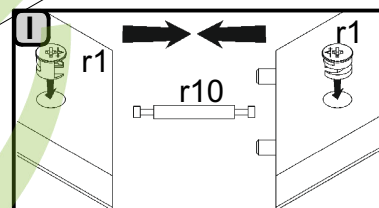
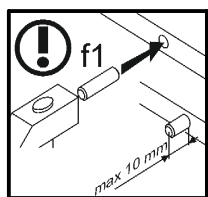
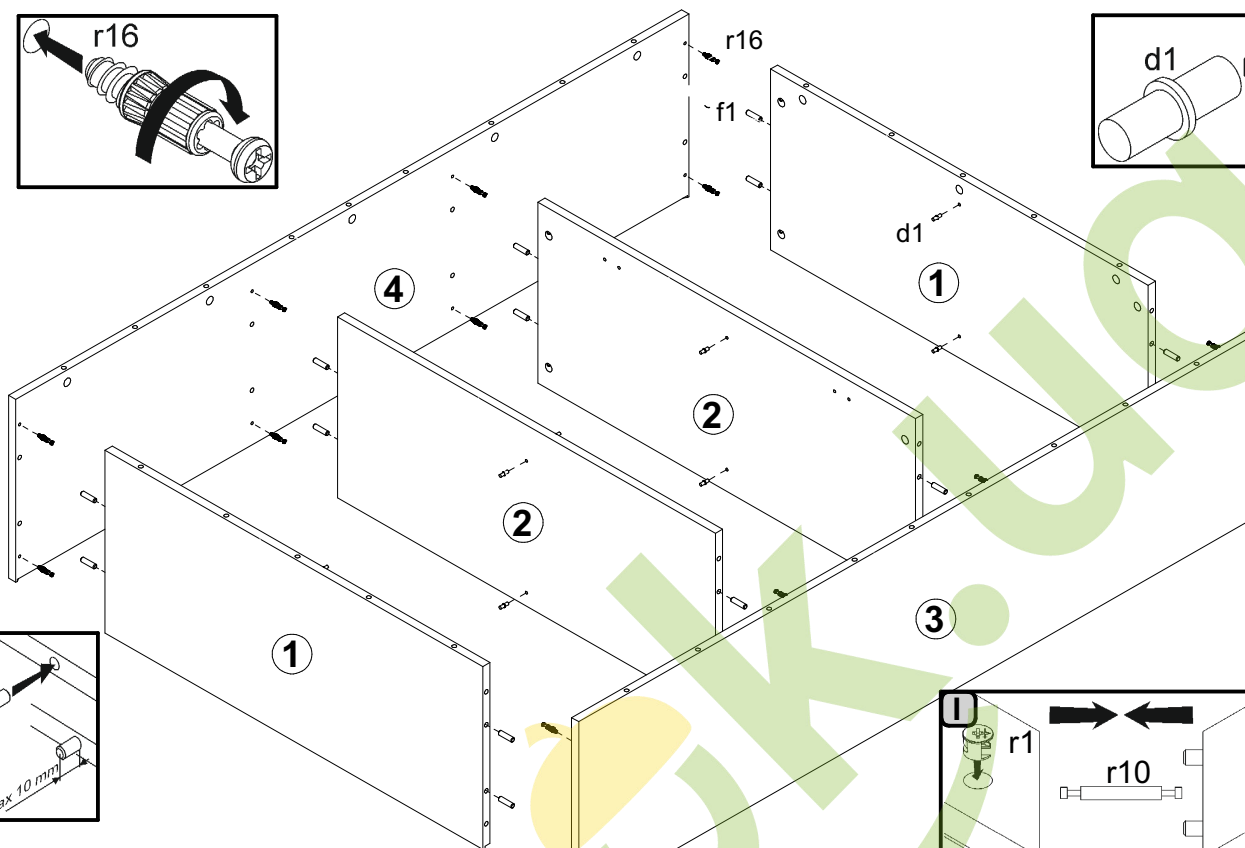
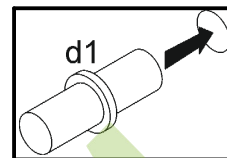
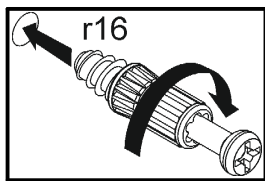
	A	B	C	D
1	S56-1104	848	351	1/6
2	S56-105	848	351	1/6
3	S56-2207	1511	351	2/6
4	S56-2208	1511	351	2/6
5	S56-301	506	351	2/6
6	S56-302	434	351	2/6
7	S56-403	1336	80	2/6
8	S56-452	322	80	4/6
9	S56-453	322	80	4/6
10	S56-455	1410	80	4/6
11	S56-573	1512	80	3/6
12	S56-574	882	80	3/6
13	S56-9952	868	523	1/6
14	S56-9953	868	449	1/6



12x $\phi 5 \times 17 \text{ mm}$ d1	54x $\phi 8 \times 30 \text{ mm}$ f1	5x $M6 \phi 8 \times 14 \text{ mm}$ k39²	5x $M6 \phi 22 \text{ mm}$ k39³	70x l1	42x $\phi 1.5 \times 12 \text{ mm} \#16$ r1	8x $\phi 1.5 \times 15 \text{ mm} \#22$ r3	4x r10	34x r16
4x r38	16x $\phi 16$ s2	1x GLUE y1	1x z1	1x n26¹	1x $\phi 3.5 \times 16 \text{ mm}$ p38			

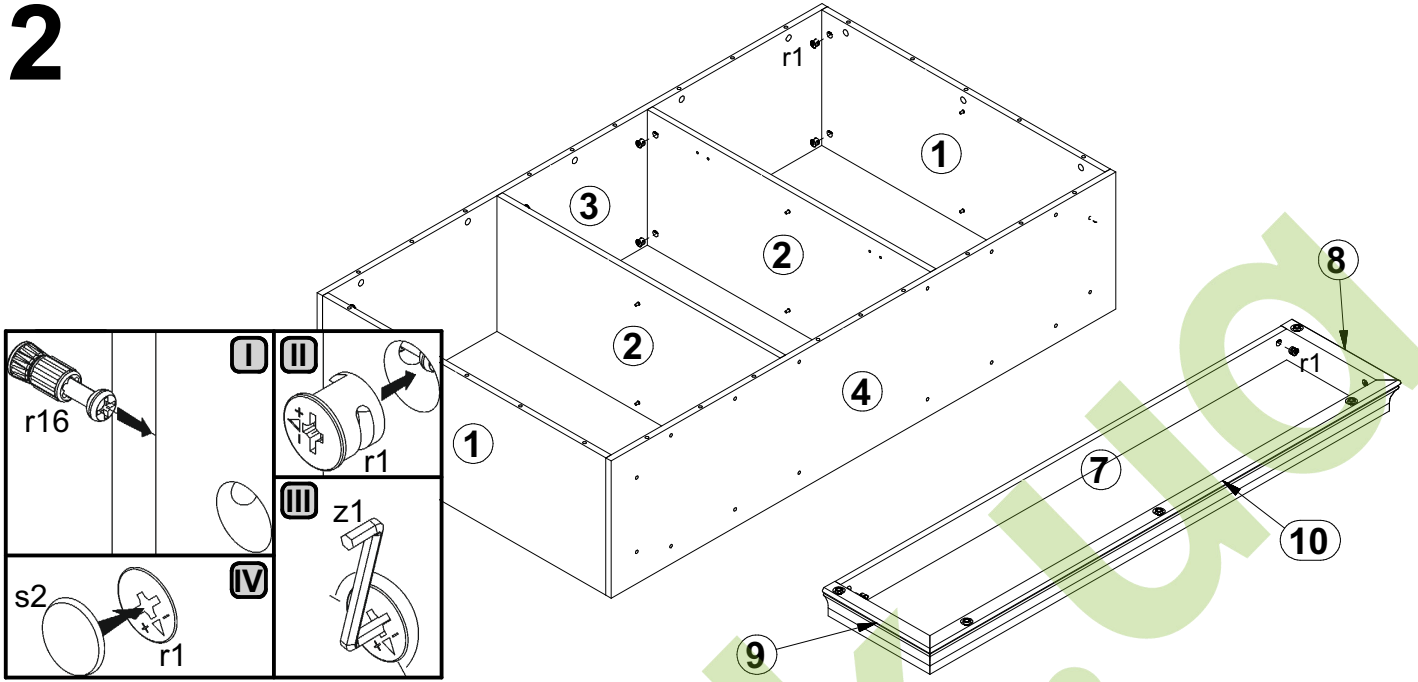


1

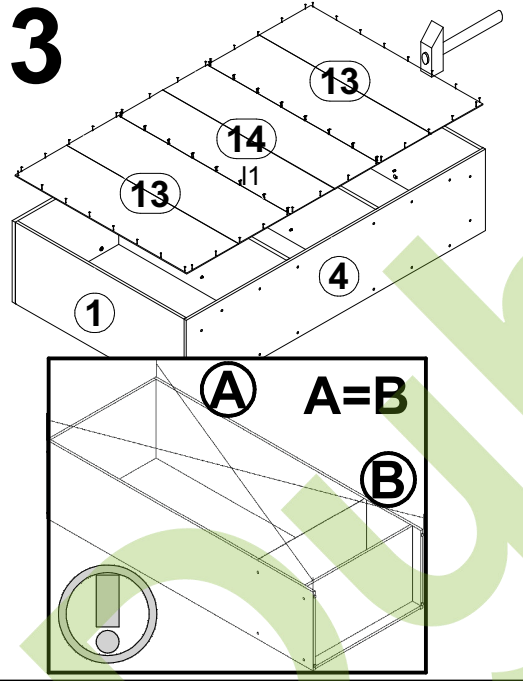




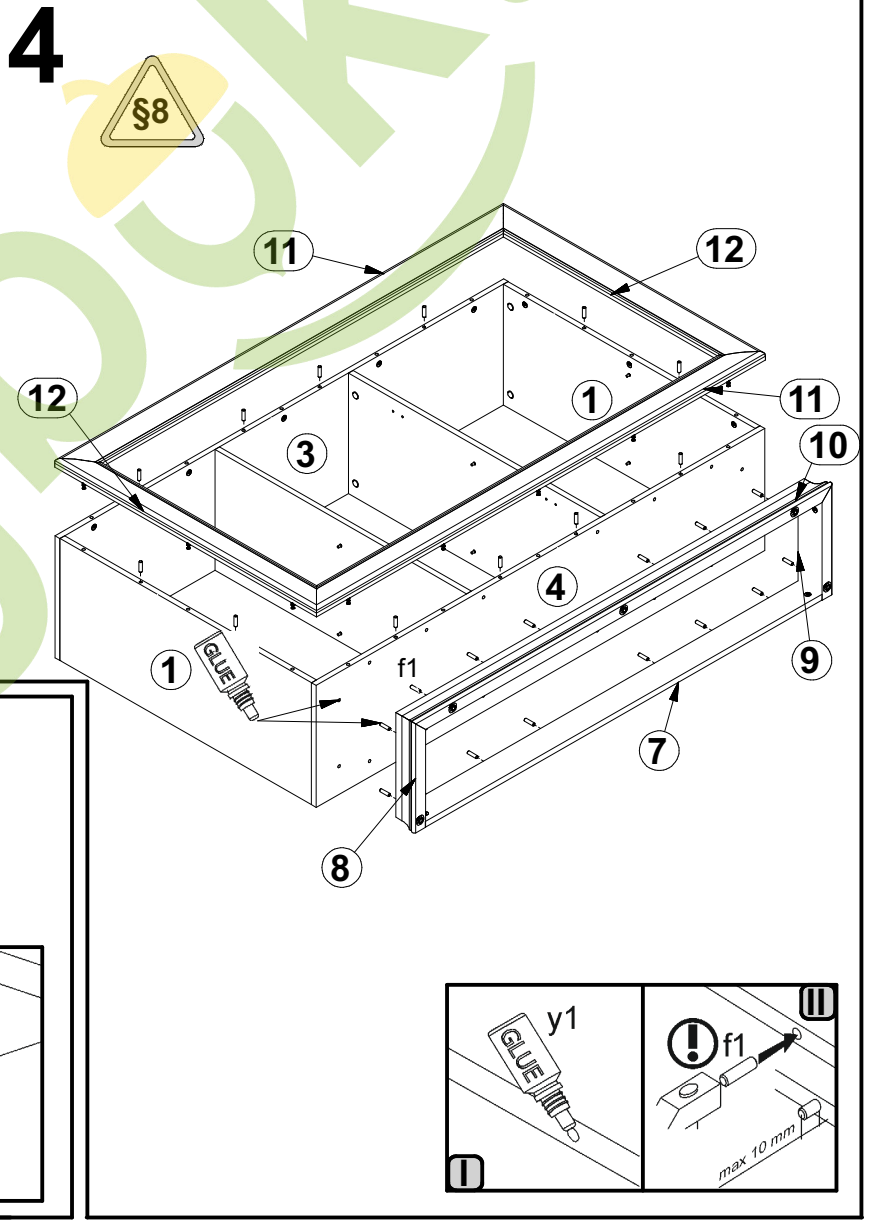
2



3



4



5

