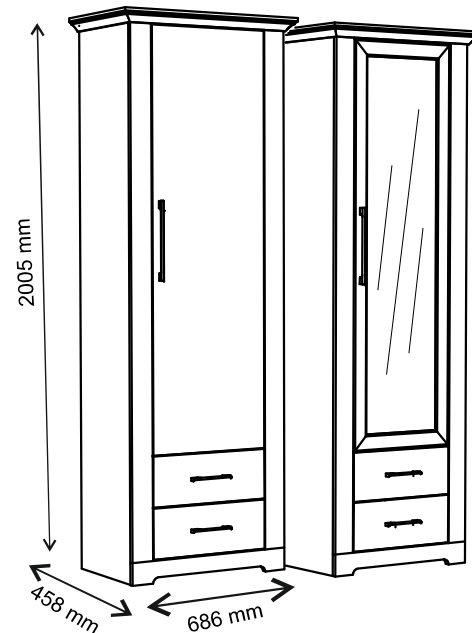
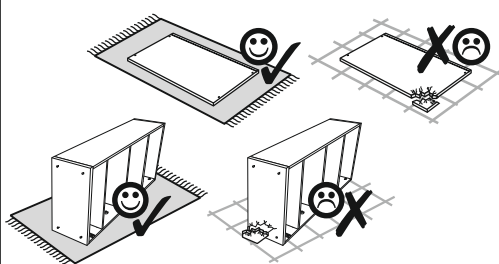
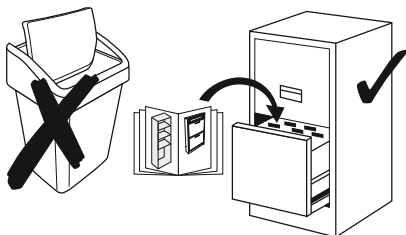
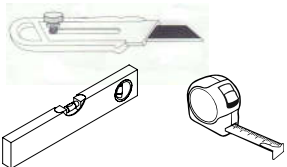
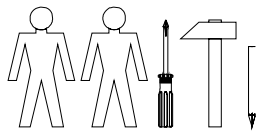




Installation manual

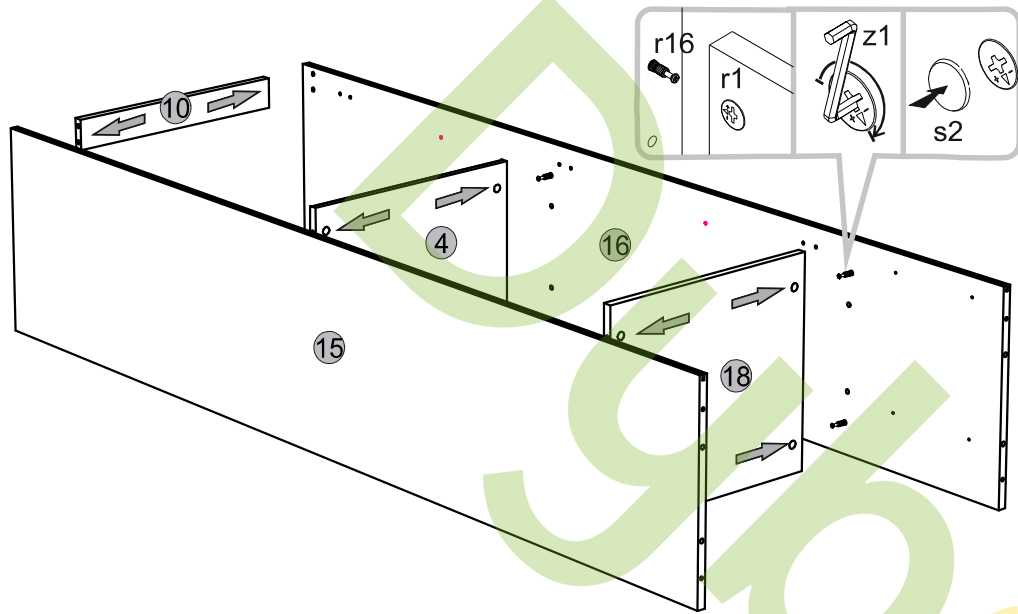
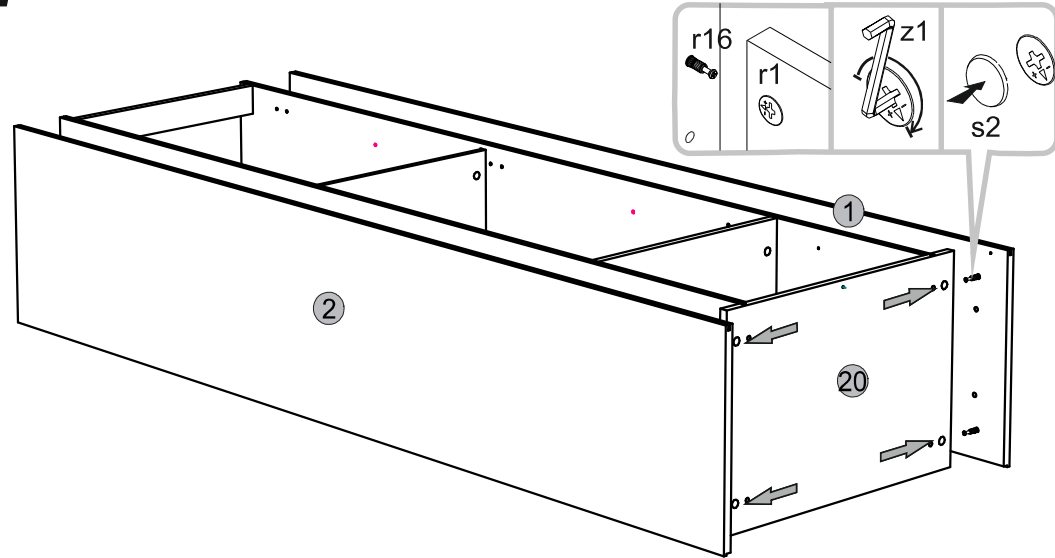
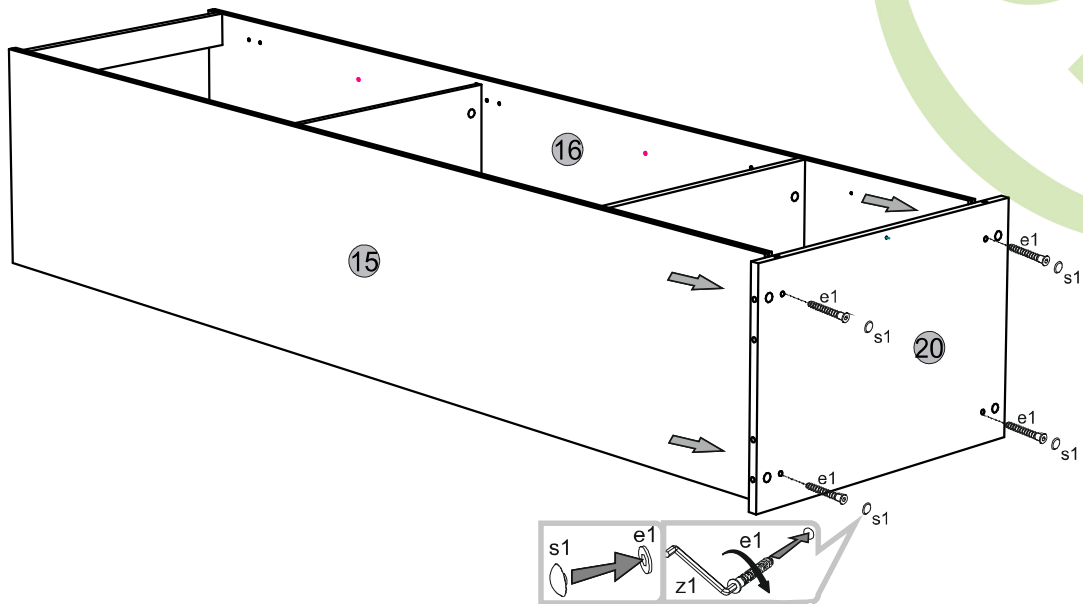
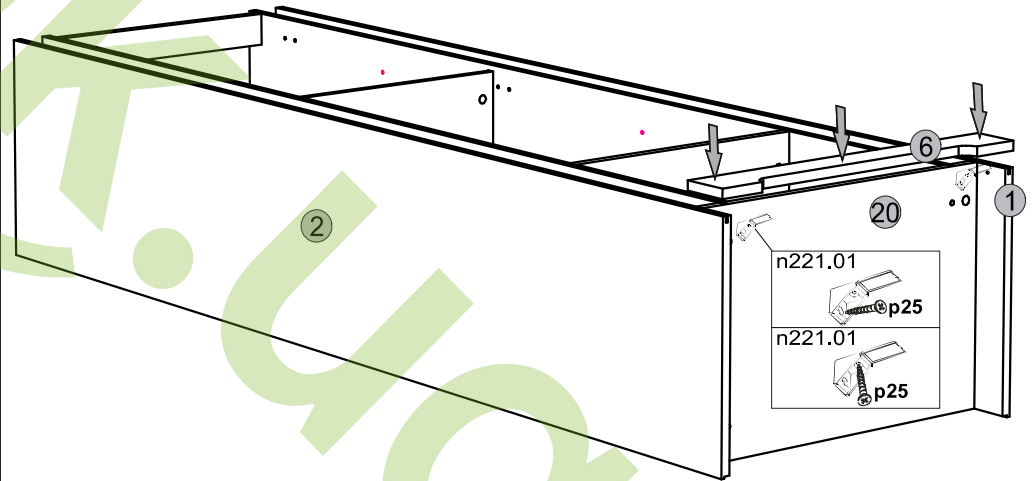
ARSAL: REG 1D2S, WIT 1W2S

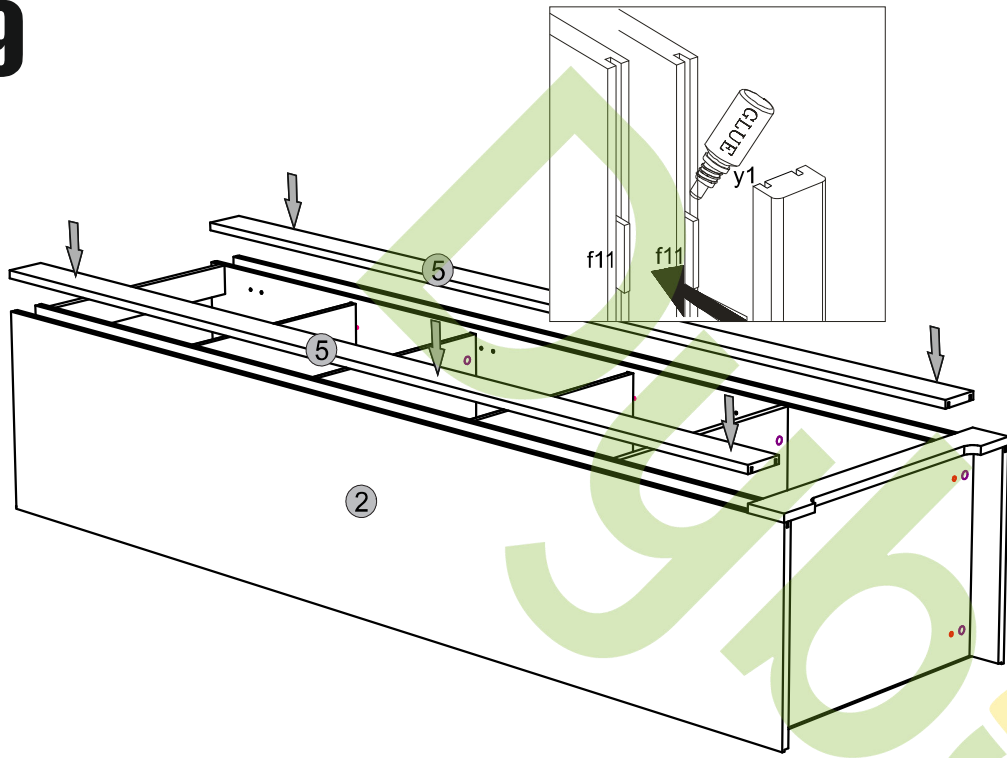
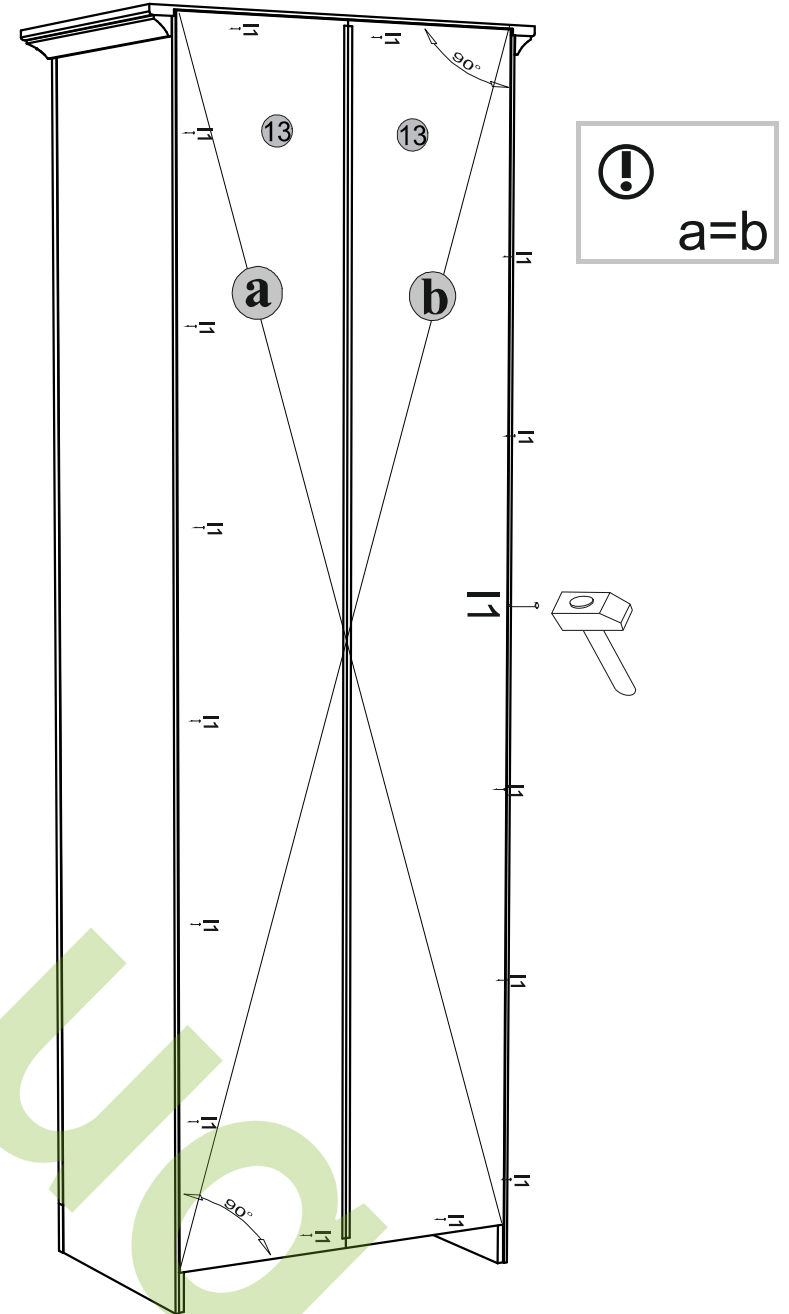
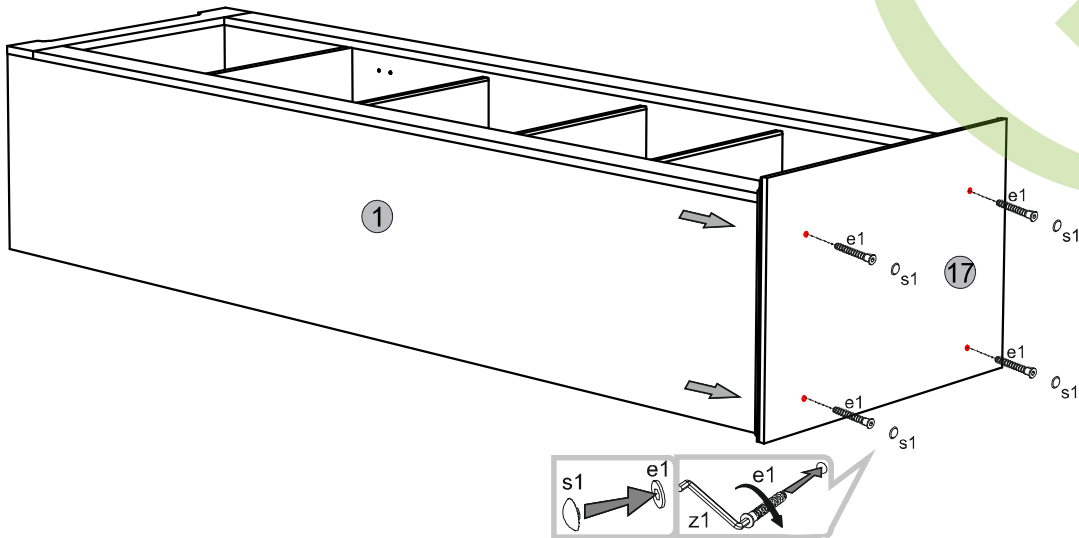


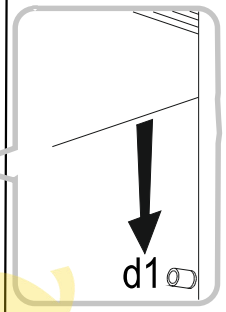
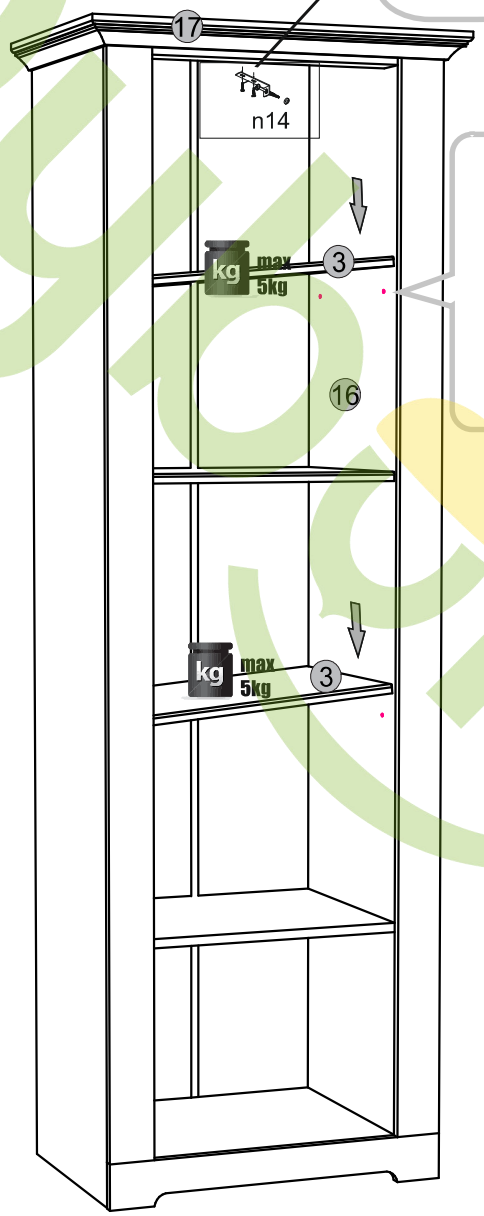
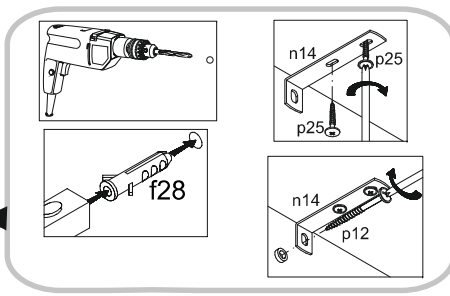
Element symbol	Dimensions			Code	Package
1	1984	404	16	1 REG_1W2S_1D2S_2S.001	1/1
2	1984	404	16	1 REG_1W2S_1D2S_2S.002	1/1
3	454	390	16	2 REG_1W2S_1D2S_2S.008	2/2
4	454	390	16	1 REG_1W2S_1D2S_2S.009	2/2
5	1904	80	16	2 REG_1W2S_1D2S_2S.010	1/1
6	612	80	16	1 REG_1W2S_1D2S_2S.012	1/1
7	396	120	16	2 REG_1W2S_1D2S_2S.013	2/2
8	350	120	16	2 REG_1W2S_1D2S_2S.014	2/2
9	350	120	16	2 REG_1W2S_1D2S_2S.015	2/2
10	454	60	16	1 REG_1W2S_1D2S_2S.016	2/2
11	1502	446	16	1 REG_1W2S_1D2S_2S.028	3/3
12	446	180	16	1 REG_1W2S_1D2S_2S.029	2/2
13	1929	298	3	2 REG_1W2S_1D2S_2S.017	1/1
14	414	352	3	2 REG_1W2S_1D2S_2S.018	1/1
15	1904	401	16	1 REG_1W2S_1D2S_2S.003	1/1
16	1904	401	16	1 REG_1W2S_1D2S_2S.004	1/1
17	686	458	16/46	1 REG_1W2S_1D2S_2S.005	2/2
18	454	401	16	1 REG_1W2S_1D2S_2S.007	2/2
19	446	180	16	1 REG_1W2S_1D2S_2S.011	2/2
20	578	401	16	1 REG_1W2S_1D2S_2S.006	2/2

- 1x z1
- 1x n14
- 1x f28
- 1x p12
- 36x p25
- 2x L-350
- 1x y1
- 2x n221.01
- 34x f1
- 8x d1
- 60x l1
- 4x k1
- 16x e1
- 16x s1
- 6x s4
- 12x f11
- 2x 2419/128
- 1x 2419/256
- 6x j8
- 3x a143
- 3x b119
- 20x s2
- 20x r1
- 20x r16

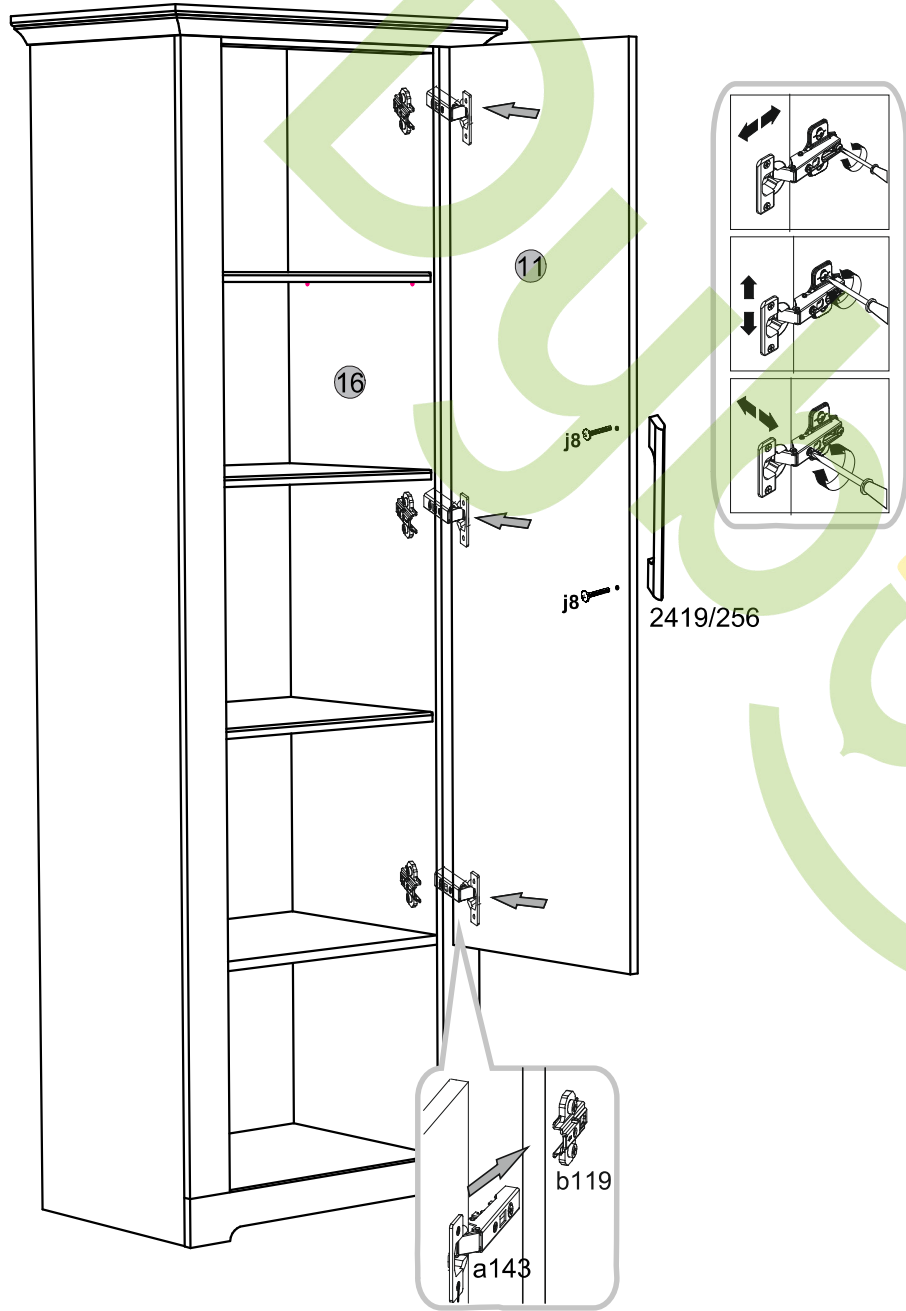


5**7****6****8**

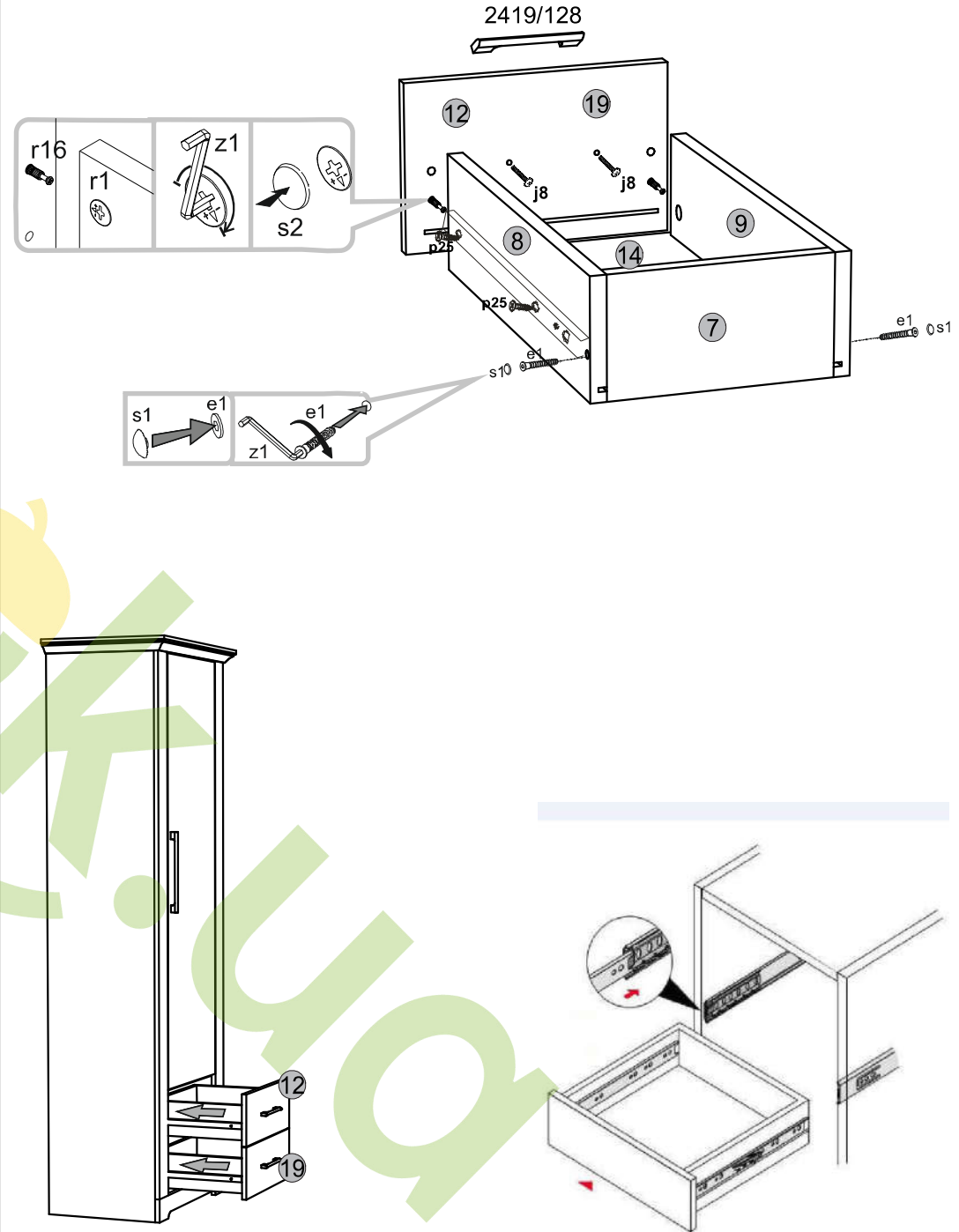
9**11****10**



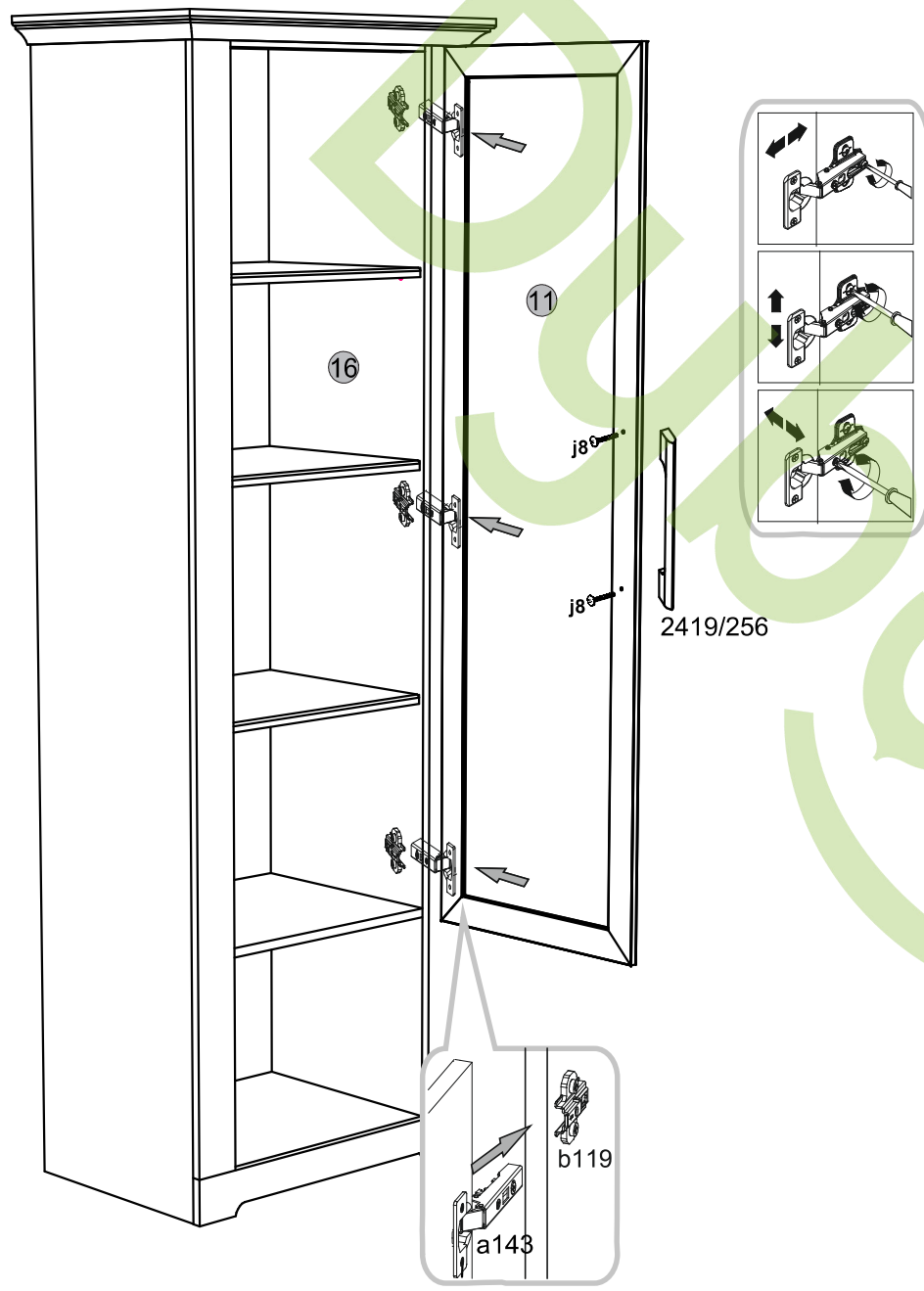
13



14



13



14

