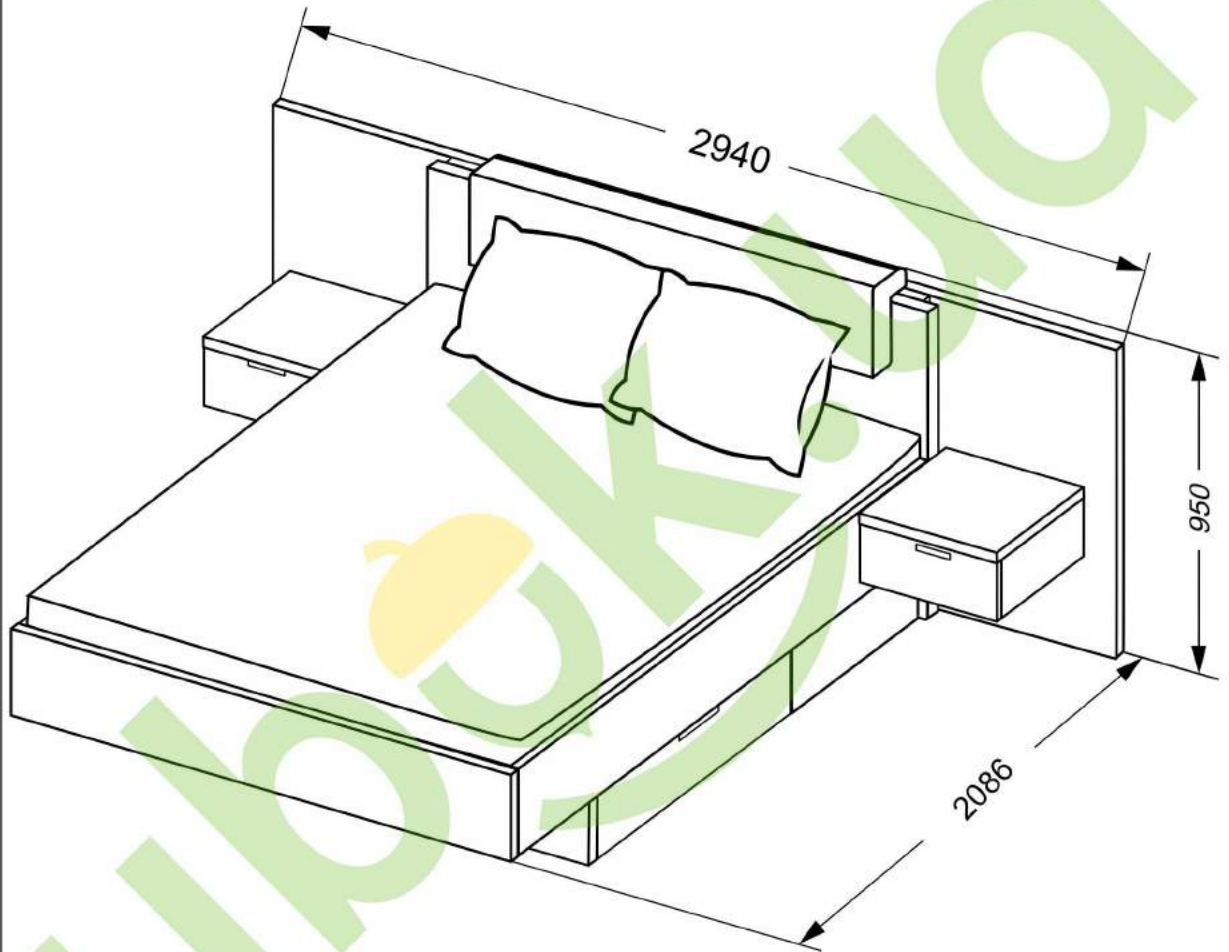
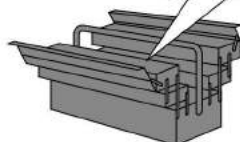
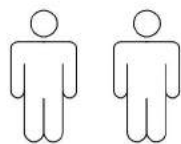


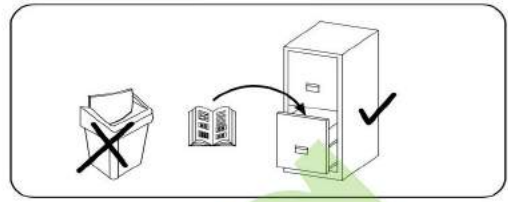
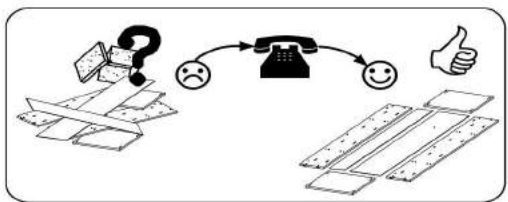
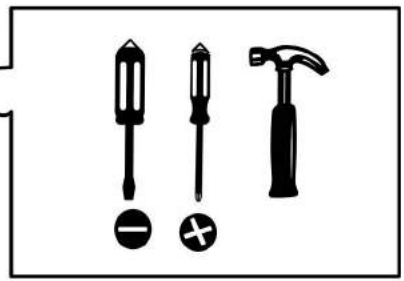
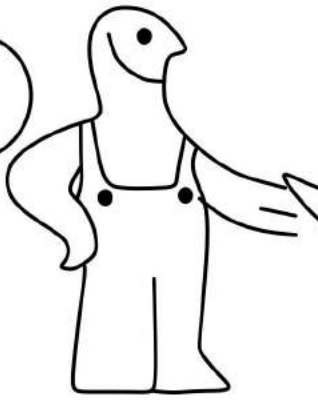
UA



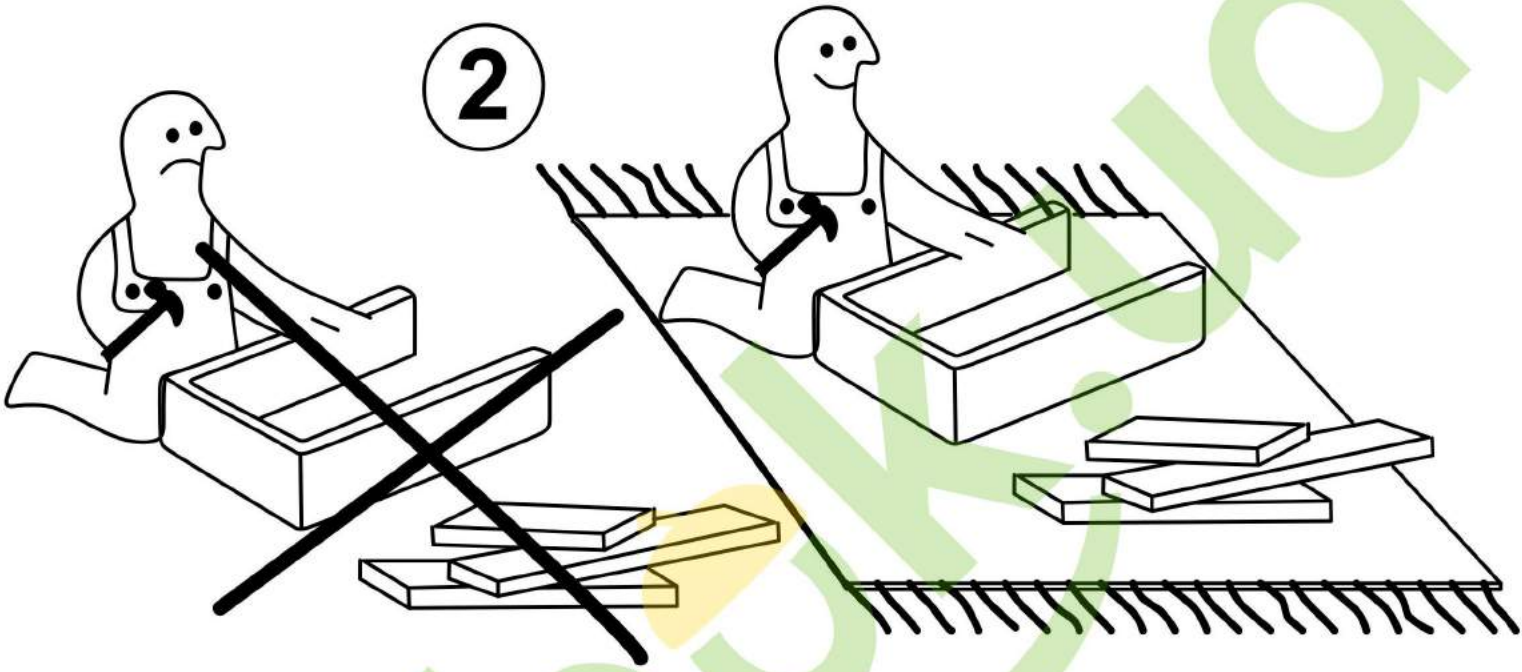
T9082



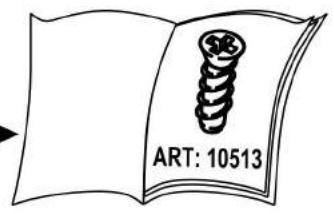
1



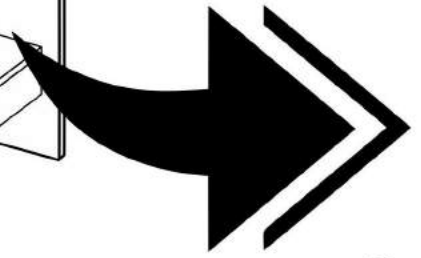
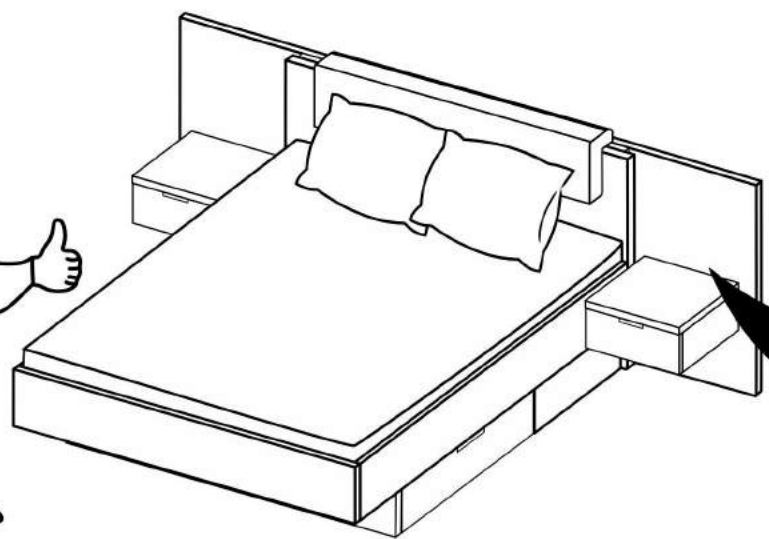
2





3

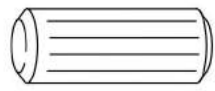


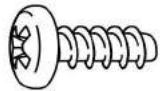
4




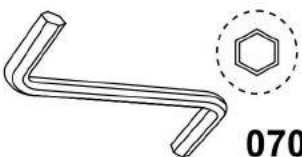
① x38  
11002  



② x46  
11016  



③  $\varnothing 8 \times 30$  x88  
21008  



④  $\varnothing 6.3 \times 11.5$  x36  
10612  


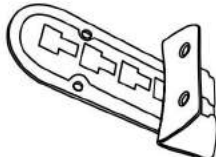
⑤  $\varnothing 5 \times 13$  x36  
10513  


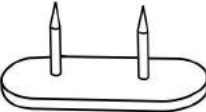
⑥ x1  
07001  


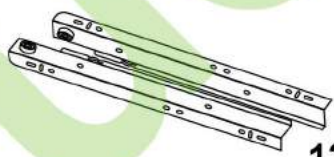
⑦  $\varnothing 7 \times 70$  x1  
07770  


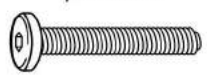
⑧  $\varnothing 6,4 \times 50$  x16  
07650  



⑨ x1  
14023  


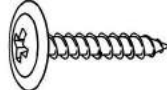
⑩ x8  
04007  



⑪ x14  
14011  



⑫ x2  
12006  


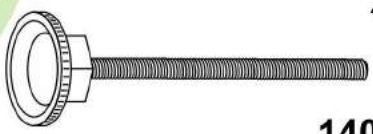
⑬  $\varnothing 6 \times 30$  x2  
10630  


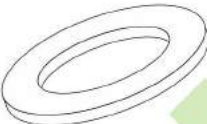
⑭ x2  
05029  


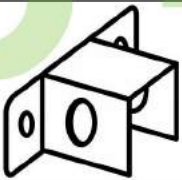
⑮  $\varnothing 4.2 \times 32$  x3  
10432  


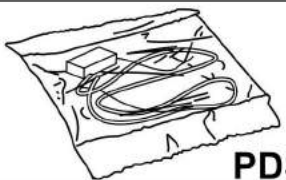
⑯ x4  
19057  



⑰  $\varnothing 4.2 \times 13$  x12  
10413  



⑱ x1  
14021  


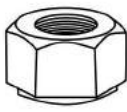
⑲ x1  
02008  


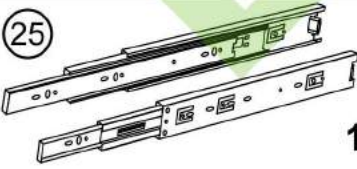
⑳ x2  
05033  



㉑ x1  
PDSV-16  



㉒ x8  
11006  


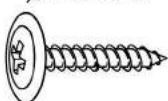
㉓  $\varnothing 6 \times 40$  x6  
10640  


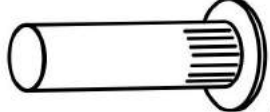
㉔ M6 x2  
02600  



㉕ x2  
12350  


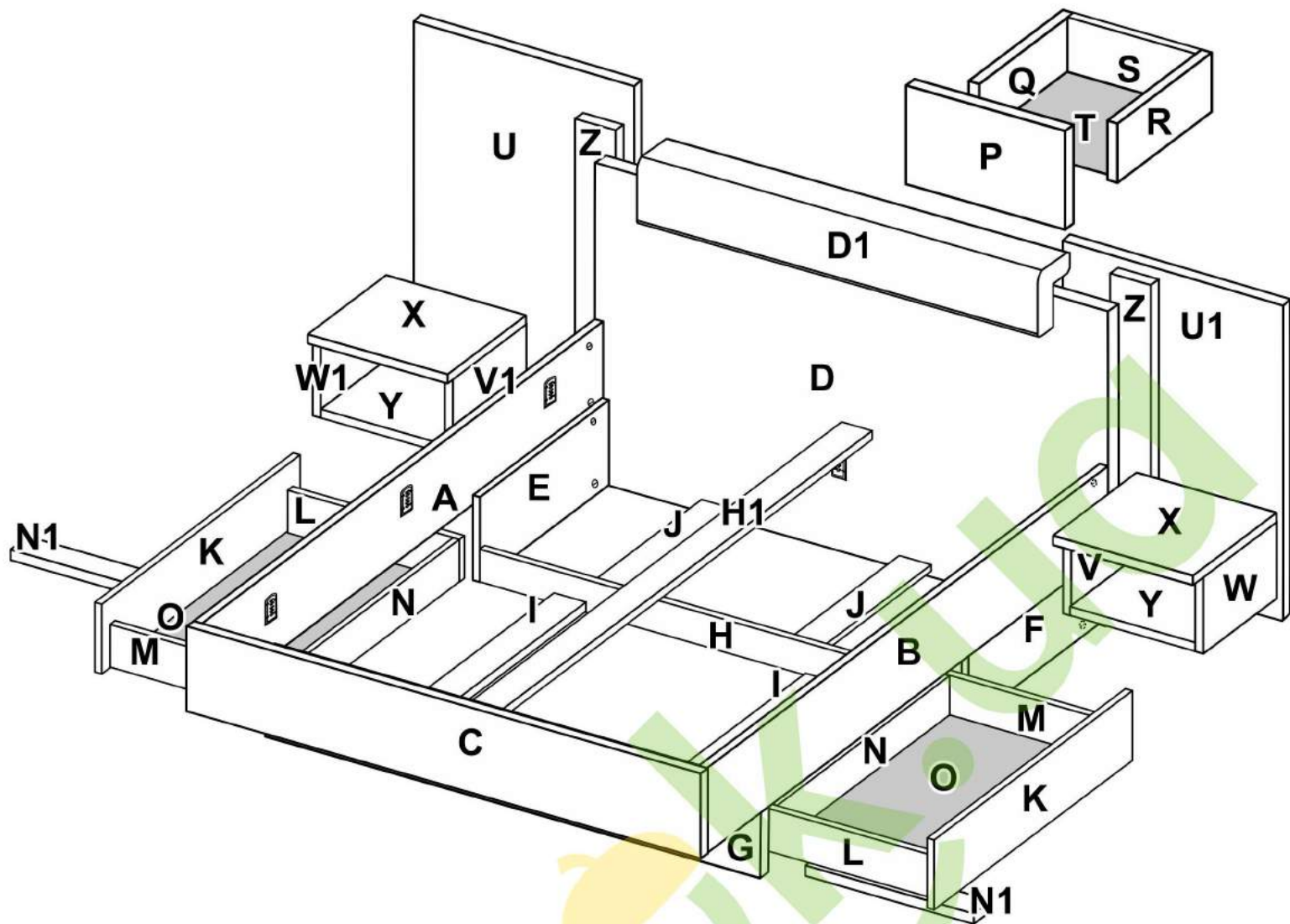
㉖  $\varnothing 3.5 \times 15$  x12  
10315  


㉗  $\varnothing 4 \times 16$  x4  
10416  


㉘  $\varnothing 4.2 \times 25$  x4  
10426  


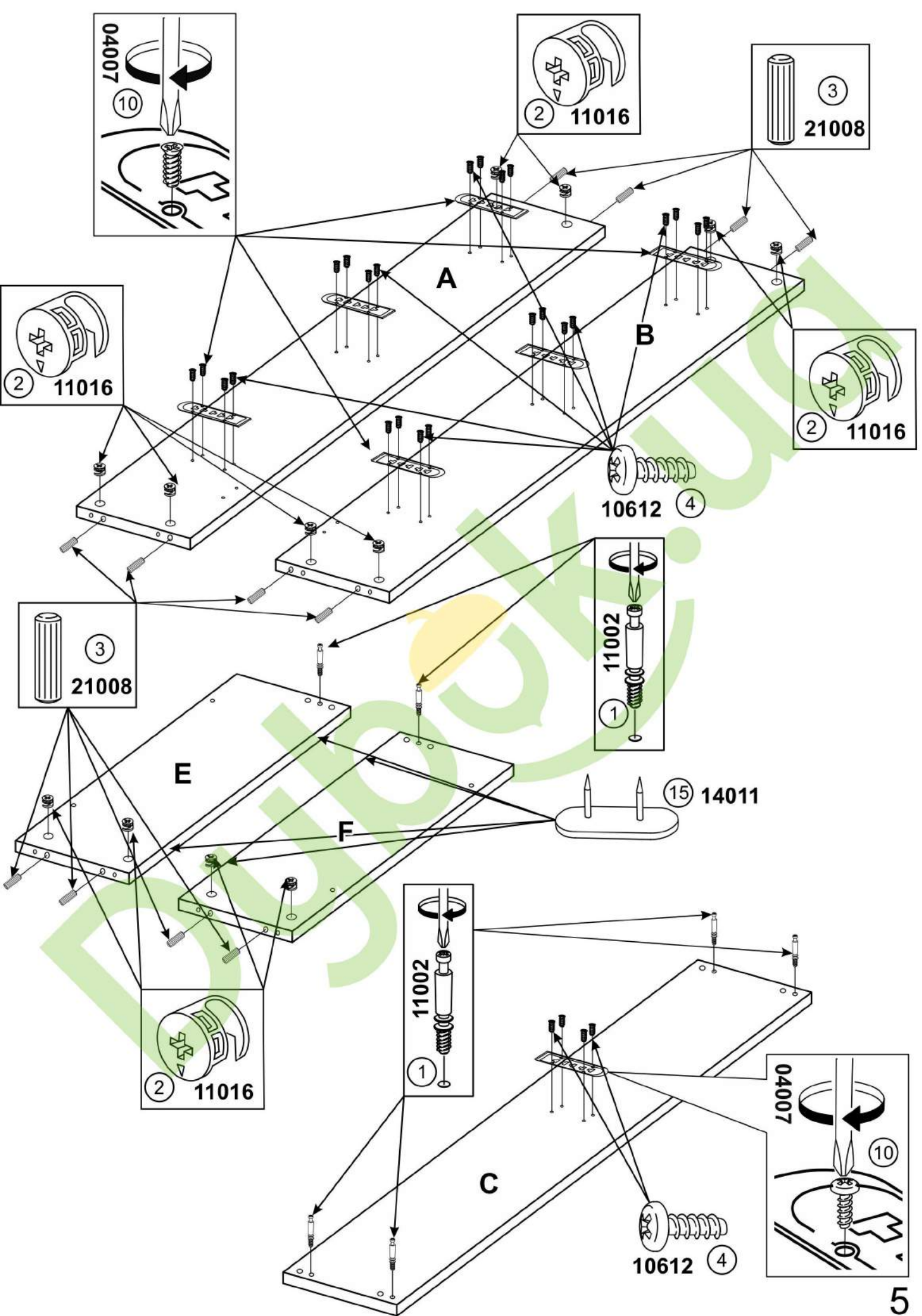
㉙ x2  
10013  


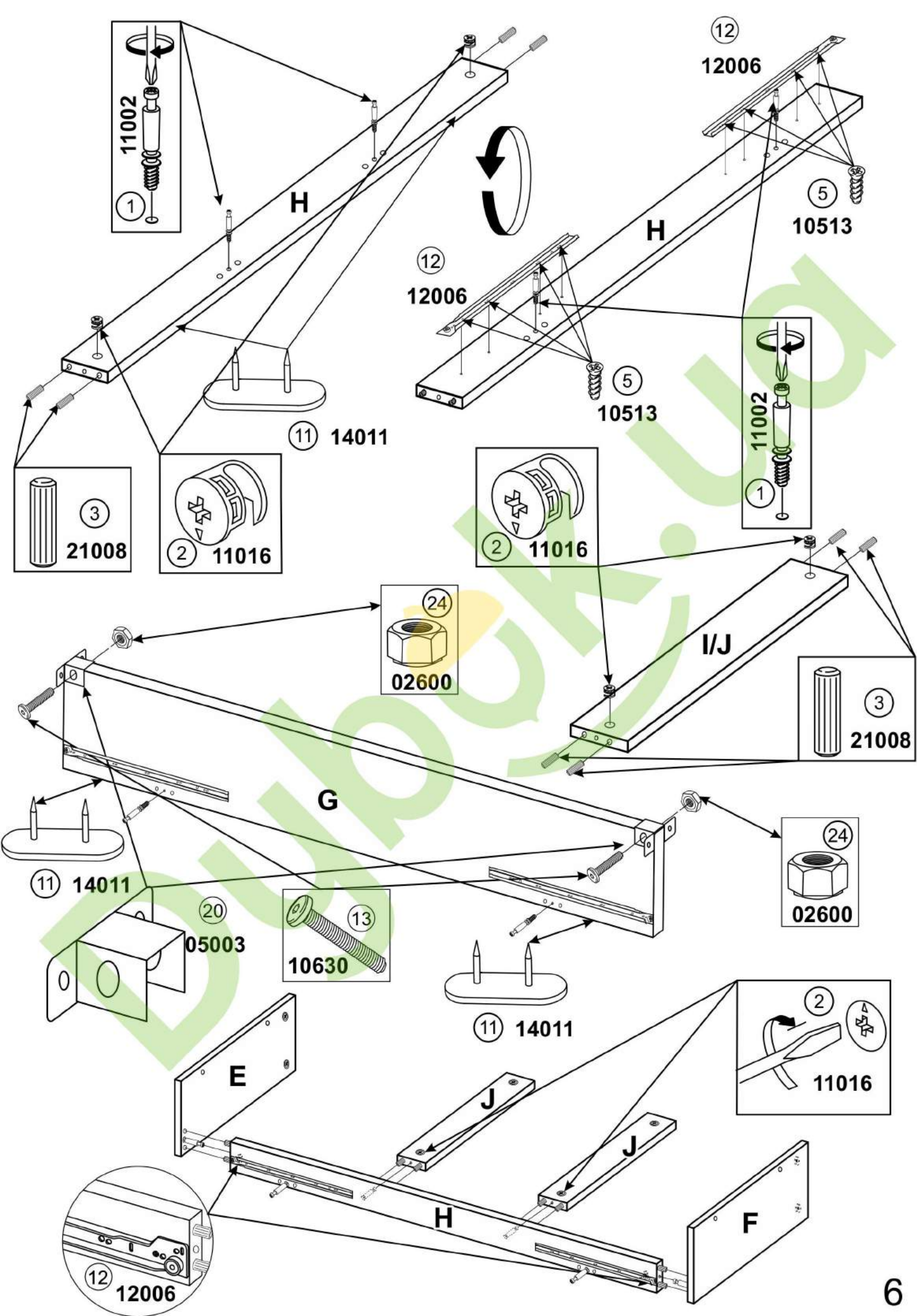
㉚ x2  
10012  


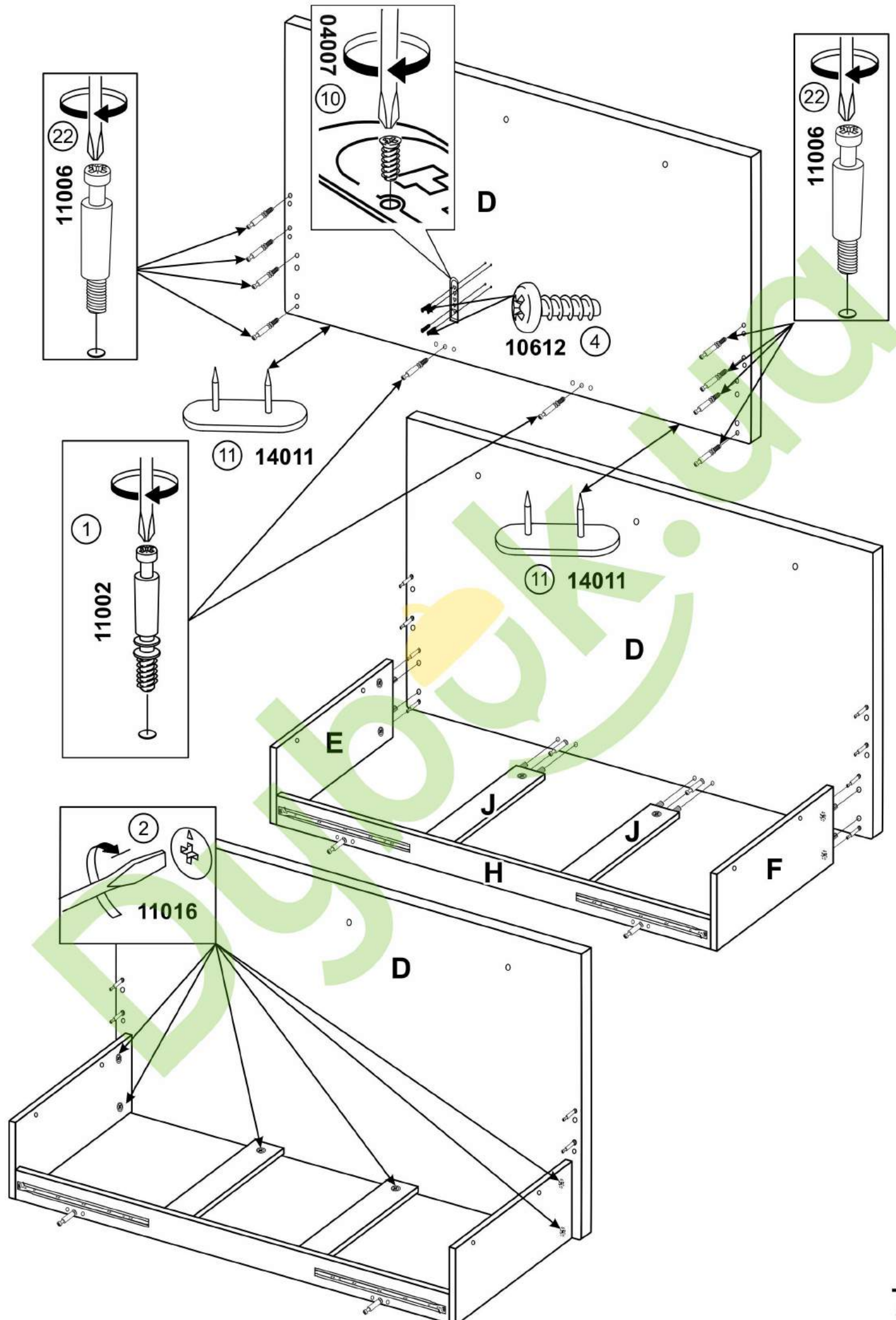


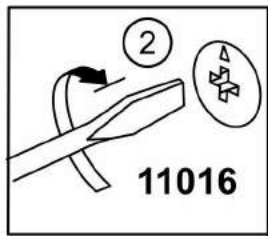
		No p.				No p.		
<b>A</b>	- 2020 x 230 x 16 - x 1	<b>1/6</b>	<b>N1</b>	- 584 x 80 x 16 - x 2	<b>6/6</b>	<b>O</b>	- 596 x 1074 x 3 - x 2	<b>3/6</b>
<b>B</b>	- 2020 x 230 x 16 - x 1	<b>1/6</b>	<b>P</b>	- 496 x 170 x 16 - x 2	<b>6/6</b>	<b>Q</b>	- 350 x 130 x 16 - x 2	<b>1/6</b>
<b>C</b>	- 1844 x 230 x 16 - x 1	<b>1/6</b>	<b>R</b>	- 350 x 130 x 16 - x 2	<b>5/6</b>	<b>S</b>	- 410 x 130 x 16 - x 2	<b>4/6</b>
<b>D</b>	- 1844 x 900 x 16 - x 1	<b>3/6</b>	<b>T</b>	- 442 x 346 x 3 - x 2	<b>3/6</b>	<b>U</b>	- 900 x 680 x 16 - x 1	<b>6/6</b>
<b>D1</b>	- 1590 x 250 x 95 - x 1	<b>5/6</b>	<b>U1</b>	- 900 x 680 x 16 - x 1	<b>6/6</b>	<b>V</b>	- 360 x 174 x 16 - x 1	<b>1/6</b>
<b>E</b>	- 650 x 270 x 16 - x 1	<b>4/6</b>	<b>W</b>	- 360 x 174 x 16 - x 1	<b>1/6</b>	<b>V1</b>	- 360 x 174 x 16 - x 1	<b>1/6</b>
<b>F</b>	- 650 x 270 x 16 - x 1	<b>4/6</b>	<b>W1</b>	- 360 x 174 x 16 - x 1	<b>1/6</b>	<b>X</b>	- 500 x 380 x 16 - x 2	<b>6/6</b>
<b>G</b>	- 1810 x 270 x 16 - x 1	<b>4/6</b>	<b>X</b>	- 500 x 380 x 16 - x 2	<b>6/6</b>	<b>Y</b>	- 468 x 360 x 16 - x 2	<b>6/6</b>
<b>H</b>	- 1778 x 110 x 16 - x 1	<b>4/6</b>	<b>Y</b>	- 468 x 360 x 16 - x 2	<b>6/6</b>	<b>Z</b>	- 900 x 120 x 16 - x 2	<b>5/6</b>
<b>H1</b>	- 2007 x 70 x 25 - x 1	<b>1/6</b>	<b>Z</b>	- 900 x 120 x 16 - x 2	<b>5/6</b>			
<b>I</b>	- 1119 x 128 x 16 - x 2	<b>4/6</b>						
<b>J</b>	- 634 x 113 x 16 - x 2	<b>1/6</b>						
<b>K</b>	- 1113 x 225 x 16 - x 2	<b>1/6, 4/6</b>						
<b>L</b>	- 600 x 136 x 16 - x 2	<b>5/6</b>						
<b>M</b>	- 600 x 136 x 16 - x 2	<b>4/6</b>						
<b>N</b>	- 1063 x 136 x 16 - x 2	<b>4/6</b>						



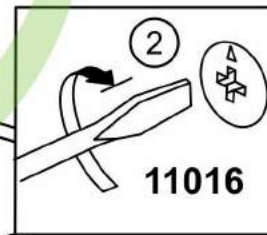
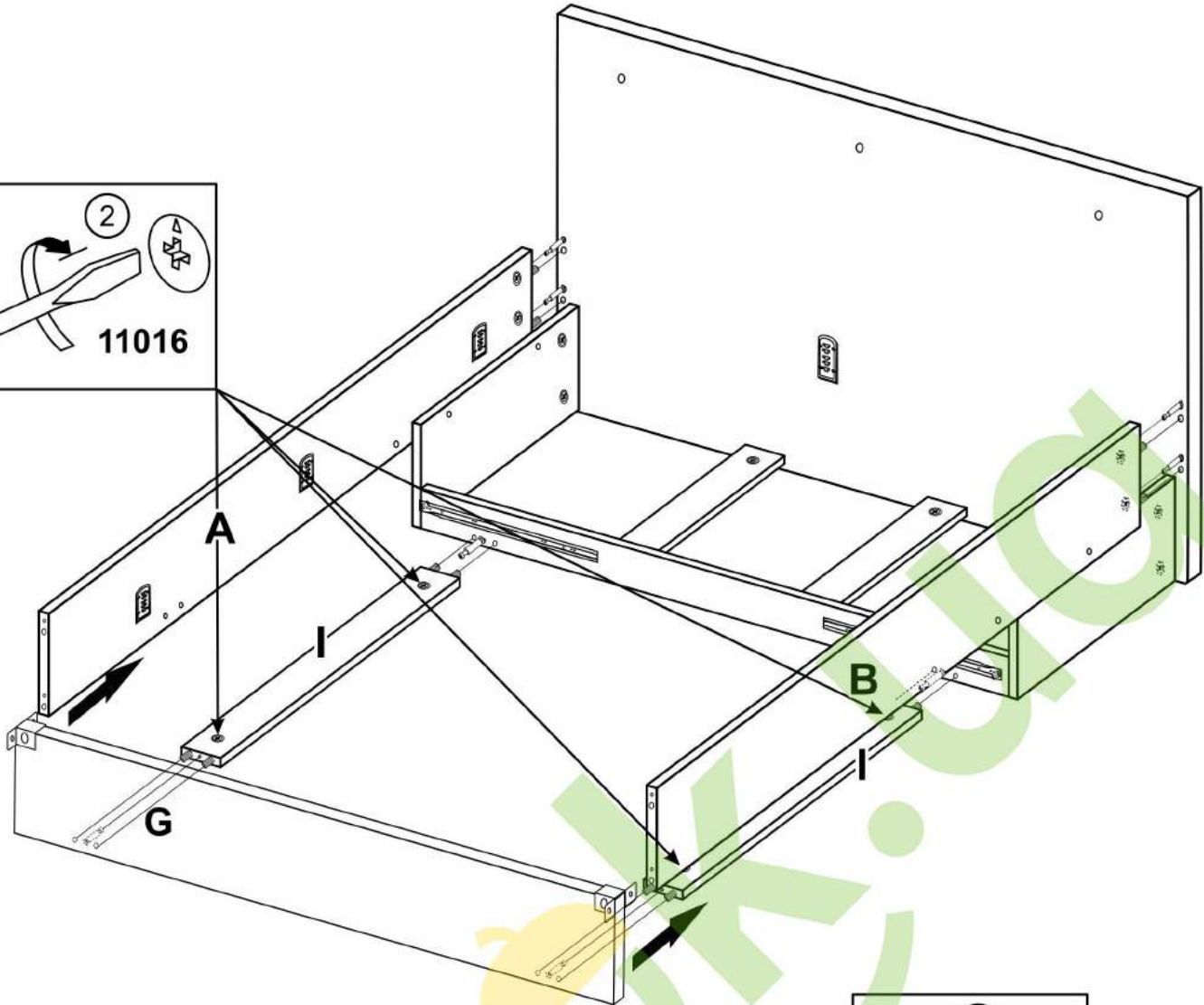








11016



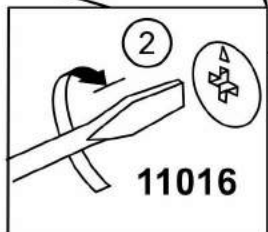
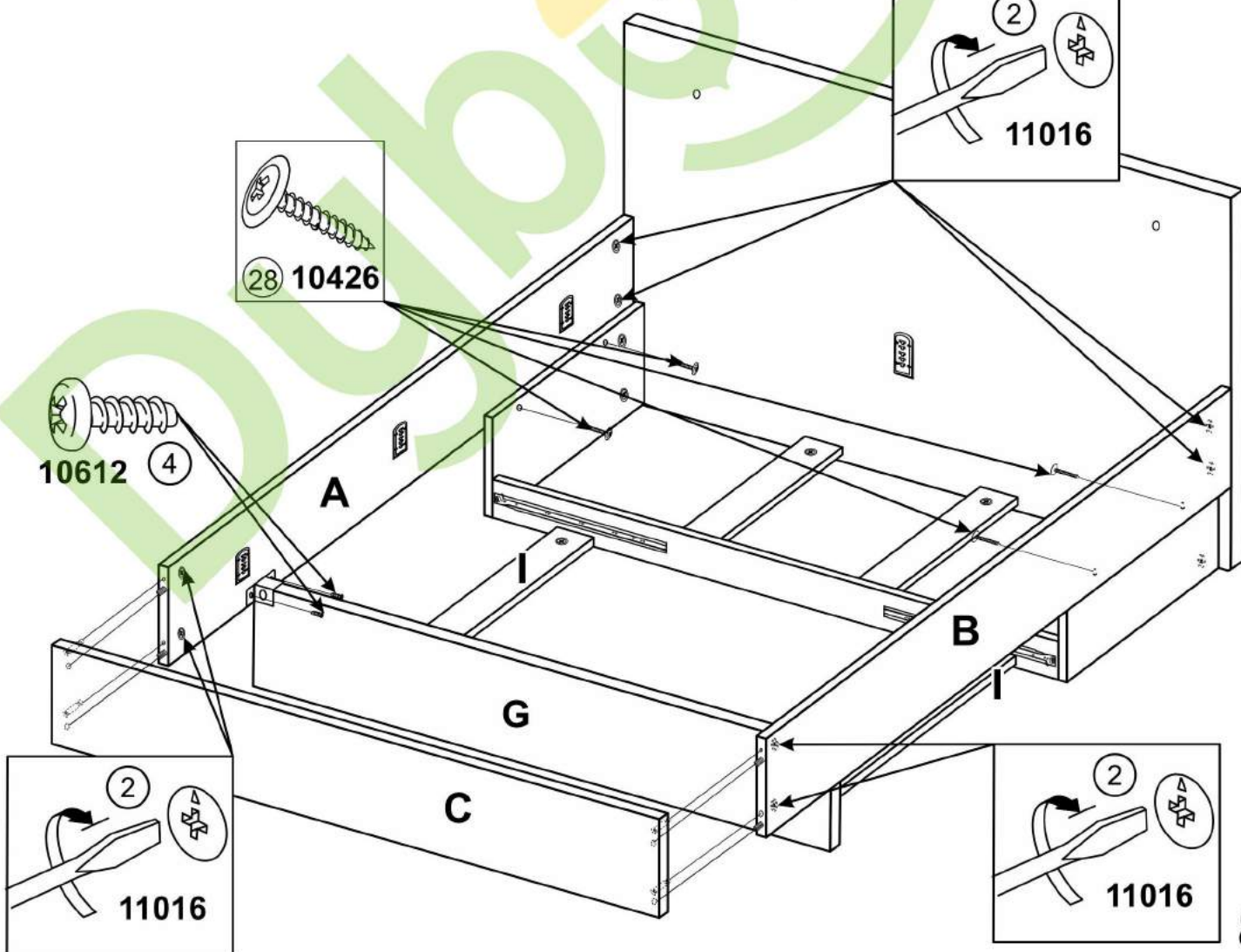
11016



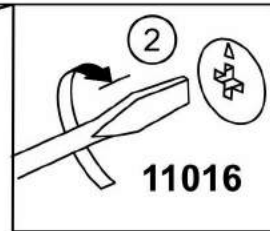
28 10426



10612 4

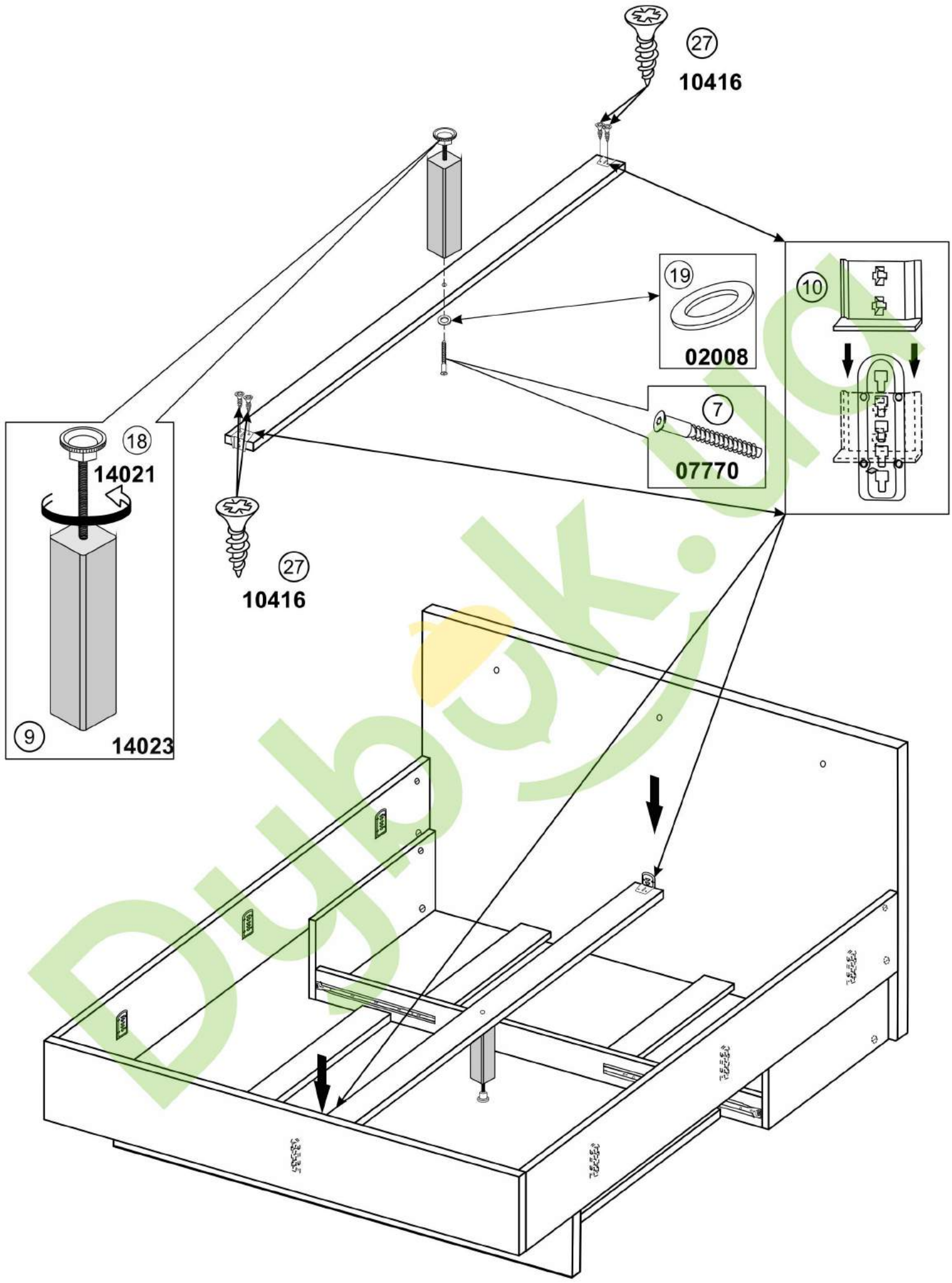


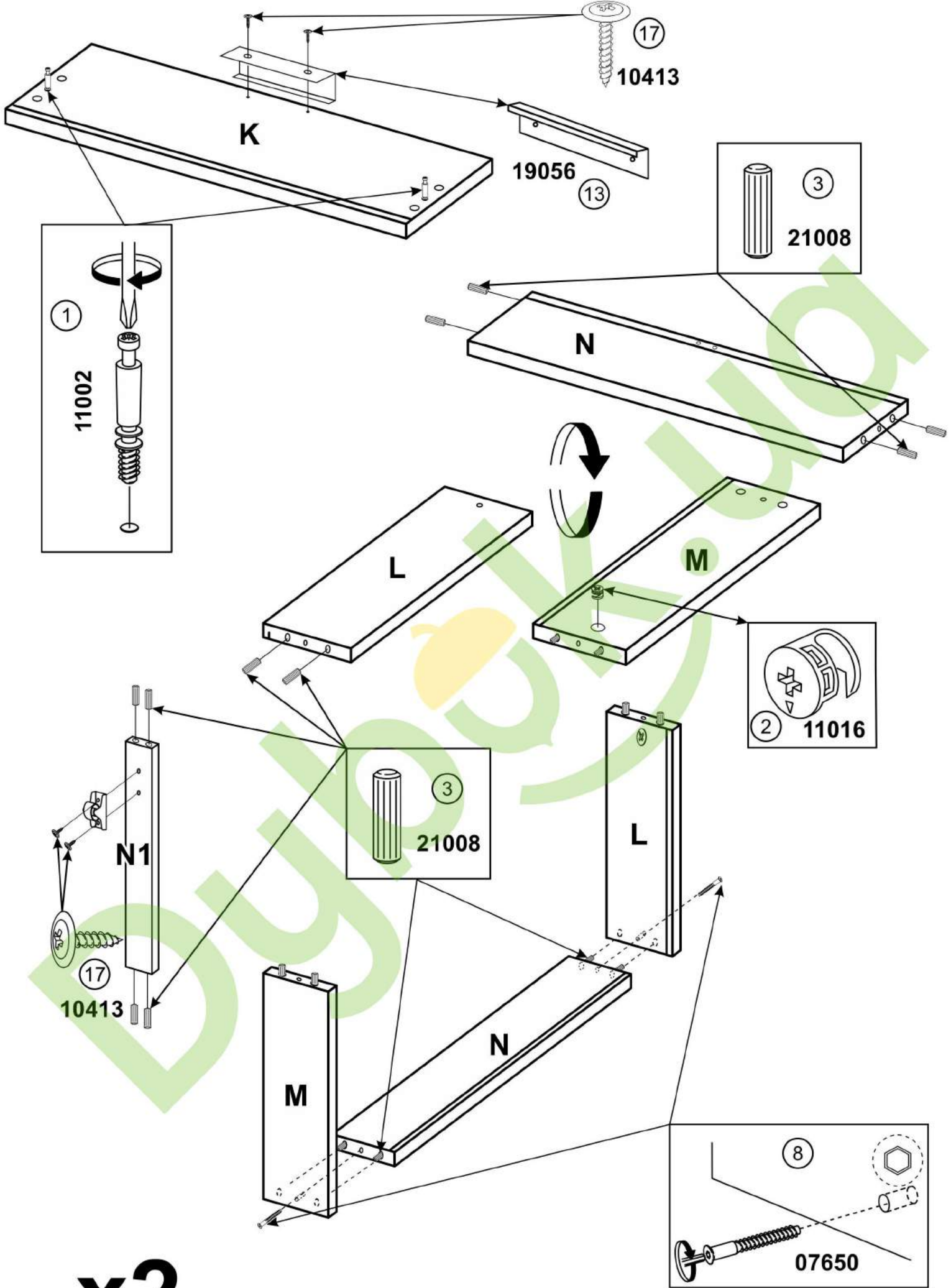
11016



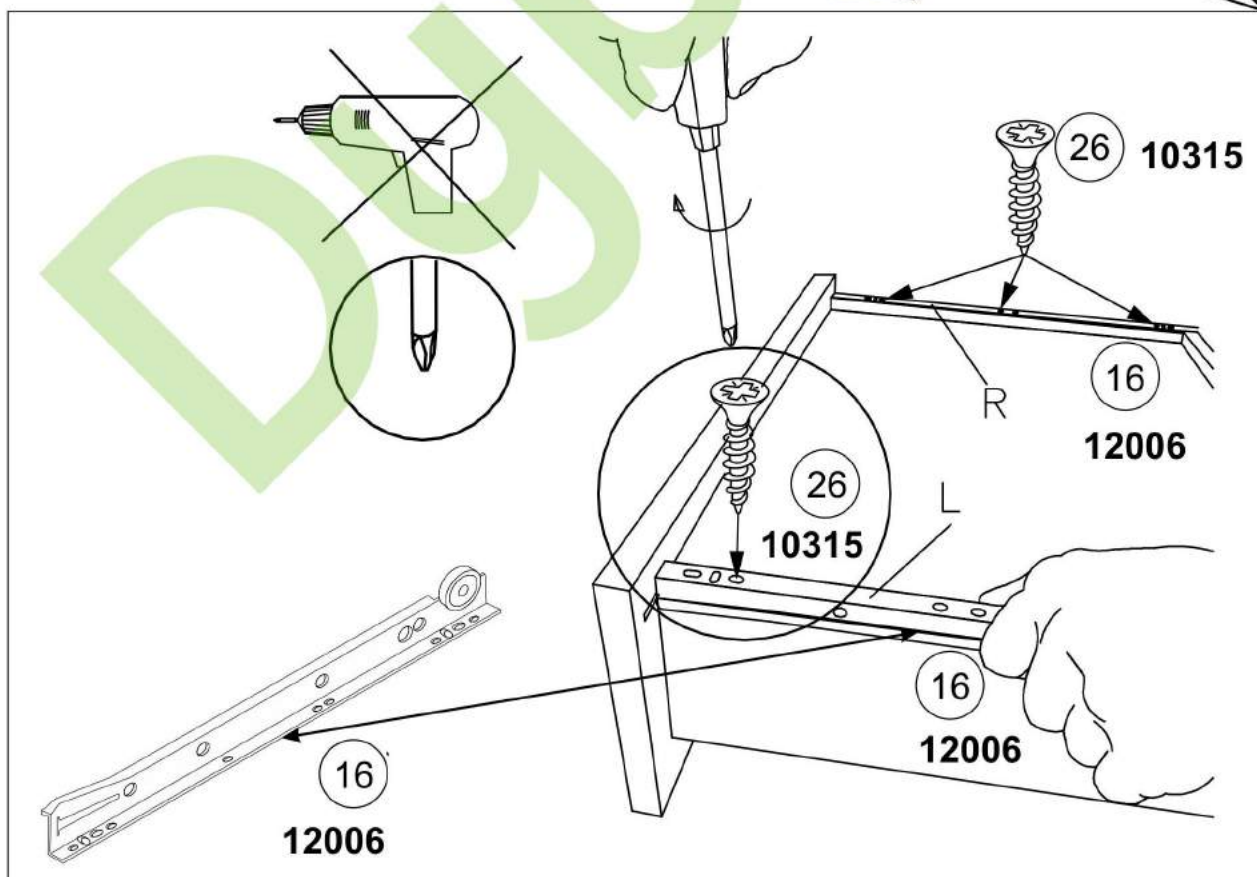
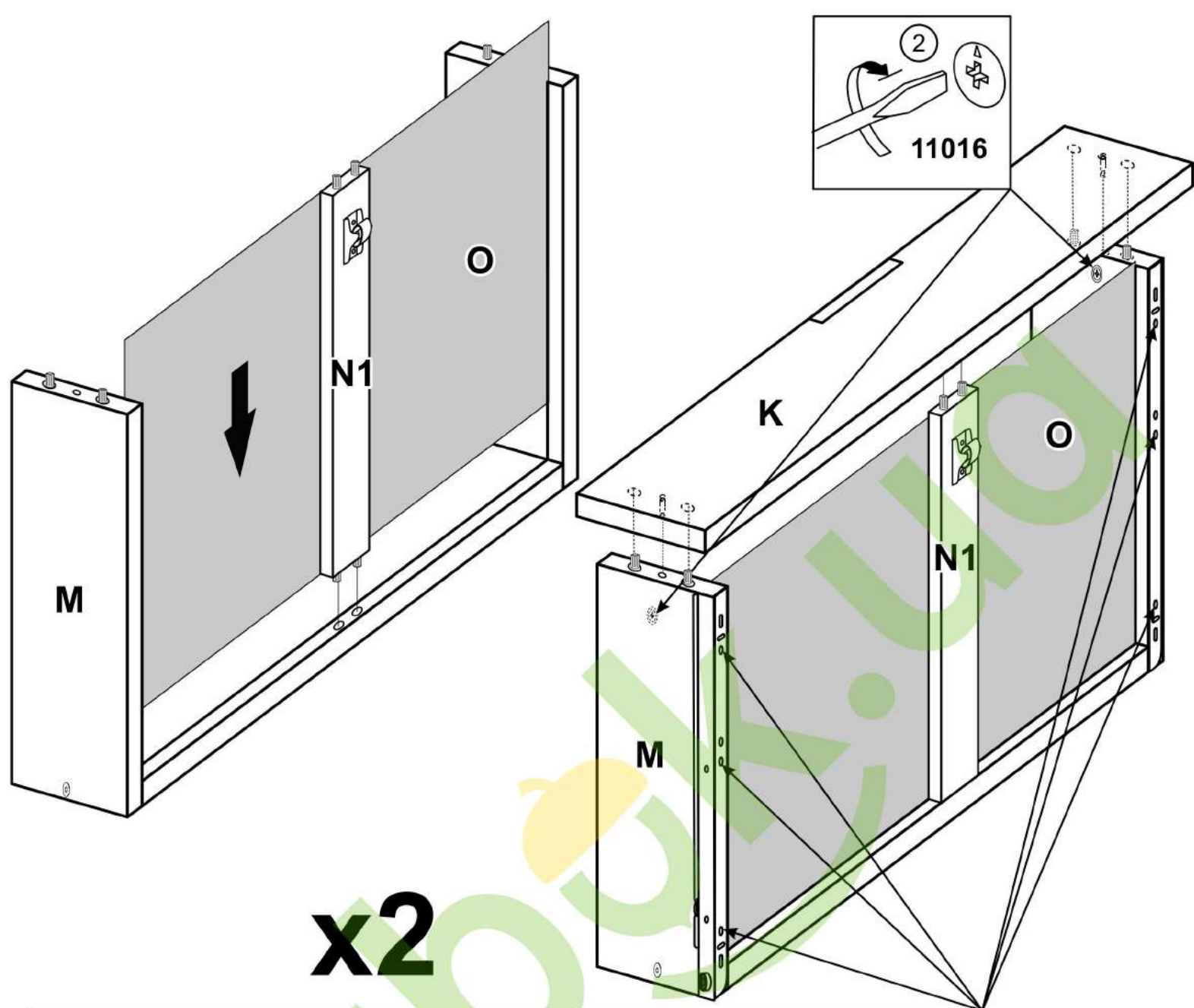
11016

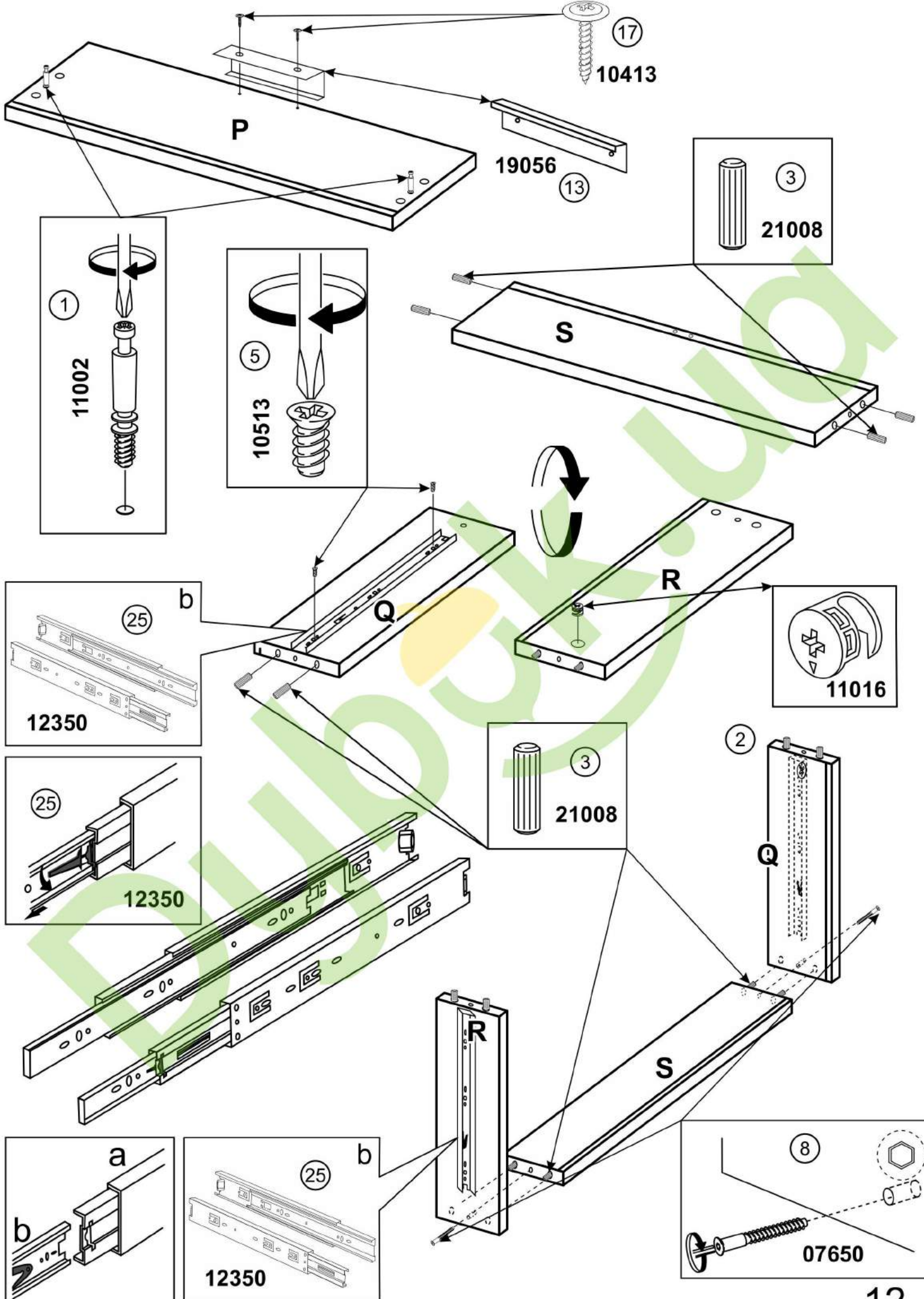


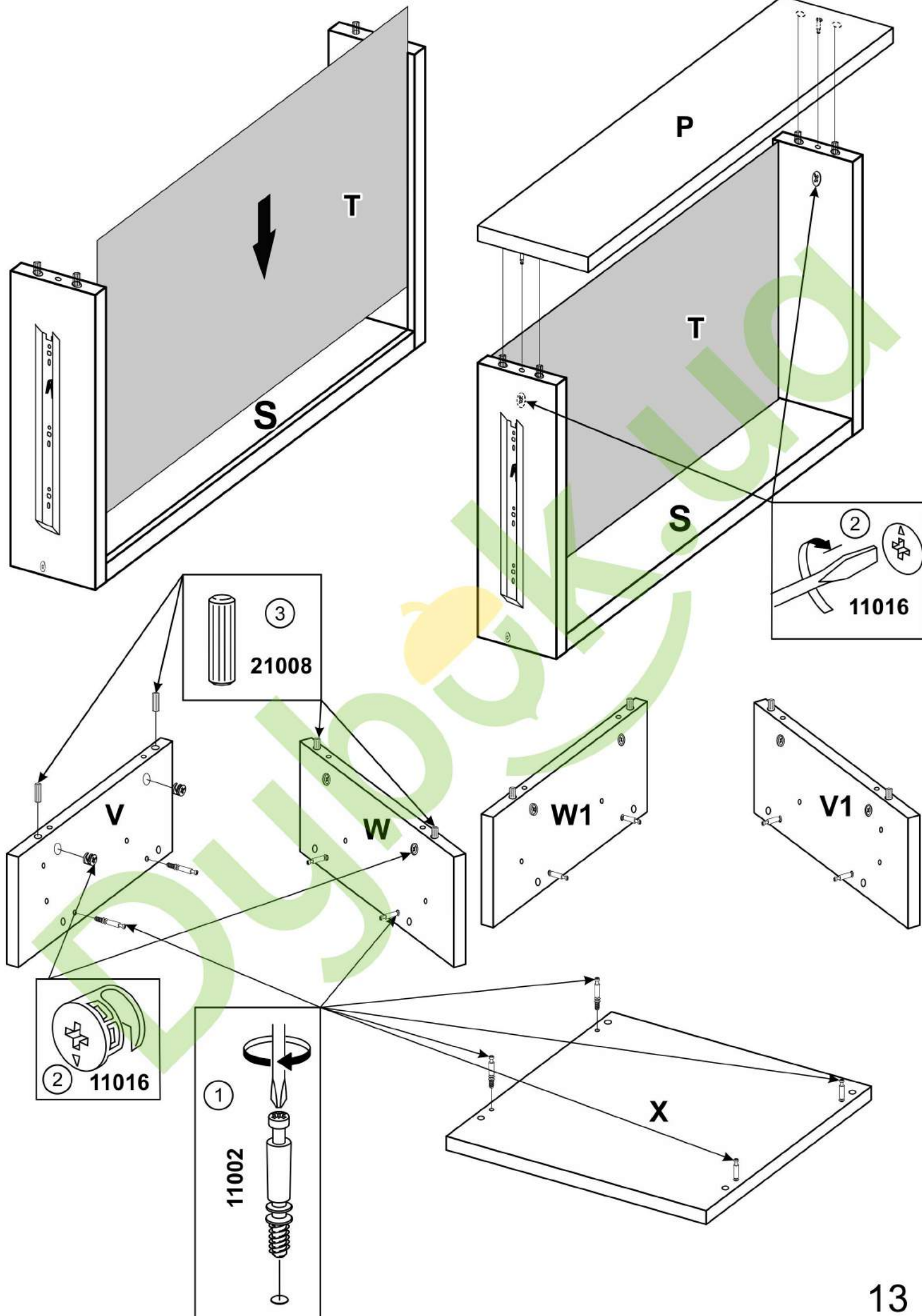


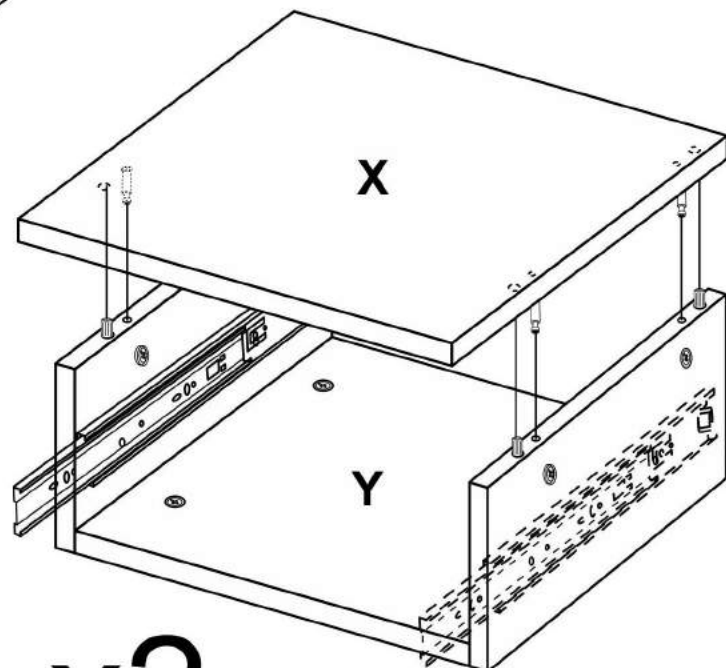
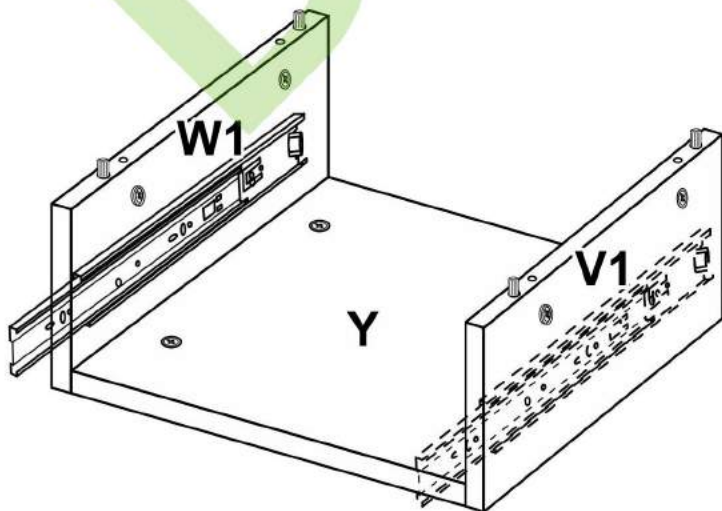
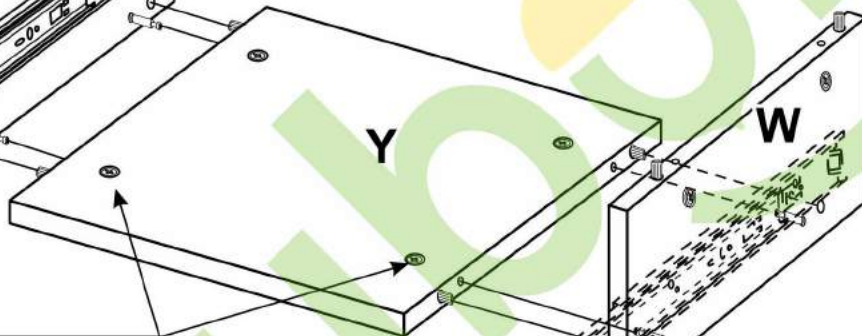
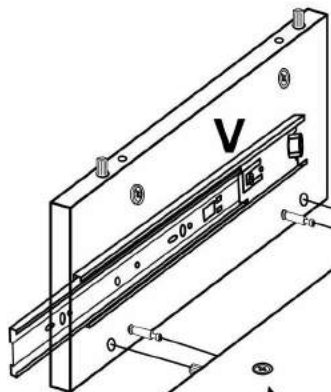
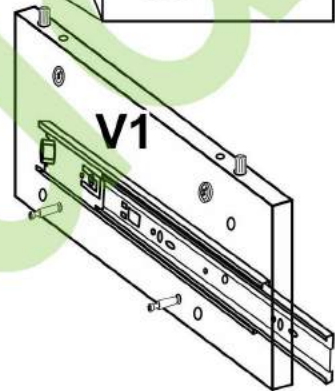
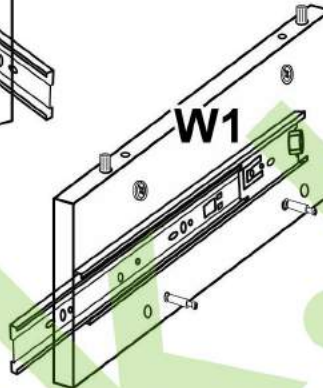
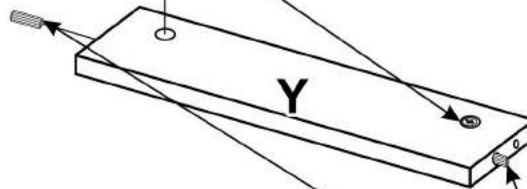
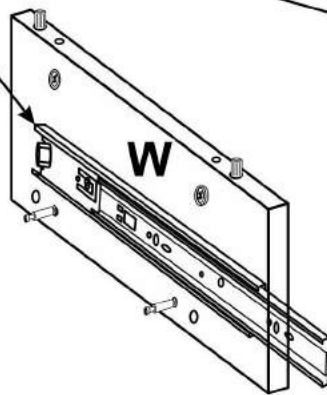
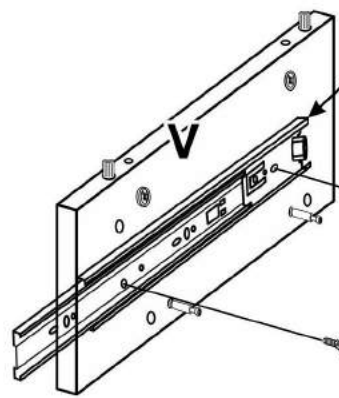
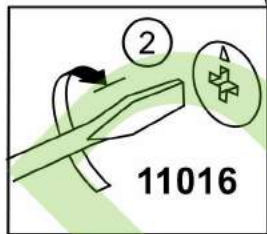
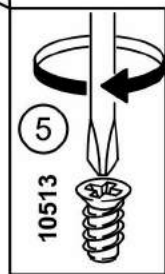
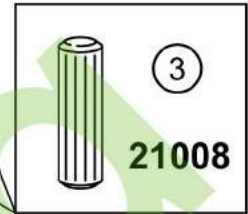
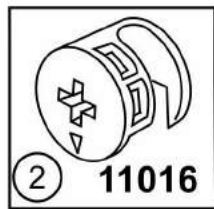
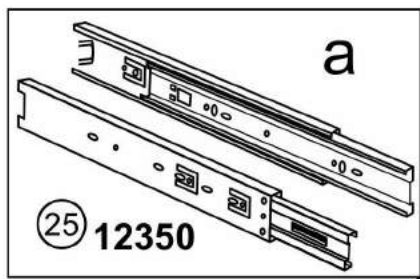


**x2**









x2

