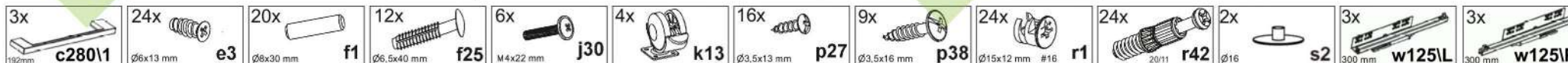
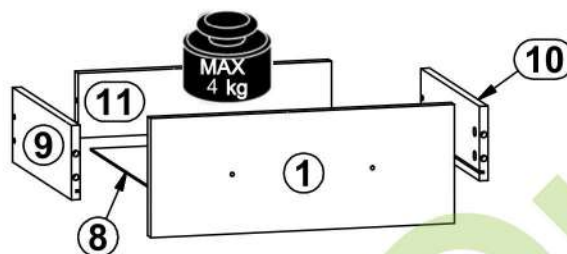
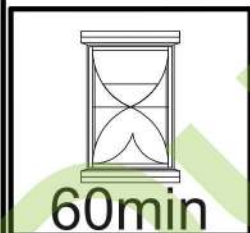
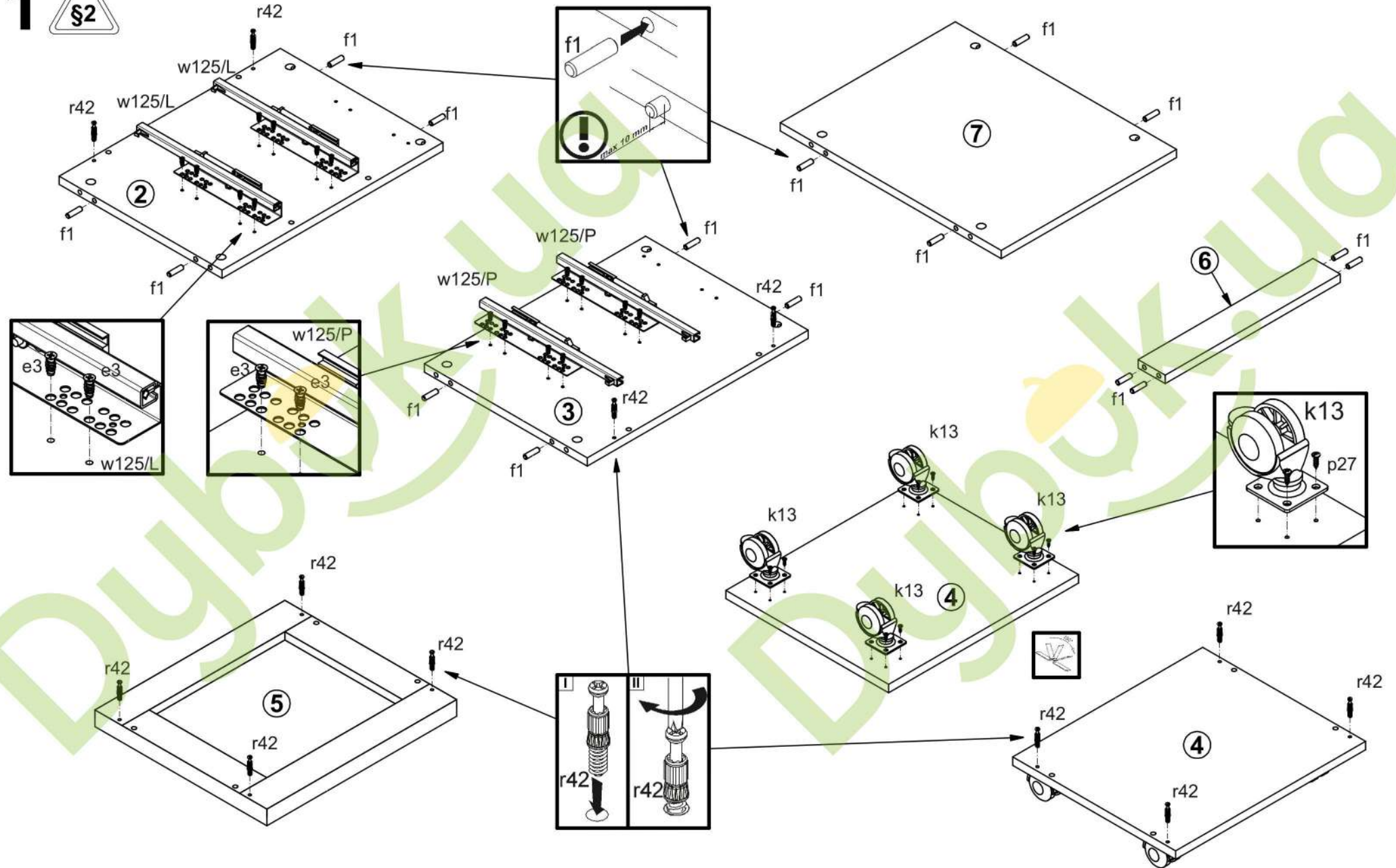


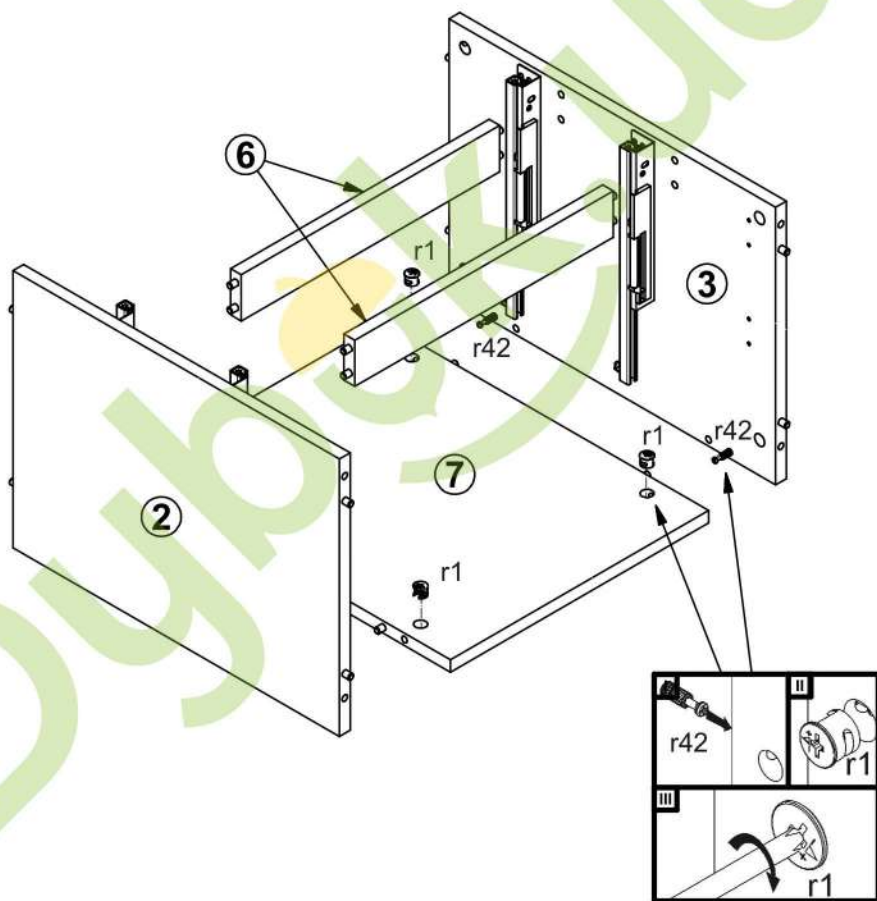
A	B	C (mm)		D
1	S228-0018	416	160	1/1
2	S228-132	489	360	1/1
3	S228-133	489	360	1/1
4	S228-212	420	360	1/1
5	S228-213	420	380	1/1
6	S228-411	387	60	1/1
7	S228-412	489	387	1/1
8	S228-978	357	308	1/1
9	BPK-507	300	100	1/1
10	BPK-508	300	100	1/1
11	ZBK-505	347	86	1/1



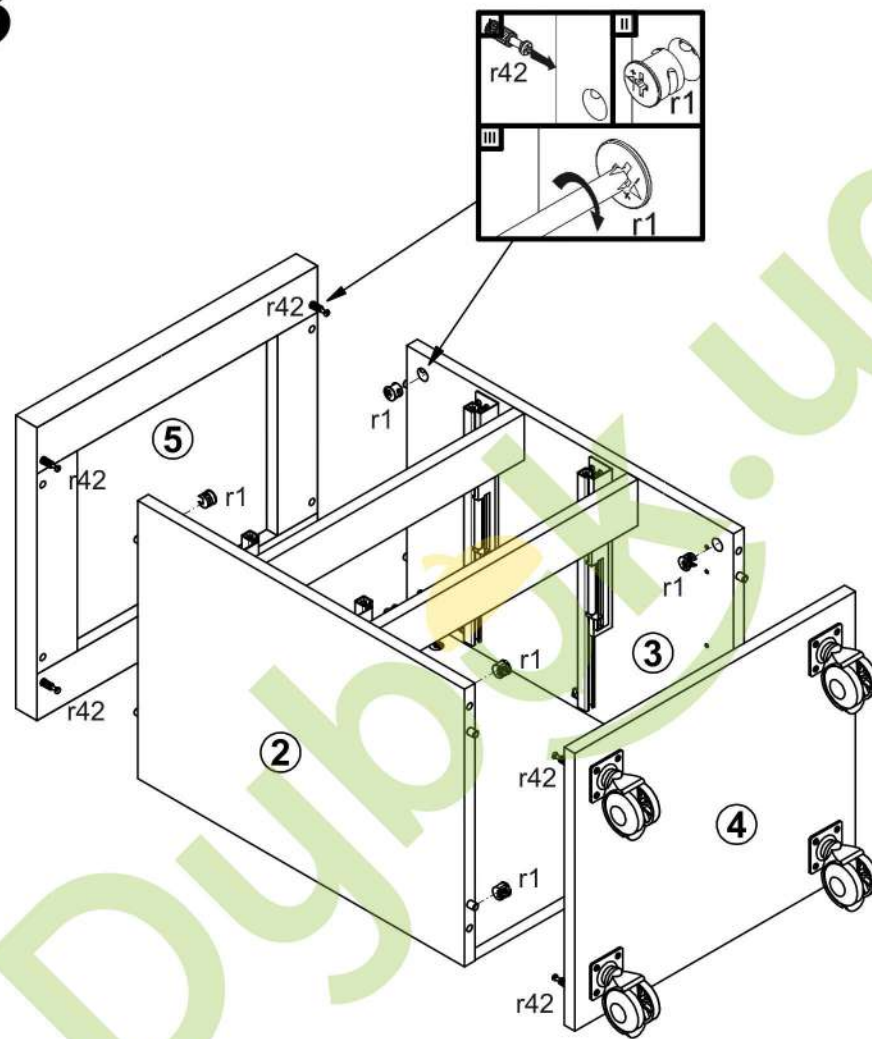
1 



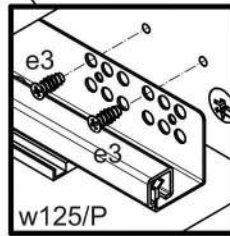
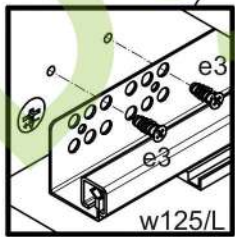
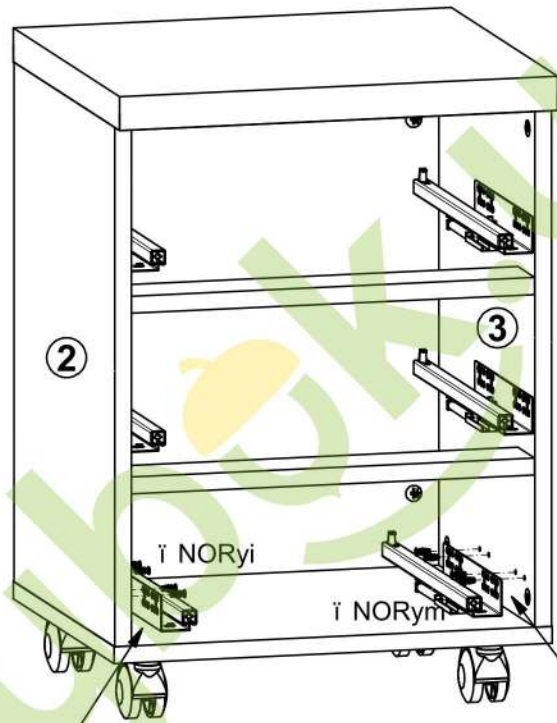
2 



3



5



6

