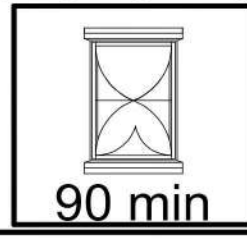
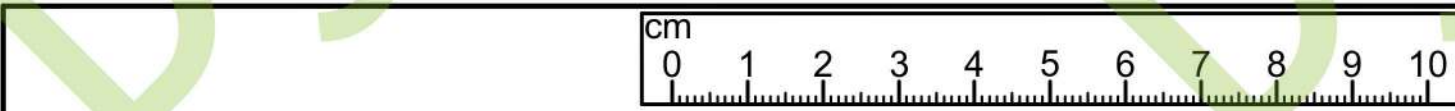
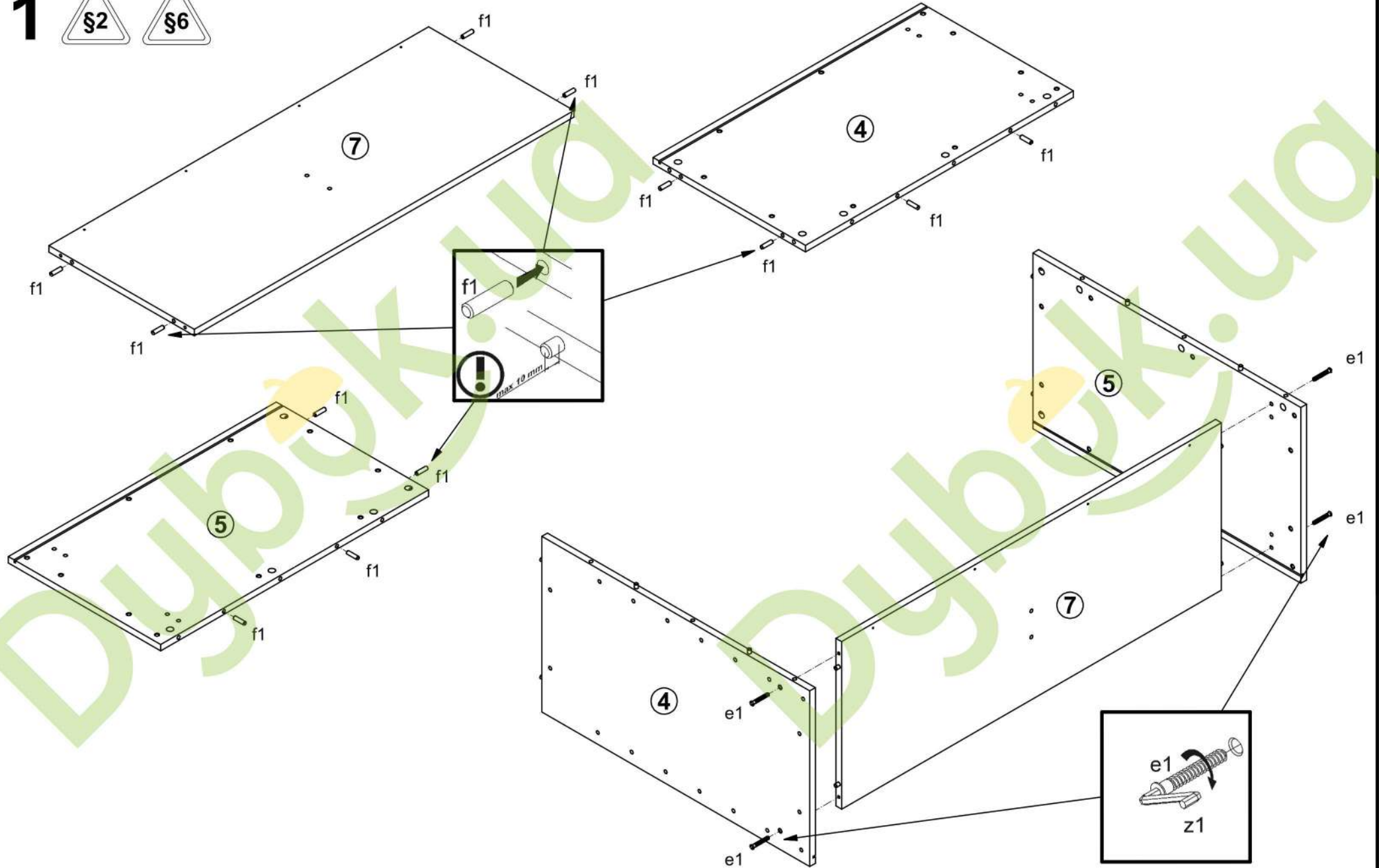


A	B	C (mm)		D
1	S228-0012	984	192	1/2
2	S228-121	666,5	376	2/2
3	S228-122	666,5	376	2/2
4	S228-123	758	431	2/2
5	S228-124	758	431	2/2
6	S228-2208	1106	431	1/2
7	S228-3325	1074	411	1/2
8	S228-4408	978	60	1/2
9	S228-531	147	100	2/2
10	S228N-5511	990	80	1/2
11	S228N-5539	431	80	2/2
12	S228N-5540	766	58	2/2
13	S228N-5541	756	58	1/2
14	S228N-5542	315	80	1/2
15	S228N-5543	1151	80	1/2
16	S228N-5544	1072	60	1/2
17	S228N-5545	756	80	1/2
18	S228N-5546	756	80	1/2
19	S228-957	1084	342	1/2
20	S228-9976	948	358	1/2
21	BPK-511	350	140	2/2
22	BPK-512	350	140	2/2
23	ZBK-510	938	127	1/2
24	S228-959	1084	342	1/2
25	Lh-1044	1044	14	1/2

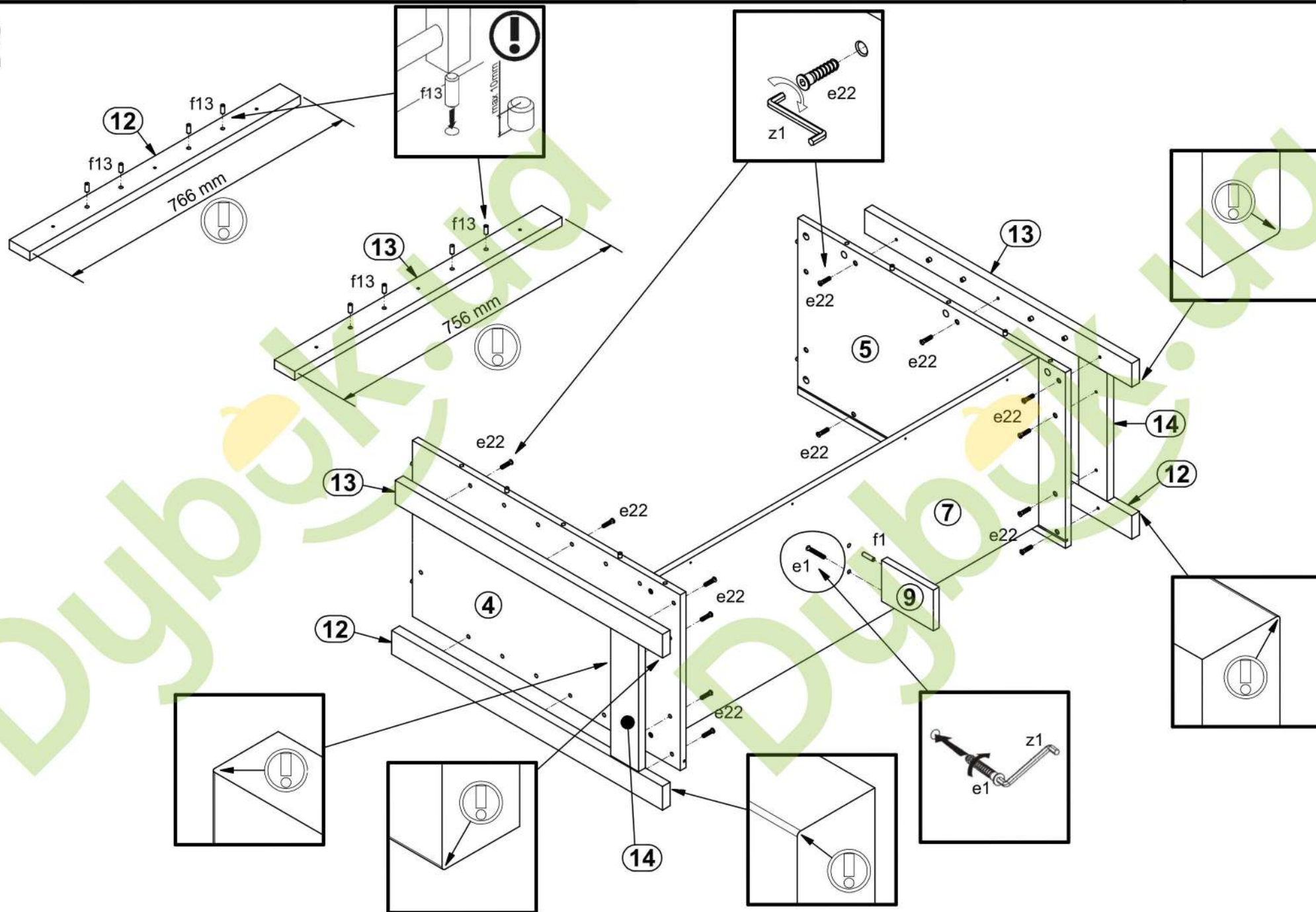


3x 192 mm c28011	4x d36	5x U7 x50 mm e1	20x U7 x28 mm e22	24x U8 x13 mm e3	31x U8 x30 mm f1	16x U8 x20 mm f13	12x U8, 5x40 mm f25	1x U11 0x50 mm f35	6x M4x22 mm j30	7x k1	2x k101	10x l1
12x l2	1x 36x21x151,5 n1412	1x U5 x60 mm p17	3x U8, 5x16 mm p25	3x U8, 5x10 mm p35	26x U8, 5x16 mm p38	8x U8, 5x15 mm p51	4x U8, 5x20 mm p79	4x U4 x25 mm p8	26x U11 5x12 mm #16 r1	26x 20/11 r42	3x 350 mm t35	1x z1
3x 350 mm W117\L	3x 350 mm W117\P											

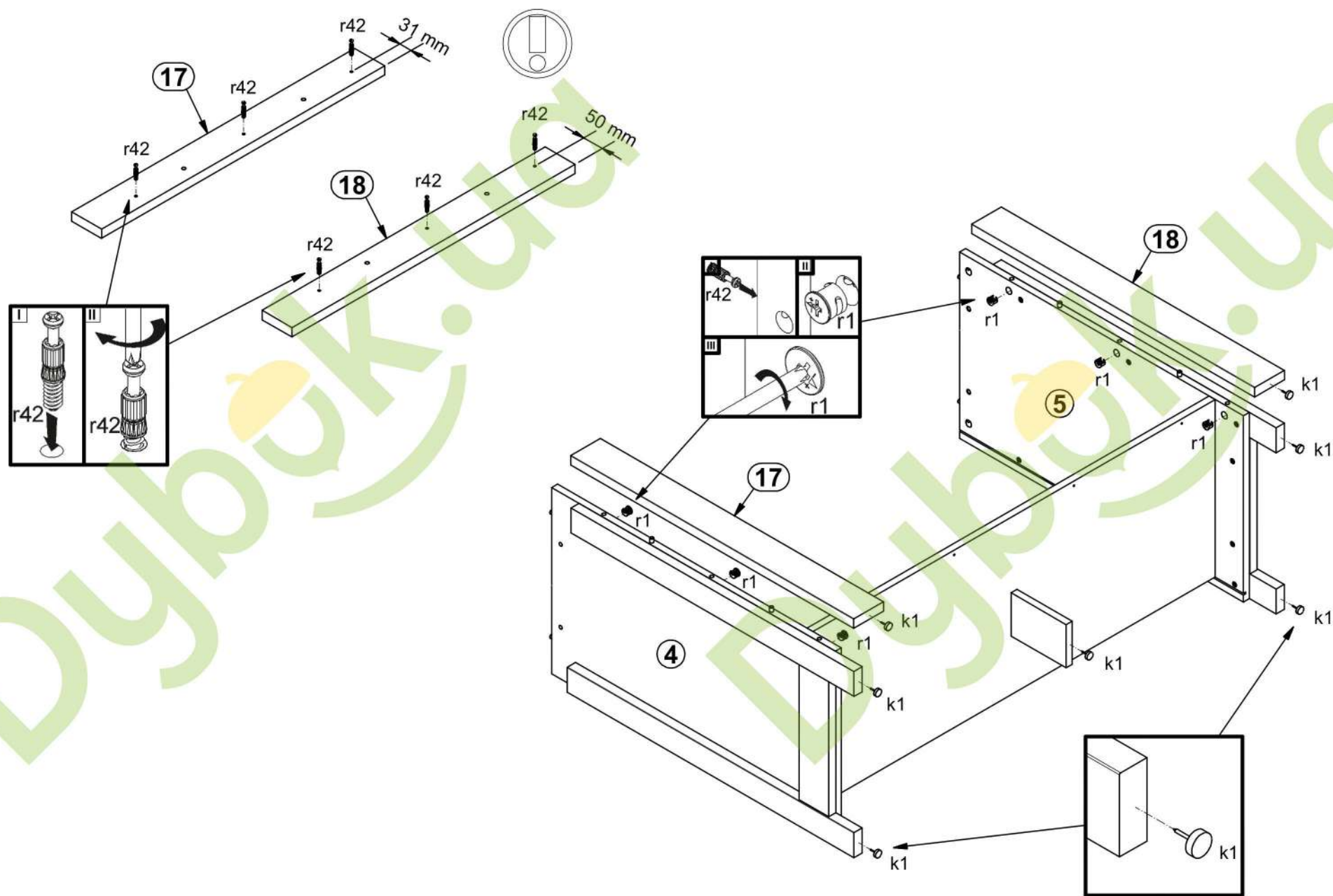
1



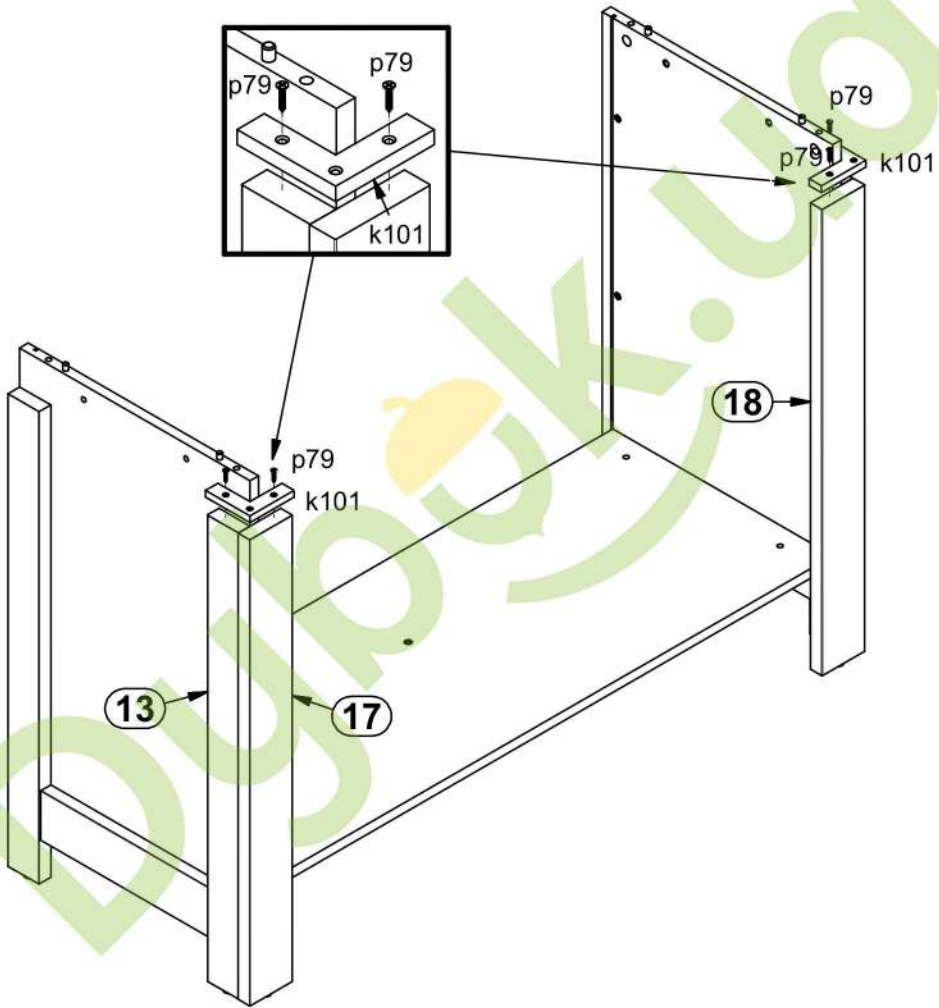
2



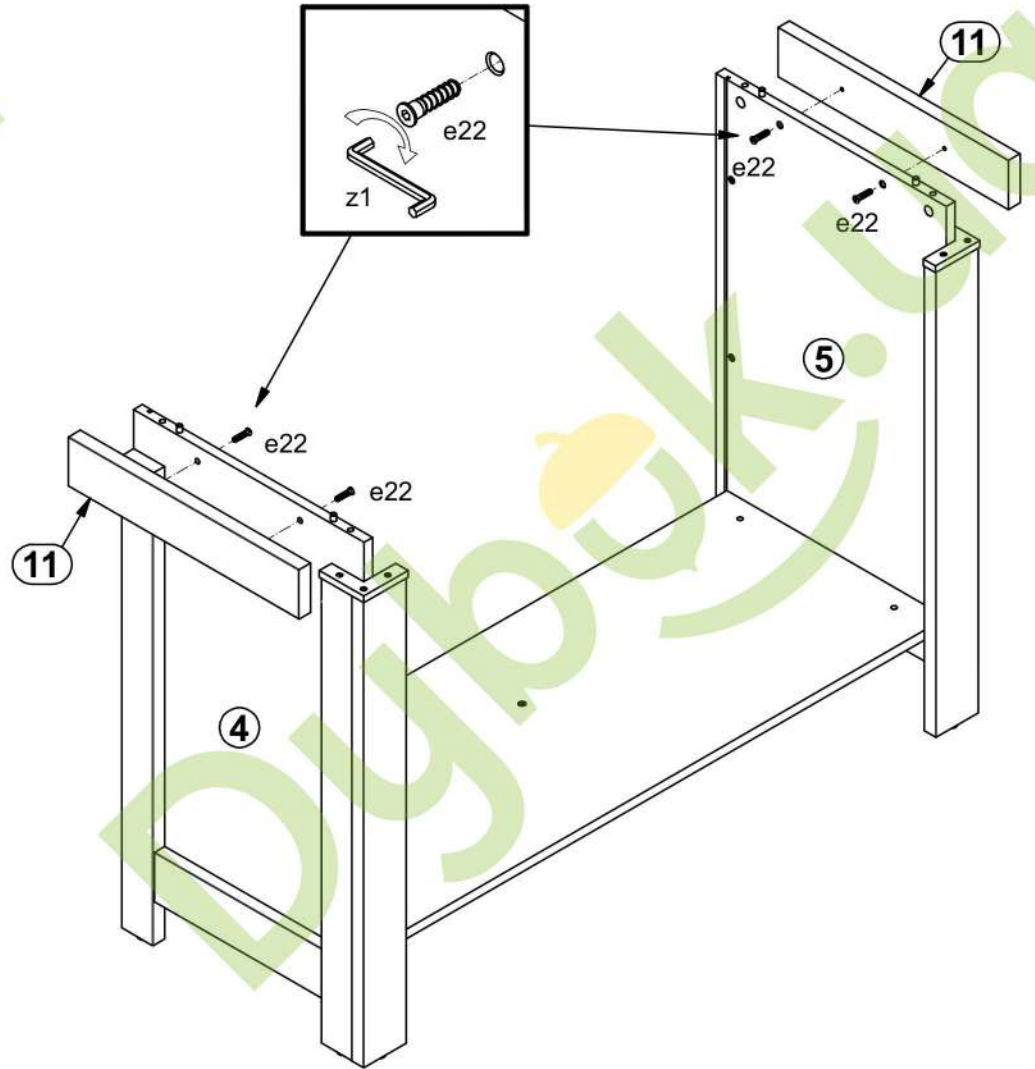
3



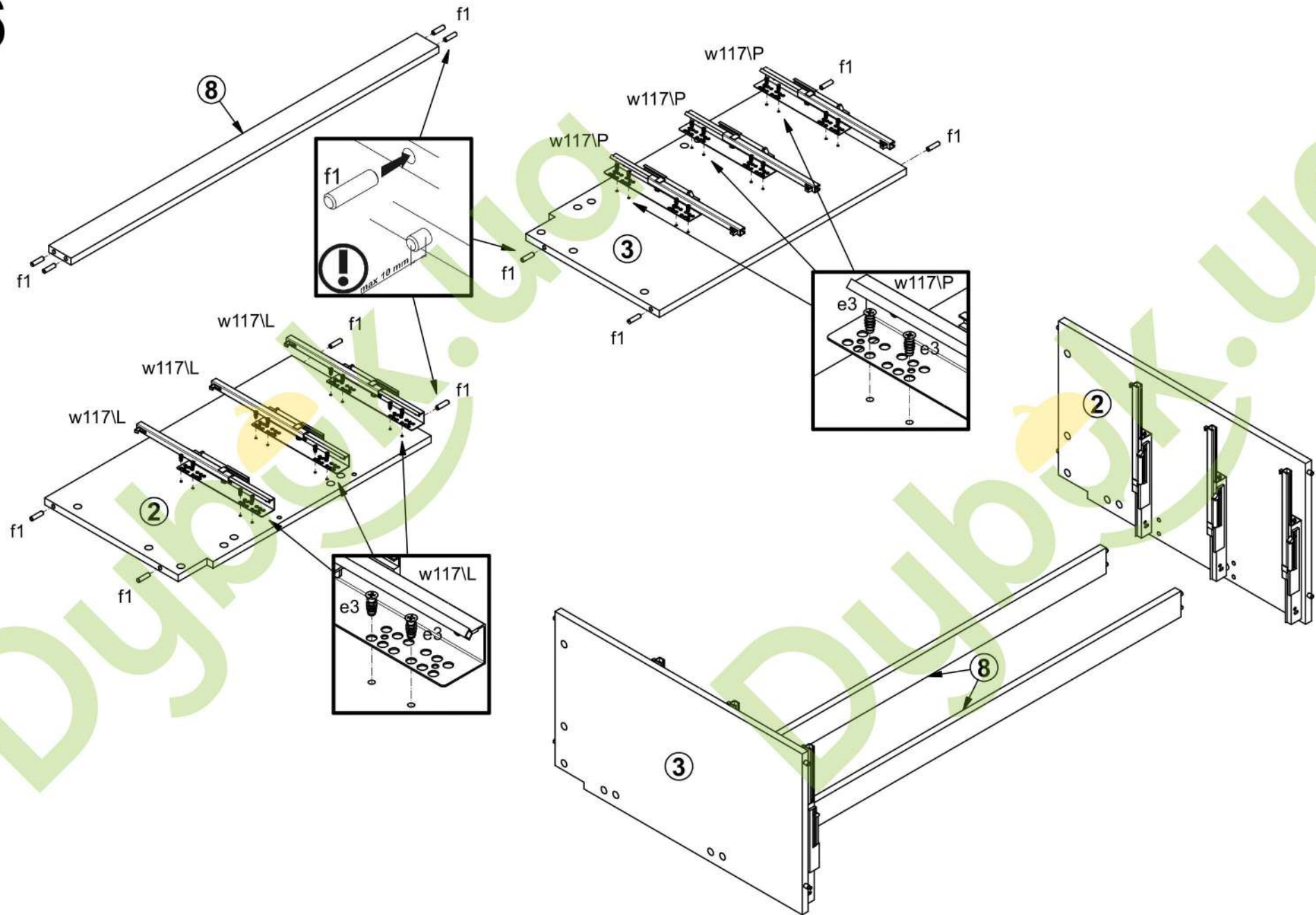
4



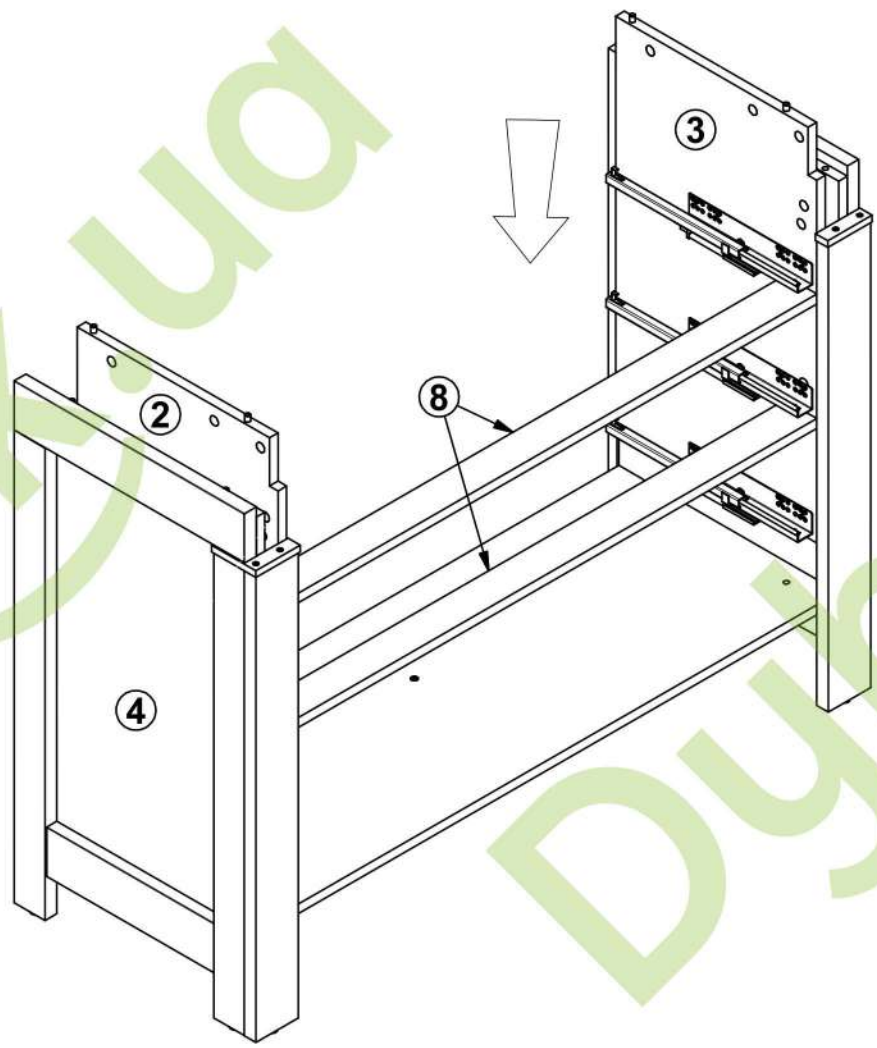
5



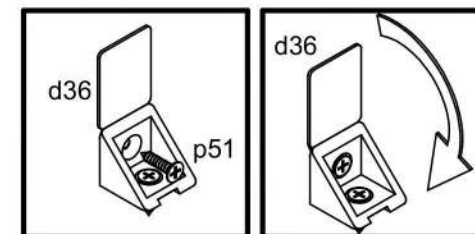
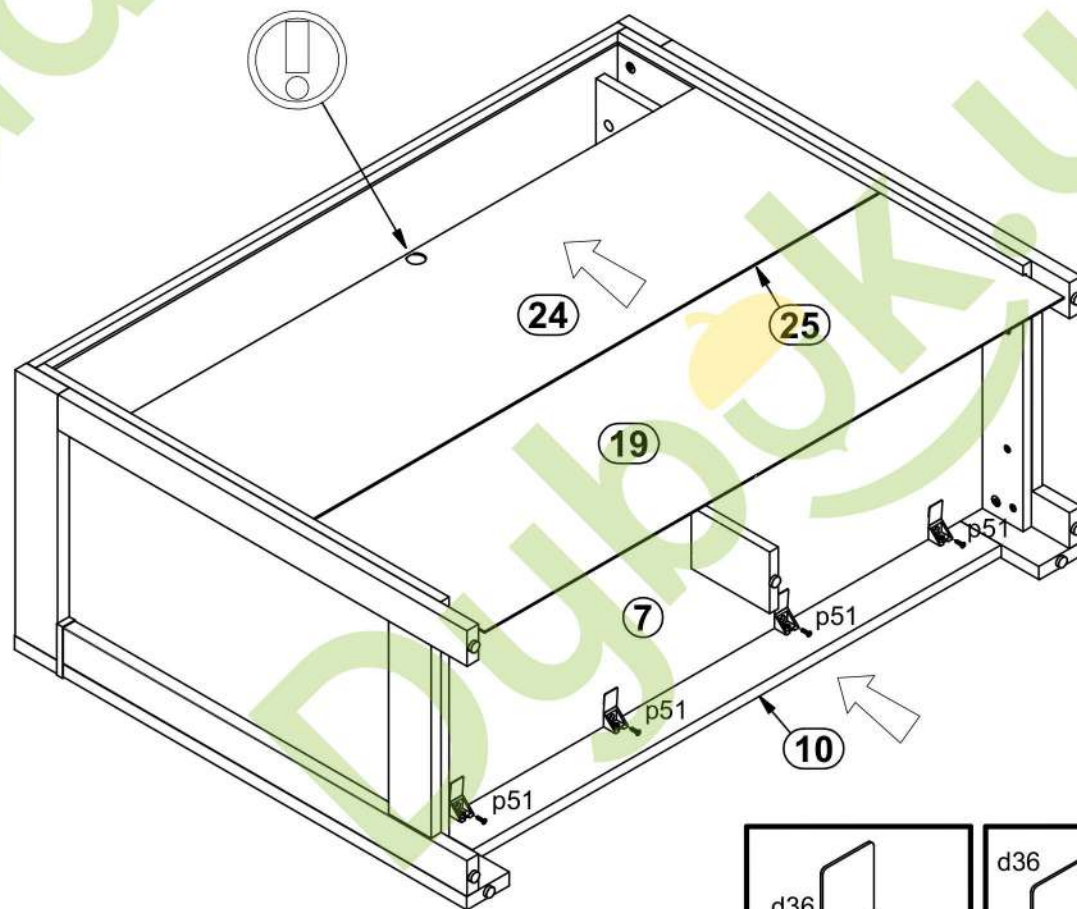
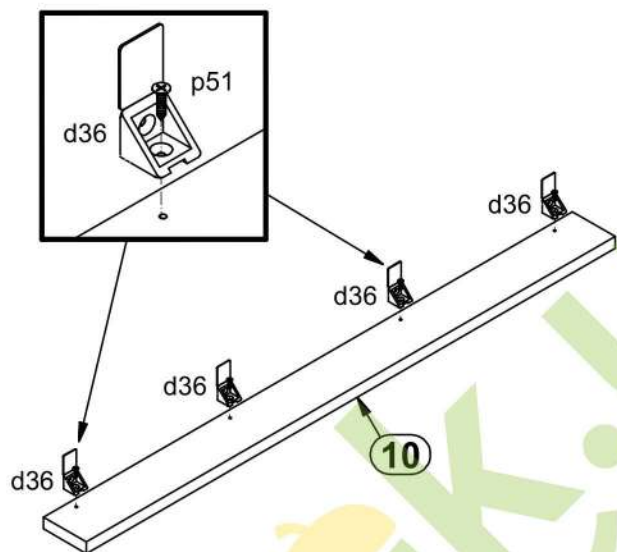
6



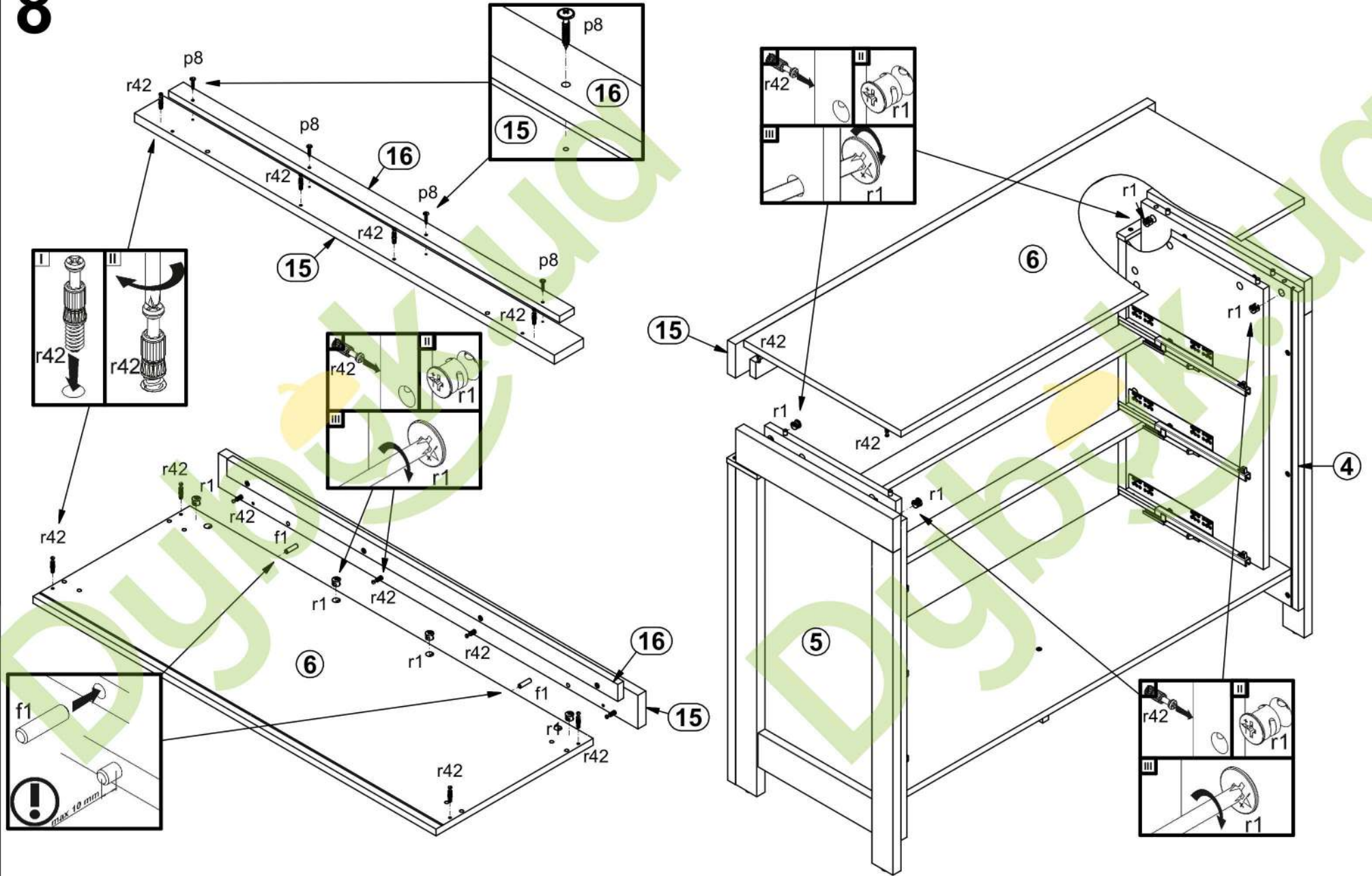
7



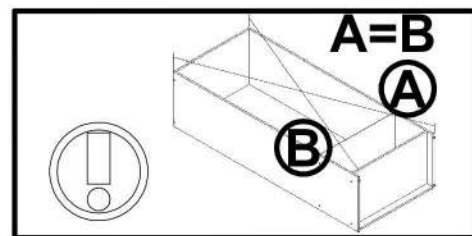
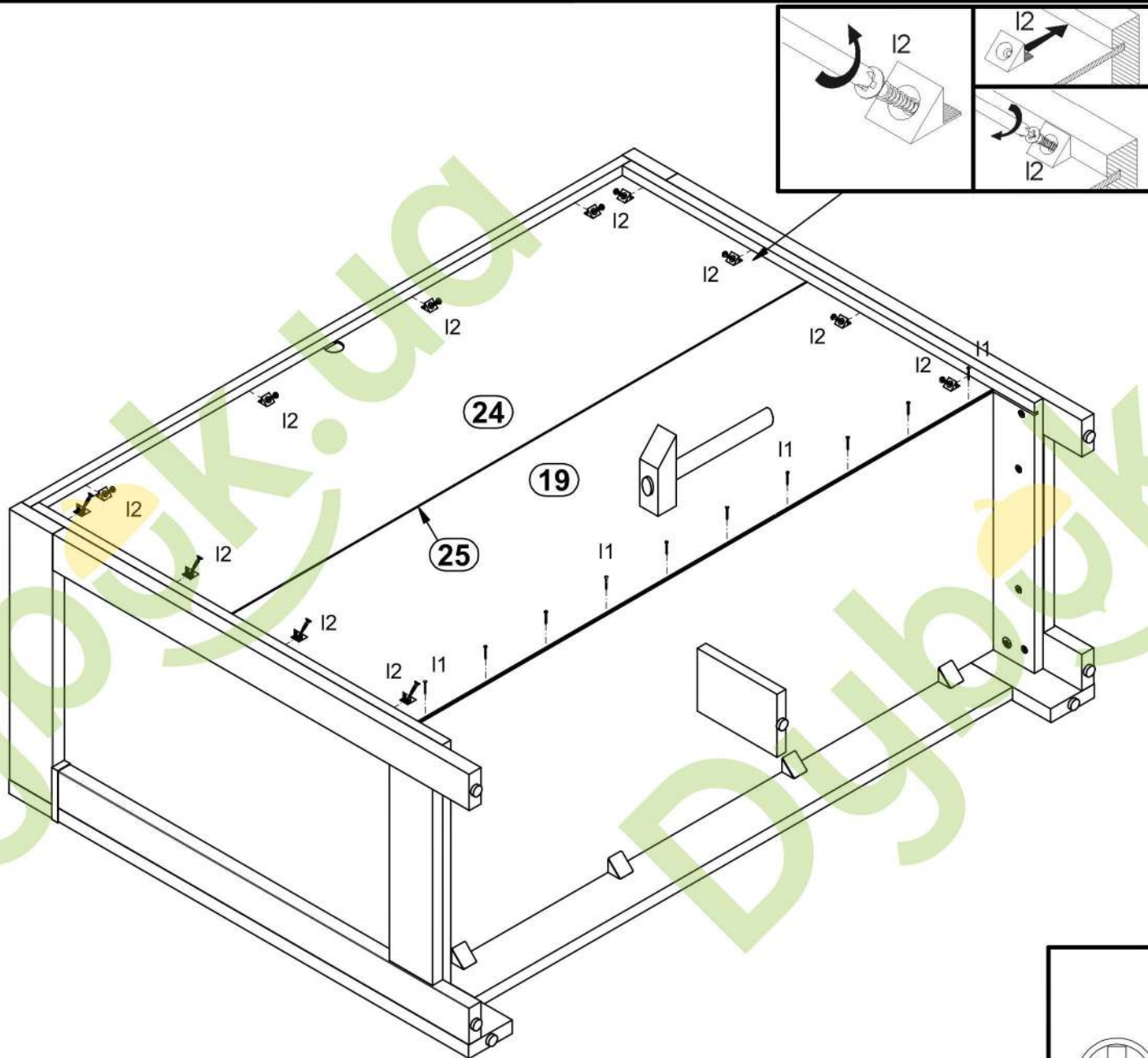
9



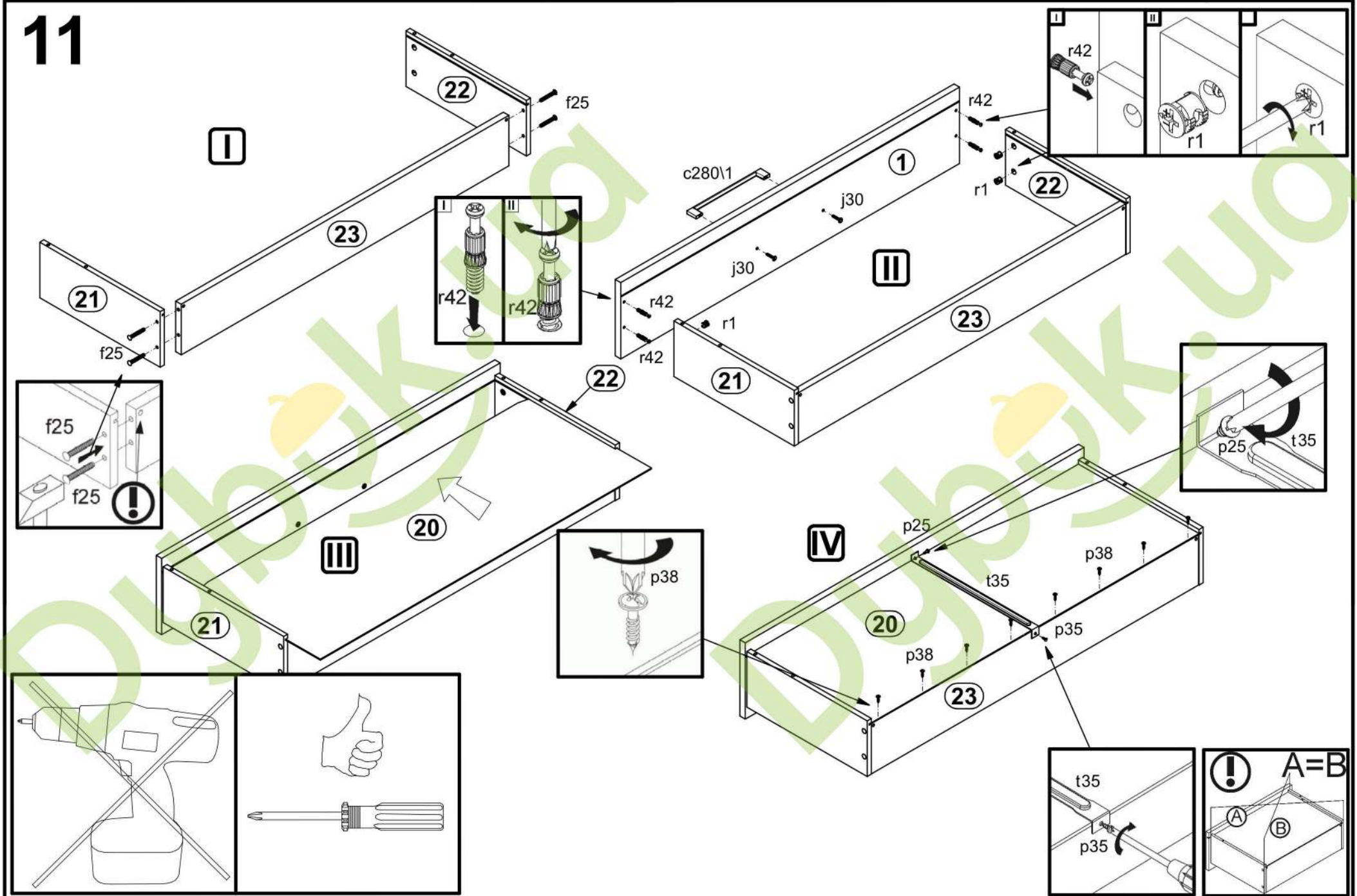
8



10



11



12

