

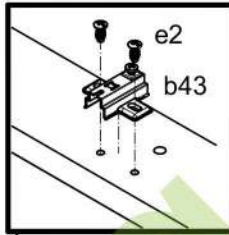
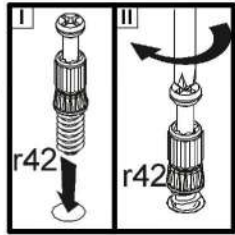
A	B	C (mm)		D
1	S228-011	596	487	2/2
2	S228-116	758	431	1/2
3	S228-117	758	431	1/2
4	S228-120	666,5	411	1/2
5	S228-207	1106	431	1/2
6	S228-323	1074	411	1/2
7	S228-3324	528	400	1/2
8	S228-531	147	100	1/2
9	S228N-5511	990	80	1/2
10	S228N-5537	756	80	1/2
11	S228N-5538	756	80	1/2
12	S228N-5539	431	80	1/2
13	S228N-5540	766	58	1/2
14	S228N-5541	756	58	1/2
15	S228N-5542	315	80	1/2
16	S228N-5543	1151	80	1/2
17	S228N-5544	1072	60	1/2
18	S228-955	686	270	1/2
19	S228-956	686	270	1/2
20	Lh-658	658	14	1/2

Tools and parts list:

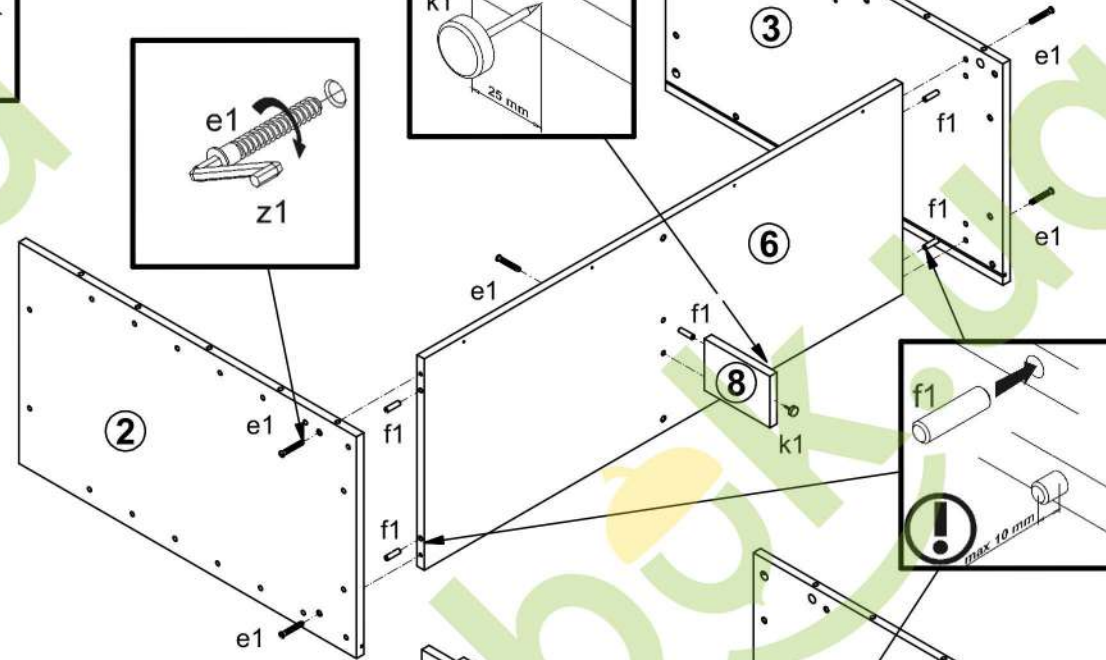
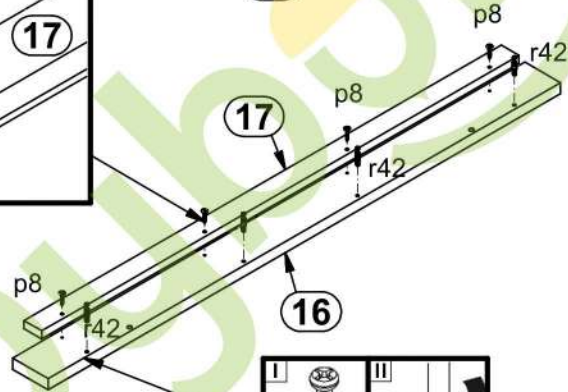
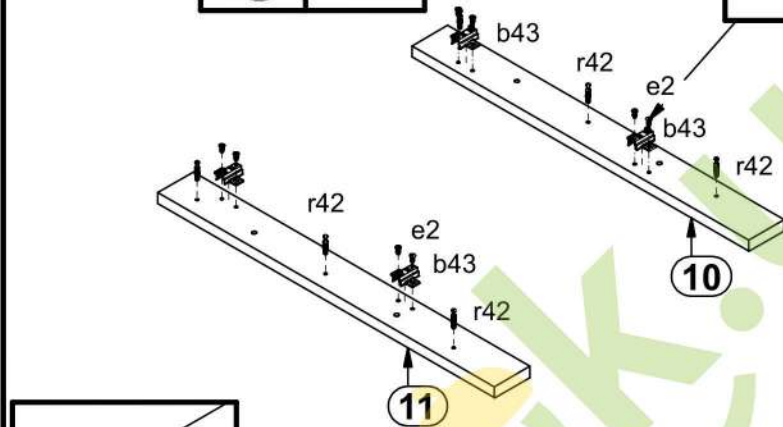
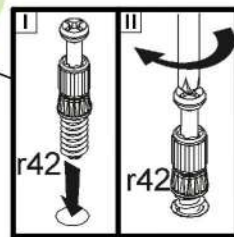
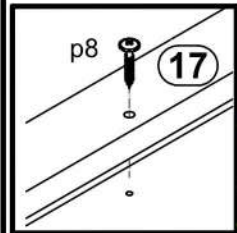
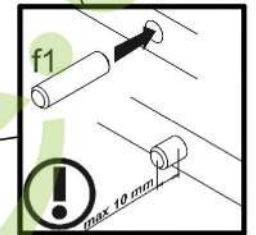
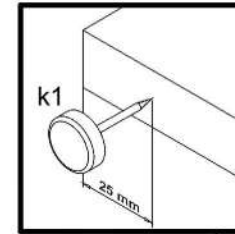
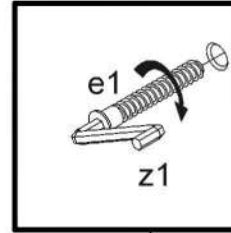
- 2x a133
- 4x a132
- 4x b43
- 2x c280/1 (192 mm)
- 8x d1 (Ø5x17 mm)
- 4x d36
- 7x e1 (Ø7x50 mm)
- 8x e2 (Ø6,3x13 mm)
- 20x e22 (Ø7x28 mm)
- 19x f1 (Ø8x30 mm)
- 16x f13 (Ø8x20 mm)
- 4x j30 (M4x22 mm)
- 7x k1
- 2x k101
- 12x l1
- 14x l2
- 16x p51 (Ø3,5x15 mm)
- 4x p79 (Ø3,5x20 mm)
- 4x p8 (Ø4x25 mm)
- 16x r1 (Ø1,5x12 mm #16)
- 16x r42 (20/11)
- 1x n14/2 (86x21x51,5)
- 2x p38 (Ø3,5x16 mm)
- 1x p17 (Ø5x60 mm)
- 1x f35 (Ø10x50 mm)
- 1x z1
- 10x s2 (Ø16)
- 12x s1
- 5x n108 (20x13x3,5)
- 5x p55 (Ø2,9x16 mm)

Scale: 0 to 10 cm

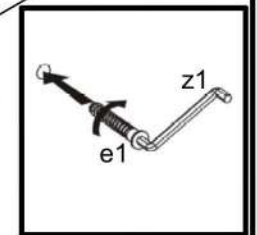
1 §2



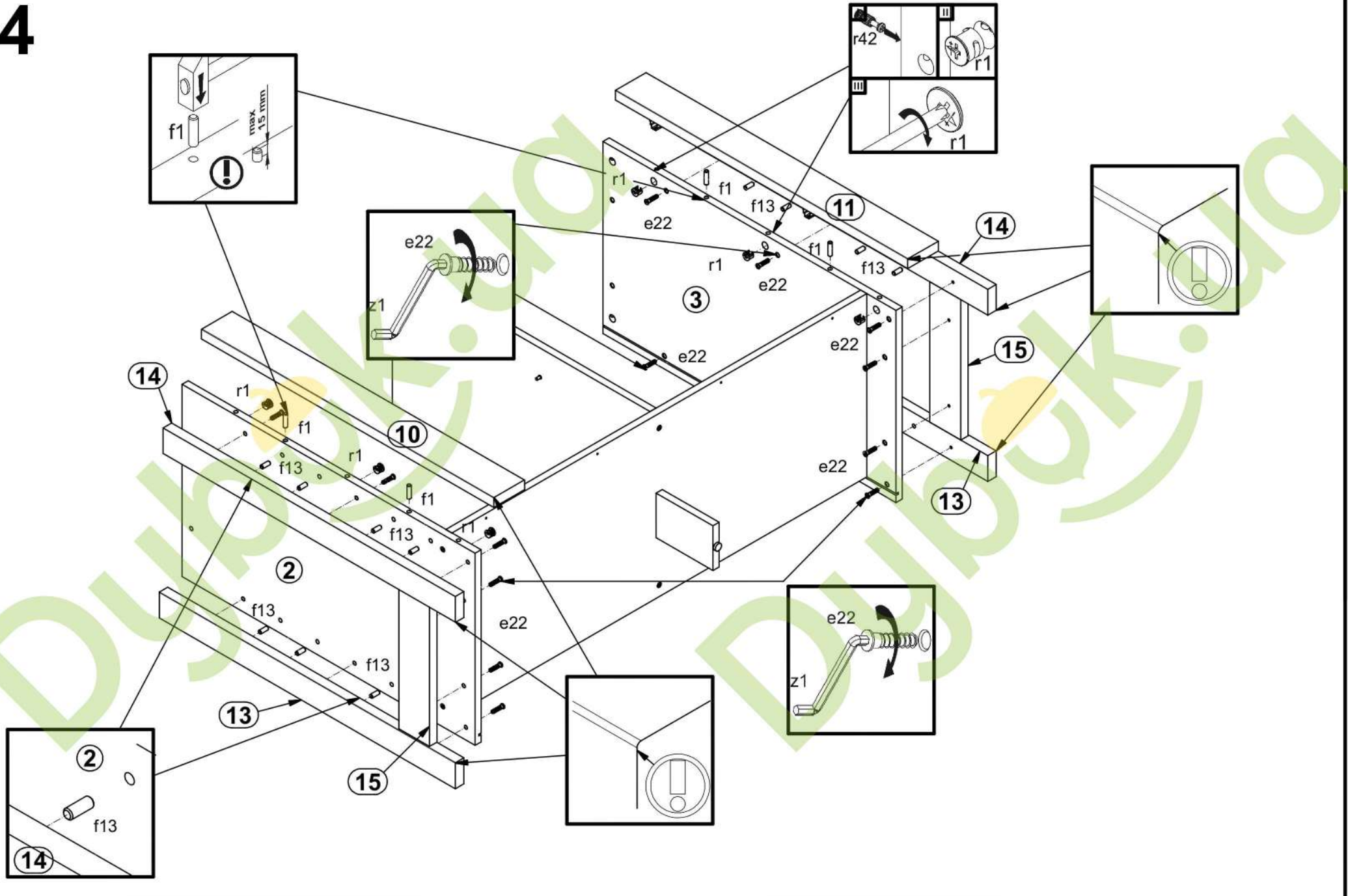
2 §6



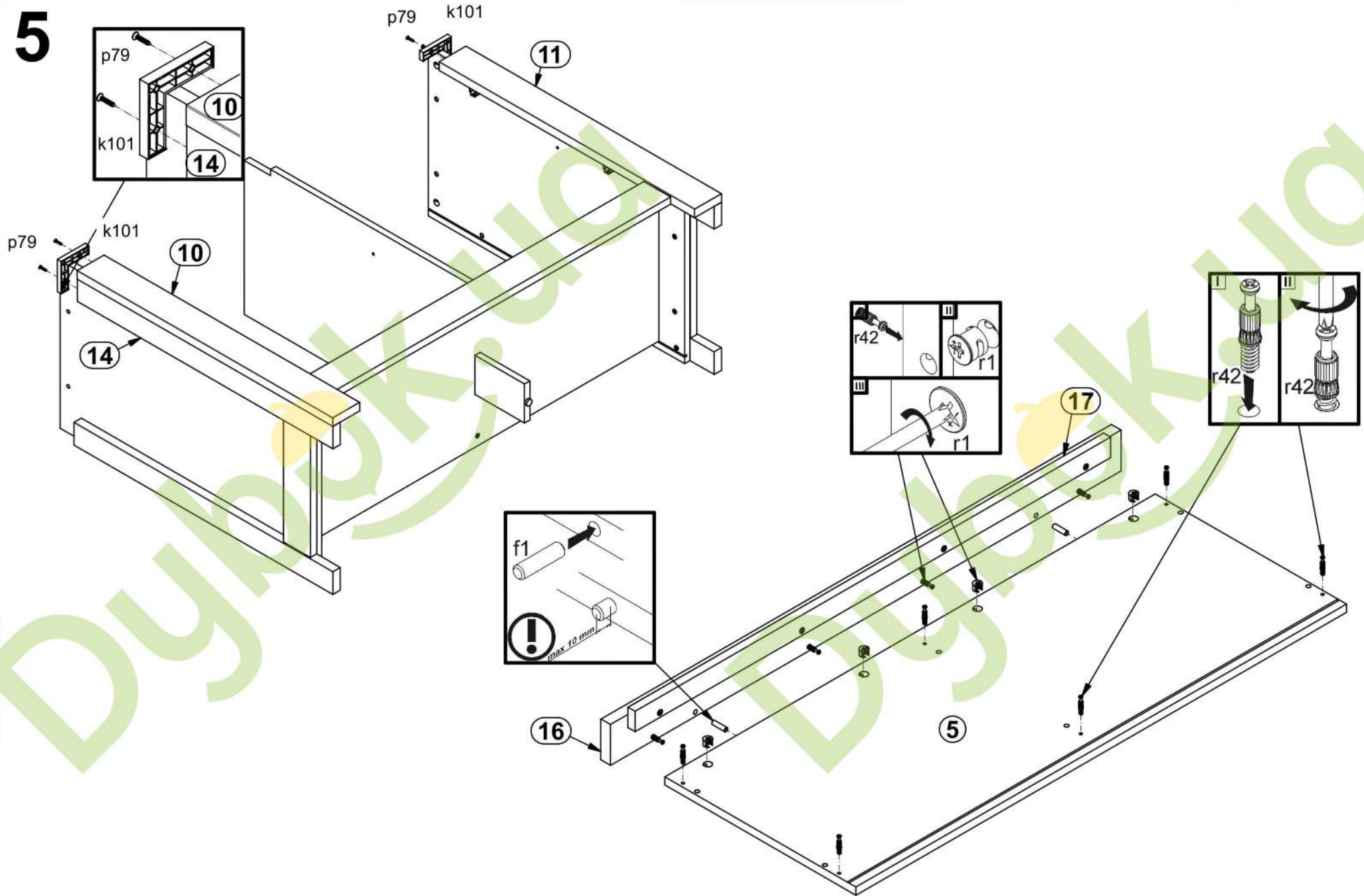
3



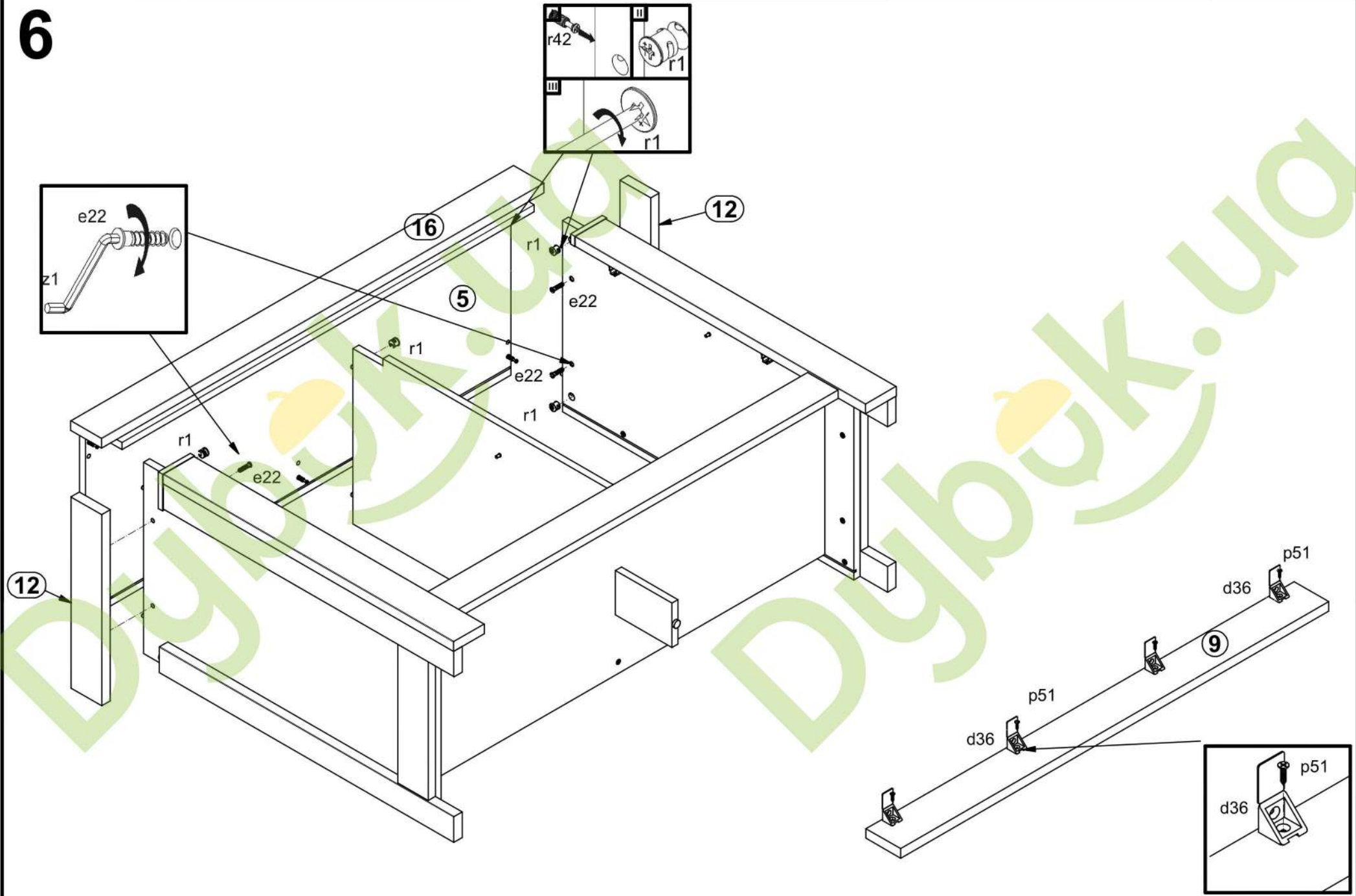
4



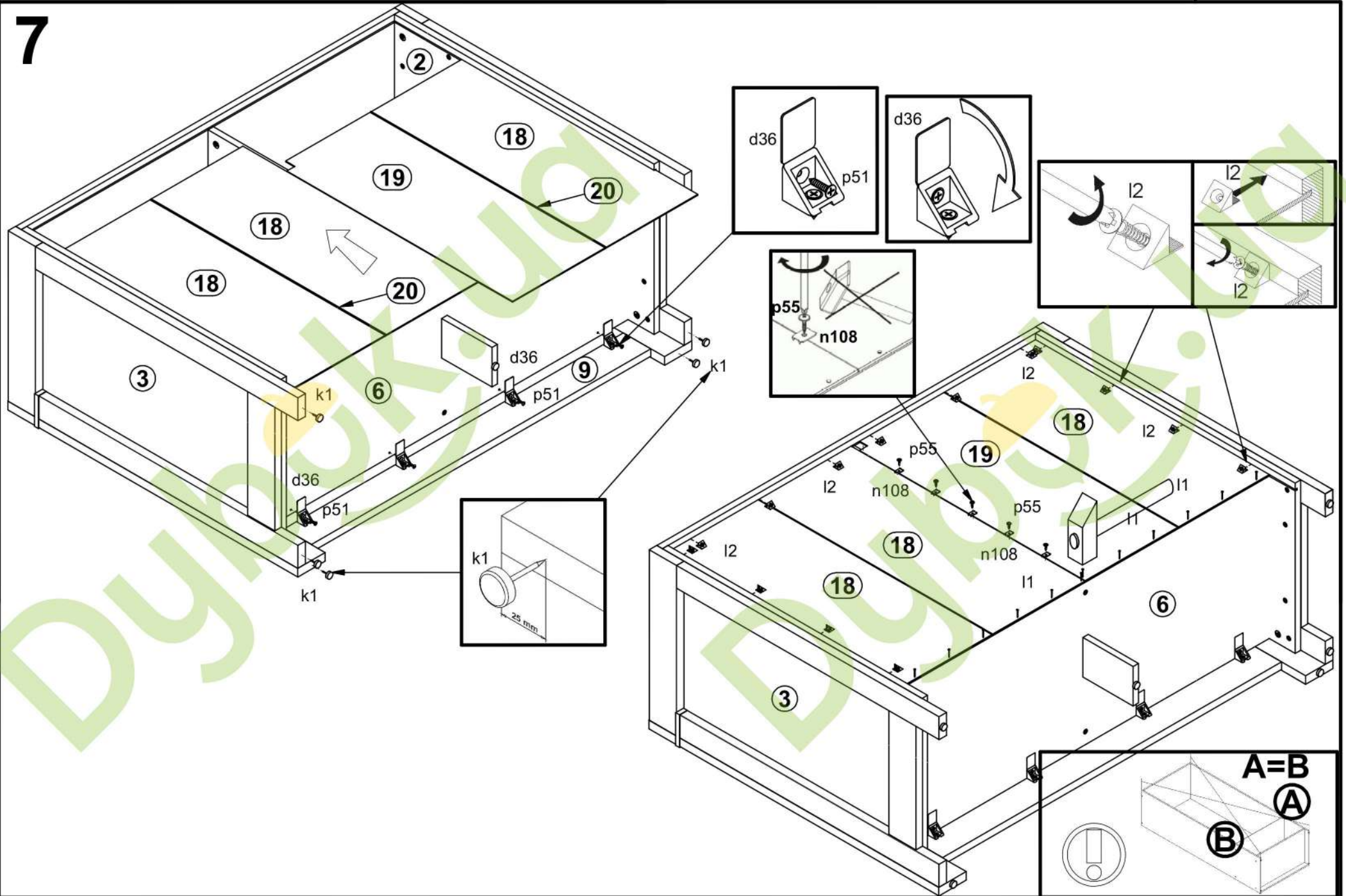
5



6



7



8

