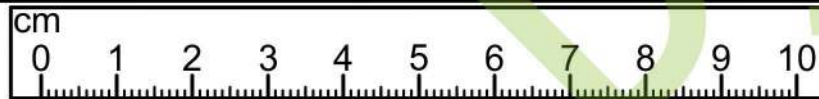


n 10 mm
n 5 mm

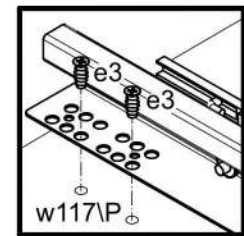
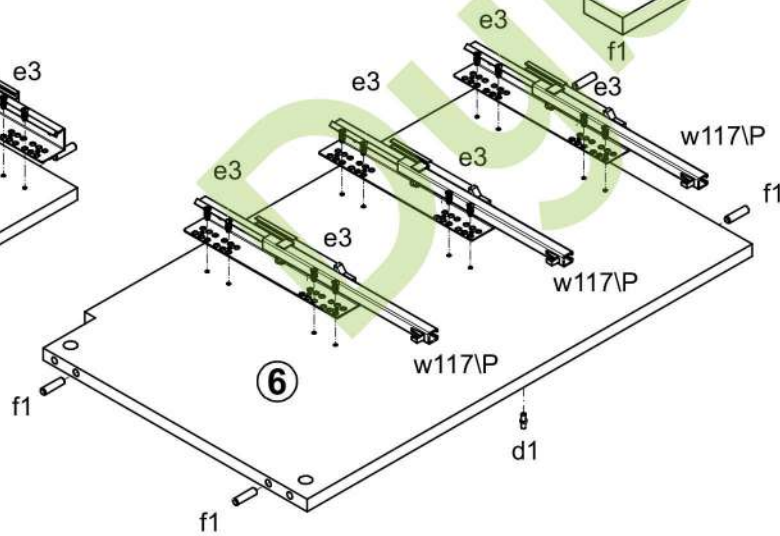
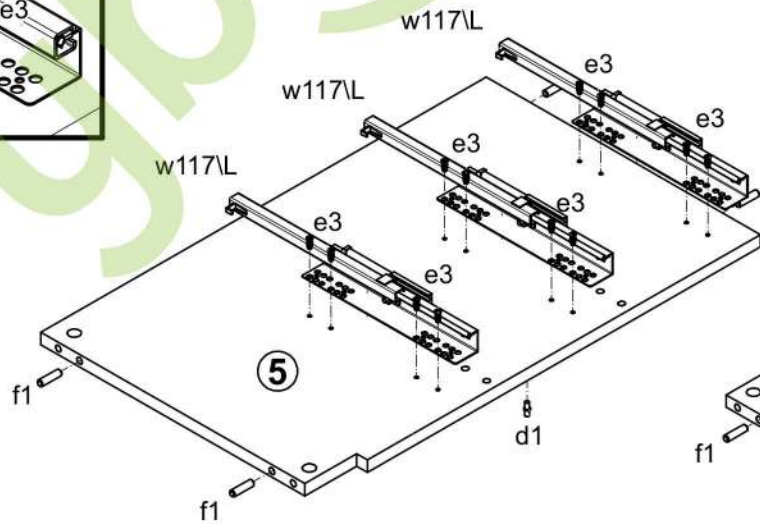
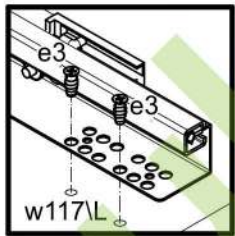
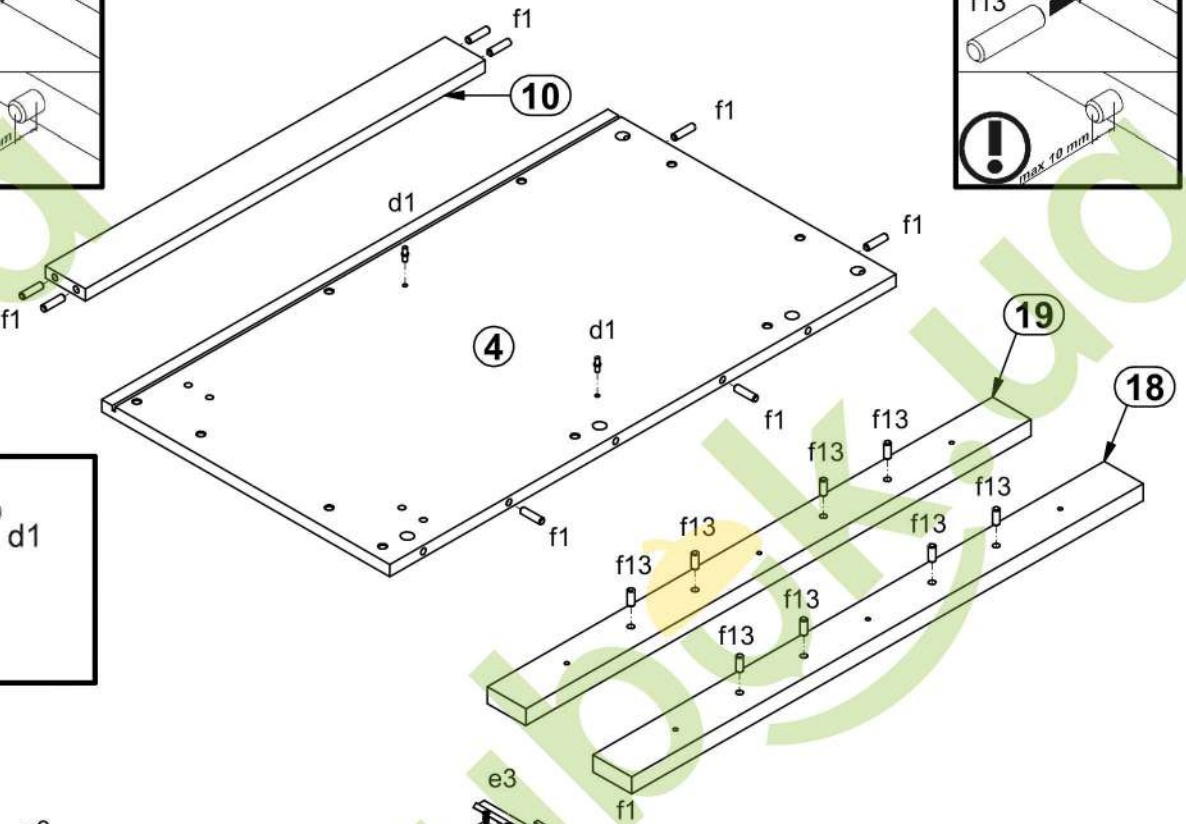
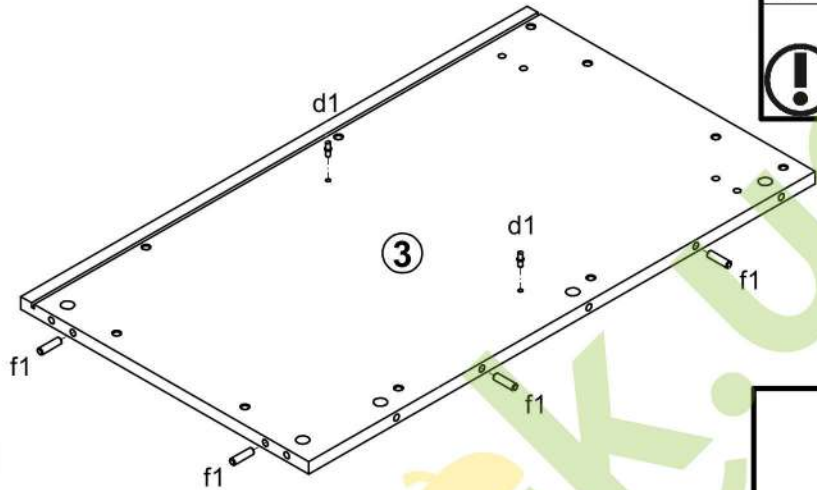
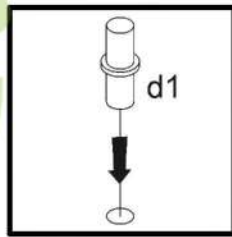
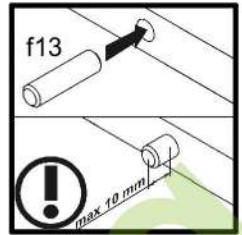
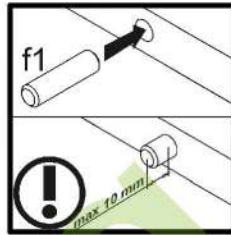
120 min

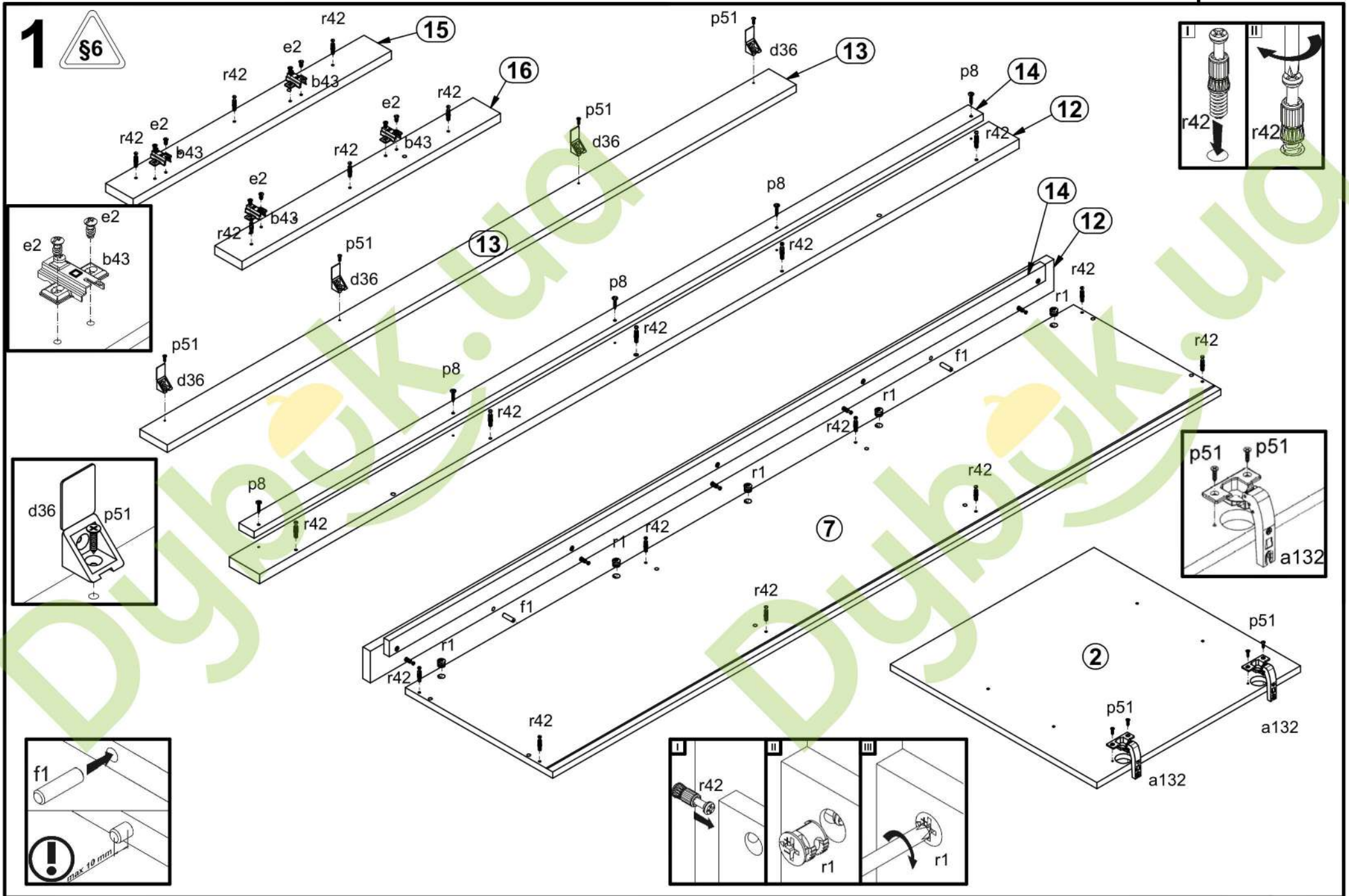
A	B	C (mm)	D
1	S228-0006	604	192
2	S228-010	596	604
3	S228-116	758	431
4	S228-117	758	431
5	S228-118	666,5	411
6	S228-119	666,5	411
7	S228-206	1955	431
8	S228-319	1923	411
9	S228-320	646	400
10	S228-405	598	60
11	S228-531	147	100
12	S228N-5518	2000	80
13	S228N-5519	1840	80
14	S228N-5520	1920	60
15	S228N-5537	756	80
16	S228N-5538	756	80
17	S228N-5539	431	80
18	S228N-5540	766	58
19	S228N-5541	756	58
20	S228N-5542	315	80
21	S228-953	686	329
22	S228-954	686	307
23	S228-9955	568	358
24	BPK-511	350	140
25	BPK-512	350	140
26	ZBK-501	558	127
27	S228-971	686	307
28	Lh-658	658	14



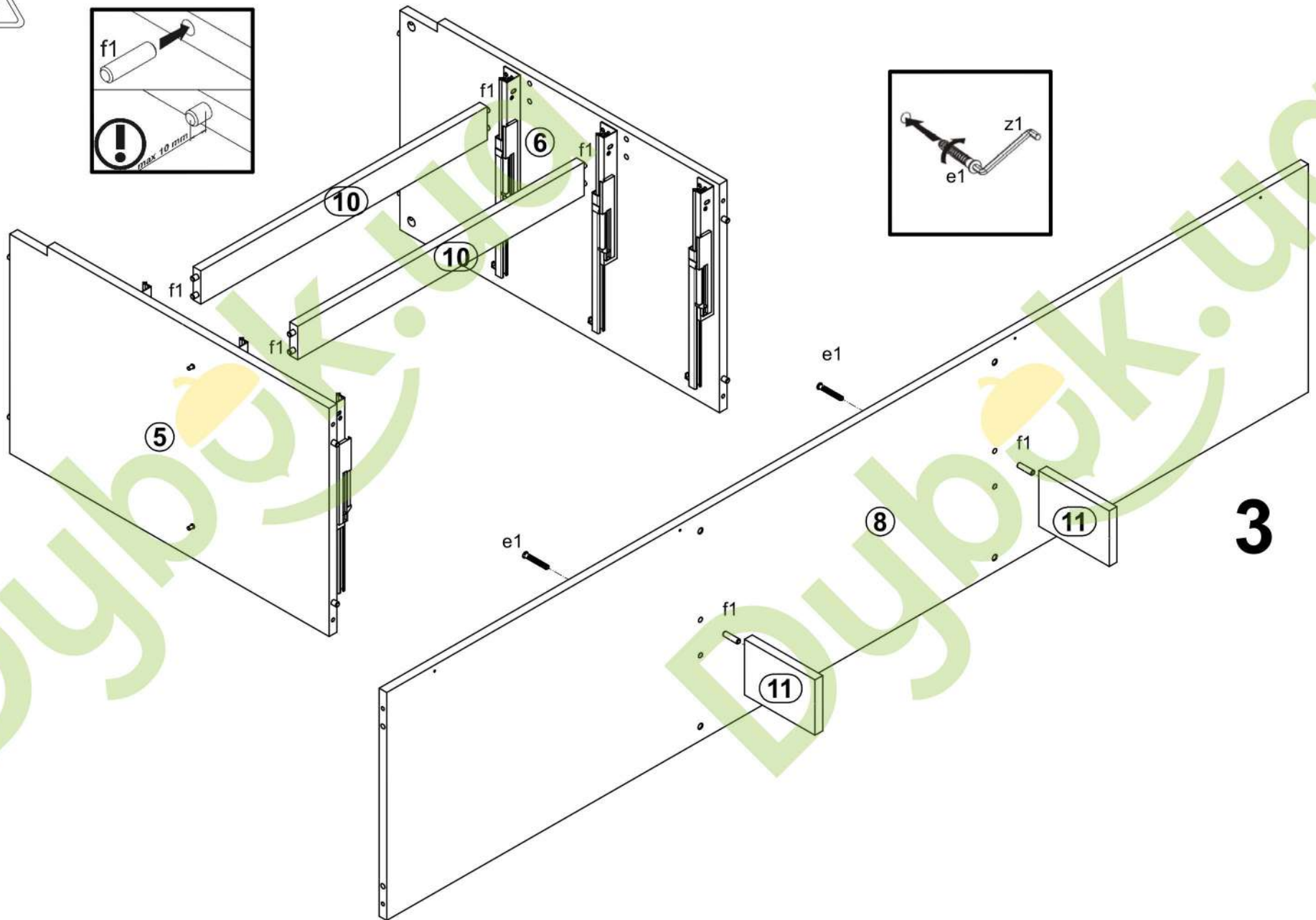
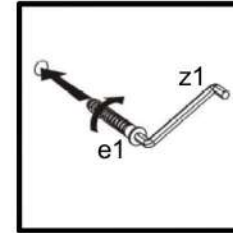
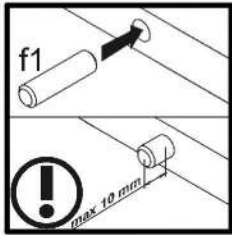
4x a132	2x a133	4x b43	5x c280	8x d1	4x d36	10x e1	8x e2	24 e3	20x e22	33x f1	16x f13	12x f25
10x j30	8x k1	2x k101	21x l1	18x l2	10x n108	1x n14	1x p17	3x p25	3x p35	20x p38	16x p51	5x p8
10x p55	4x p79	31x r1	31x r42	3x t35	3x w117L	3x w117P	1x z1	10x s1	8x s2	4x o21	1x f35	

1



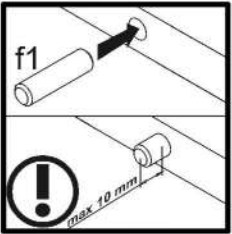
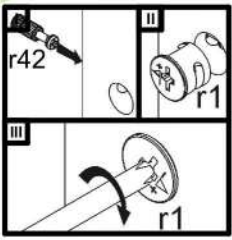
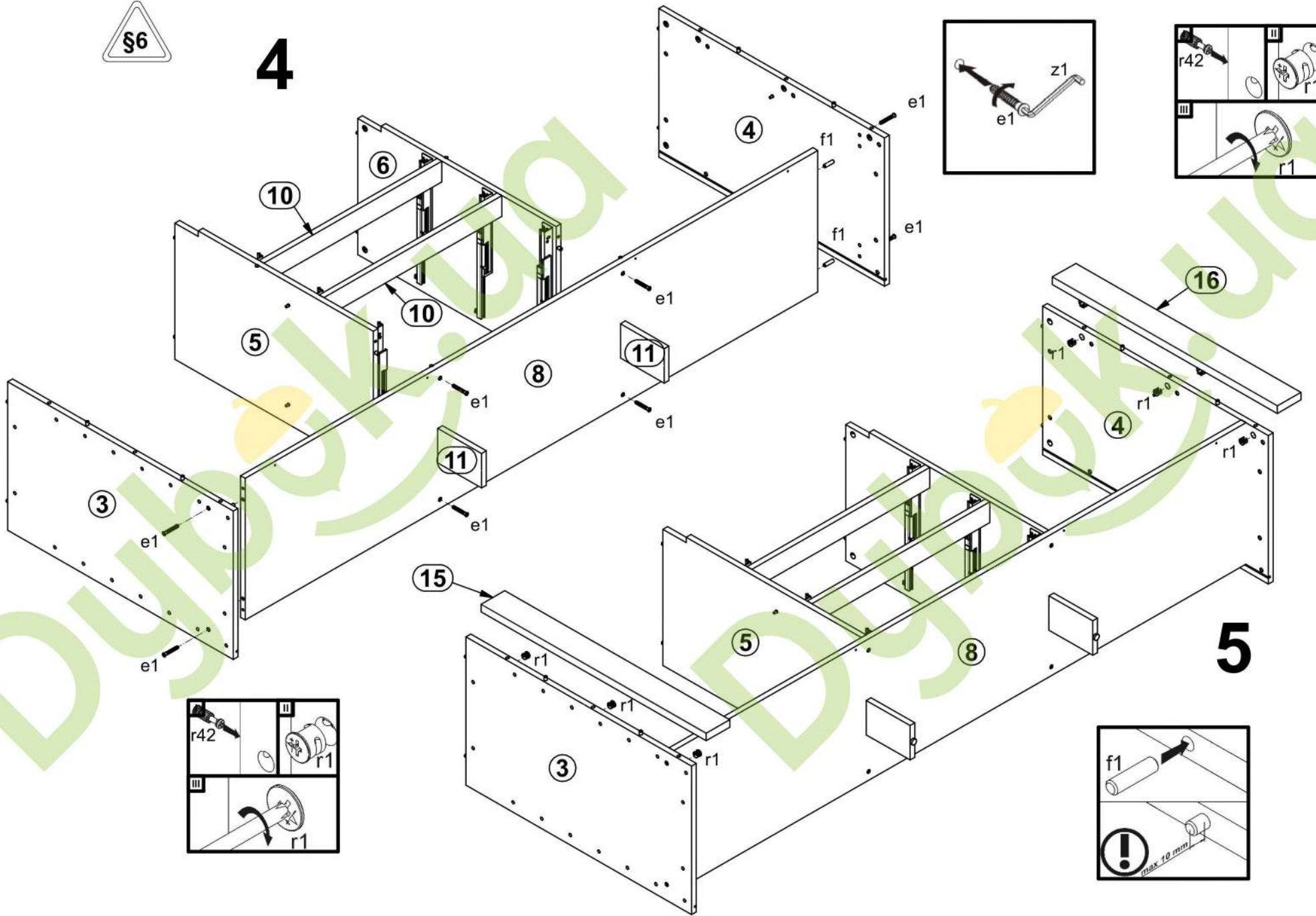
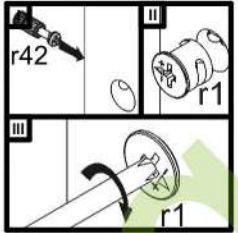
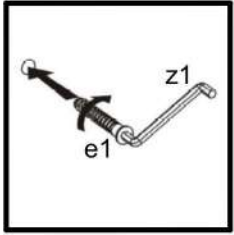


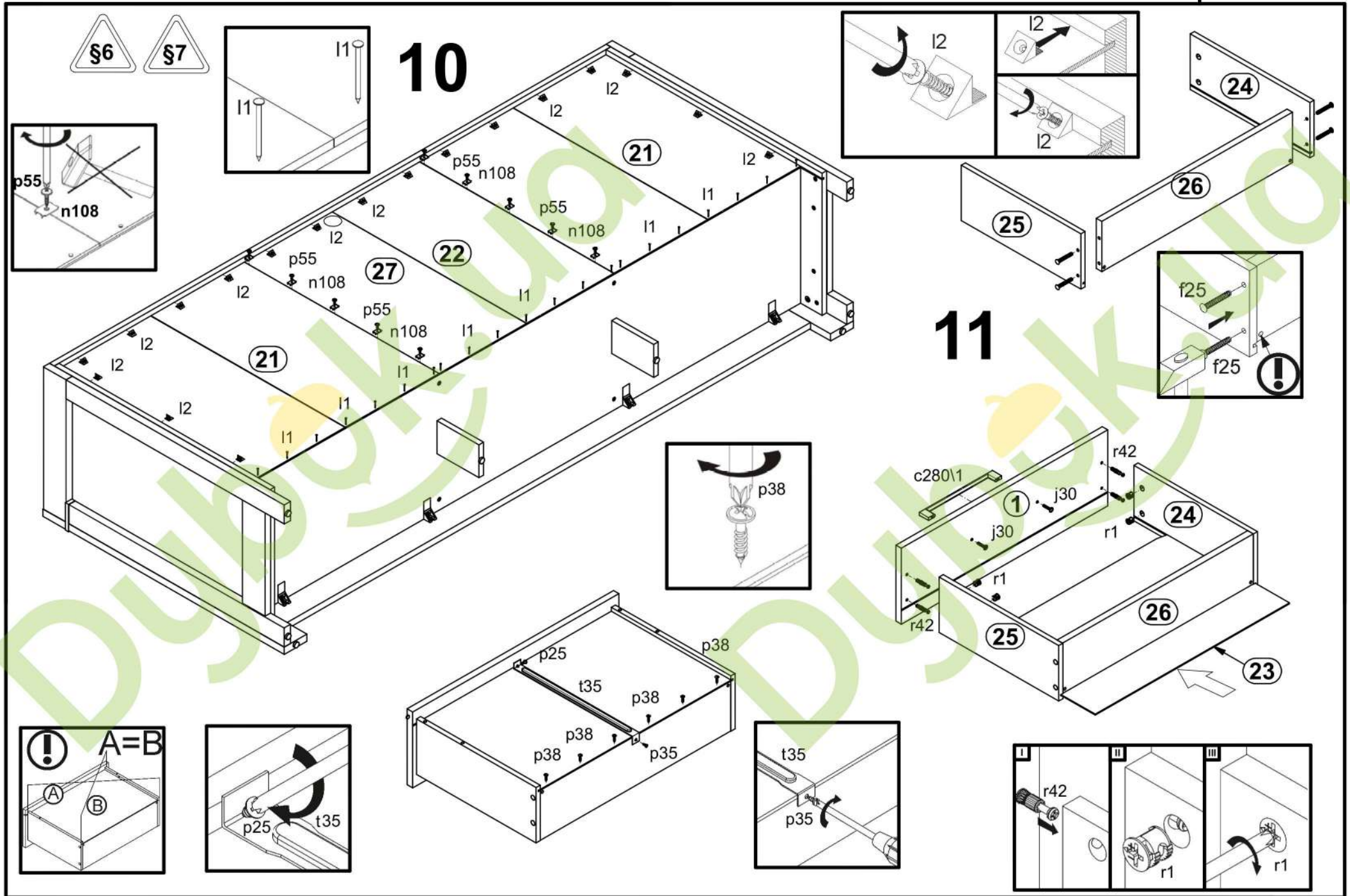
2





4





12

