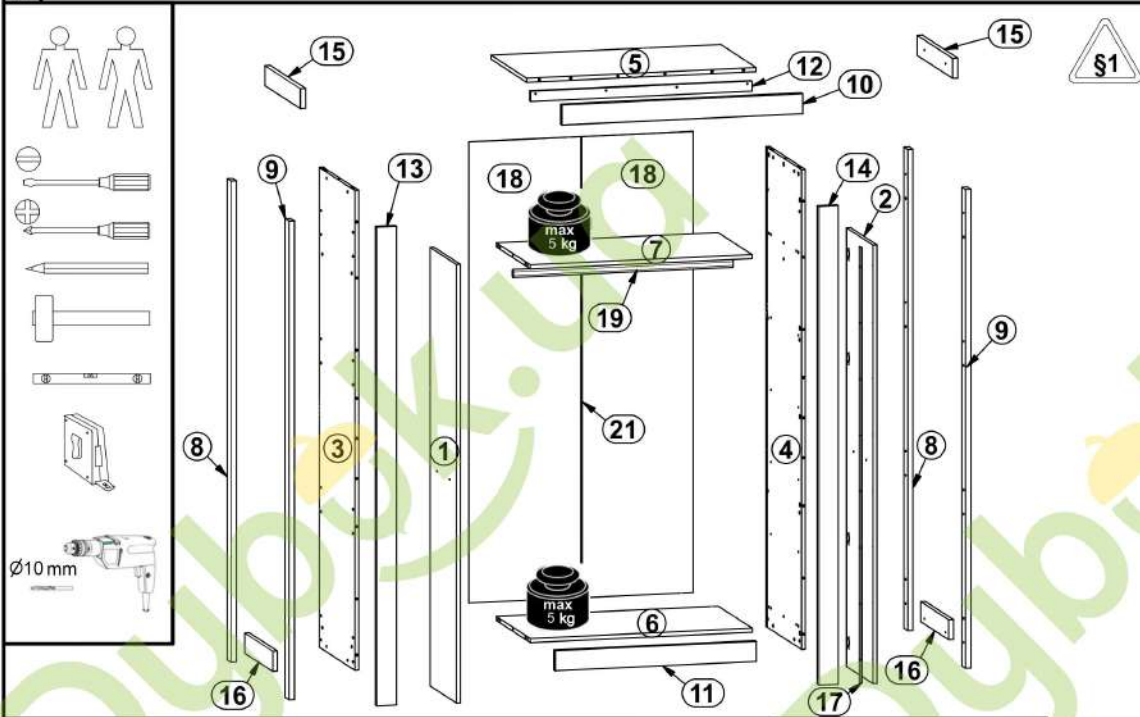


A S228-SZF2D/20/10

GERMAN

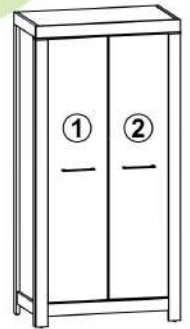
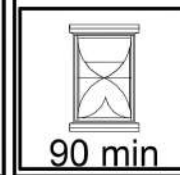


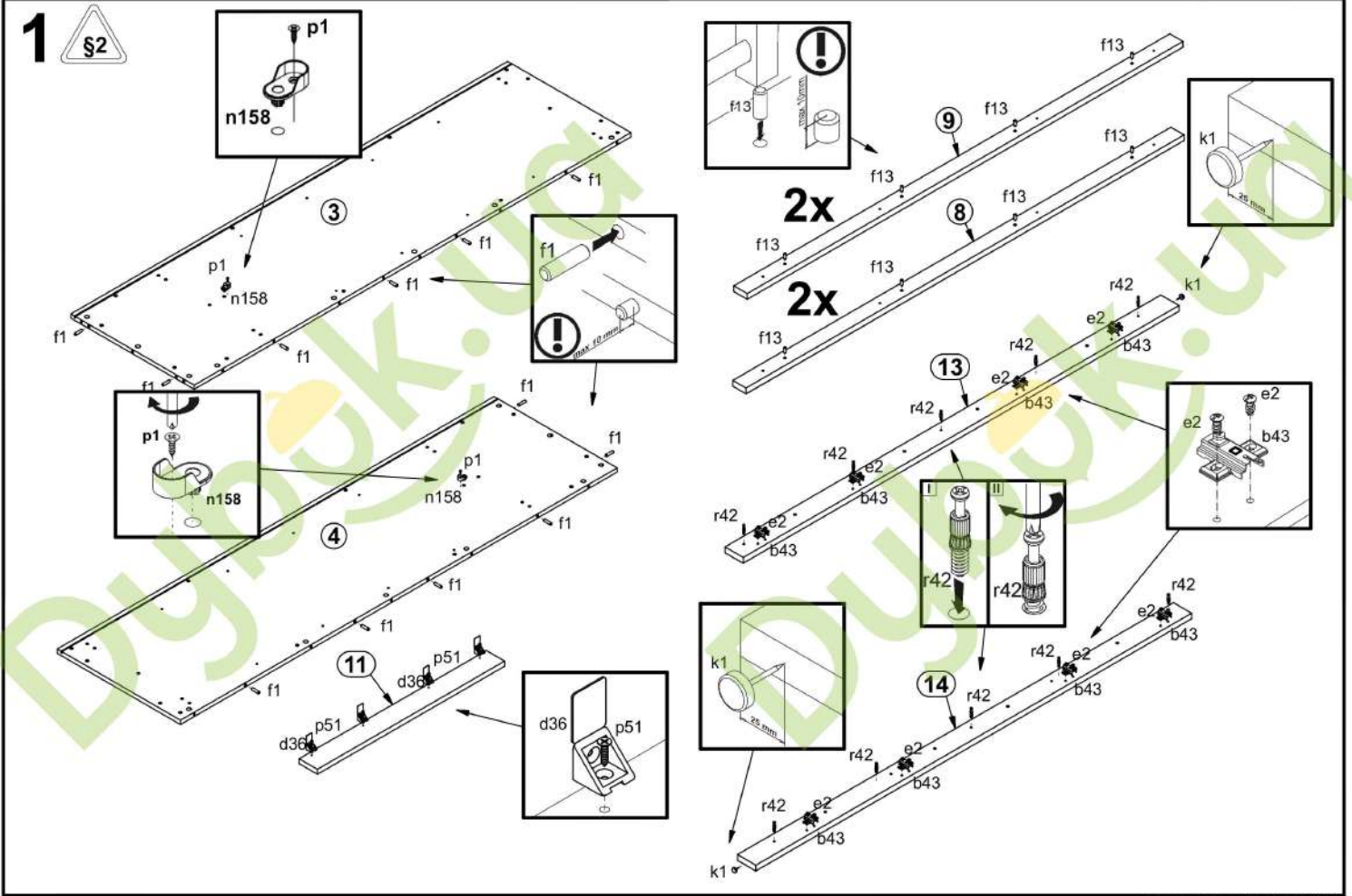
A	B	C (mm)	D	
1	S228-016	1750	402	3/4
2	S228-017	1750	402	3/4
3	S228-130	1914	540	1/4
4	S228-131	1914	540	1/4
5	S228-211	936	540	1/4
6	S228-330	904	520	1/4
7	S228-331	904	517	1/4
8	S228N-5507	1920	58	2/4
9	S228N-5509	1910	58	2/4
10	S228N-5554	981	80	2/4
11	S228N-5555	820	80	2/4
12	S228N-5556	902	60	1/4
13	S228N-5557	1910	80	2/4
14	S228N-5558	1910	80	2/4
15	S228N-5581	540	80	2/4
16	S228N-5583	424	80	2/4
17	S228-582	1738	29	1/4
18	S228-961	1840	456	1/4
19	dr-897x30	897	30	1/4
20	S228-3332	903	515	4/4
21	Lh-1810	1810	14	1/4

Tools and hardware list:

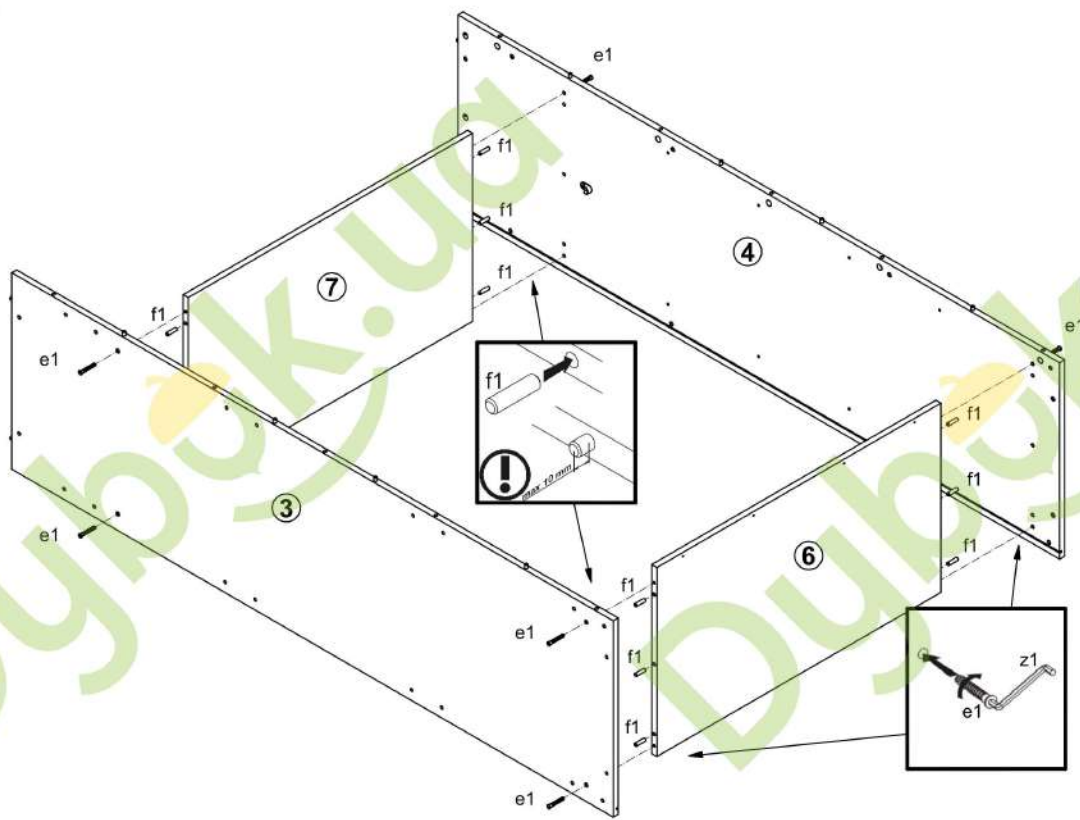
- 8x a132
- 4x a133
- 8x b43
- 2x c280/l
- 4x d36
- 8x e1
- 16x e2
- 24x e22
- 26x f1
- 16x f13
- 1x f35
- 6x k1
- 4x j30
- 2x k101
- 20x l1
- 14x l2
- 1x n14/l2
- 2x n158
- 4x o21
- 2x p1
- 4x p8
- 1x p17
- 10x p38
- 24x p51
- 4x p79
- 20x r1
- 20x r42
- 16x s1
- 12x s2
- 1x z1
- 16x d1

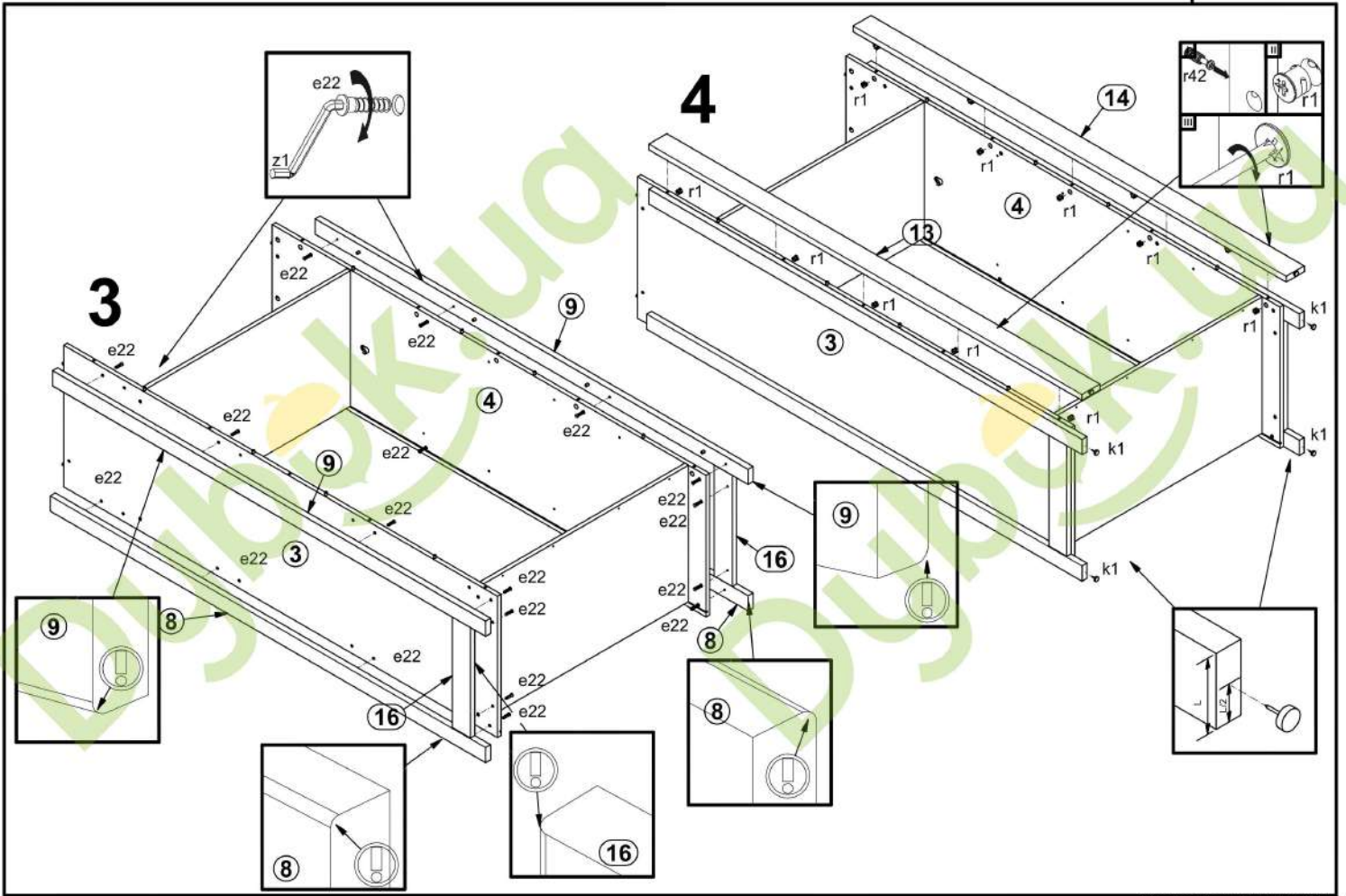
cm ruler: 0 1 2 3 4 5 6 7 8 9 10

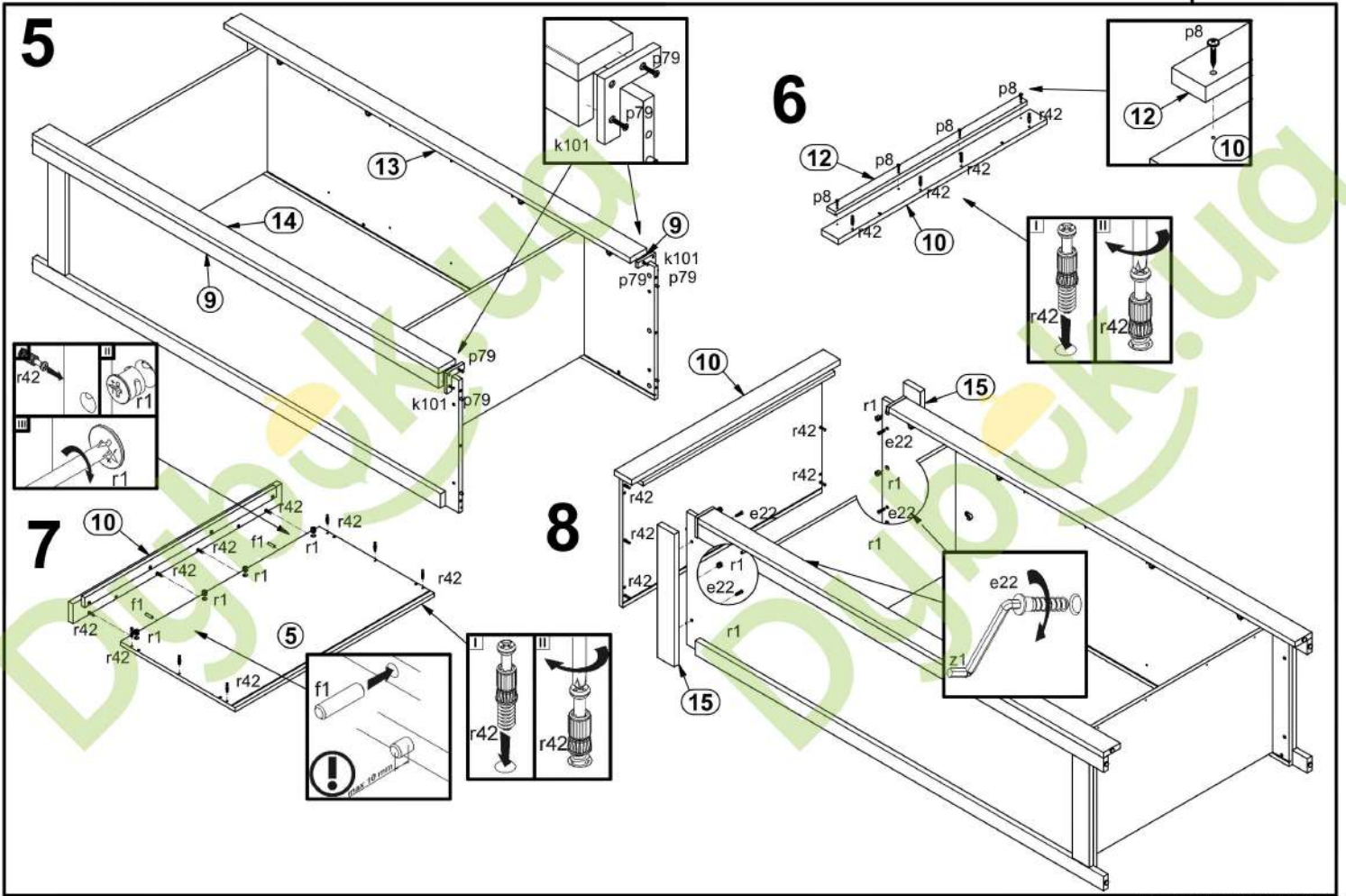


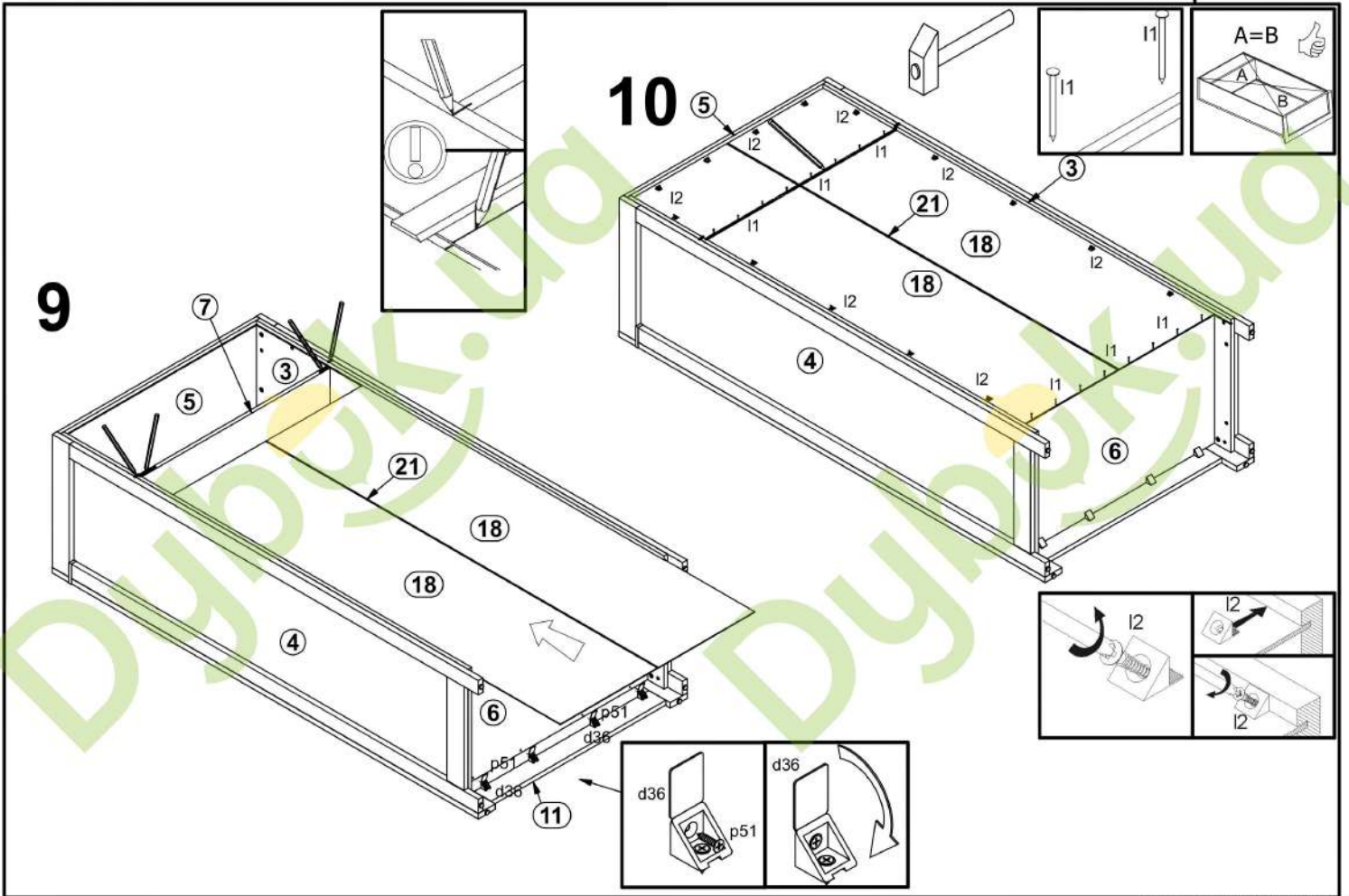


2 

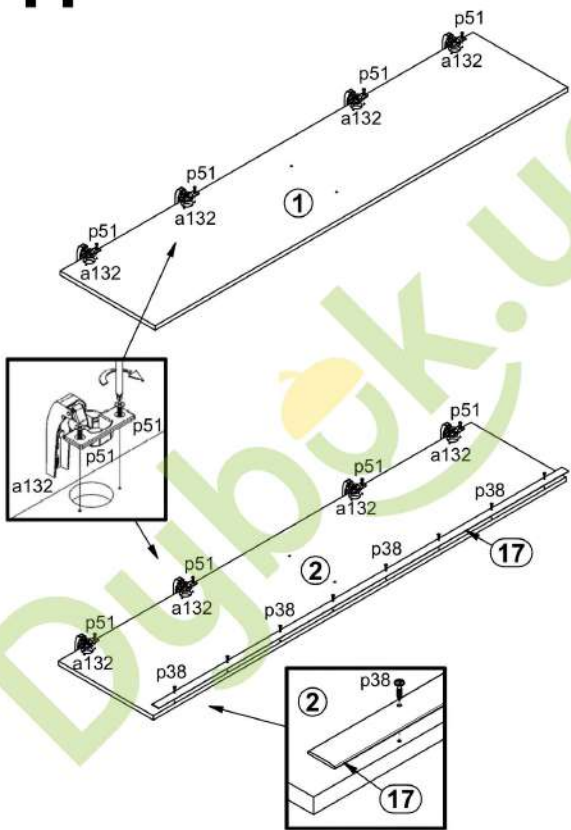




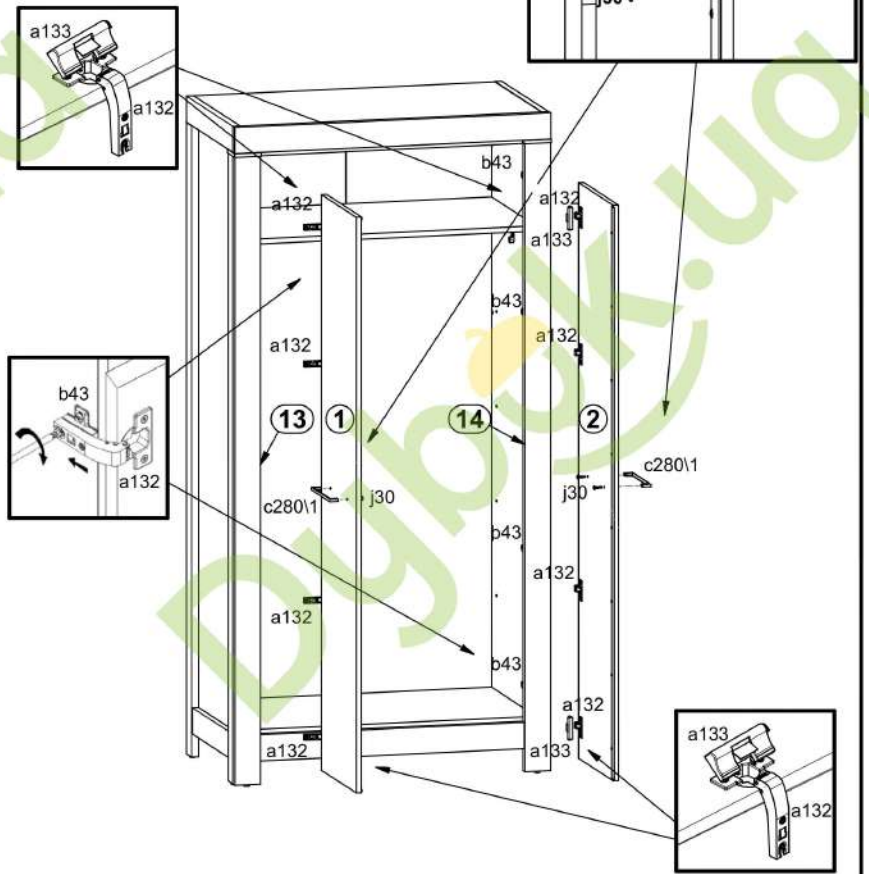




11



12



13

