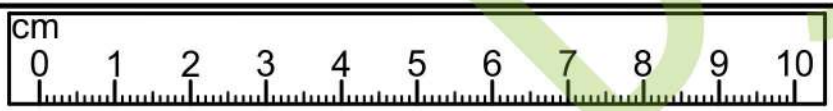


A	B	C (mm)		D
1	S228-0040	1945	496	4/5
2	S228-0060	1945	496	5/5
3	S228-1150	2109	540	1/5
4	S228-1151	2109	540	1/5
5	S228-1152	2015,5	520	1/5
6	S228-2230	1630	540	2/5
7	S228-3350	1598	520	2/5
8	S228-3351	1044	517	2/5
9	S228-3352	537	515	2/5
10	S228-3353	538	520	2/5
11	S228-531	147	100	2/5
12	S228N-5581	540	80	2/5
13	S228N-5596	2115	58	3/5
14	S228N-5583	424	80	2/5
15	S228N-5597	2105	58	3/5
16	S228N-5585	1675	80	3/5
17	S228N-5598	1514	80	3/5
18	S228N-5593	1042	60	2/5
19	S228N-5599	2105	80	3/5
20	S228N-5600	2105	80	3/5
21	S228-5595	536	60	2/5
22	S228-5591	1945	29	4/5
23	S228-980	2035	552	5/5
24	S228-981	2035	528	1/5
25	dr-1040	1040	30	2/5
26	Lh-2005	2005	14	1/5

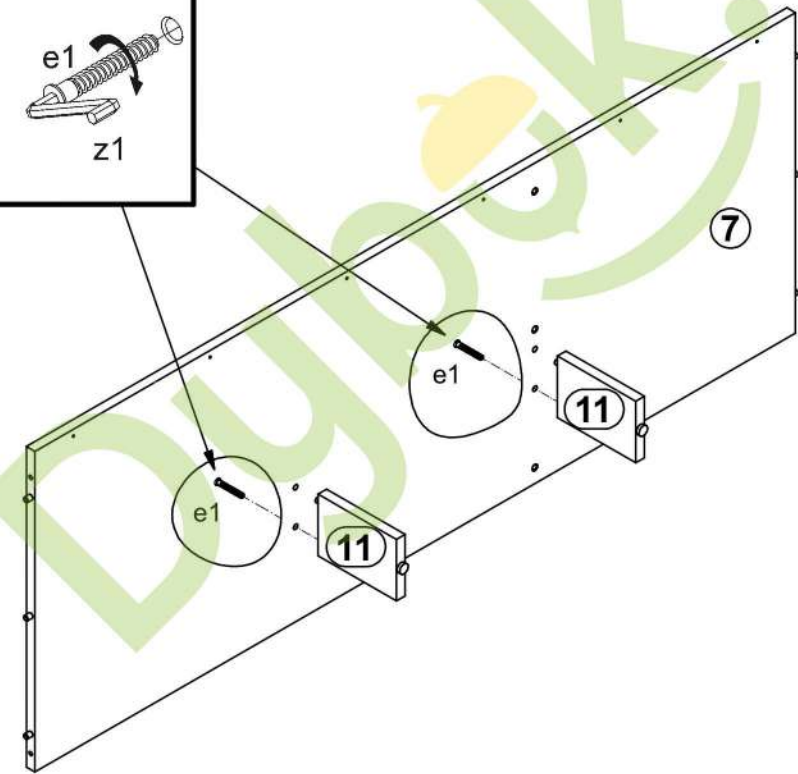
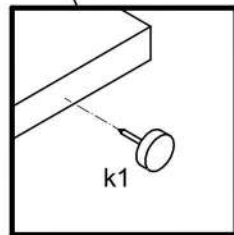
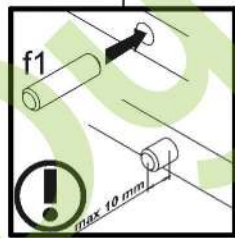
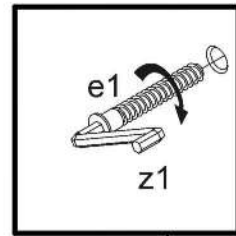
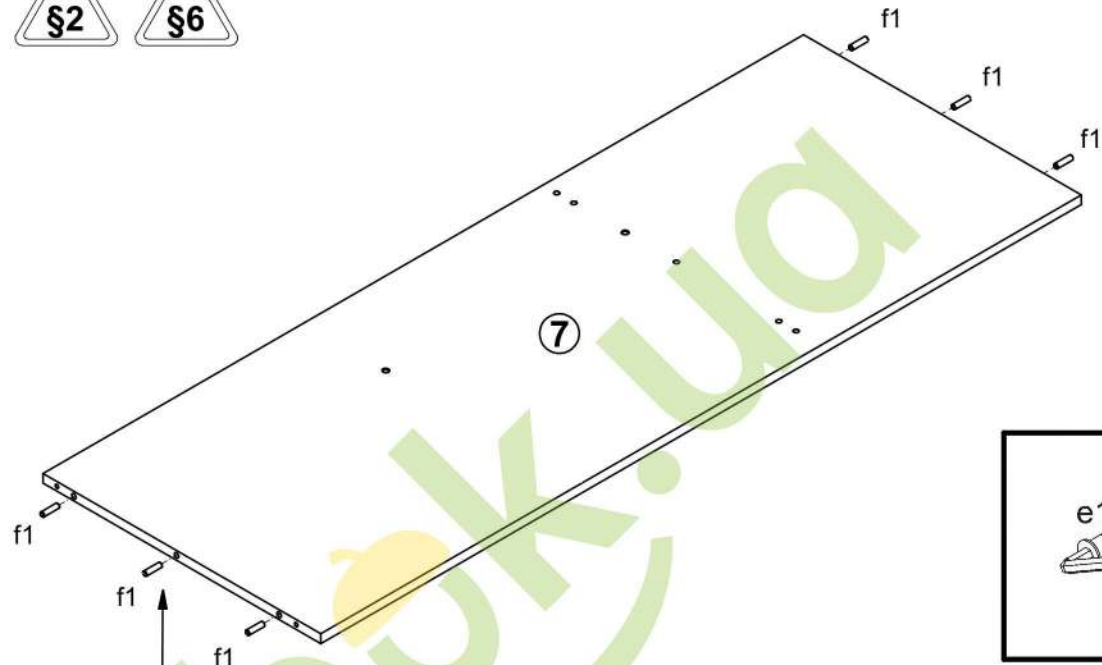
Ø10mm

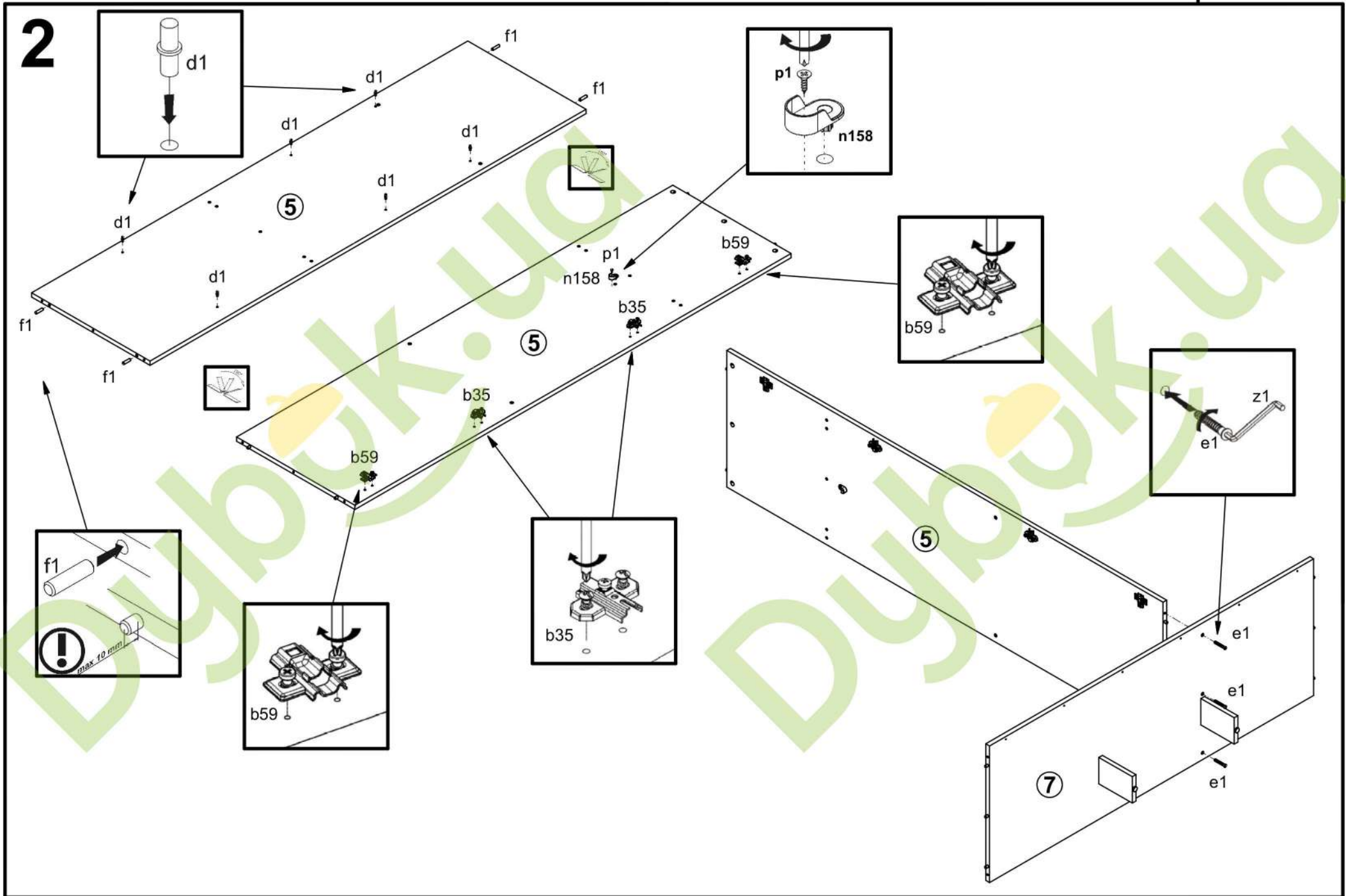
120 min



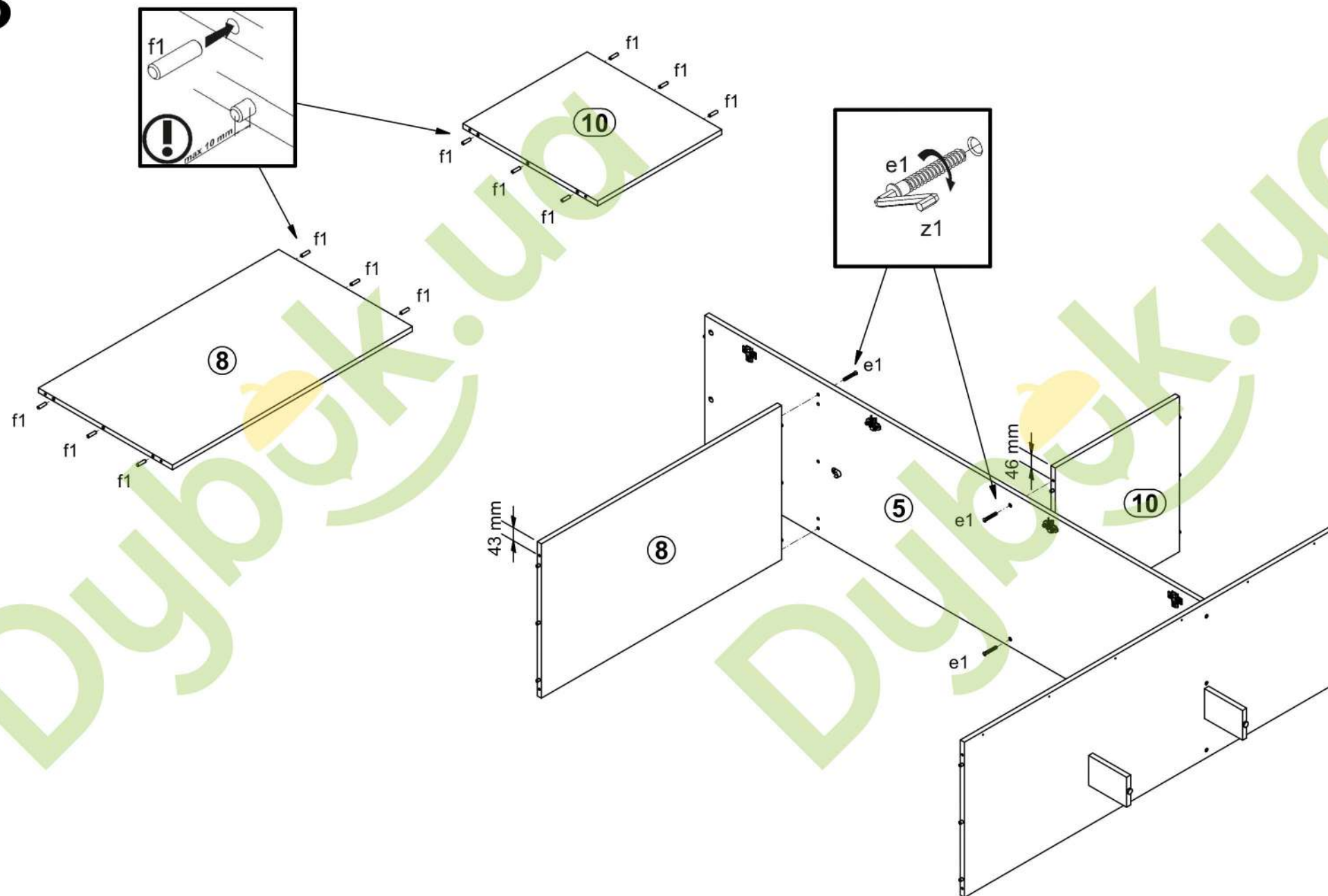
2x a103	8x a132	4x a133	2x a68	2x b35	8x b43	2x b59	2x c280/1	12x d1	6x d36	17x e1	16x e2	24x e22
40x f1	16x f13	1x f35	4x j30	8x k1	2x k101	30x l1	18x l2	1x n14/2	10x n108	2x n158	2x p1	1x p17
11x p38	36x p51	10x p55	4x p79	6x p8	25x r1	25x r42	20x s1	17x s2	1x z1			

1

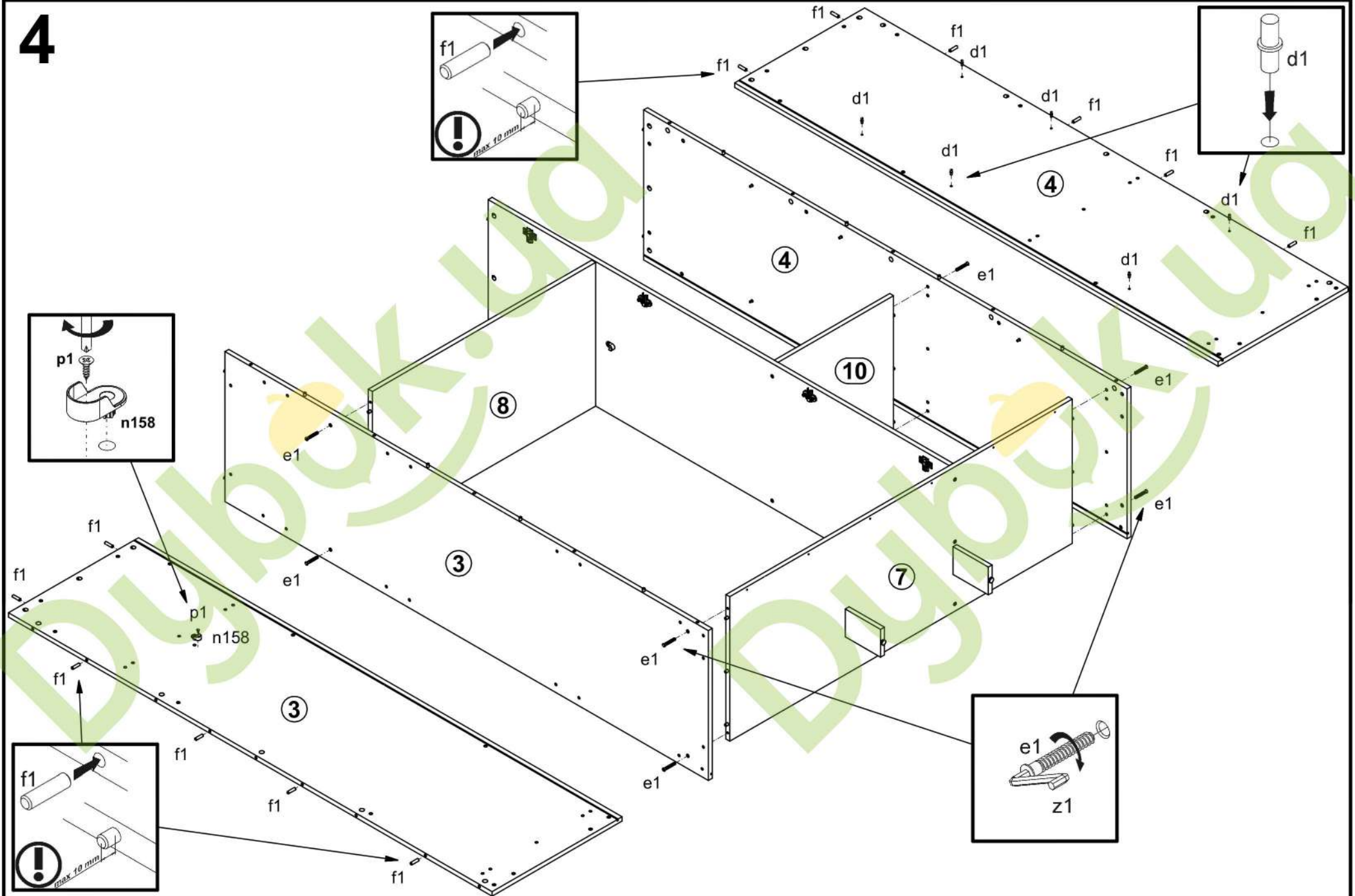




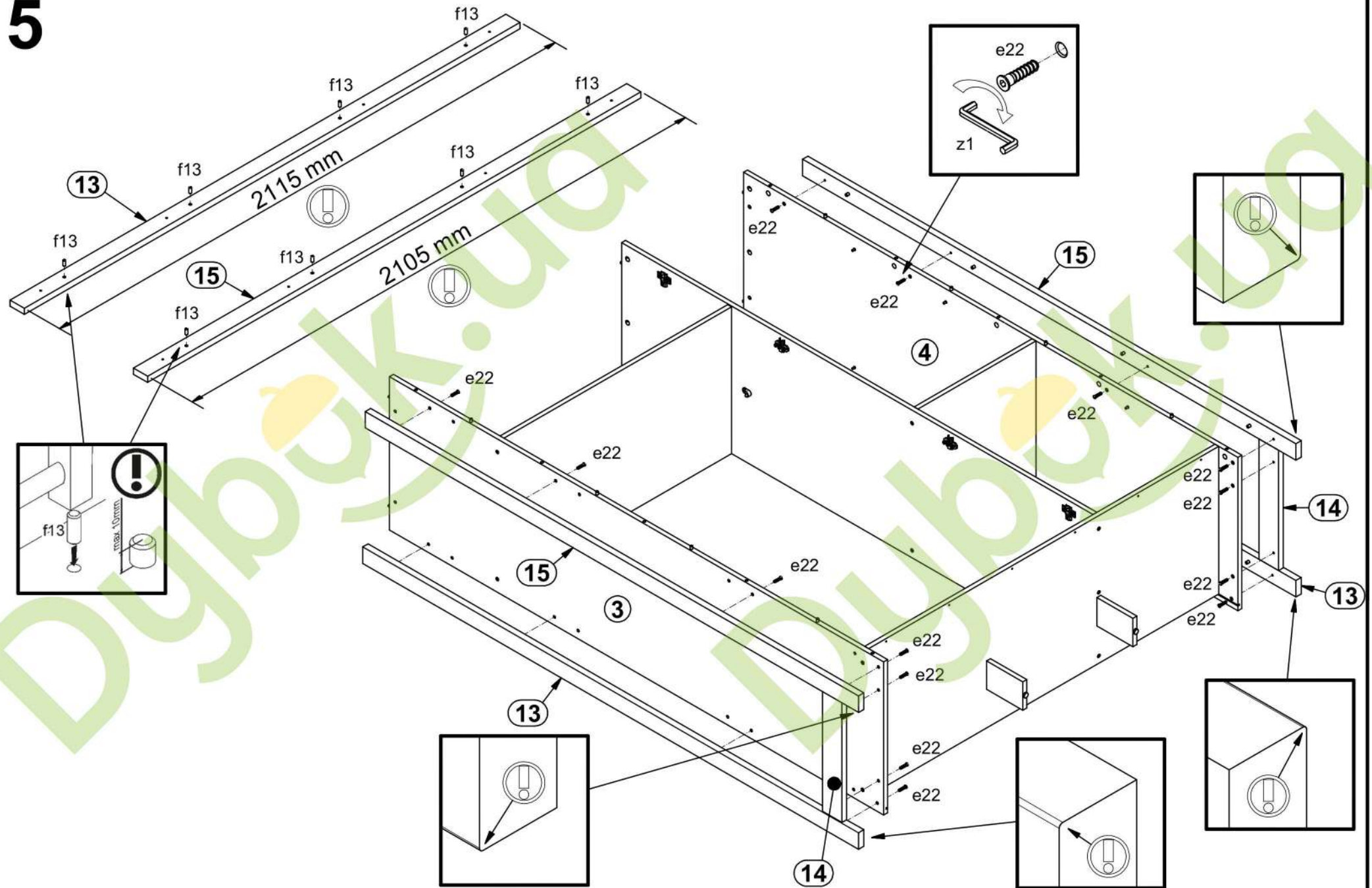
3



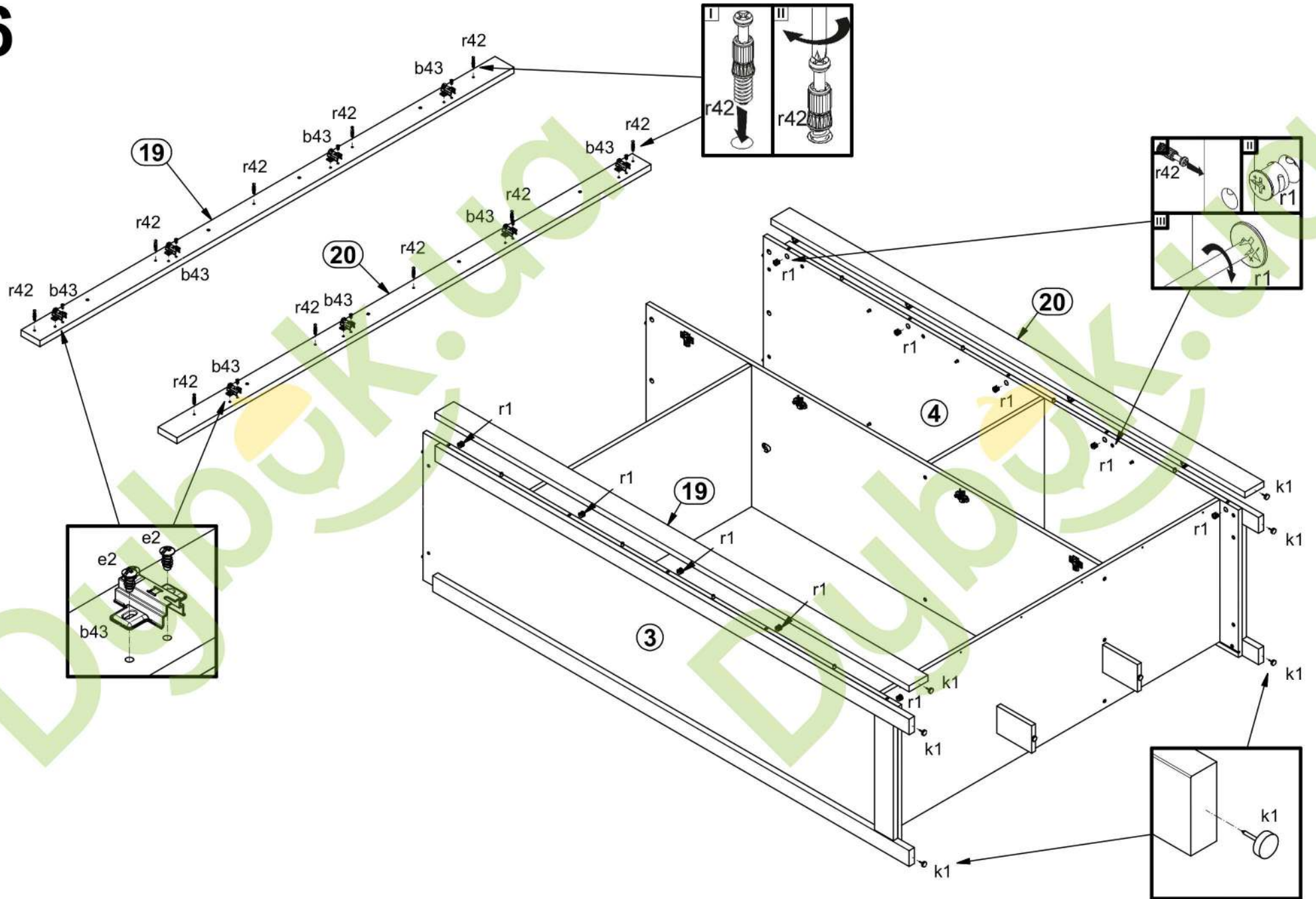
4

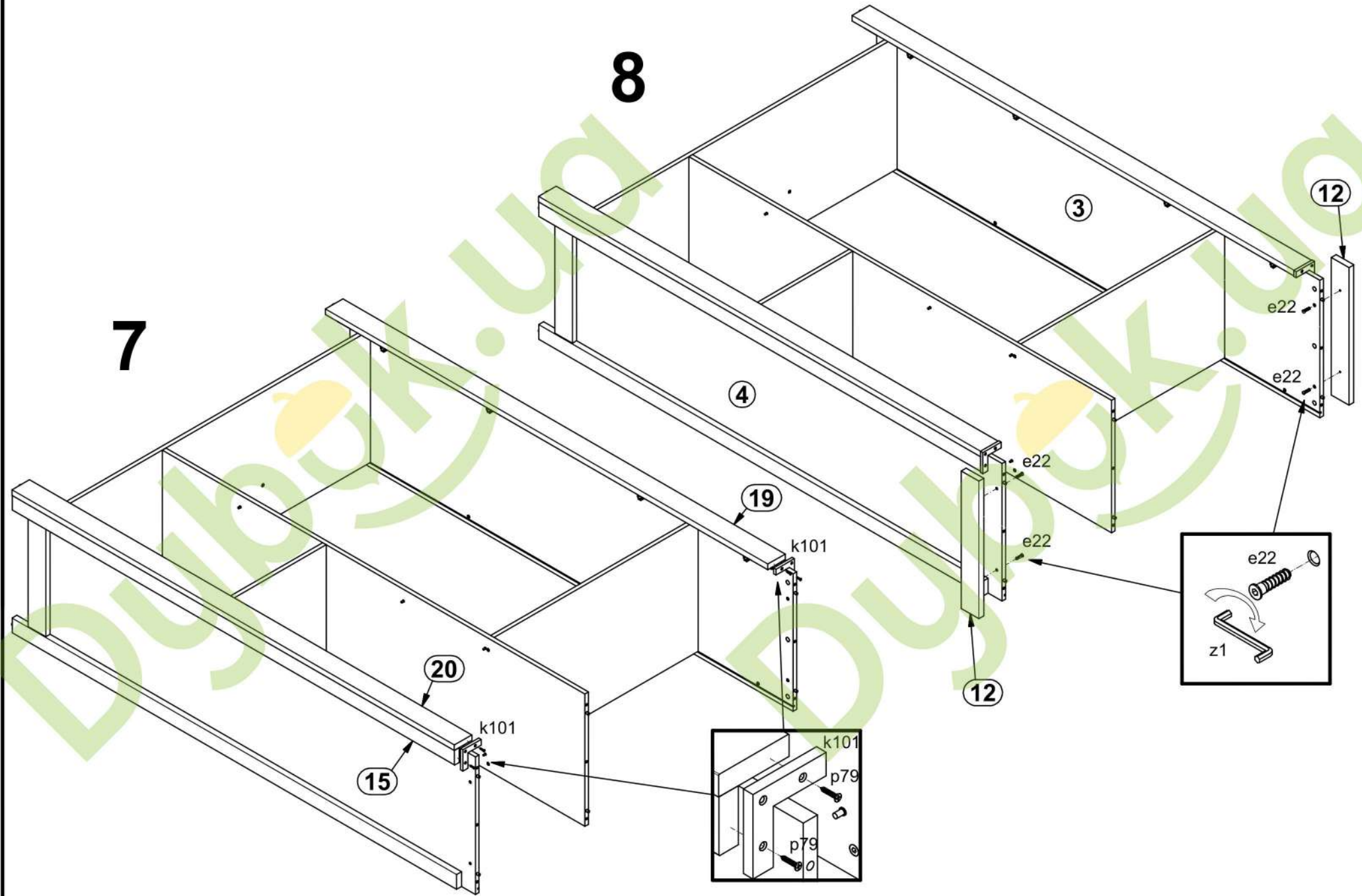


5



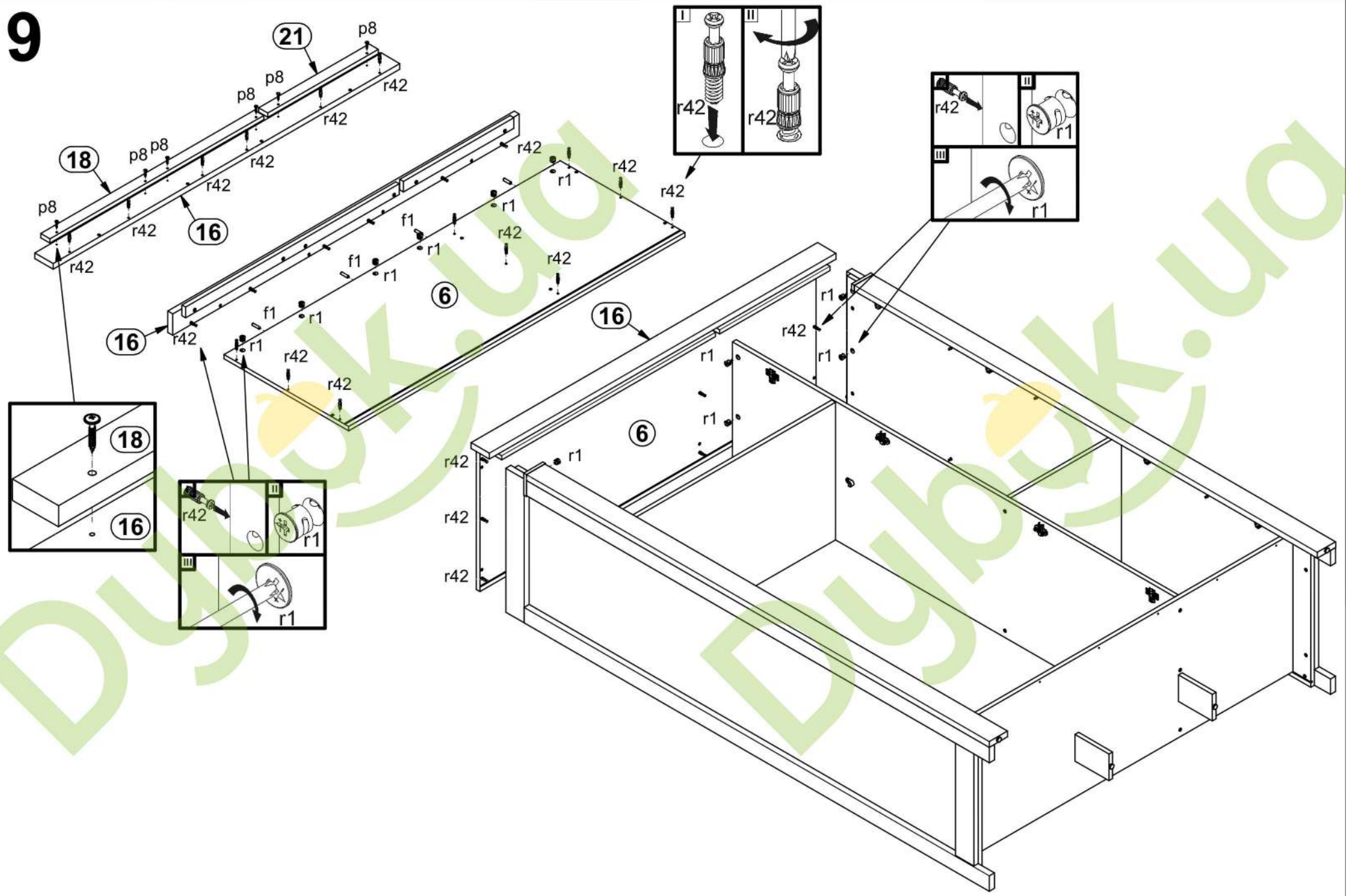
6



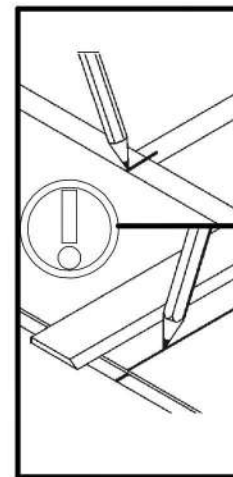
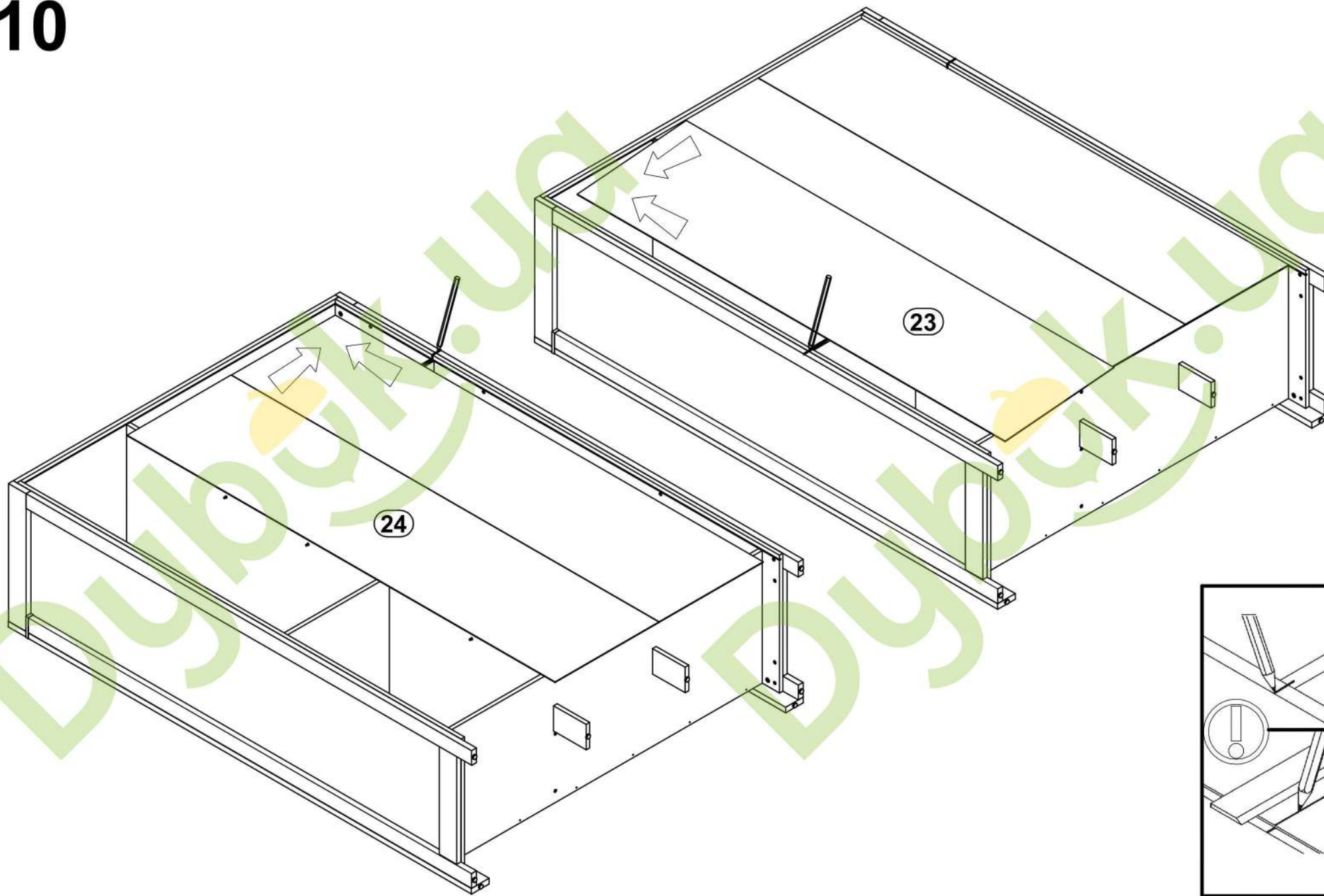




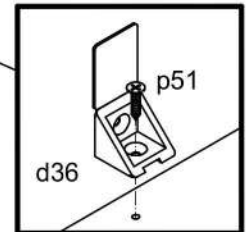
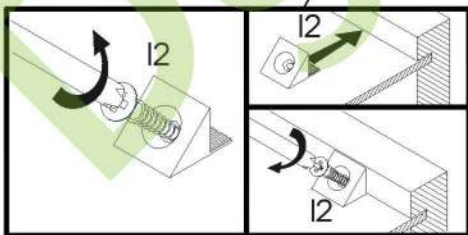
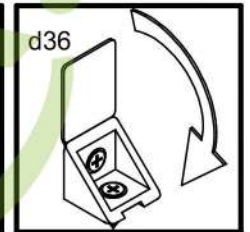
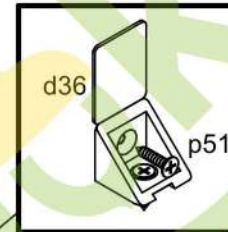
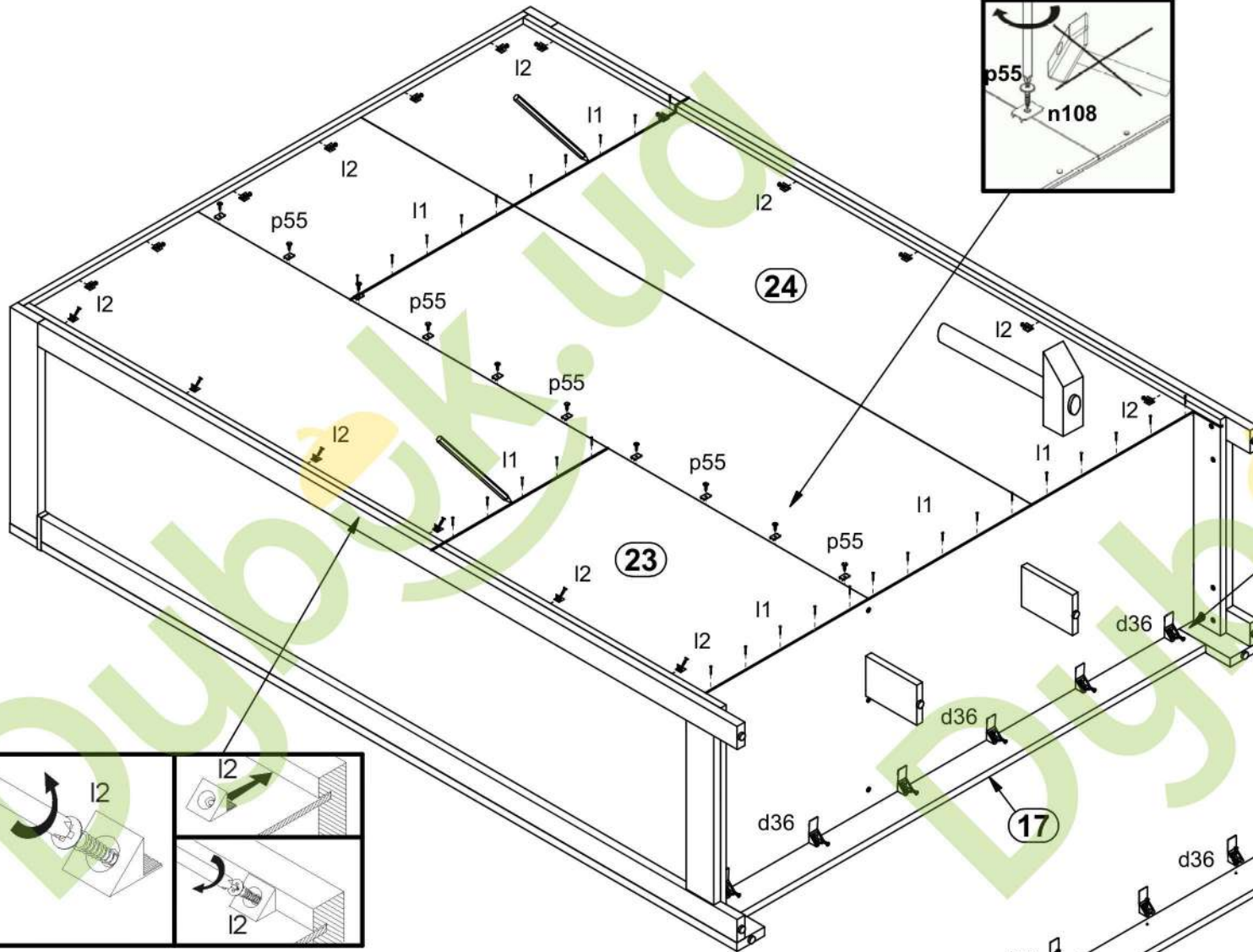
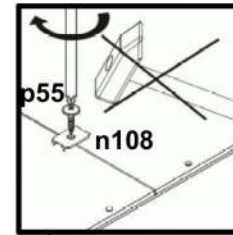
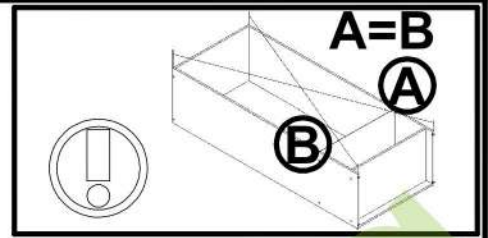
9



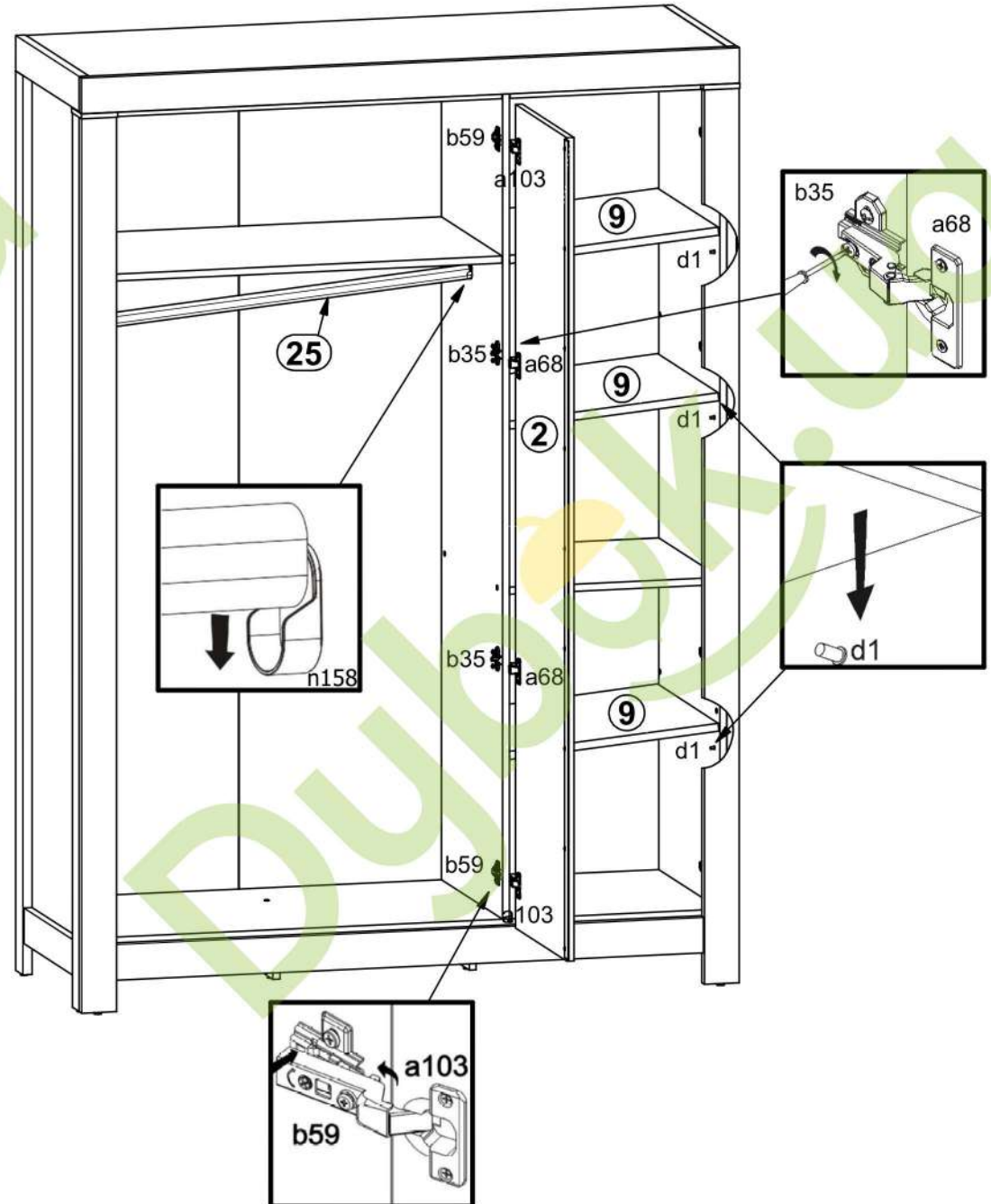
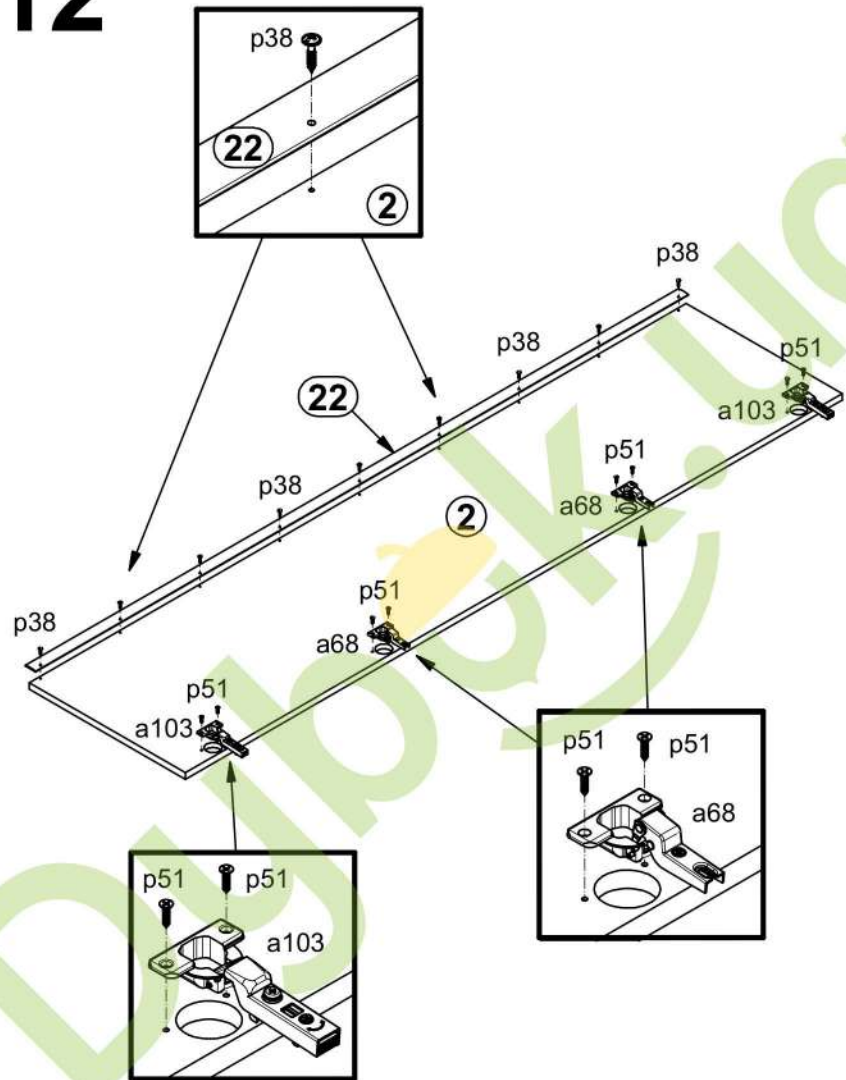
# 10



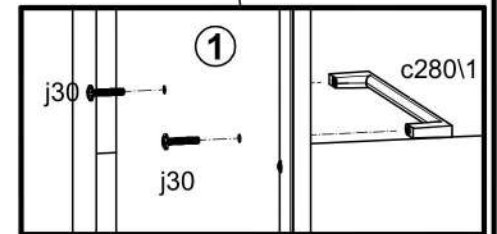
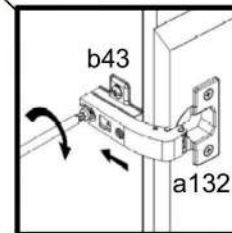
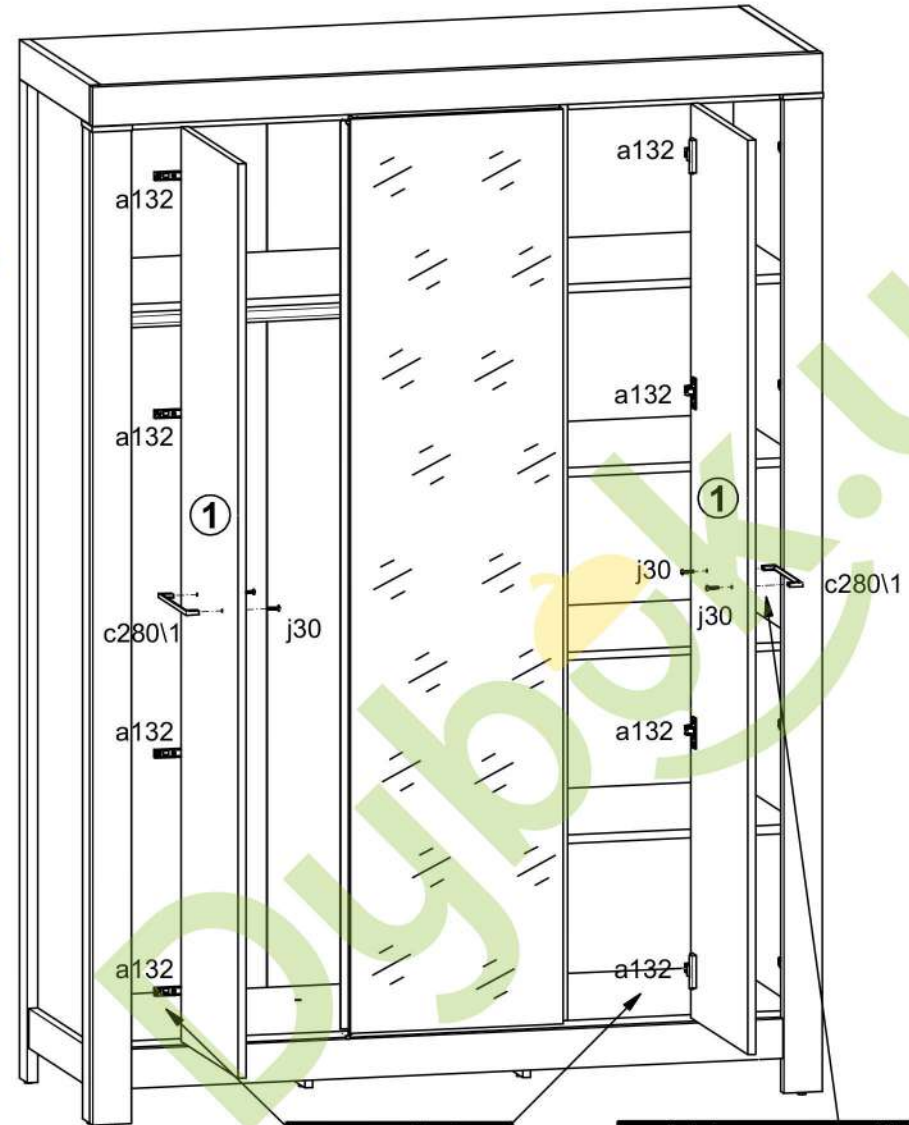
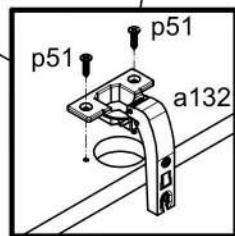
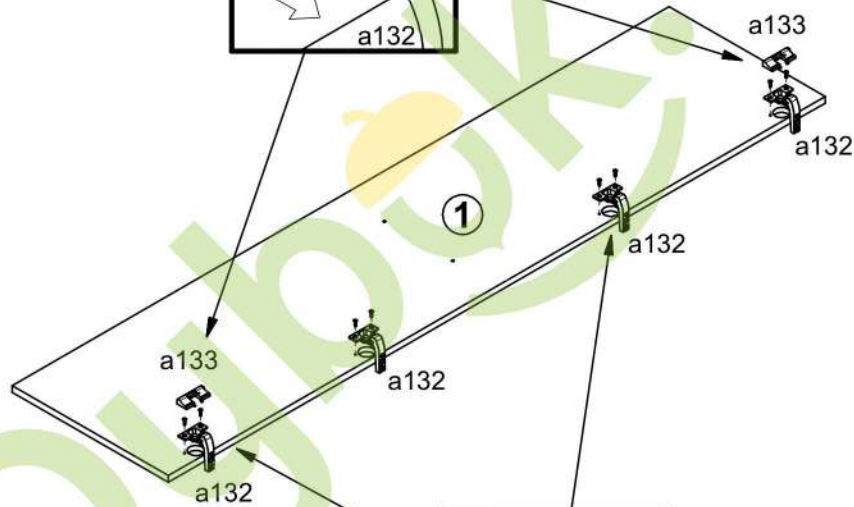
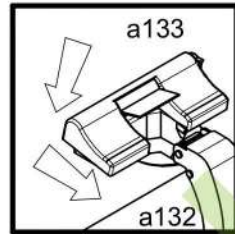
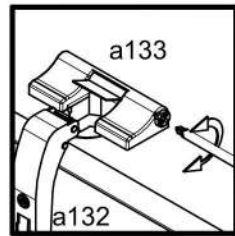
11



12



# 13



# 14

