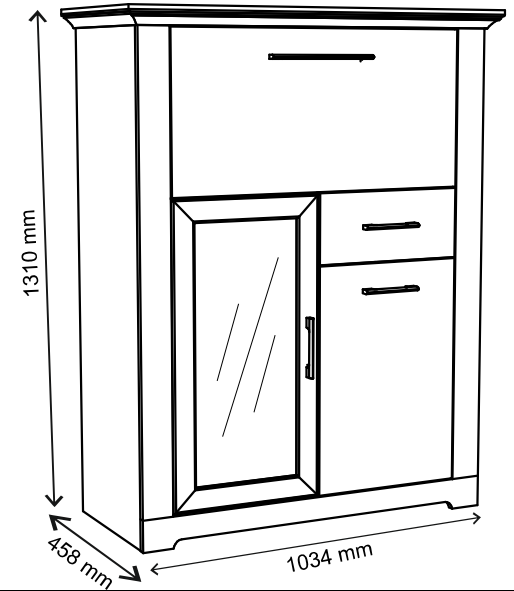
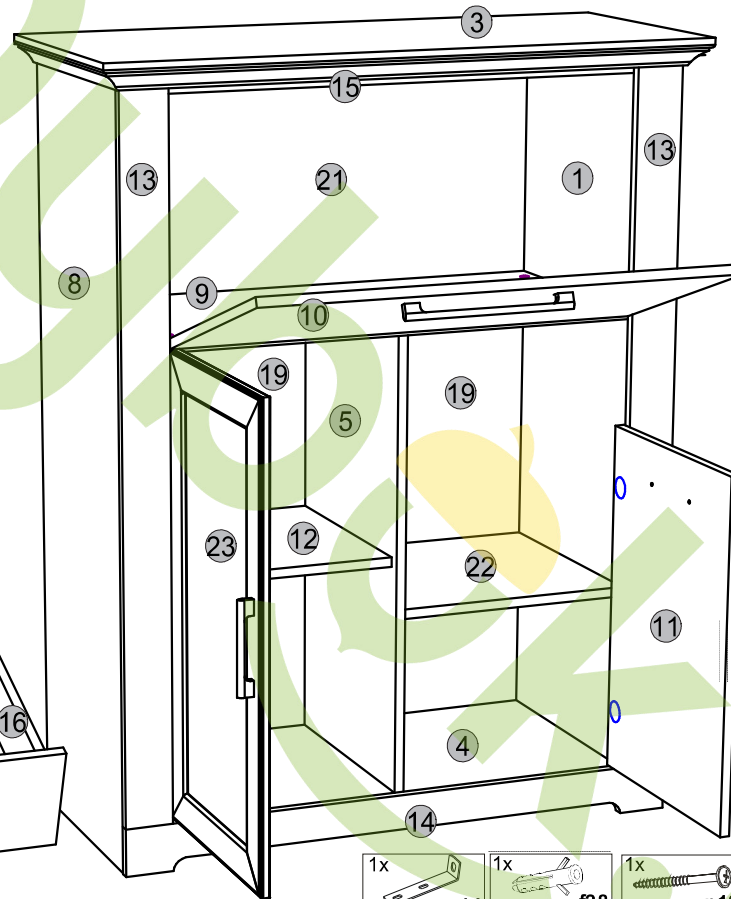
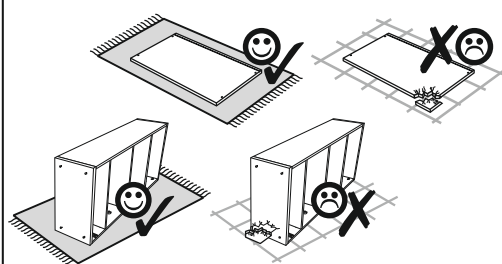
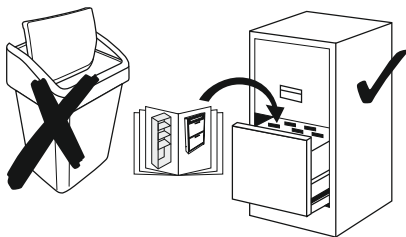
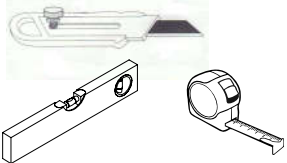
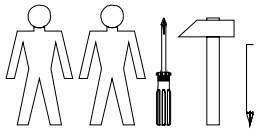
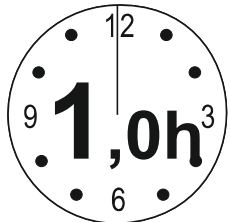


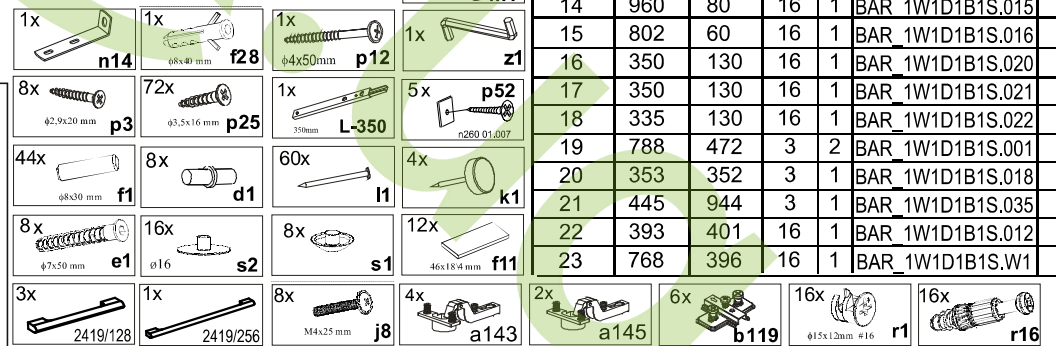


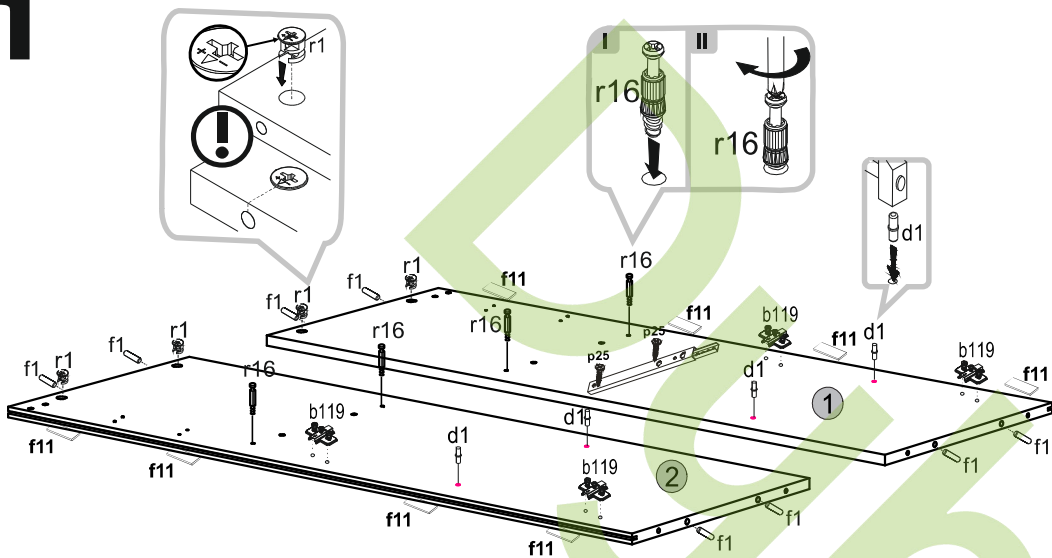
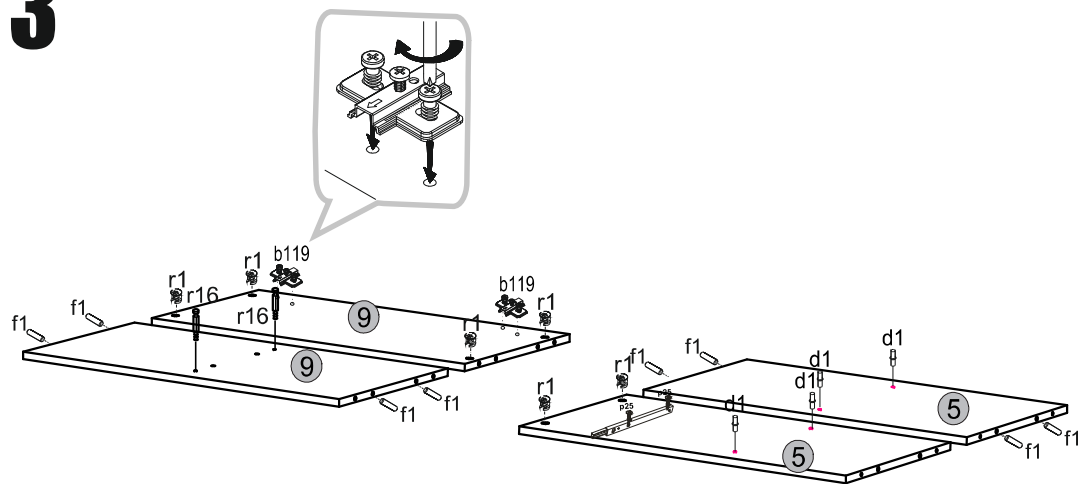
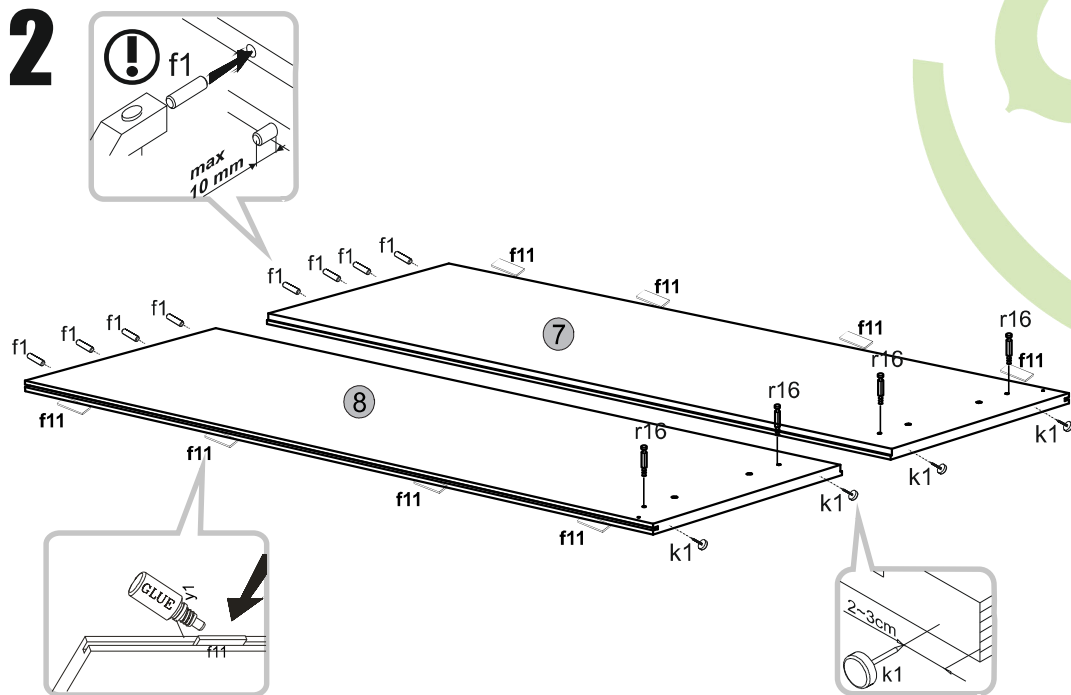
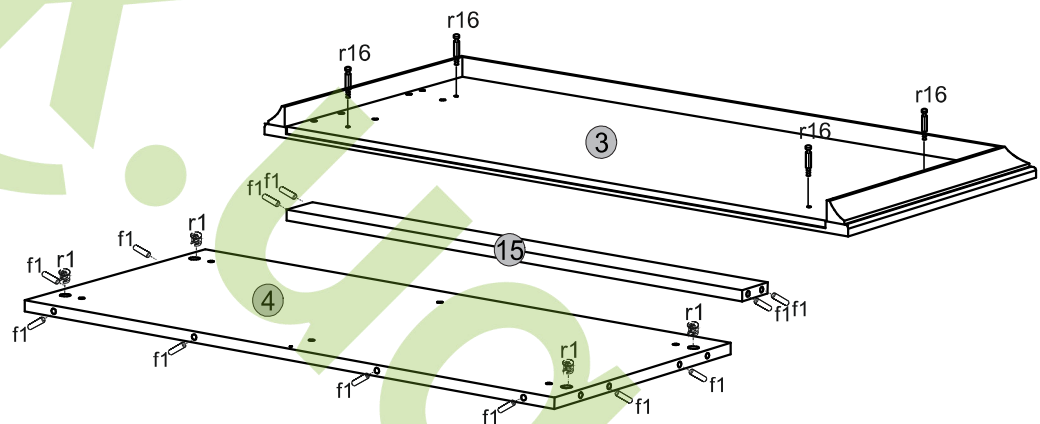
# Instalation manual

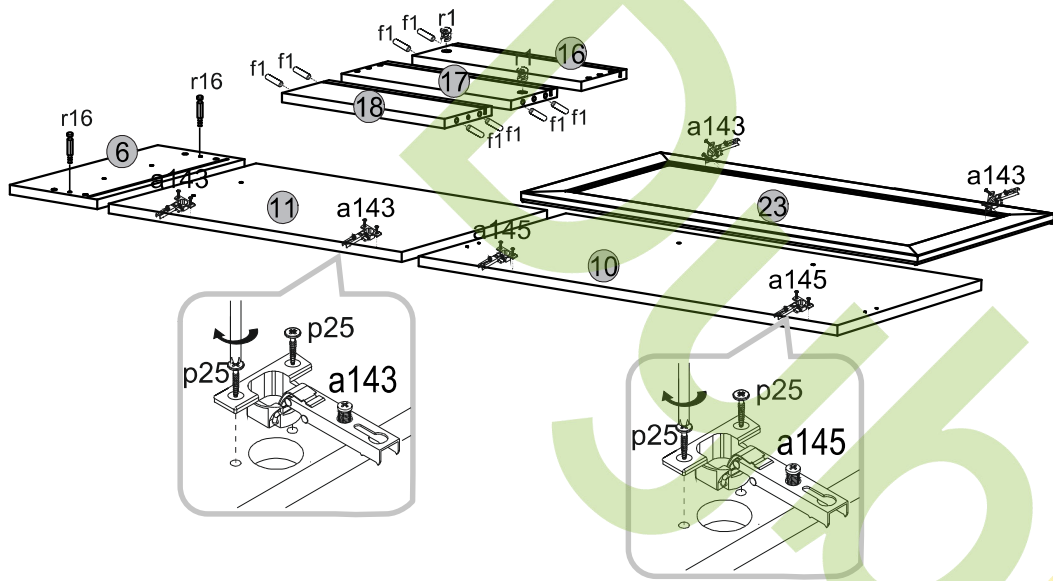
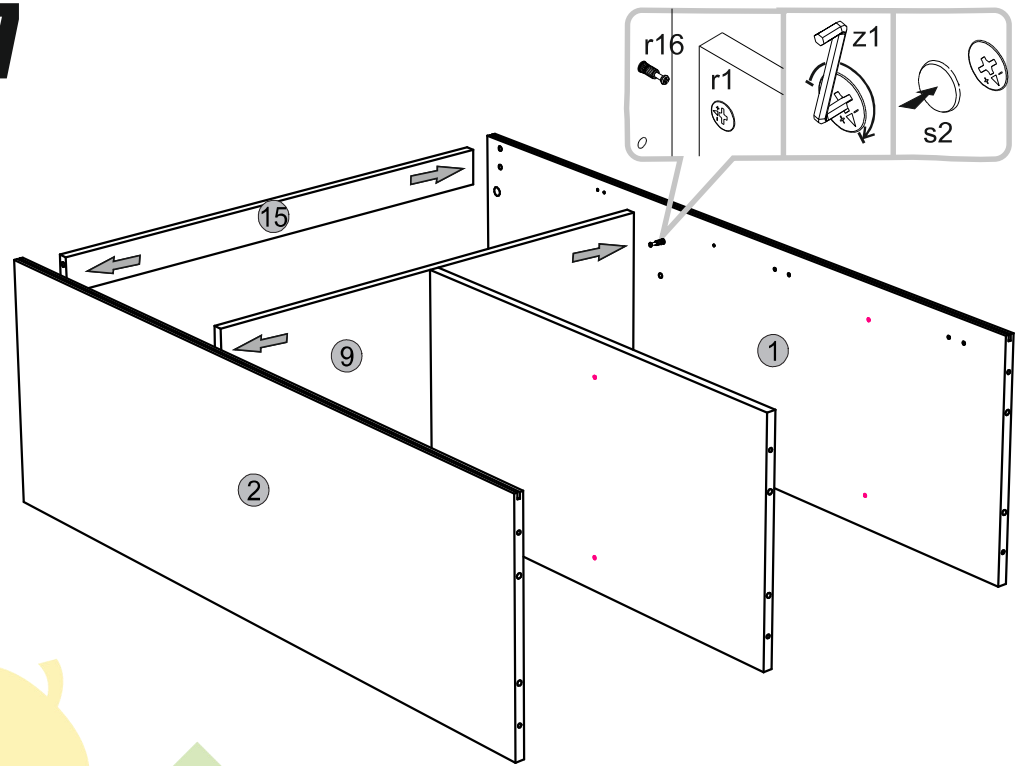
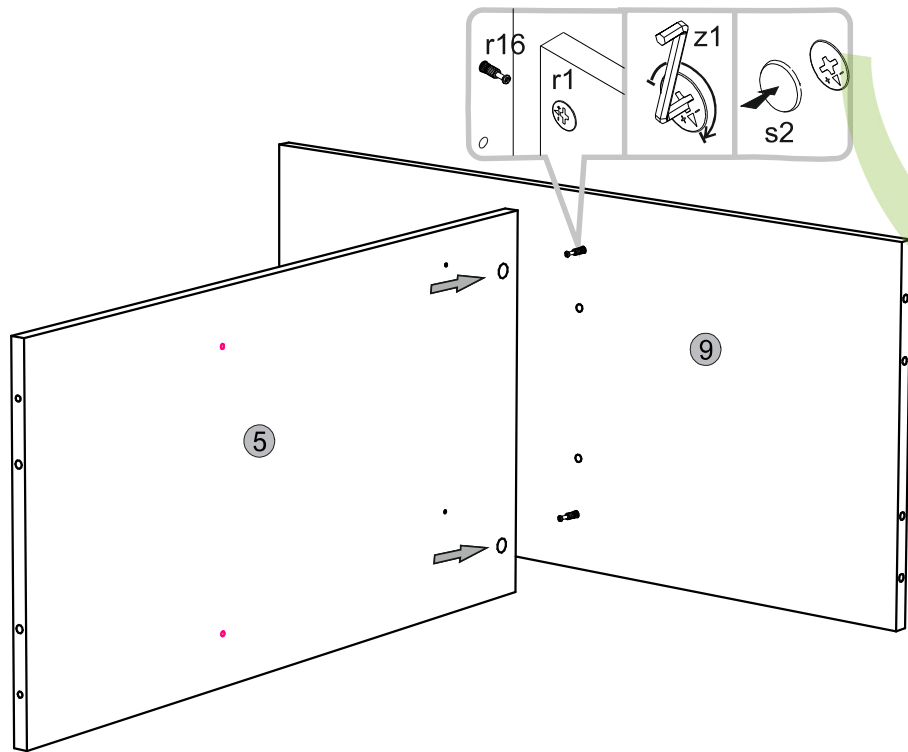
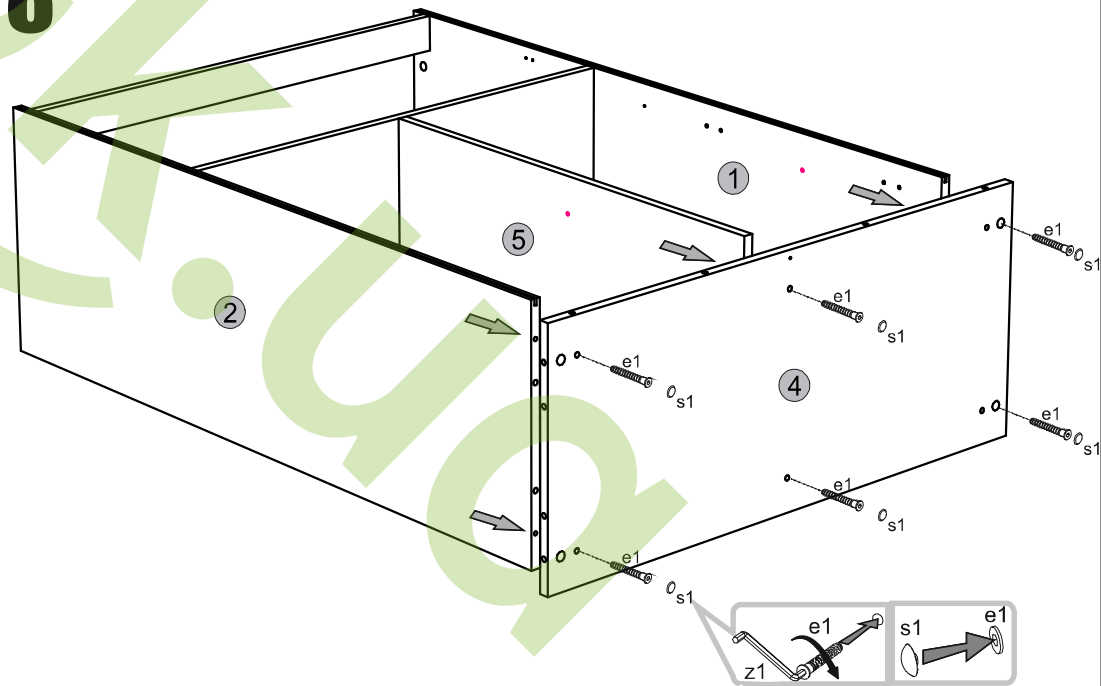
ARSAL: BAR 1D1W1B1S

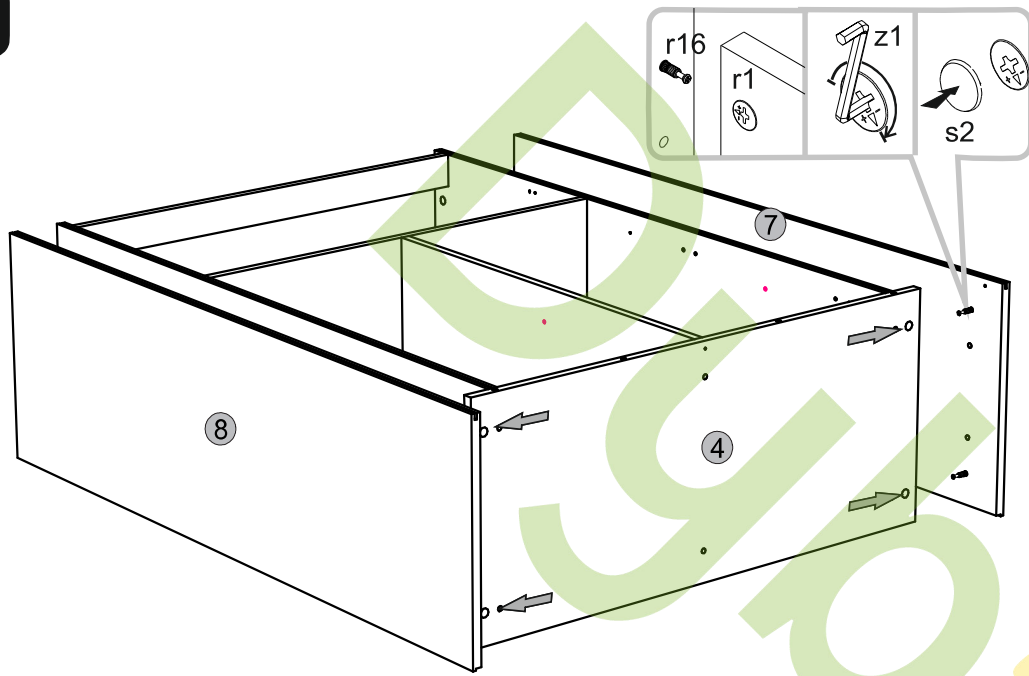
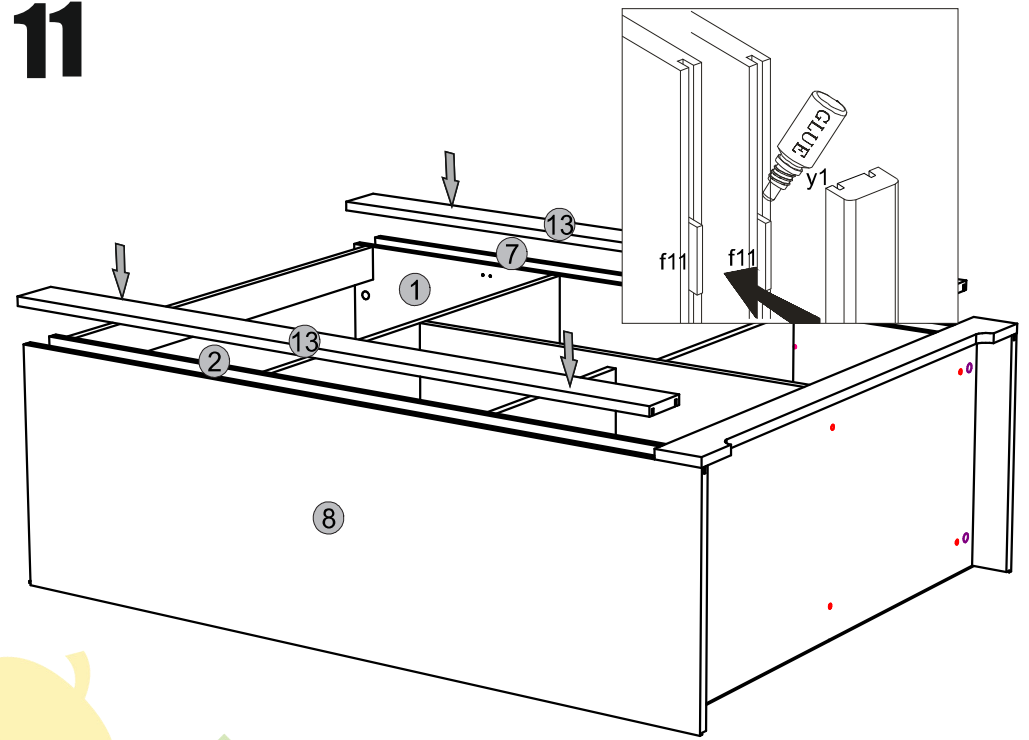
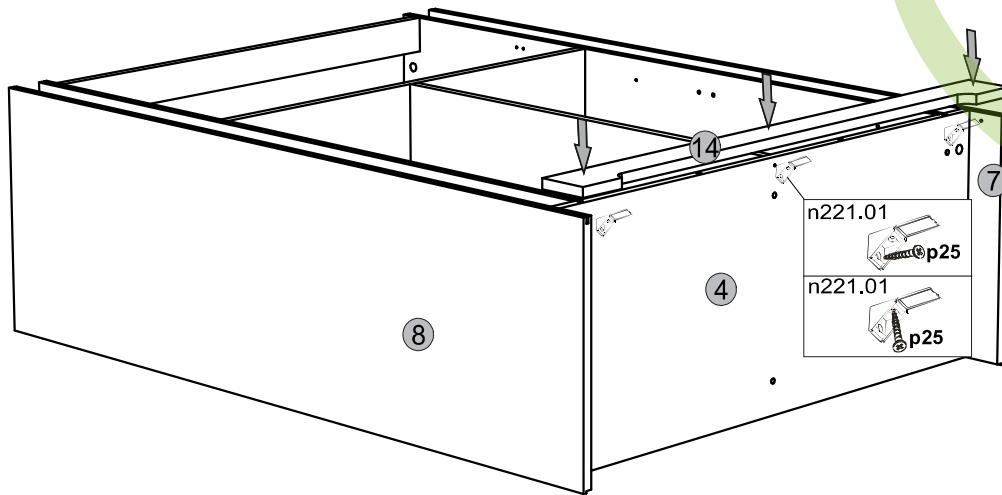
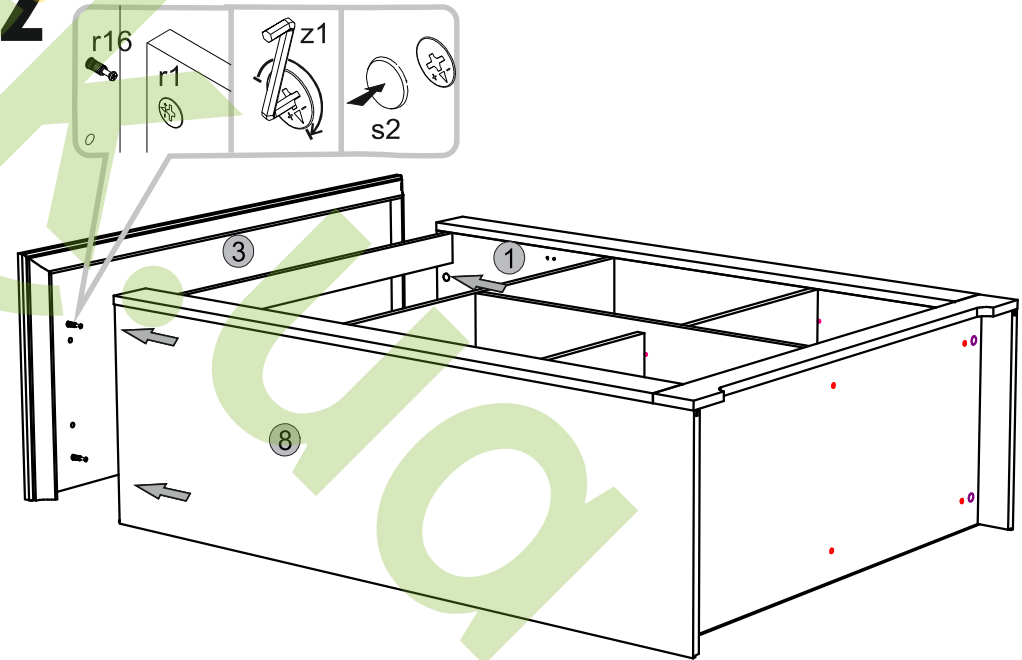


Element symbol	Dimensions				Code	Package
1	1209	401	16	1	BAR_1W1D1B1S.004	1/1
2	1209	401	16	1	BAR_1W1D1B1S.005	1/1
3	1034	458	16/46	1	BAR_1W1D1B1S.006	2/2
4	926	401	16	1	BAR_1W1D1B1S.007	2/2
5	765	401	16	1	BAR_1W1D1B1S.010	2/2
6	396	180	16	1	BAR_1W1D1B1S.019	2/2
7	1289	404	16	1	BAR_1W1D1B1S.002	1/1
8	1289	404	16	1	BAR_1W1D1B1S.003	1/1
9	802	401	16	1	BAR_1W1D1B1S.008	1/1
10	794	402	16	1	BAR_1W1D1B1S.009	2/2
11	585	396	16	1	BAR_1W1D1B1S.011	2/2
12	393	380	16	1	BAR_1W1D1B1S.013	2/2
13	1209	80	16	2	BAR_1W1D1B1S.014	1/1
14	960	80	16	1	BAR_1W1D1B1S.015	1/1
15	802	60	16	1	BAR_1W1D1B1S.016	1/1
16	350	130	16	1	BAR_1W1D1B1S.020	2/2
17	350	130	16	1	BAR_1W1D1B1S.021	2/2
18	335	130	16	1	BAR_1W1D1B1S.022	2/2
19	788	472	3	2	BAR_1W1D1B1S.001	2/2
20	353	352	3	1	BAR_1W1D1B1S.018	2/2
21	445	944	3	1	BAR_1W1D1B1S.035	2/2
22	393	401	16	1	BAR_1W1D1B1S.012	1/1
23	768	396	16	1	BAR_1W1D1B1S.W1	3/3



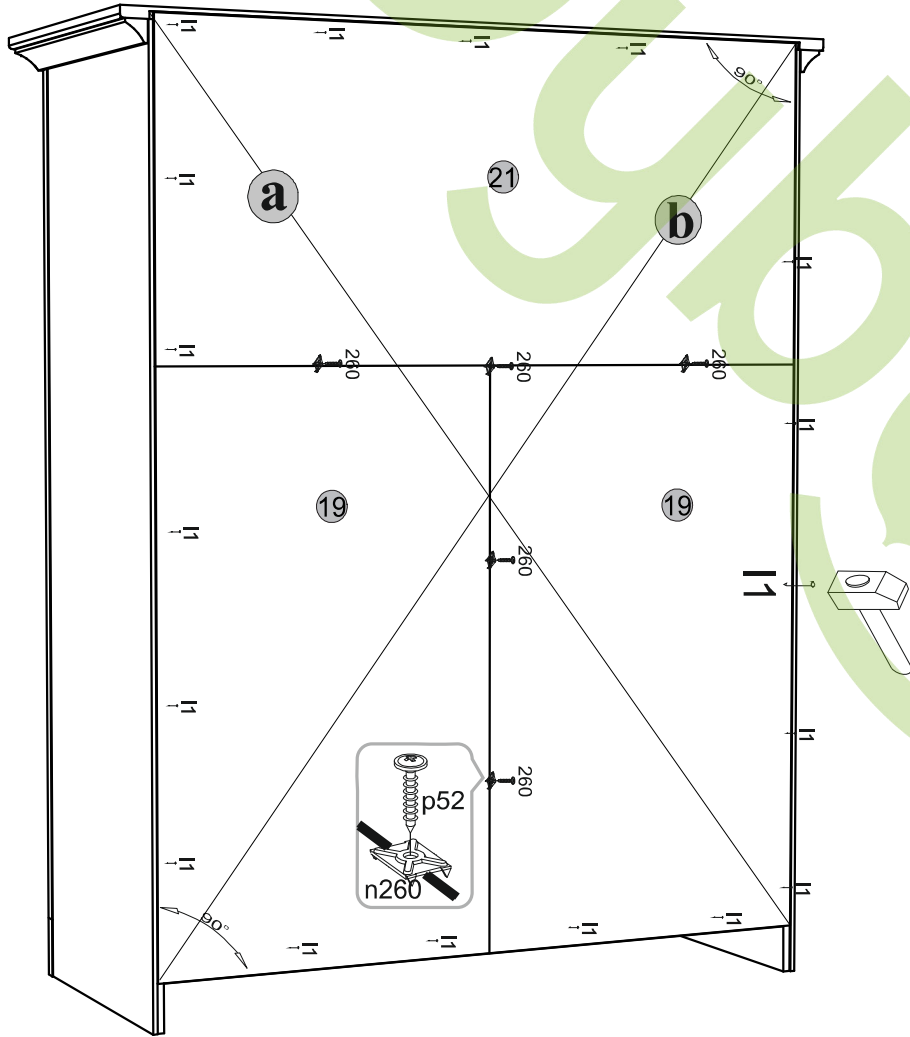
**1****3****2****4**

**5****7****6****8**

**9****11****10****12**

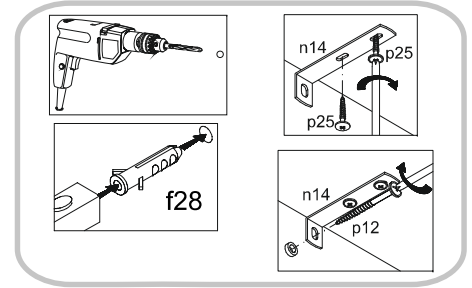
# 13

! a=b



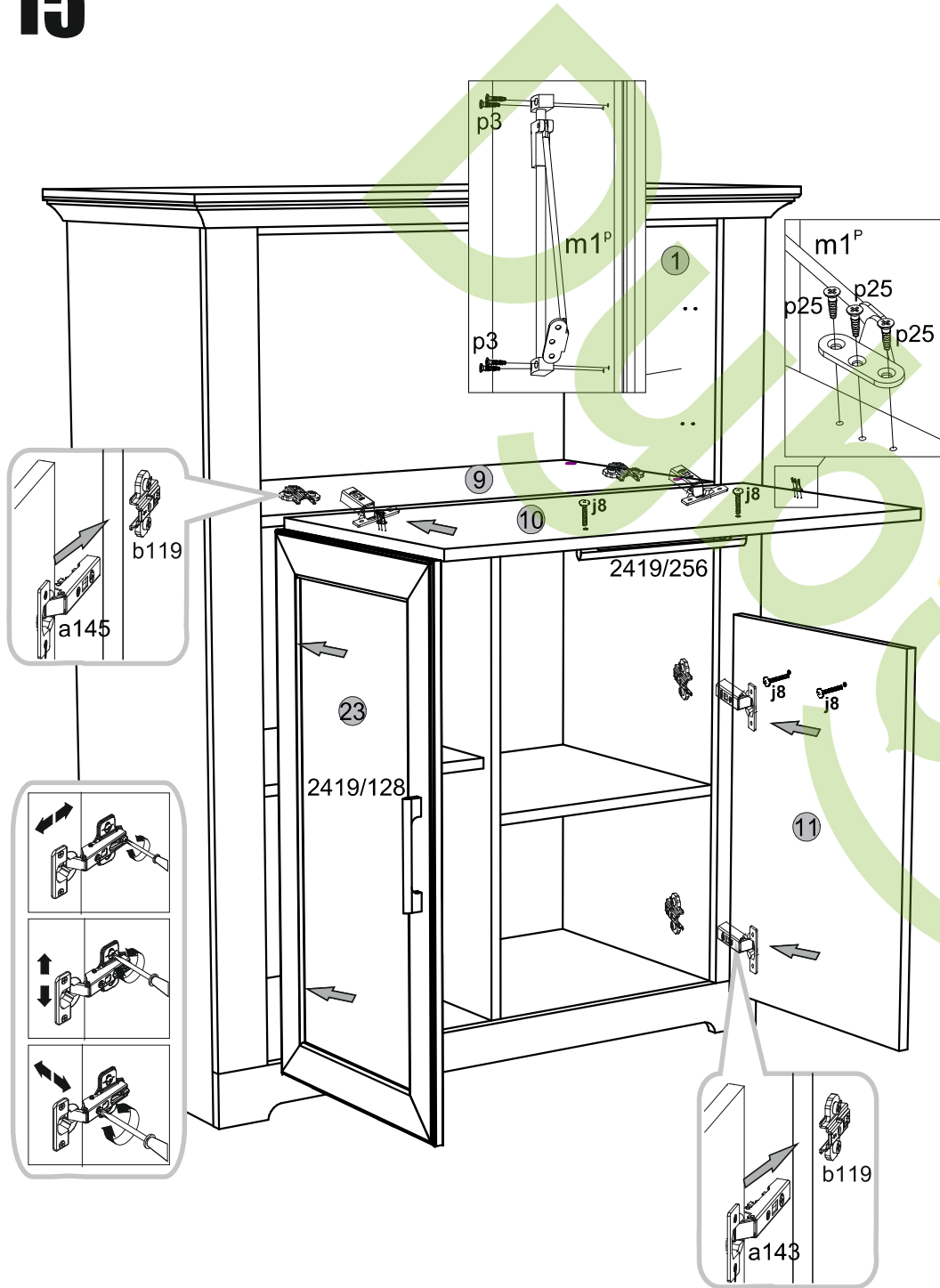
# 14

! kg max.



d1

# 15



# 16

