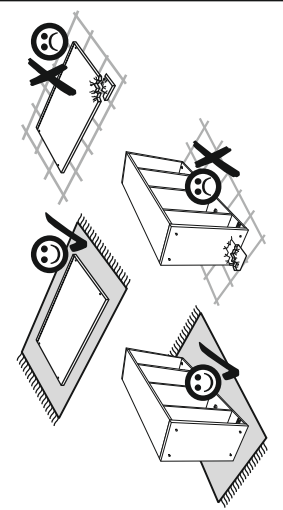
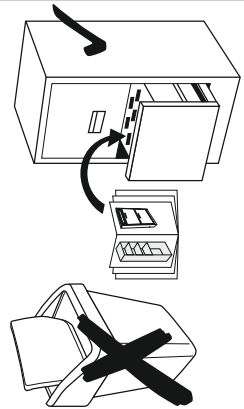
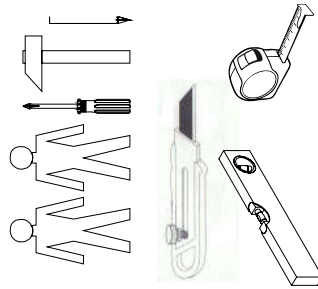
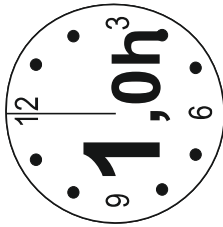
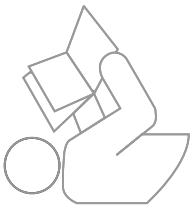
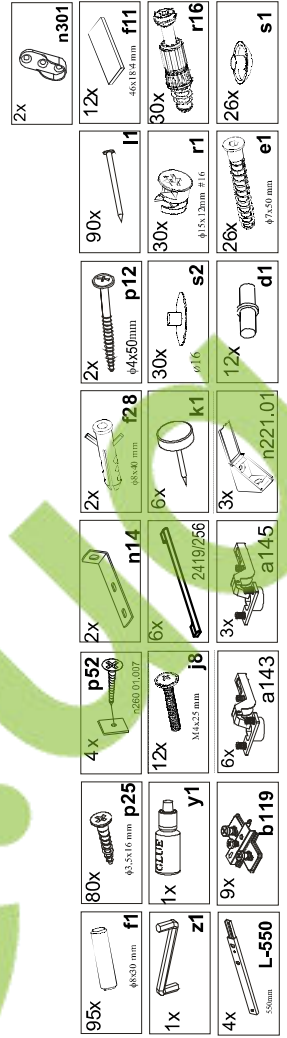


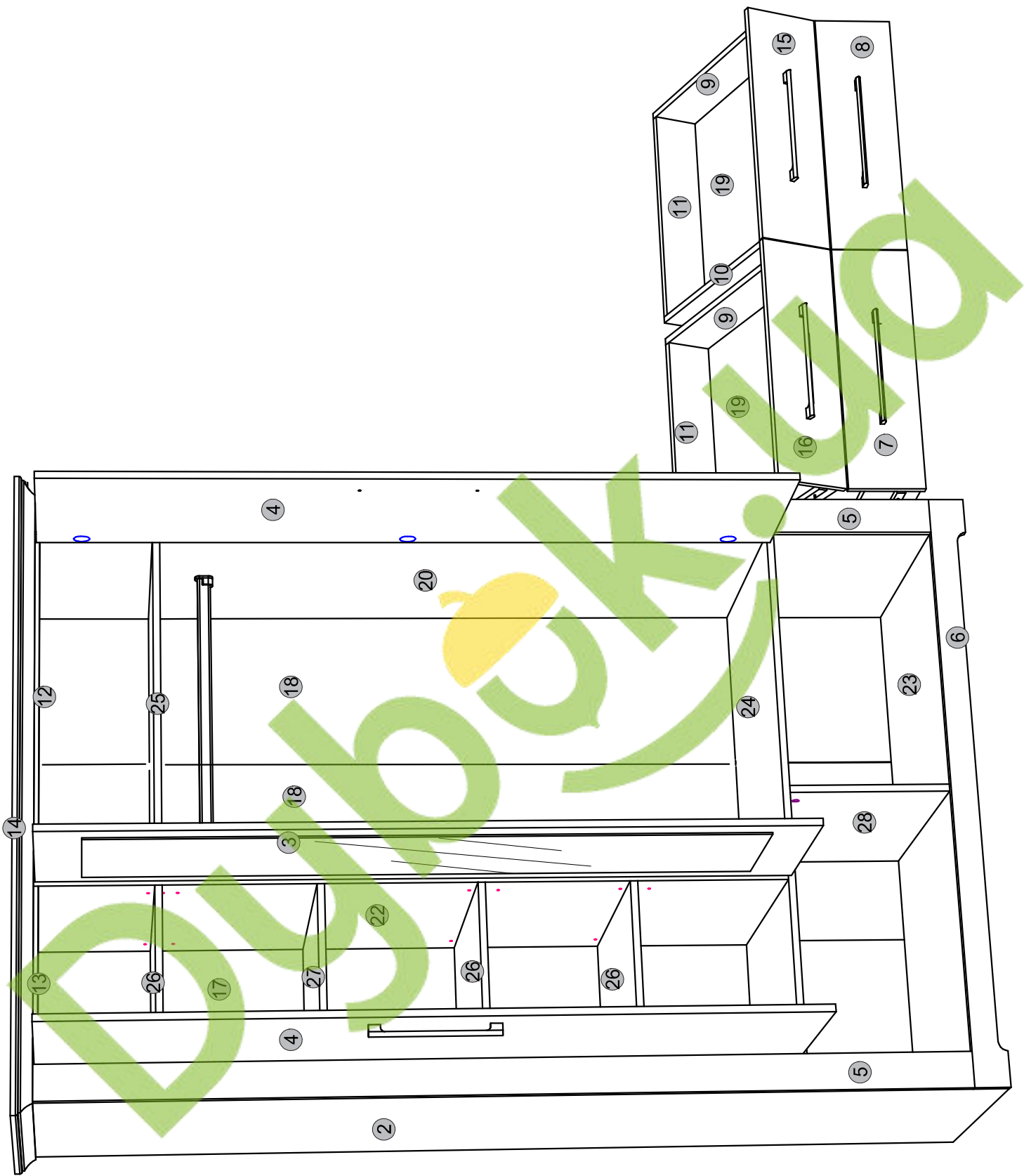
Instalation manual

ARSAL: SZF 3D4S

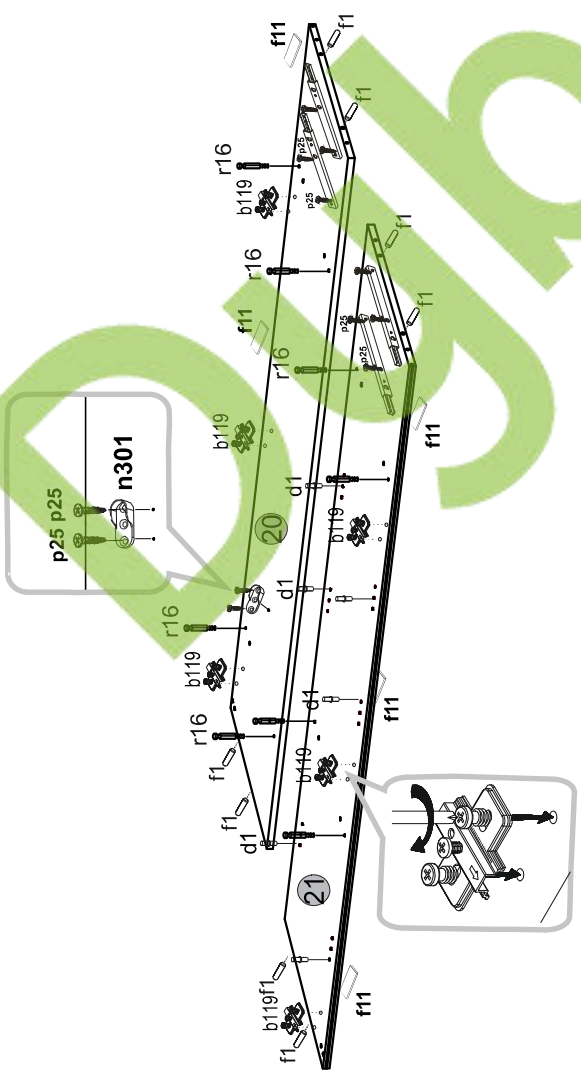


| Element symbol | Dimensions | | | Code | Package |
|----------------|------------|------|-------|--------------|---------|
| | 1 | 2 | 3 | | |
| 1 | 2134 | 584 | 16 | SZF_3D4S.001 | 1/1 |
| 2 | 2134 | 584 | 16 | SZF_3D4S.002 | 1/1 |
| 3 | 1652 | 396 | 16 | SZF_3D4S.008 | 4/4 |
| 4 | 1652 | 396 | 16 | SZF_3D4S.009 | 4/4 |
| 5 | 2054 | 80 | 16 | SZF_3D4S.014 | 1/1 |
| 6 | 1360 | 80 | 16 | SZF_3D4S.015 | 1/1 |
| 7 | 596 | 180 | 16 | SZF_3D4S.016 | 2/2 |
| 8 | 596 | 180 | 16 | SZF_3D4S.017 | 2/2 |
| 9 | 550 | 130 | 16 | SZF_3D4S.018 | 2/2 |
| 10 | 550 | 130 | 16 | SZF_3D4S.019 | 2/2 |
| 11 | 535 | 130 | 16 | SZF_3D4S.020 | 1/1 |
| 12 | 792 | 60 | 16 | SZF_3D4S.021 | 1/1 |
| 13 | 394 | 60 | 16 | SZF_3D4S.023 | 1/1 |
| 14 | 1434 | 638 | 16/46 | SZF_3D4S.027 | 2/2 |
| 15 | 596 | 180 | 16 | SZF_3D4S.028 | 2/2 |
| 16 | 596 | 180 | 16 | SZF_3D4S.029 | 2/2 |
| 17 | 2079 | 473 | 3 | SZF_3D4S.024 | 1/1 |
| 18 | 2079 | 435 | 3 | SZF_3D4S.025 | 1/1 |
| 19 | 553 | 552 | 3 | SZF_3D4S.026 | 3/3 |
| 20 | 2054 | 581 | 16 | SZF_3D4S.003 | 3/3 |
| 21 | 2054 | 581 | 16 | SZF_3D4S.004 | 3/3 |
| 22 | 1678 | 581 | 16 | SZF_3D4S.005 | 3/3 |
| 23 | 1326 | 581 | 16 | SZF_3D4S.006 | 2/2 |
| 24 | 1202 | 581 | 16 | SZF_3D4S.007 | 3/3 |
| 25 | 792 | 581 | 16 | SZF_3D4S.010 | 2/2 |
| 26 | 394 | 581 | 16 | SZF_3D4S.011 | 2/2 |
| 27 | 394 | 581 | 16 | SZF_3D4S.012 | 2/2 |
| 28 | 360 | 581 | 16 | SZF_3D4S.013 | 3/3 |
| 29 | 60 | 534 | 16 | SZF_3D4S.022 | 1/1 |
| 30 | 64 | 1326 | 16 | SZF_3D4S.038 | 1/1 |

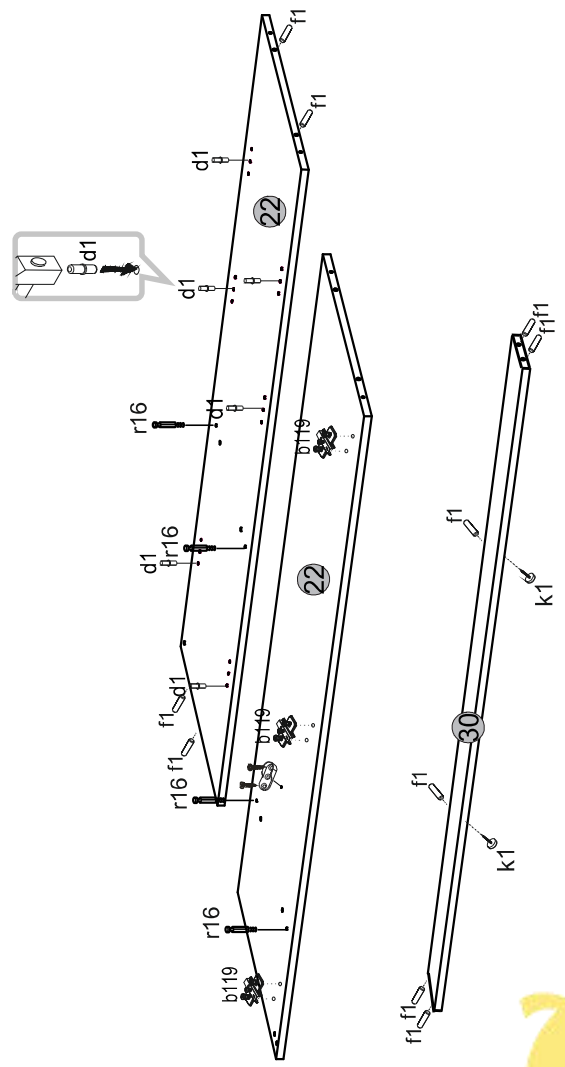




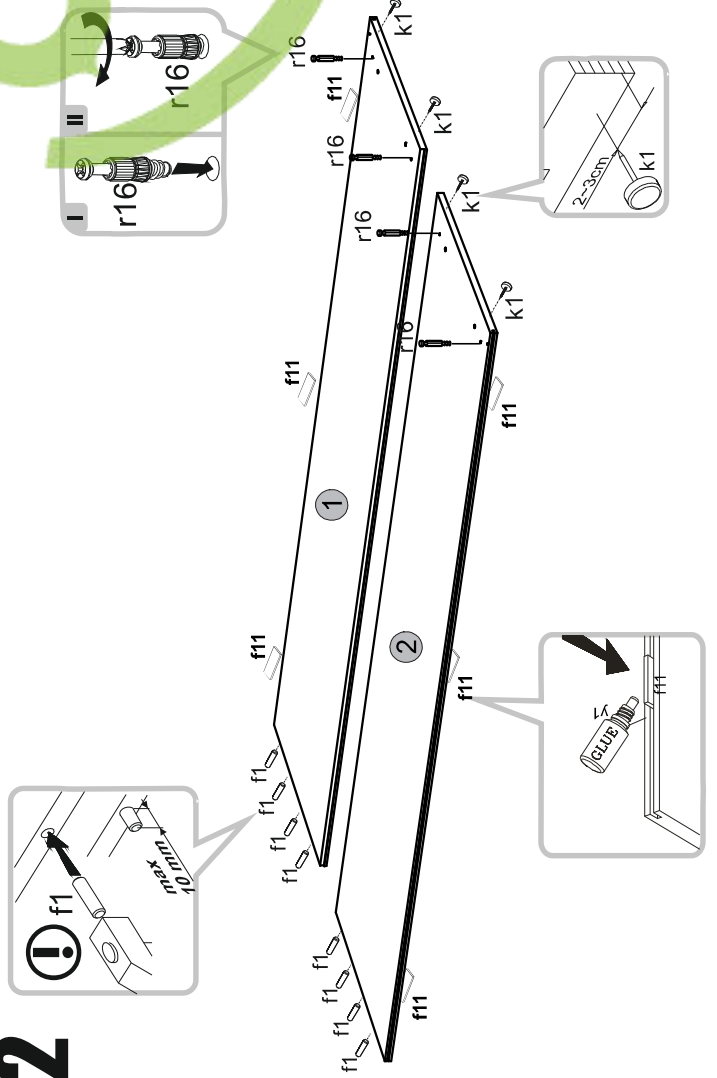
1



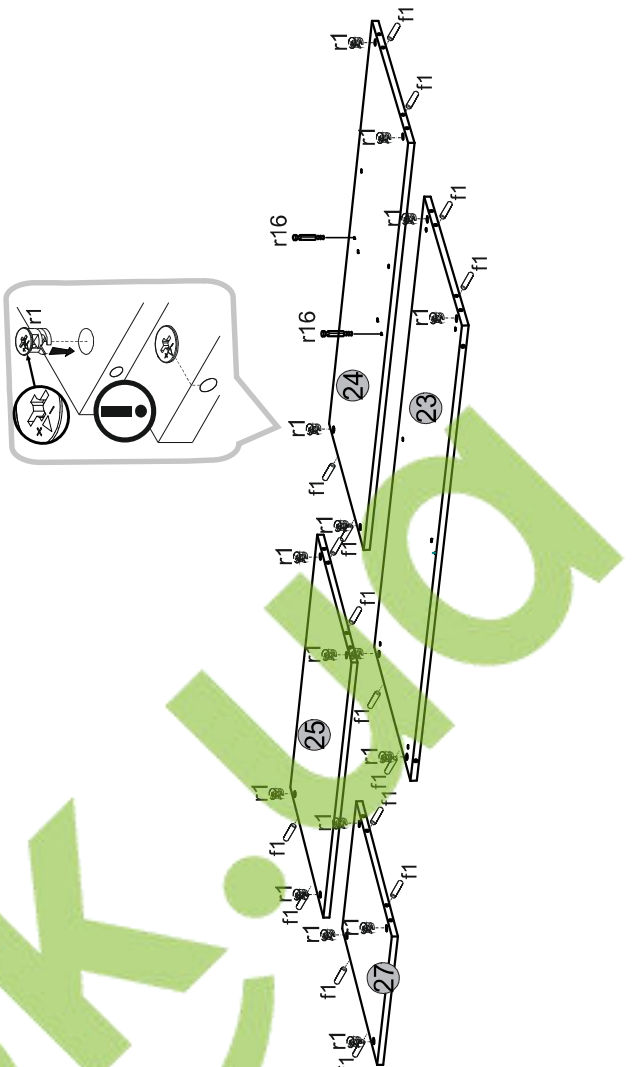
3



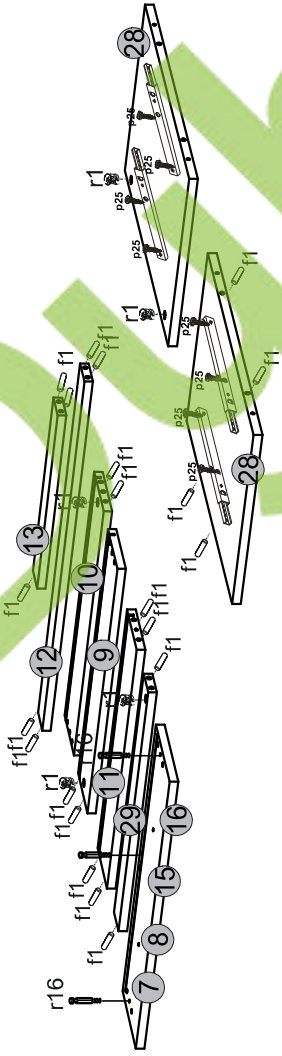
2



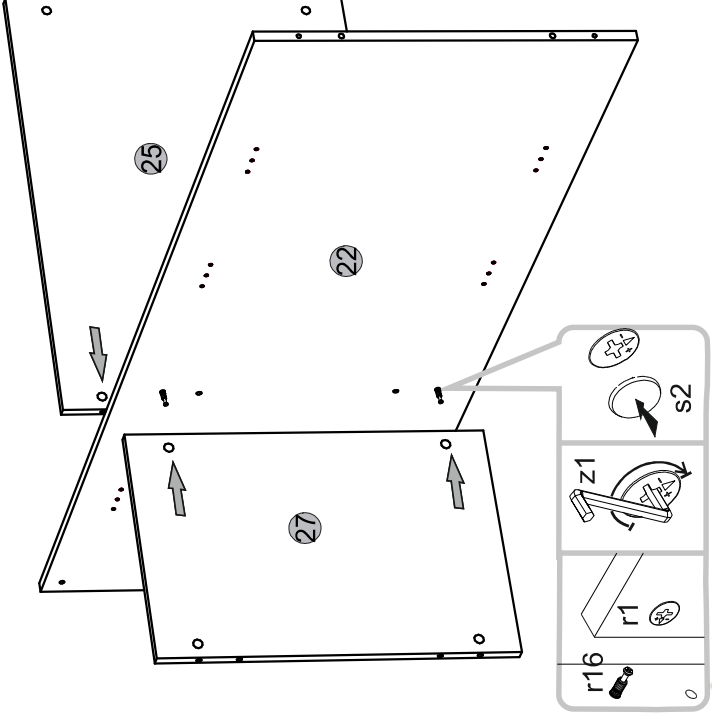
4



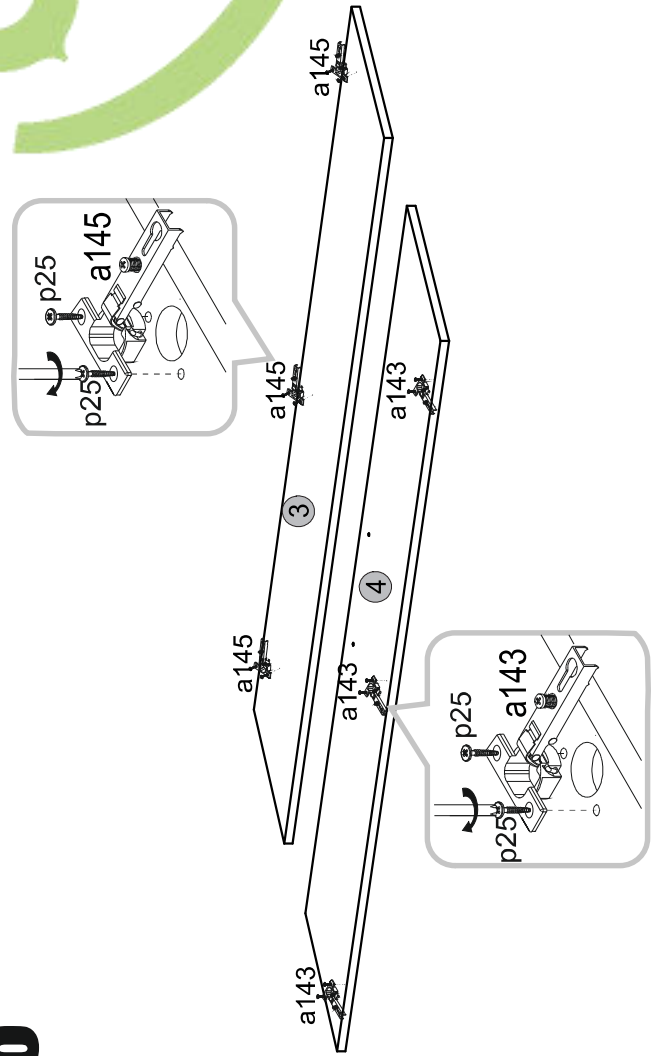
5



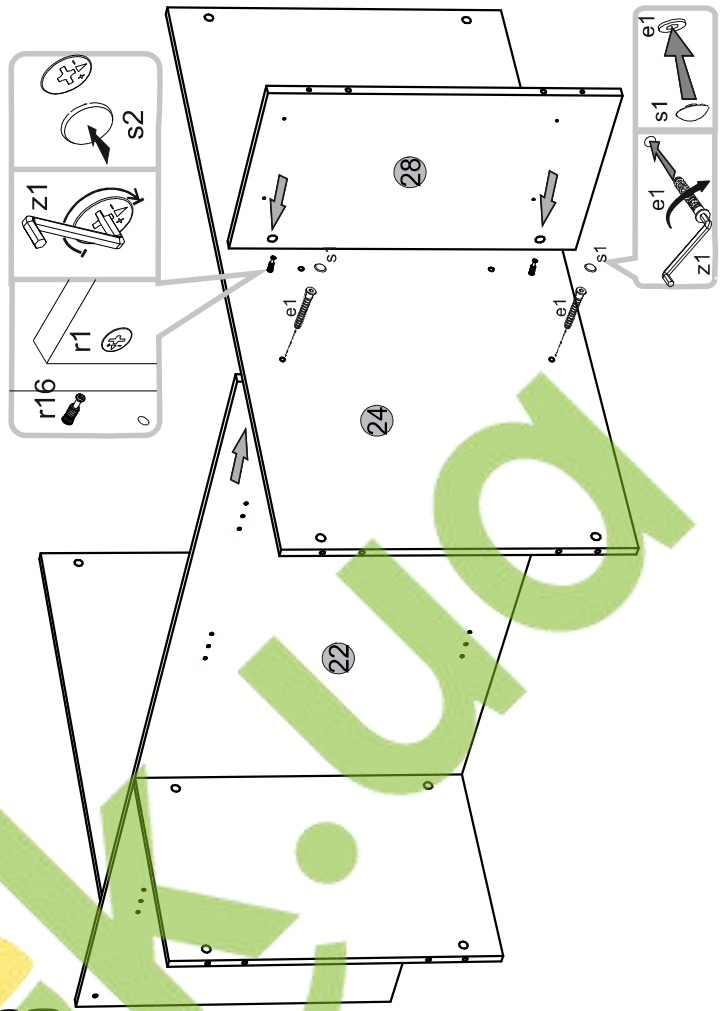
7



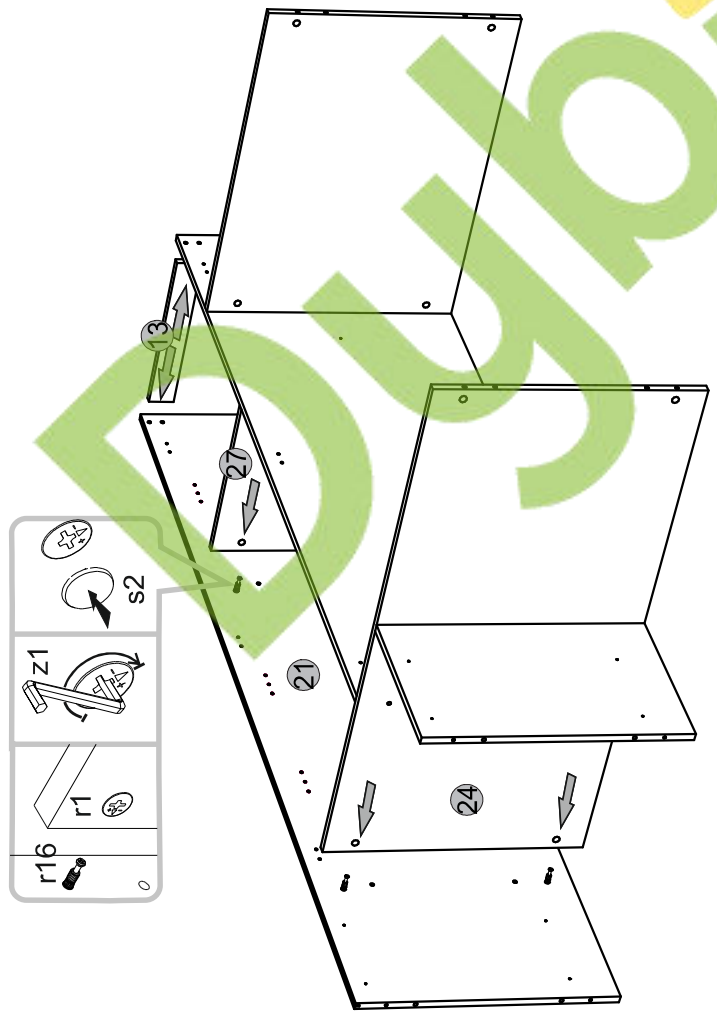
6



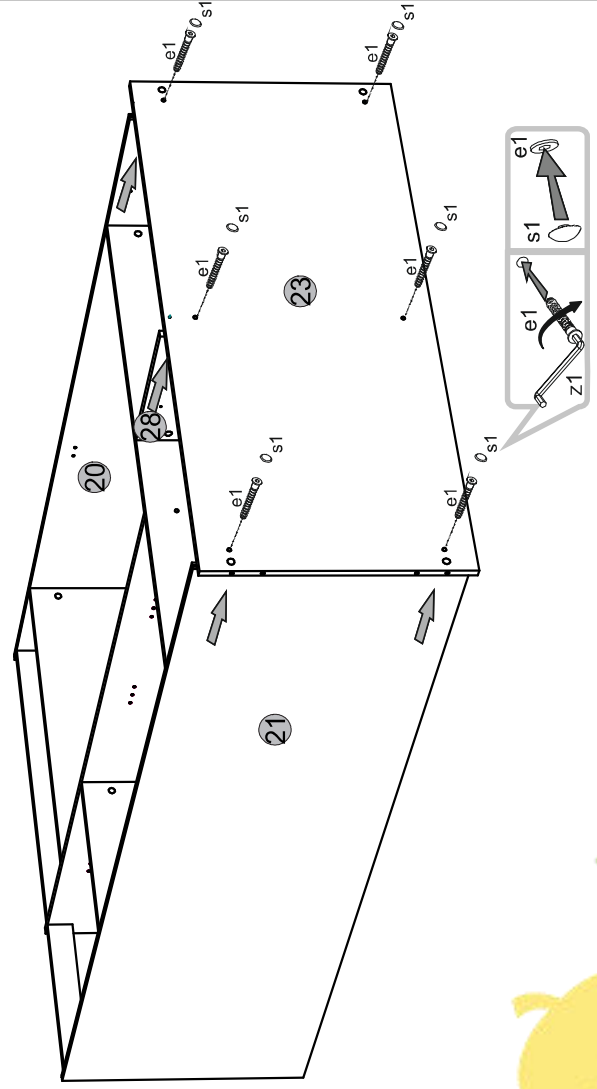
8



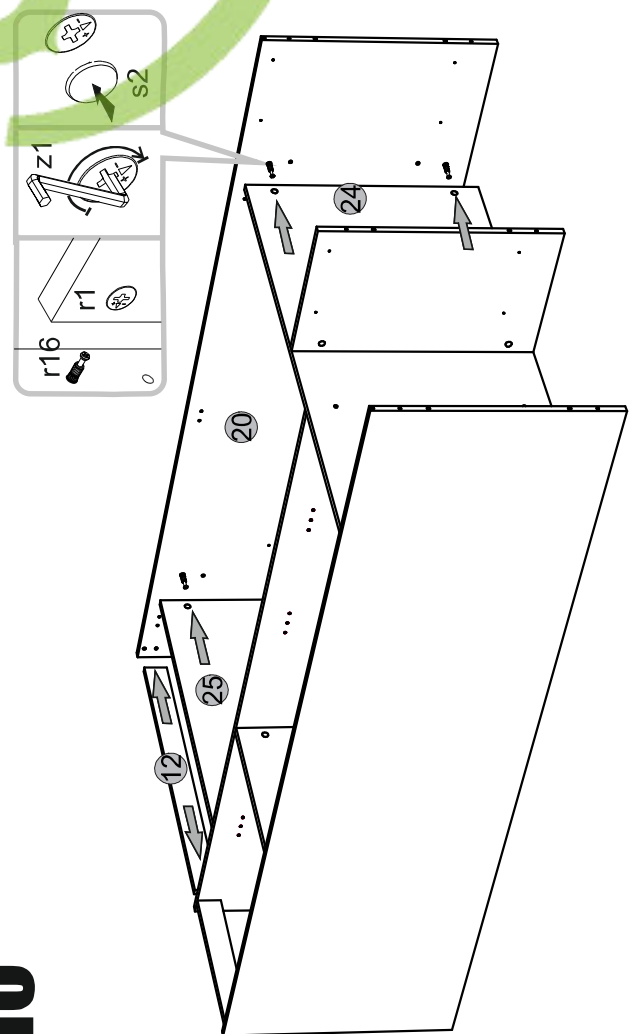
9



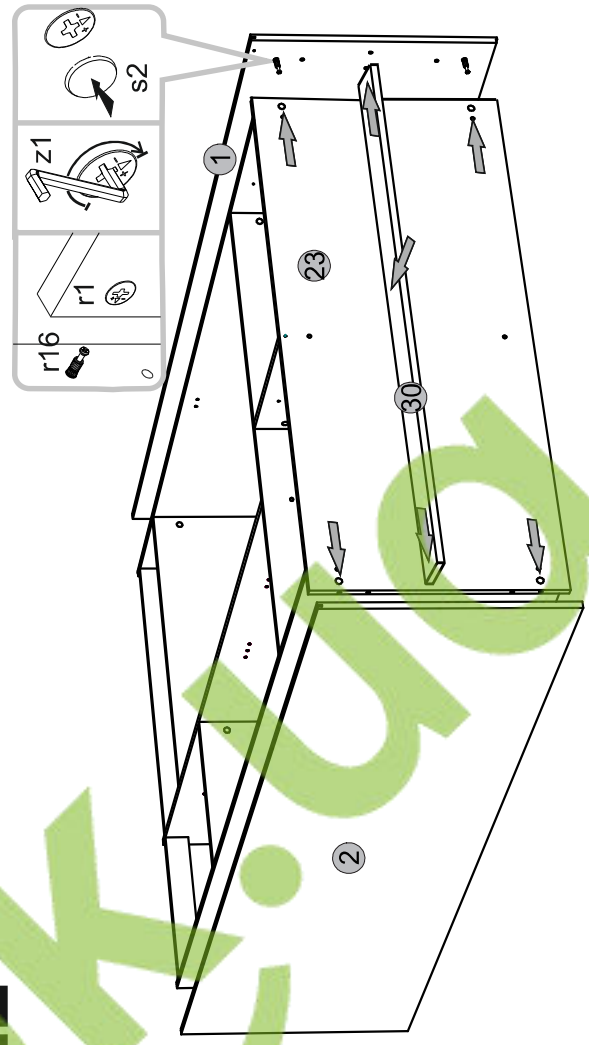
11



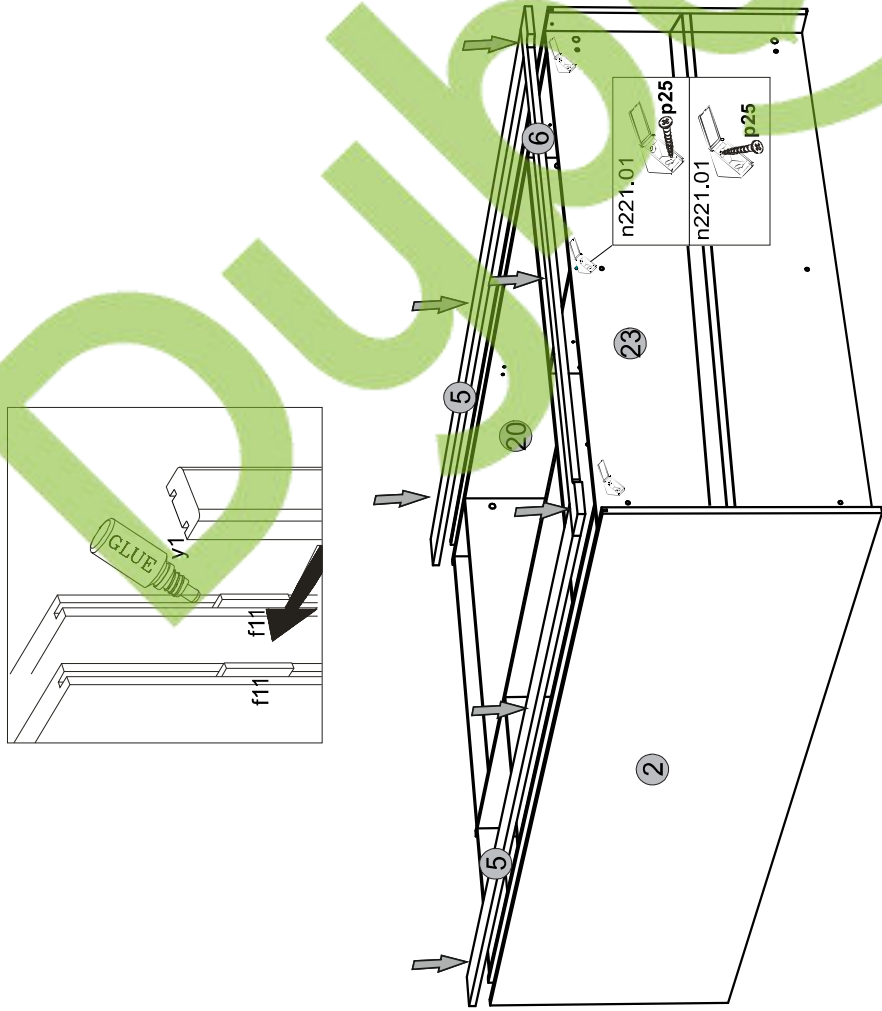
10



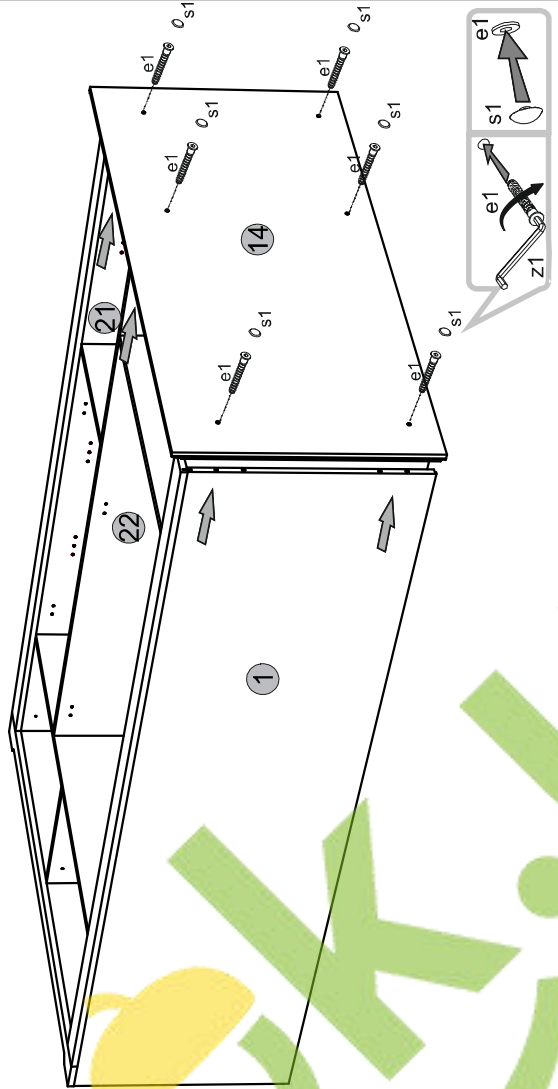
12



13

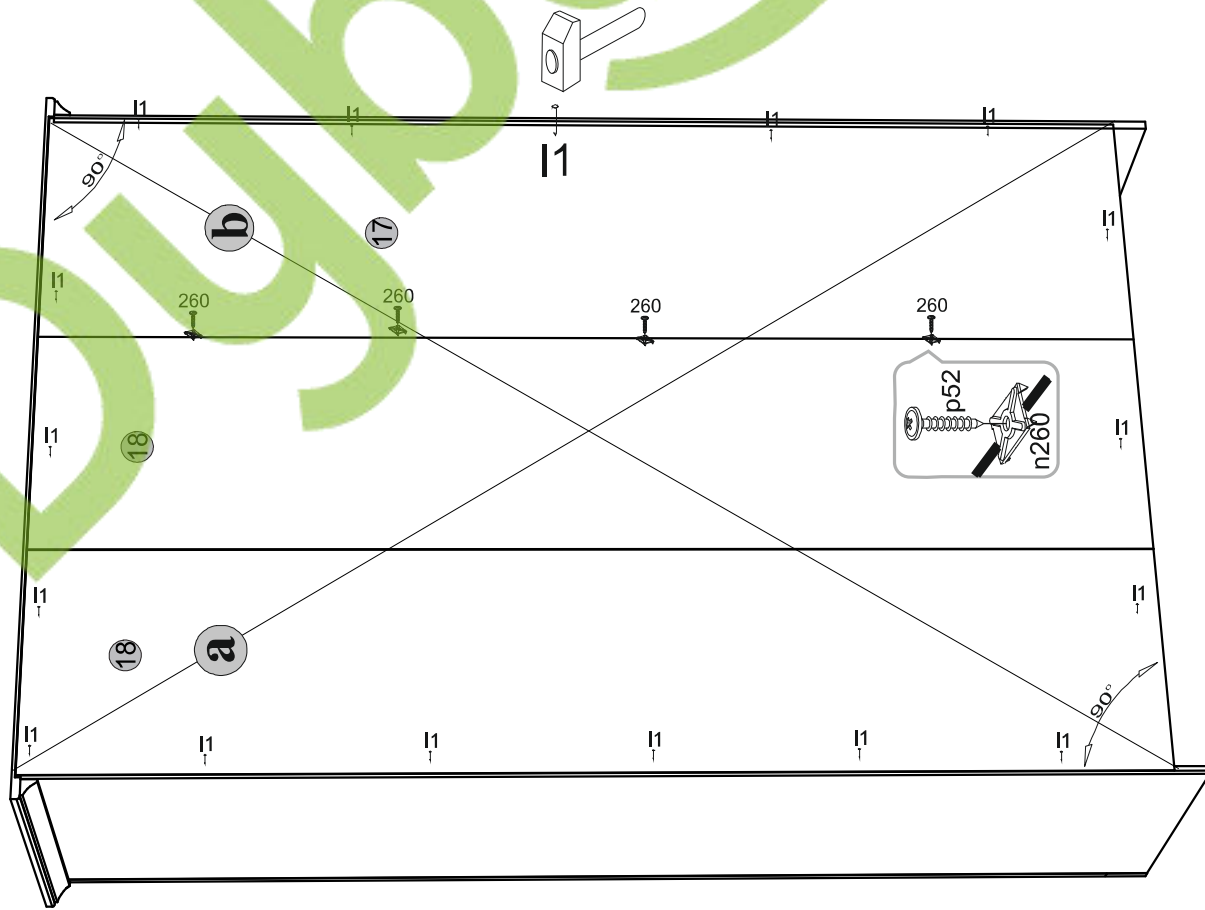


14



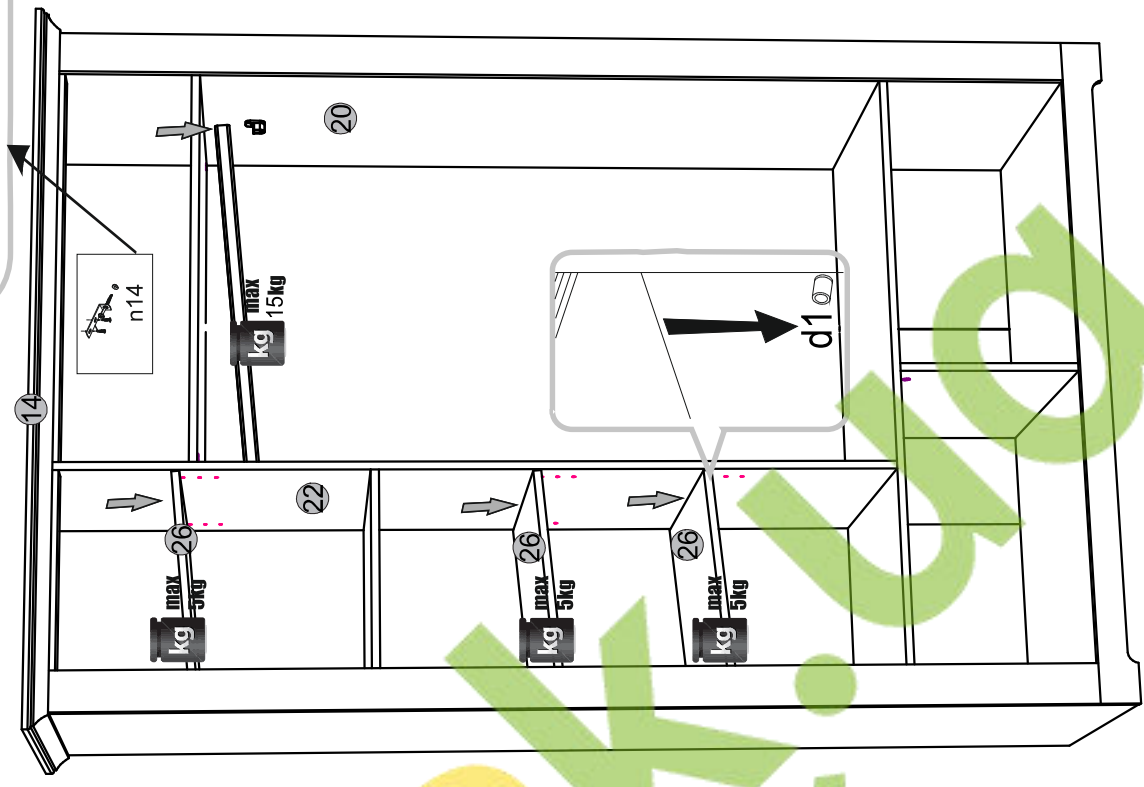
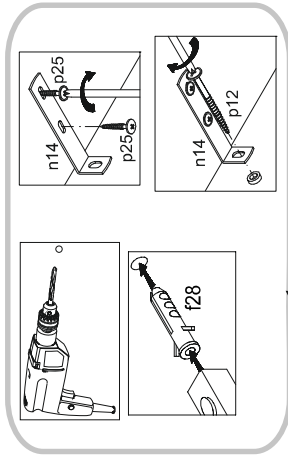
15

! a=b

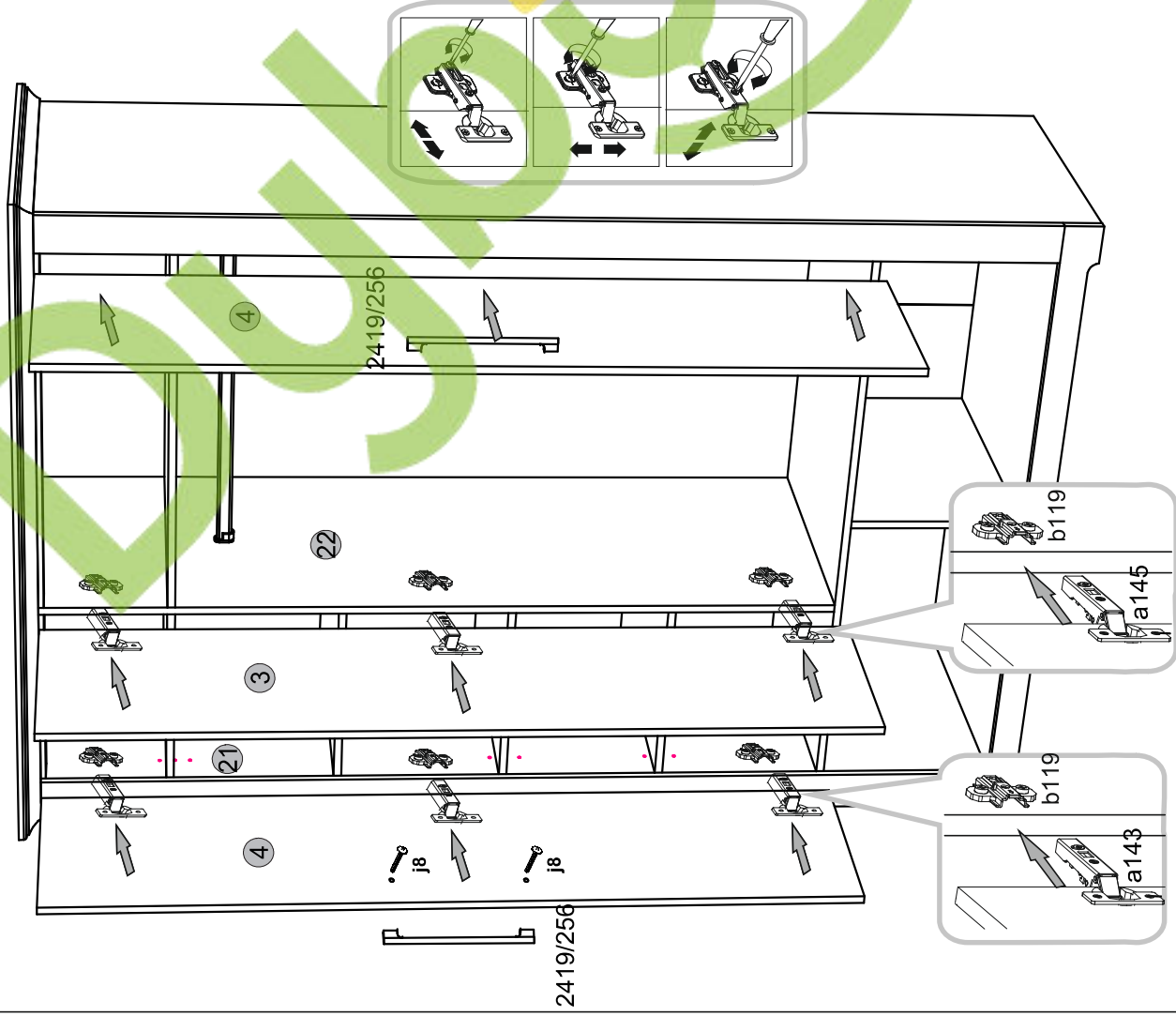


16

! kg max. ↓



17



18

