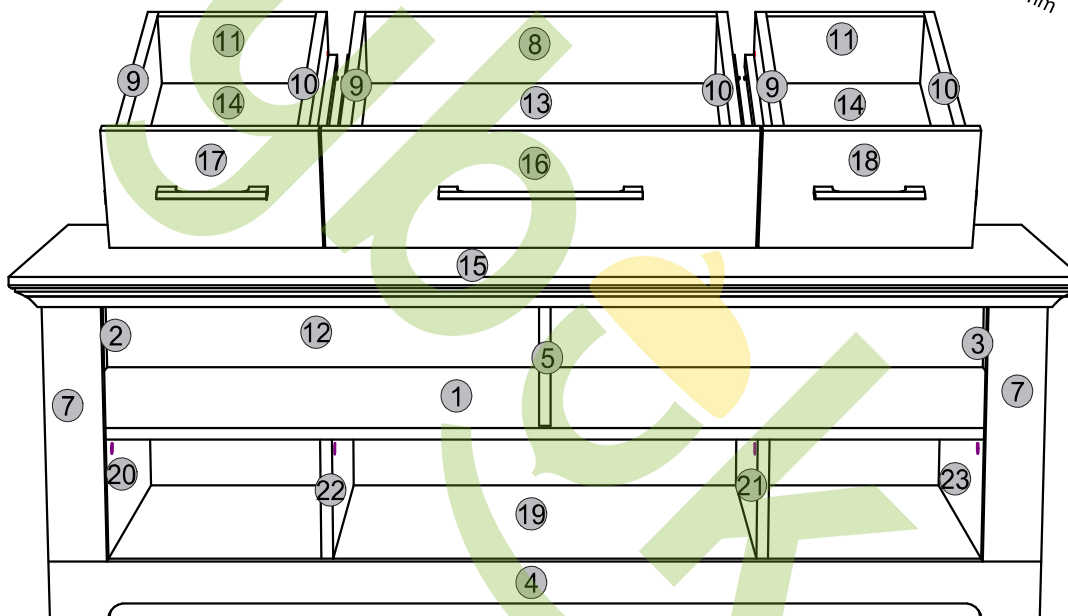
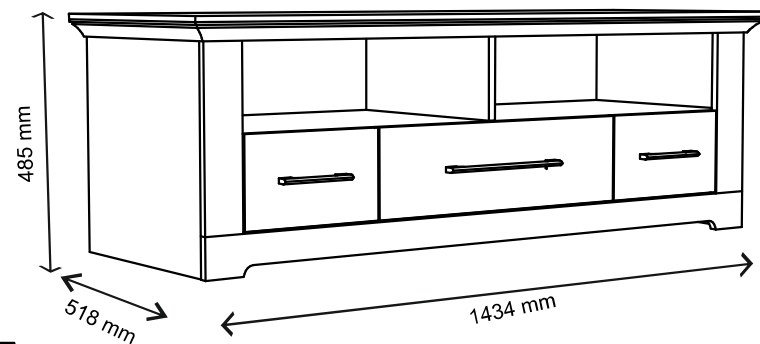
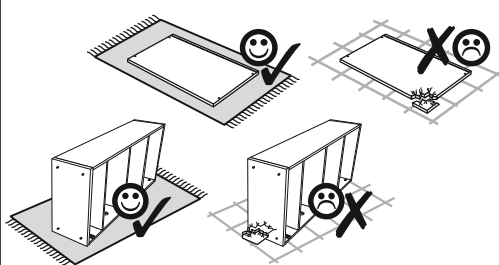
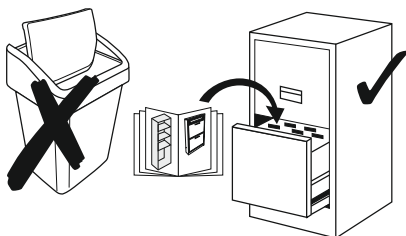
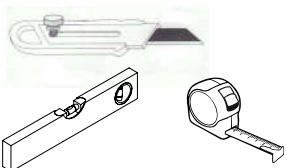
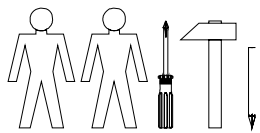
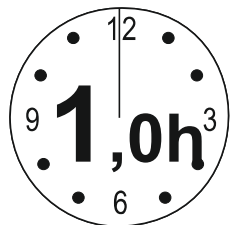


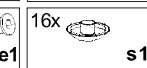
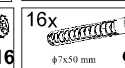
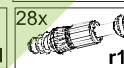
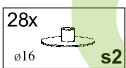
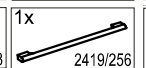
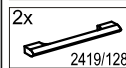
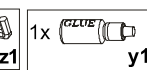
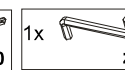
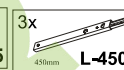
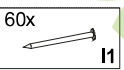
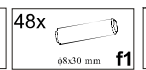
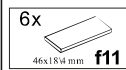
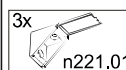


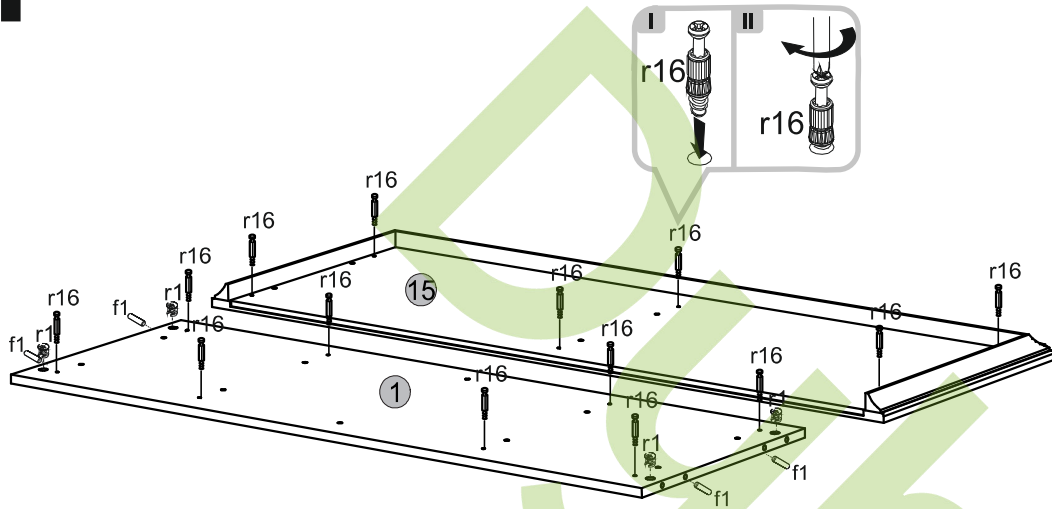
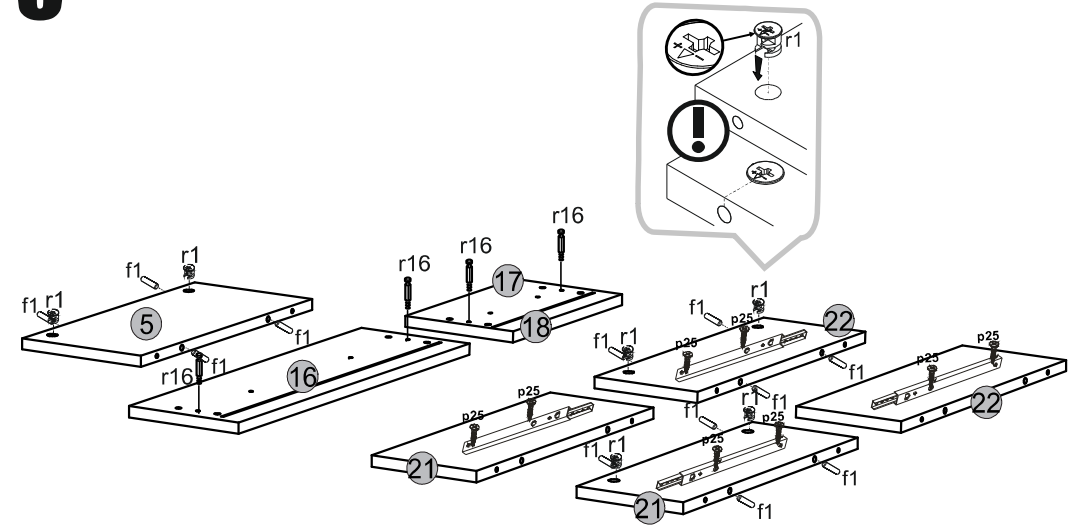
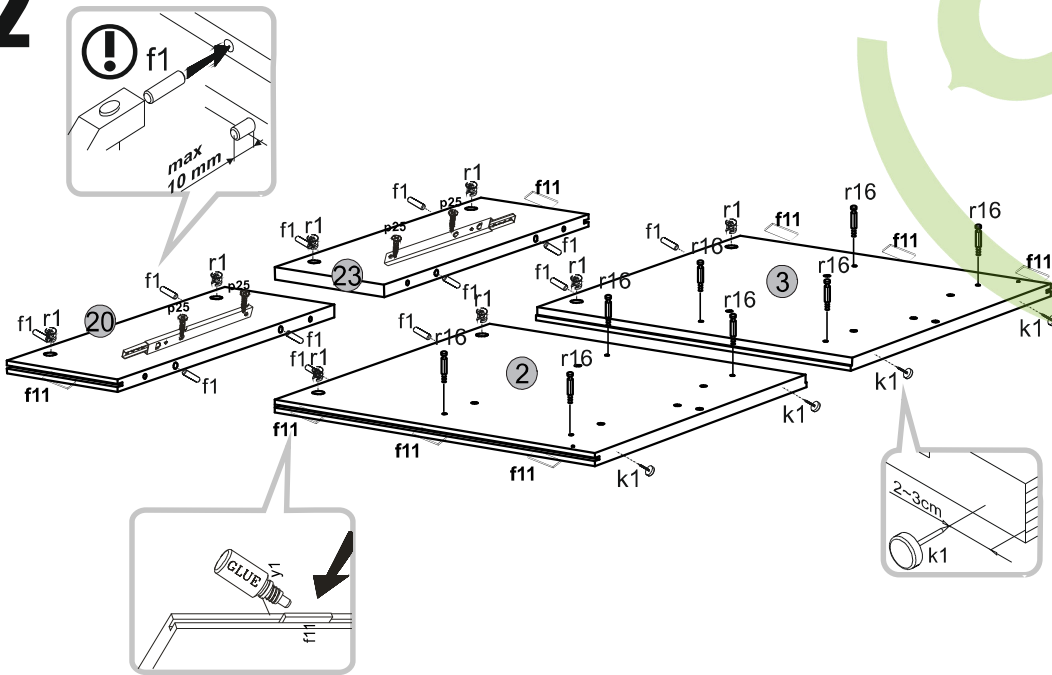
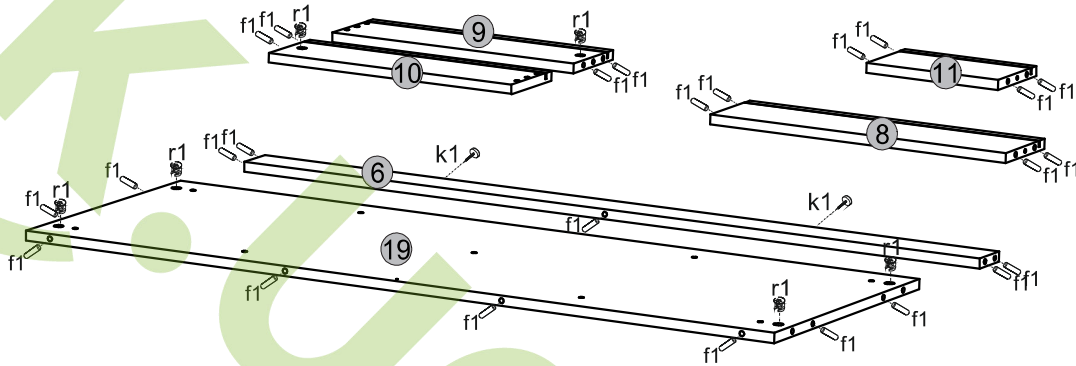
# Instalation manual

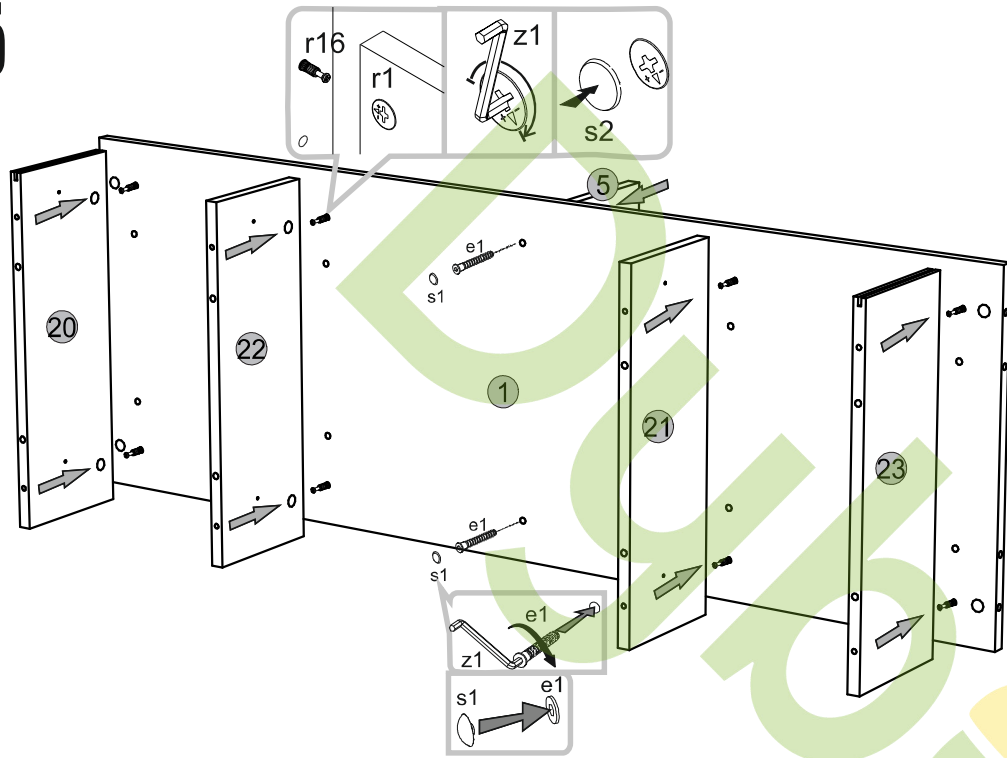
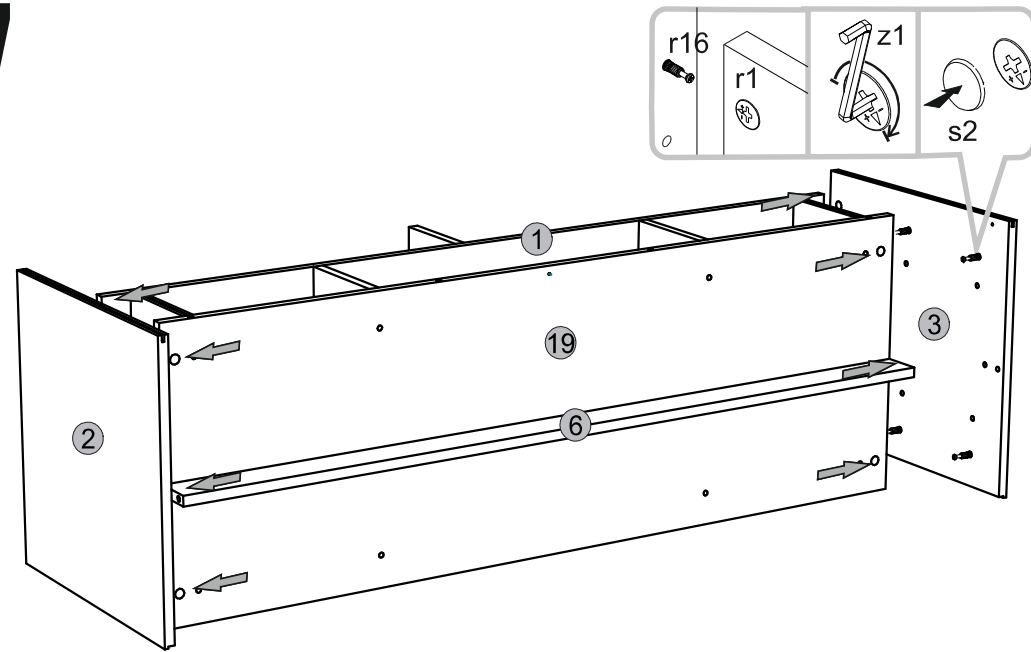
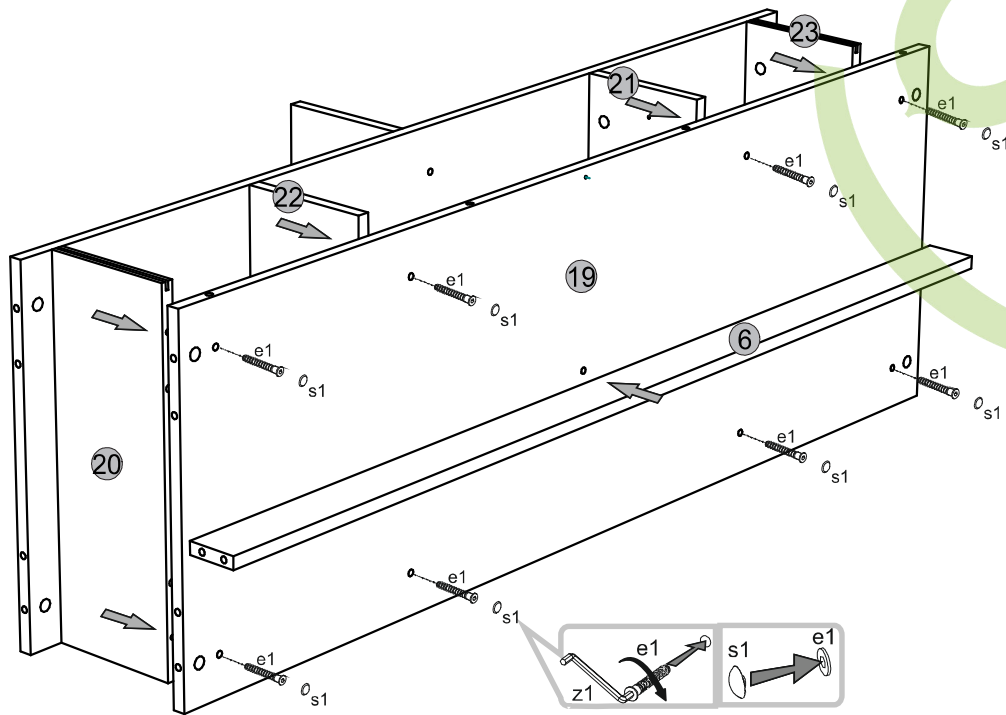
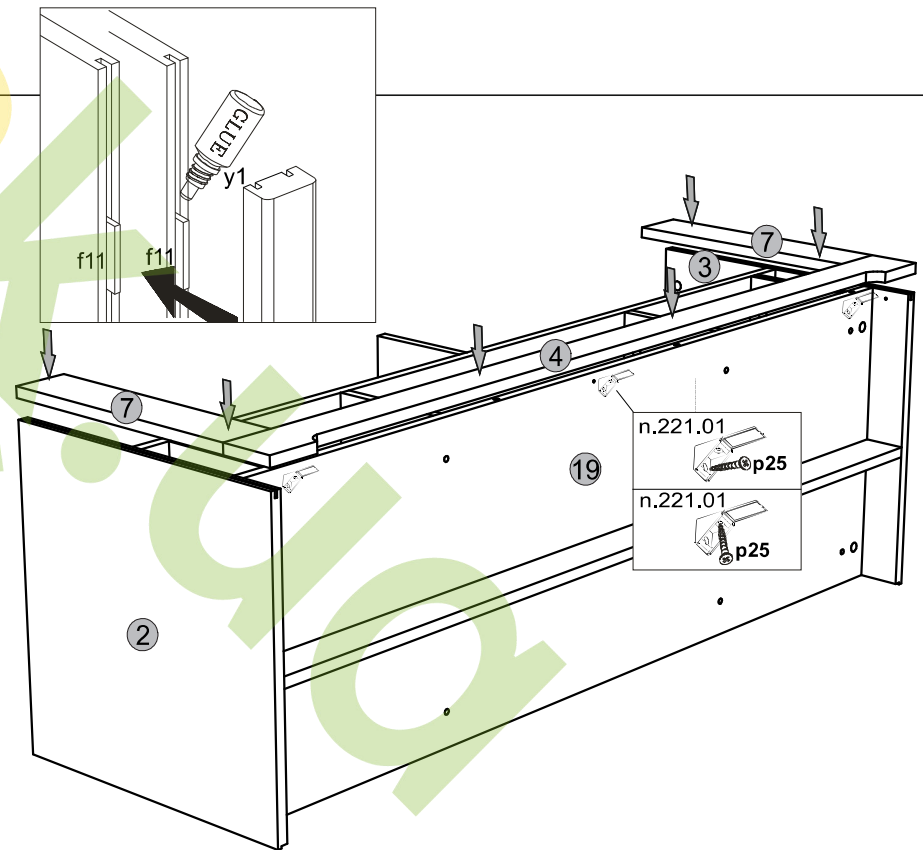
ARSAL: RTV 3S



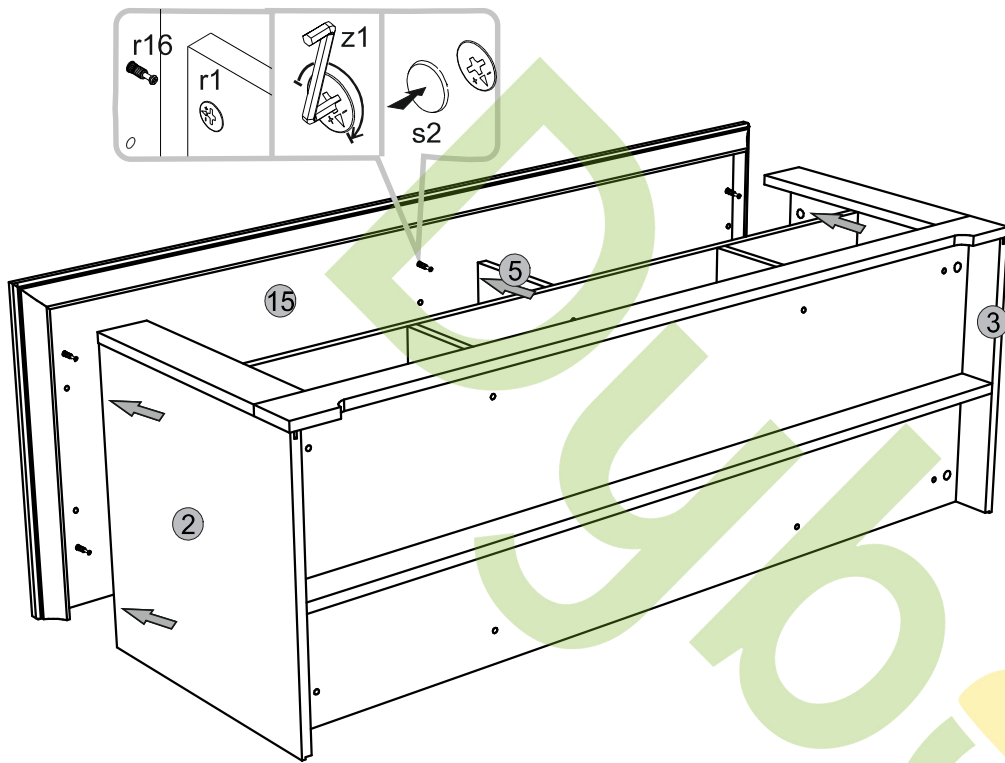
Element symbol	Dimensions				Code	Package
1	1326	461	16	1	RTV_3S.003	1/1
2	464	464	16	1	RTV_3S.004	1/1
3	464	464	16	1	RTV_3S.005	1/1
4	1360	80	16	1	RTV_3S.006	1/1
5	201	445	16	1	RTV_3S.007	1/1
6	64	1326	16	1	RTV_3S.008	1/1
7	384	80	16	2	RTV_3S.013	1/1
8	524	130	16	1	RTV_3S.018	1/1
9	450	130	16	3	RTV_3S.019	1/1
10	450	130	16	3	RTV_3S.020	1/1
11	235	130	16	2	RTV_3S.023	1/1
12	404	1344	3	1	RTV_3S.014	1/1
13	542	452	3	1	RTV_3S.015	1/1
14	253	452	3	2	RTV_3S.016	1/1
15	1434	518	16/48	1	RTV_3S.001	1/1
16	596	180	16	1	RTV_3S.017	1/1
17	296	180	16	1	RTV_3S.021	1/1
18	296	180	16	1	RTV_3S.022	1/1
19	1326	461	16	1	RTV_3S.002	1/1
20	167	461	16	1	RTV_3S.009	1/1
21	167	461	16	1	RTV_3S.010	1/1
22	167	461	16	1	RTV_3S.011	1/1
23	167	461	16	1	RTV_3S.012	1/1



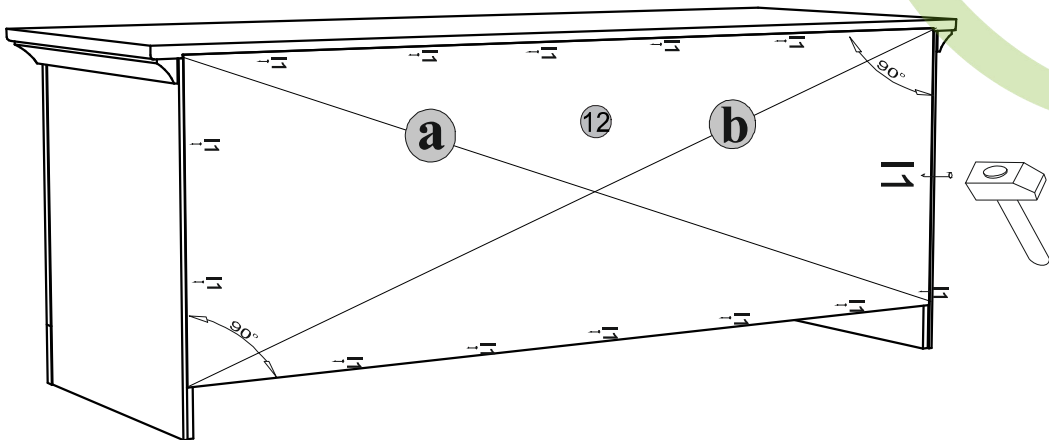
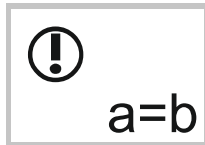
**1****3****2****4**

**5****7****6****8**

# 9



# 10



# 11

