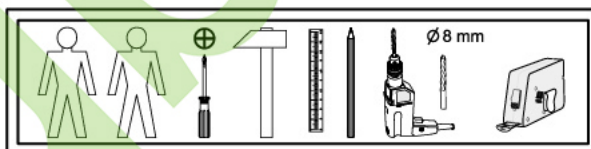
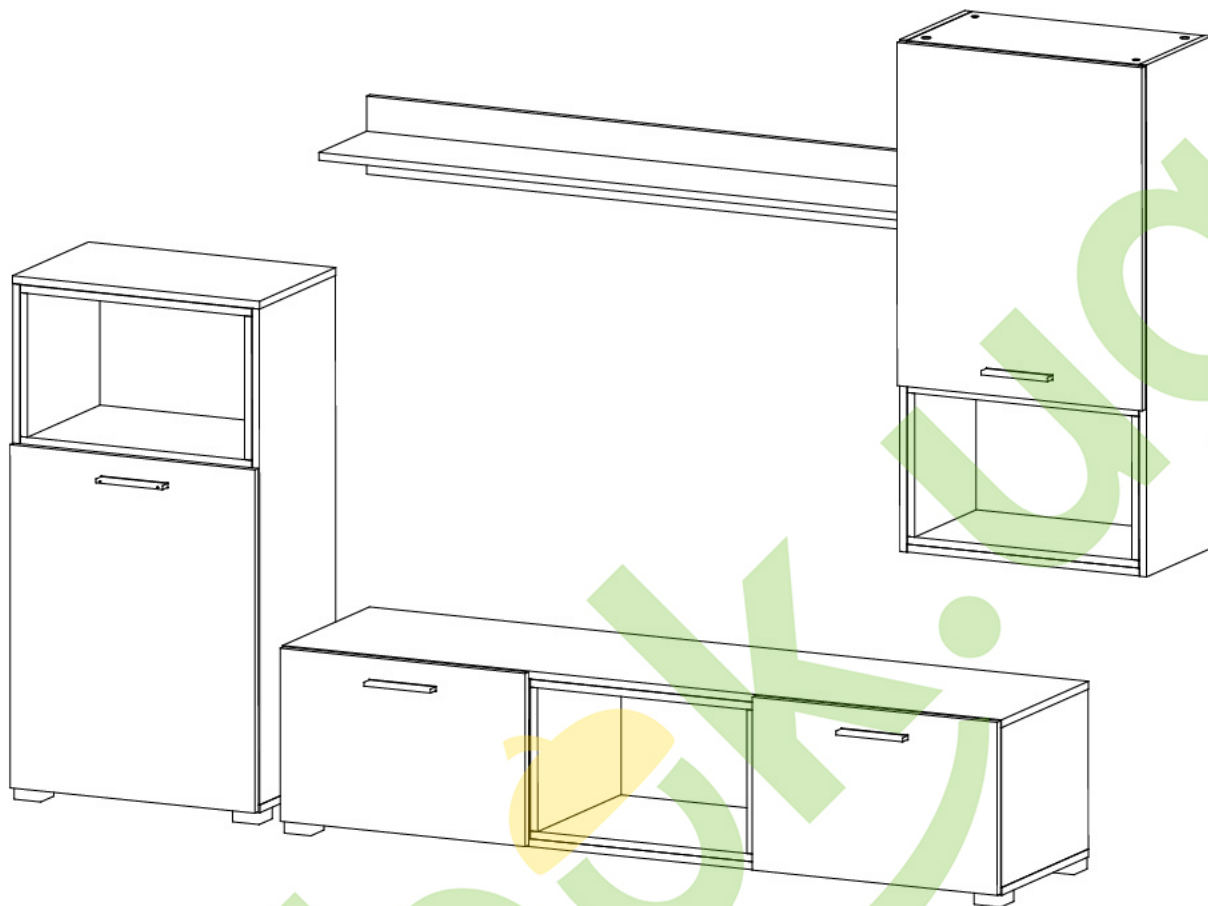
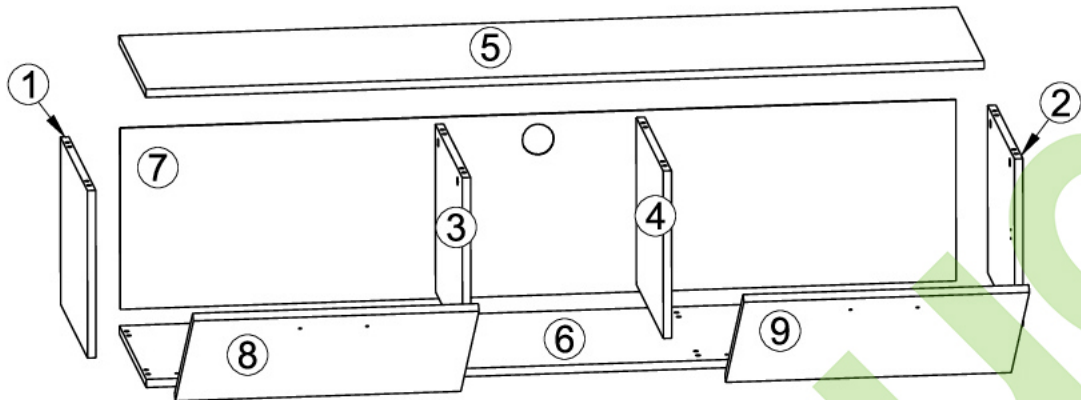


Колібри / Колибри

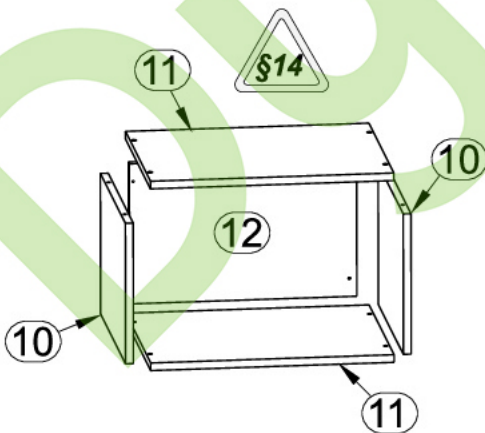


| | | | | | | |
|--------------------------------|--------------------------|-----------------------------|--|------------------------------|--------------------------|----------------------------|
| 8x a44 | 8x b19 | 8x φ 5x16 mm d1 | 14x φ7x50 mm e1 | 2x φ6.3x13 mm e2 | 4x φ5x11 mm e4 | 40x φ8x30 mm f1 |
| 10x k55 | 80x l1 | 2x L-230 m48 | 1x n26\1 | 28x φ16 s2 | 2x g2 | 8x φ3,5x13 mm p1 |
| 20x φ4x35 mm p6 | 8x φ4x30 mm p9 | 1x φ3,5x16 mm p38 | 4x φ4x30 mm p21 | 16x φ3.5x15 mm p51 | 2x n10 | 2x n122\1 |
| 32x φ15x12 mm #16 r1 | 32x 20/9 r16 | 1x z1 | 4x L-148mm 128 mm c253 ³ | | | 36x φ7x50 mm e1 |
| | | | | | | |

Тумба РТВ

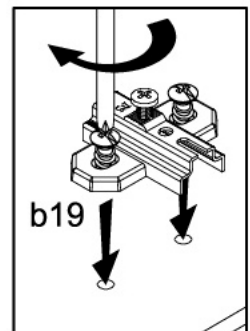
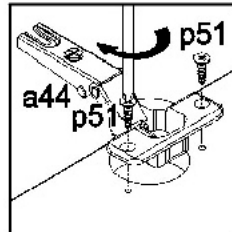
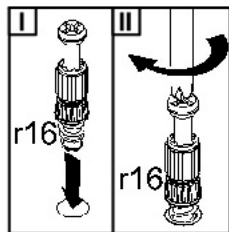
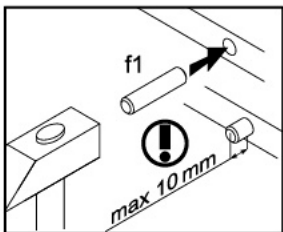
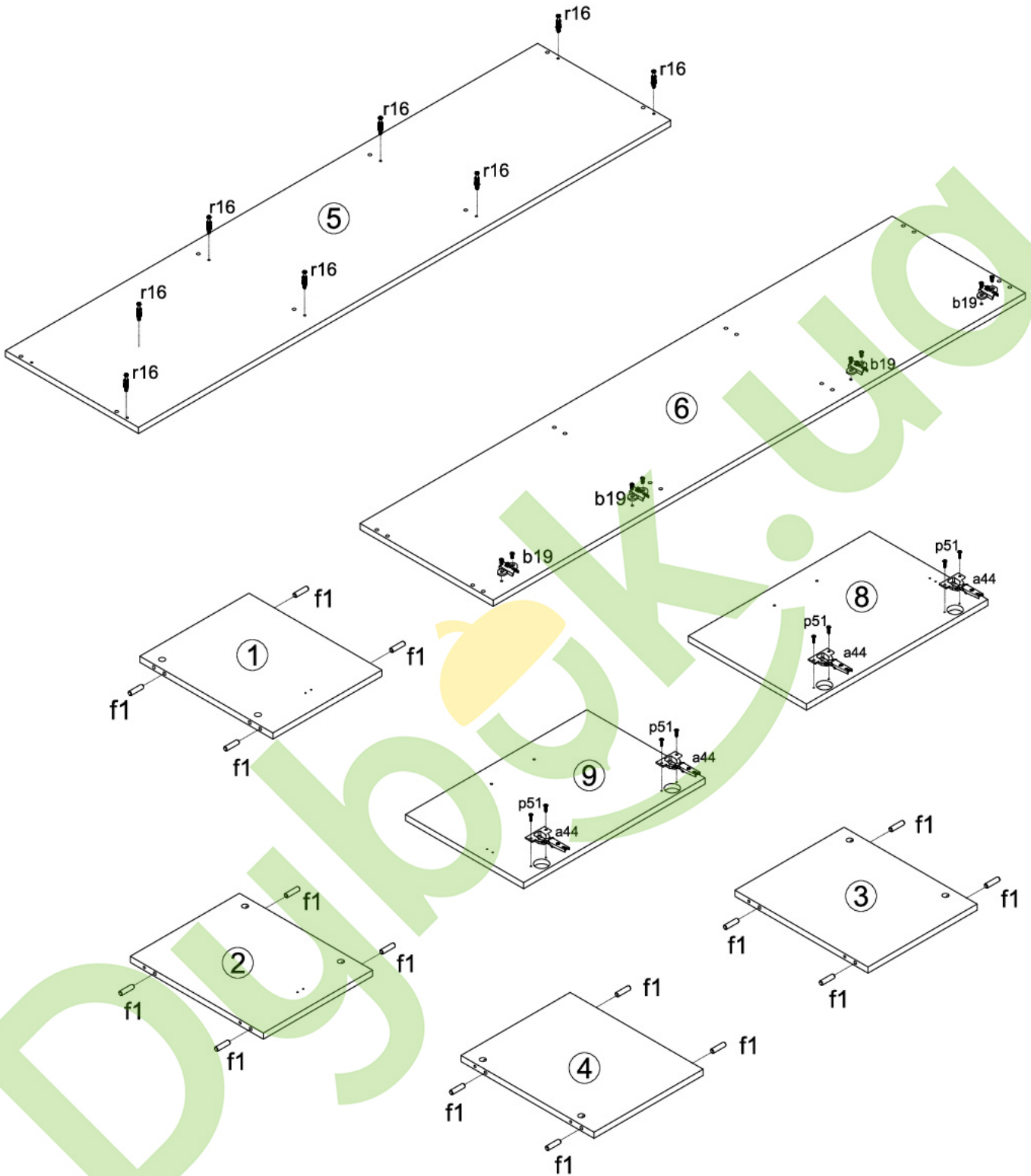


| A | B | C | | D |
|---|---------|------|-----|-----|
| 1 | KO1-101 | 290 | 400 | 2/3 |
| 2 | KO1-102 | 290 | 400 | 2/3 |
| 3 | KO1-103 | 290 | 400 | 2/3 |
| 4 | KO1-104 | 290 | 400 | 2/3 |
| 5 | KO1-201 | 1600 | 400 | 2/3 |
| 6 | KO1-202 | 1600 | 400 | 2/3 |
| 7 | KO1-901 | 1595 | 317 | 2/3 |
| 8 | KO1-001 | 537 | 317 | 3/3 |
| 9 | KO1-001 | 537 | 317 | 3/3 |

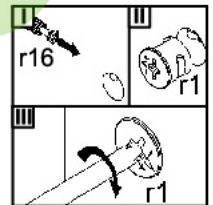
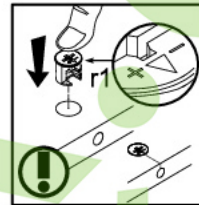
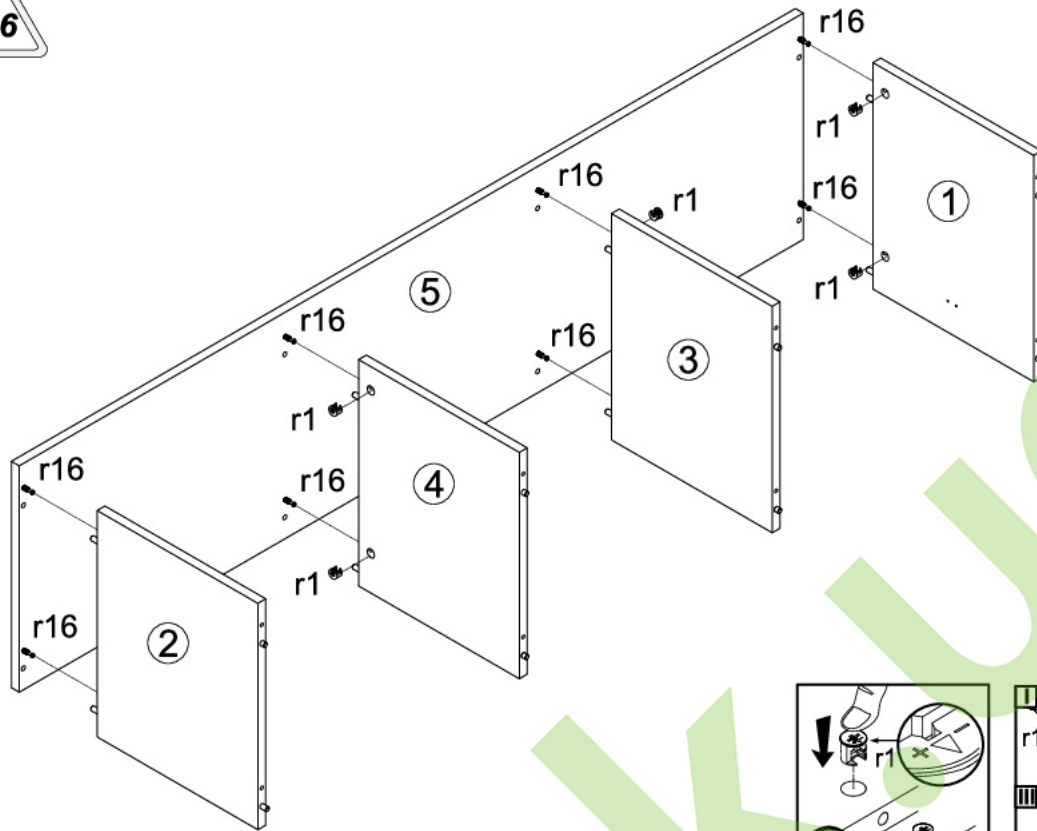


| A | B | C | | D |
|----|---------|-----|-----|-----|
| 10 | KO1-108 | 281 | 256 | 1/1 |
| 11 | KO1-205 | 515 | 298 | 1/1 |
| 3 | KO1-402 | 515 | 255 | 1/1 |

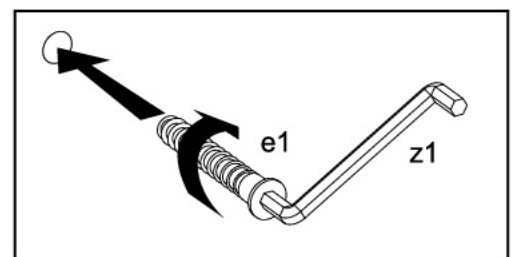
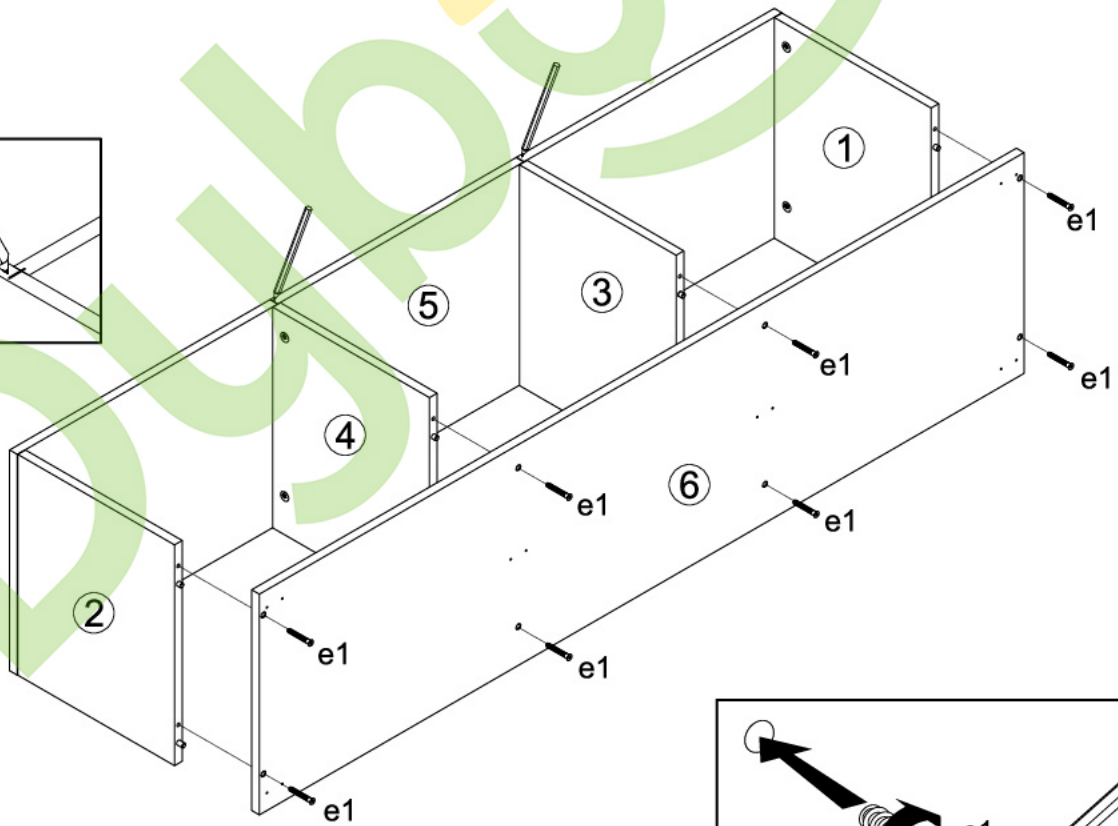
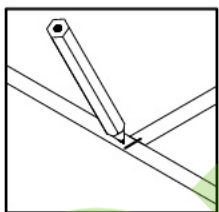
1 



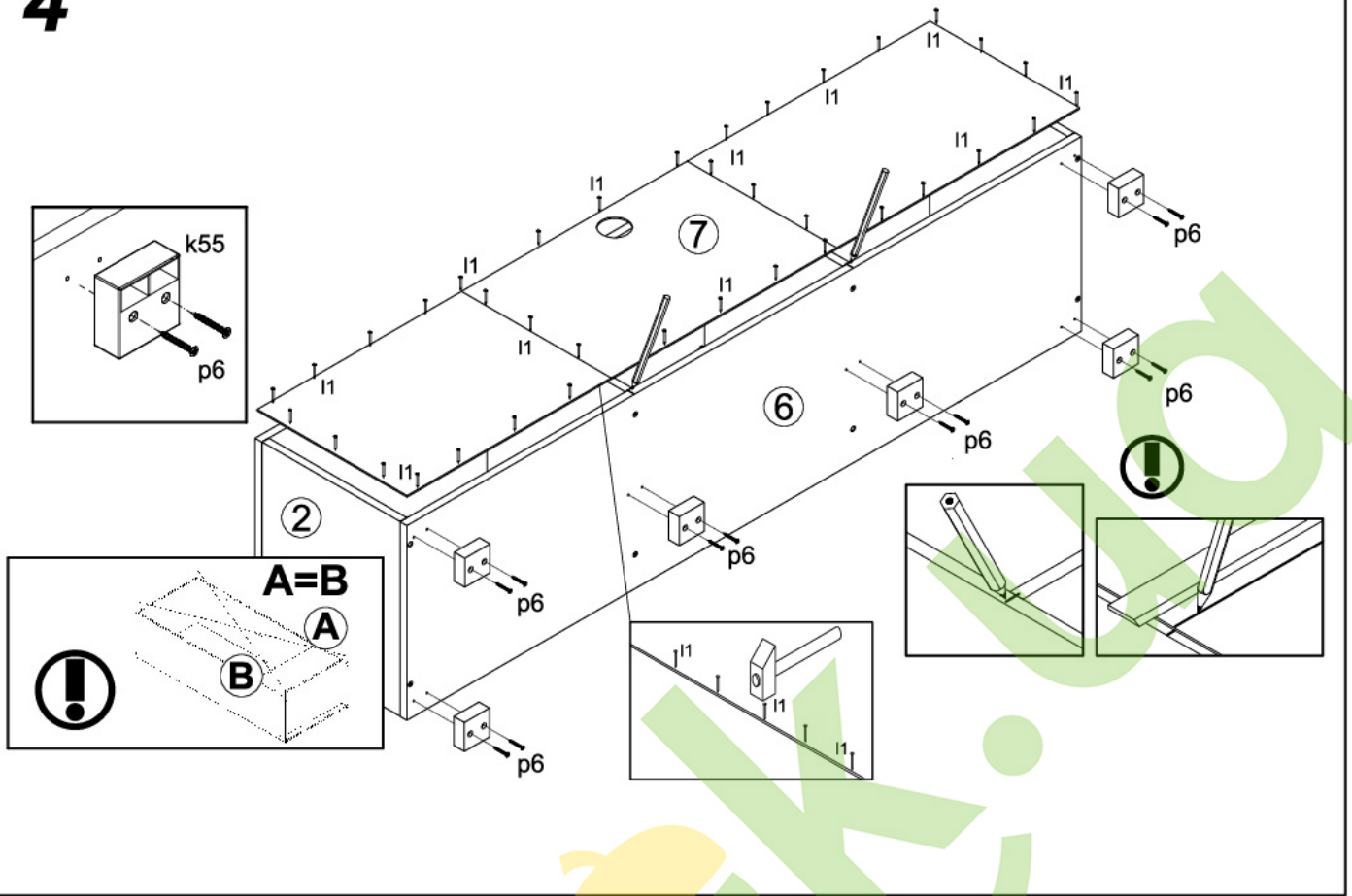
2



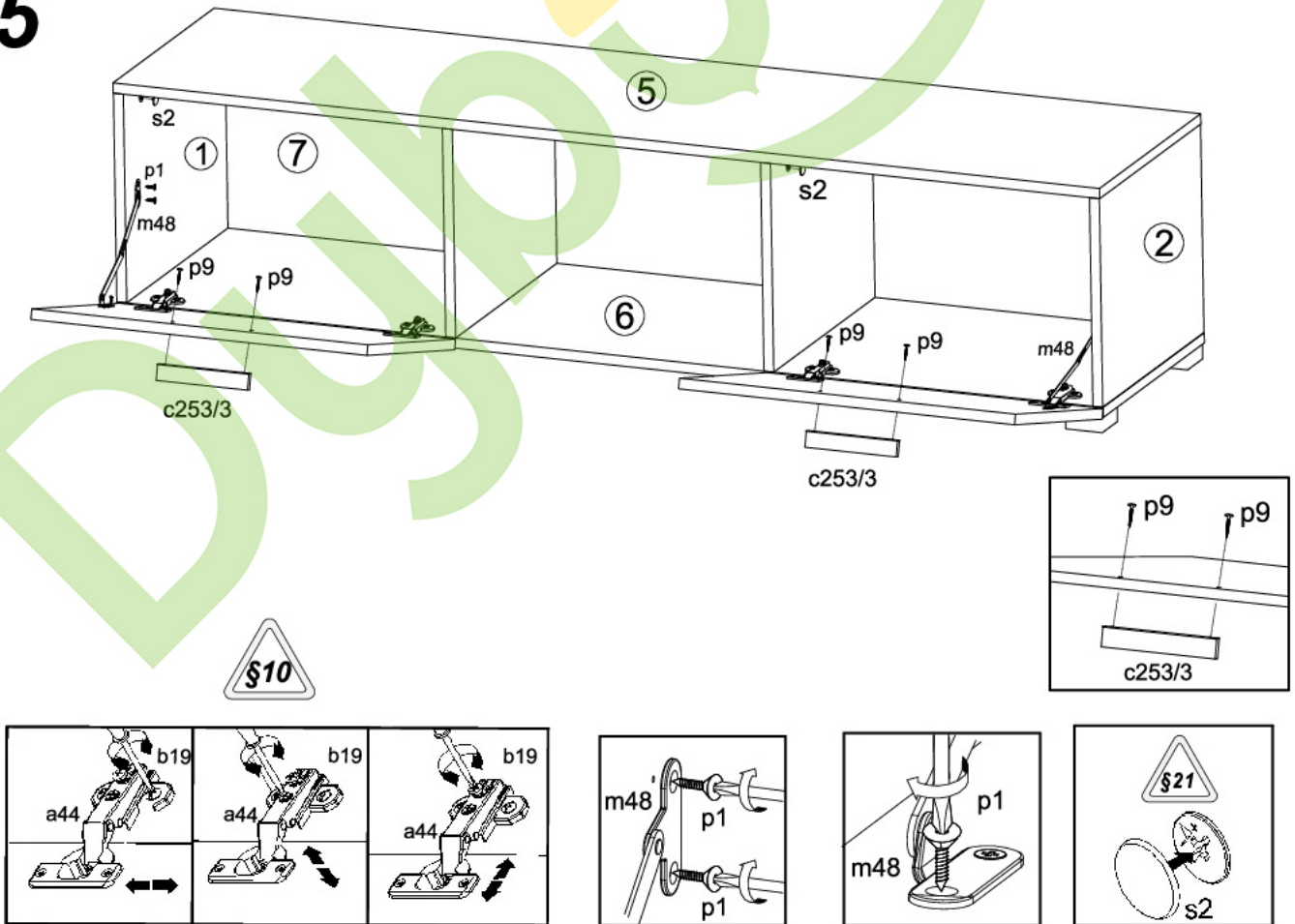
3



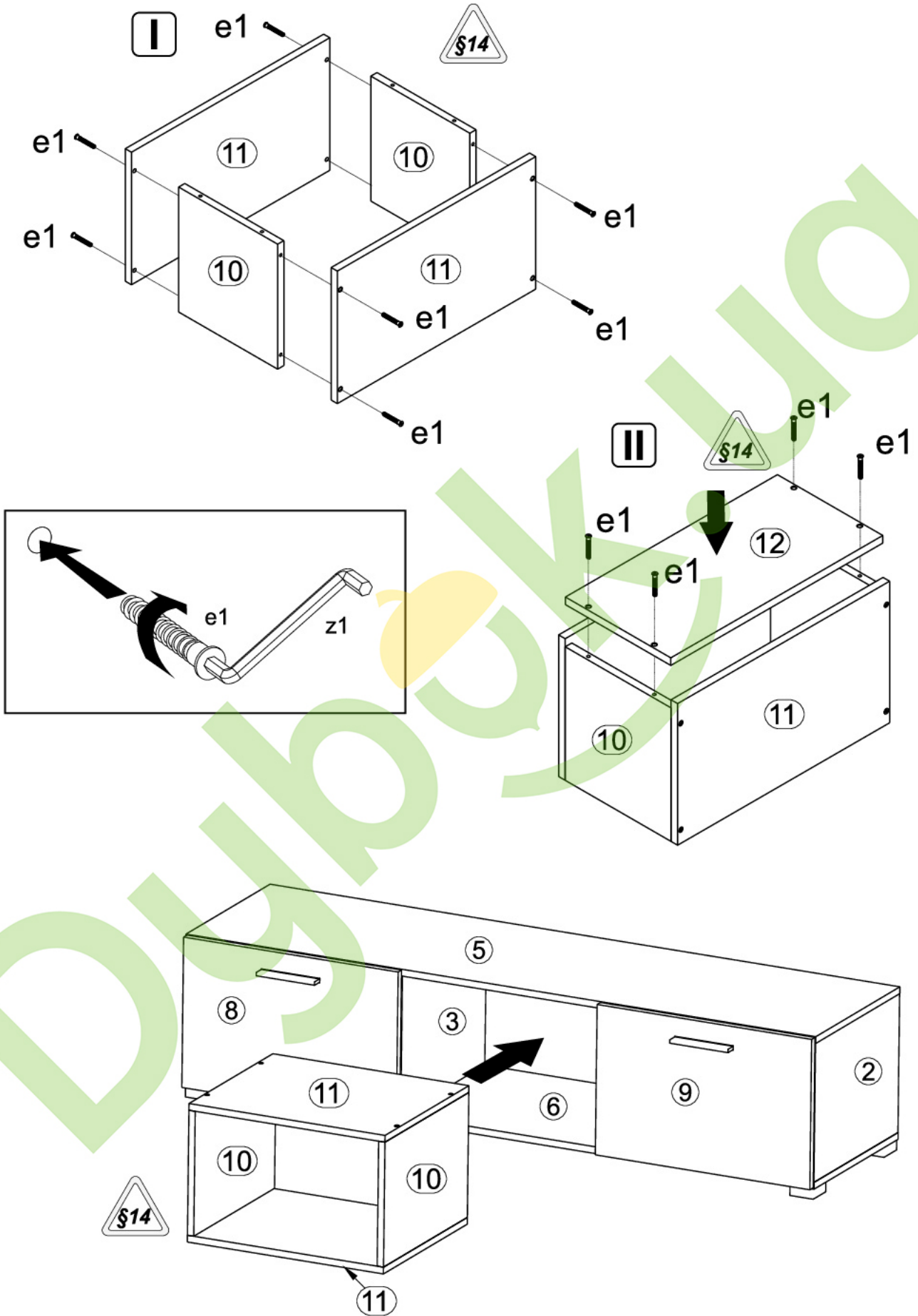
4



5



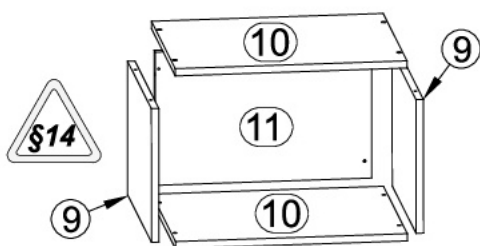
6



Пенал навісний / Пенал навесной

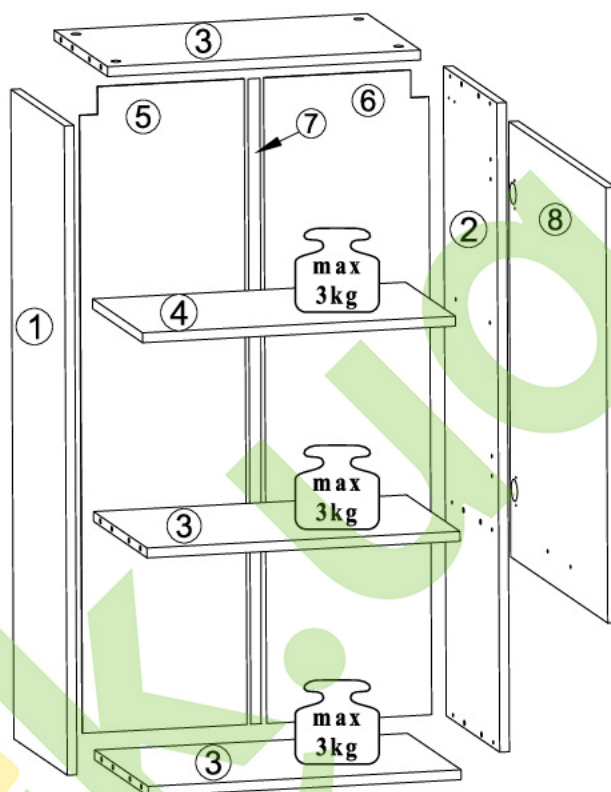
§1

| A | B | C | | D |
|---|---------|------|-----|-----|
| 1 | KO1-106 | 1012 | 300 | 1/3 |
| 2 | KO1-107 | 1012 | 300 | 1/3 |
| 3 | KO1-302 | 517 | 300 | 1/3 |
| 4 | KO1-303 | 517 | 280 | 1/3 |
| 5 | KO1-904 | 1006 | 272 | 1/3 |
| 6 | KO1-902 | 1006 | 272 | 1/3 |
| 7 | LH-978 | 978 | 14 | 1/3 |
| 8 | KO1-003 | 701 | 545 | 3/3 |

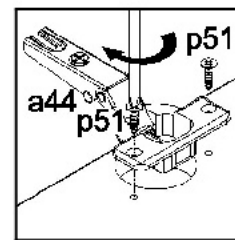
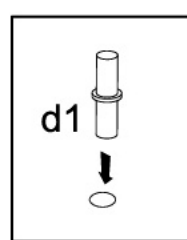
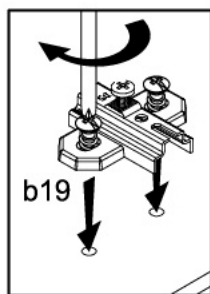
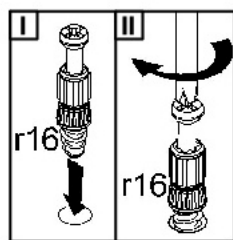
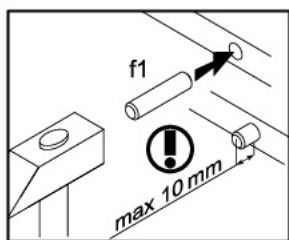
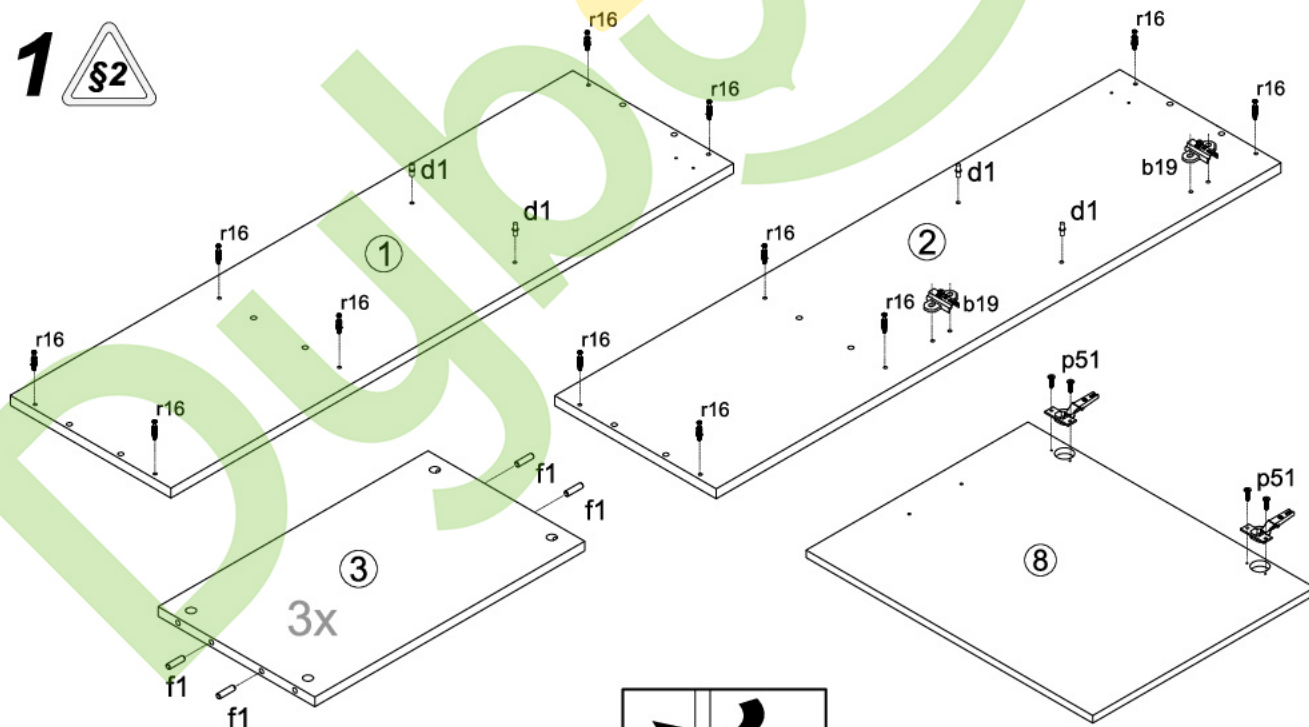


§14

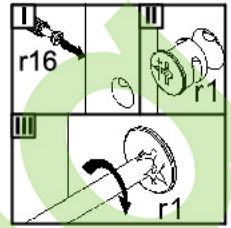
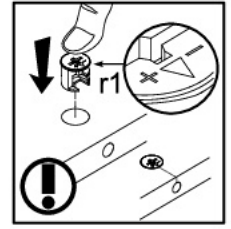
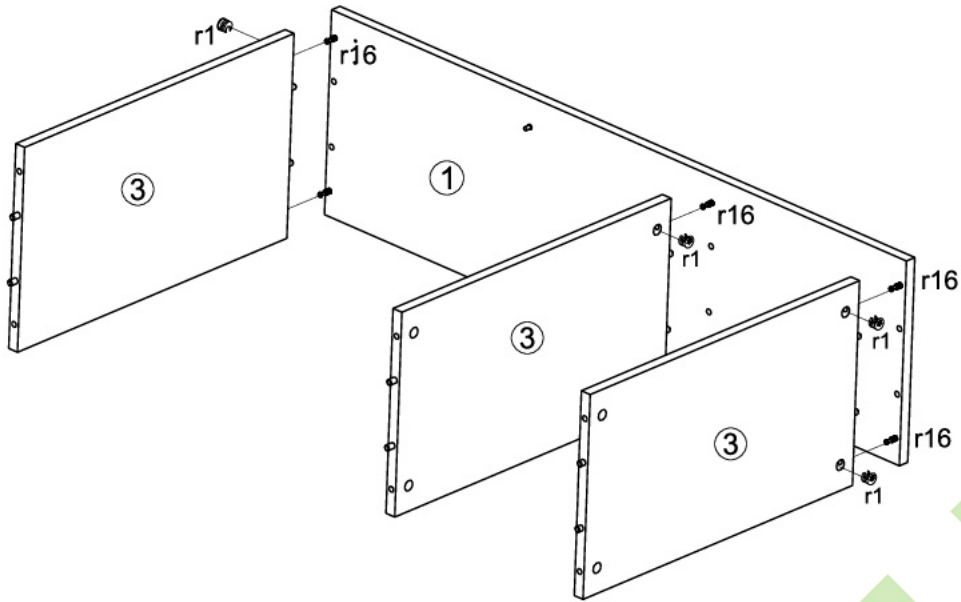
| A | B | C | | D |
|----|---------|-----|-----|-----|
| 9 | KO1-108 | 281 | 256 | 1/1 |
| 10 | KO1-205 | 515 | 298 | 1/1 |
| 11 | KO1-402 | 515 | 255 | 1/1 |



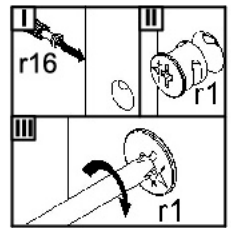
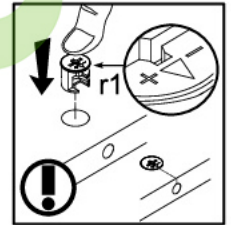
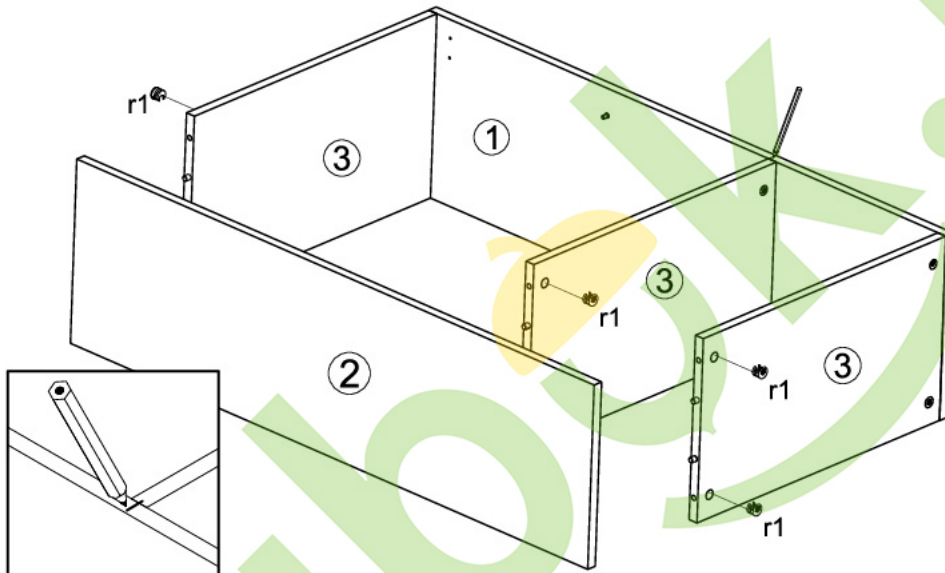
1 §2



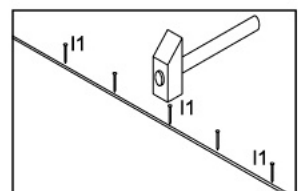
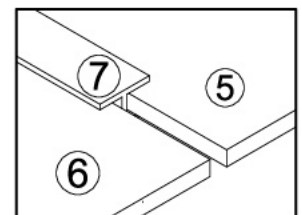
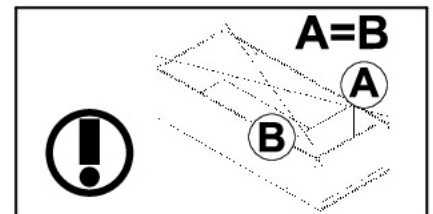
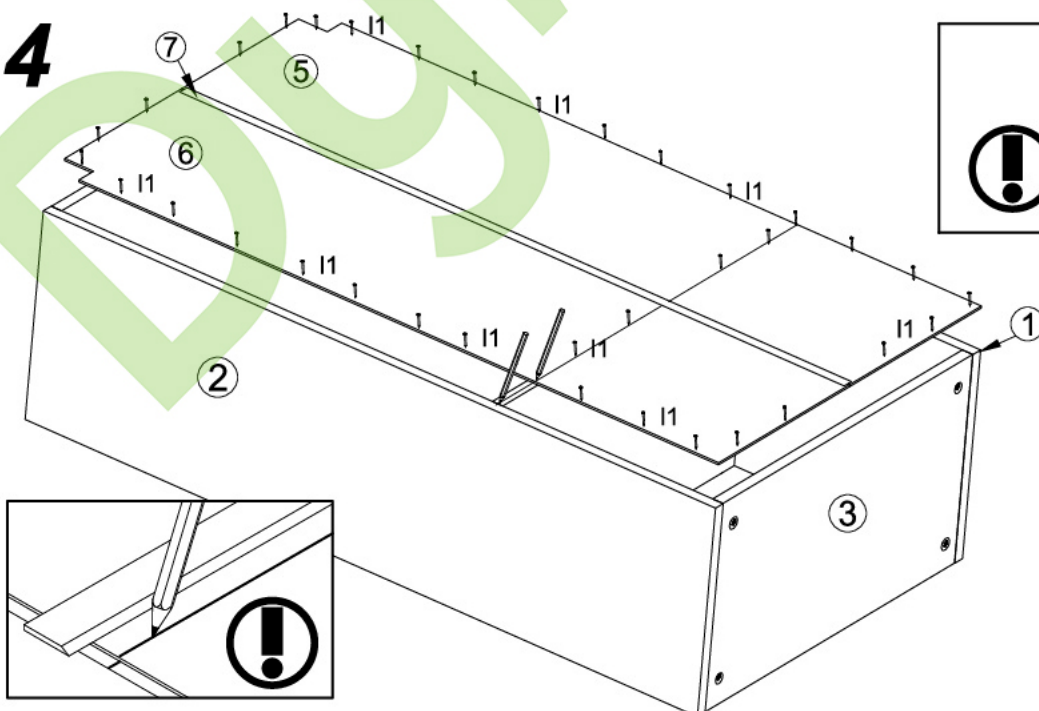
2



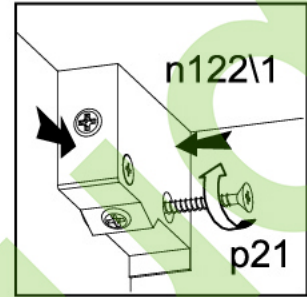
3



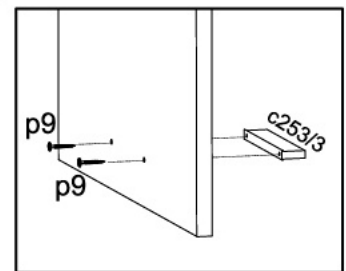
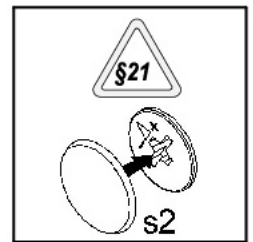
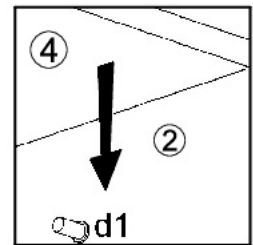
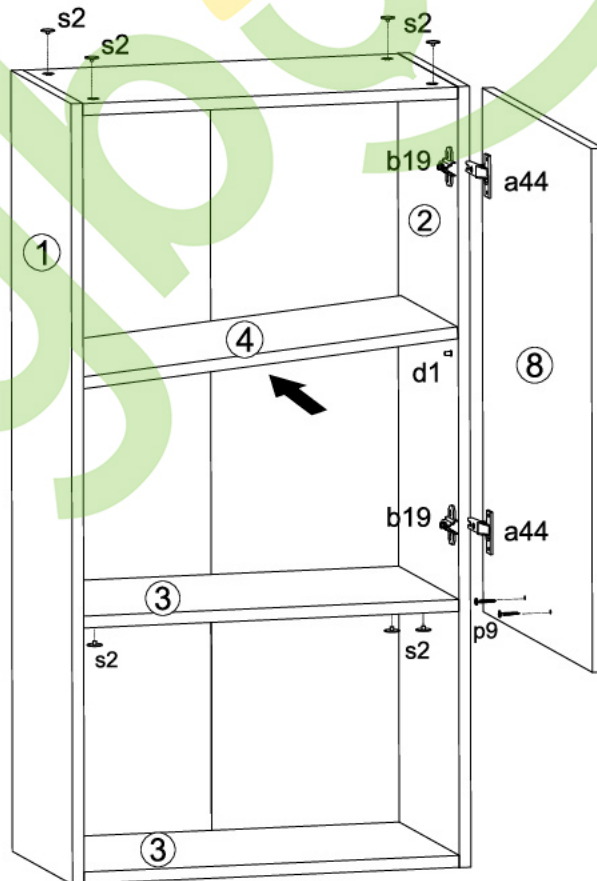
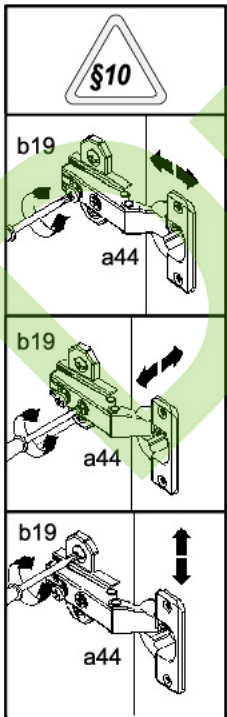
4



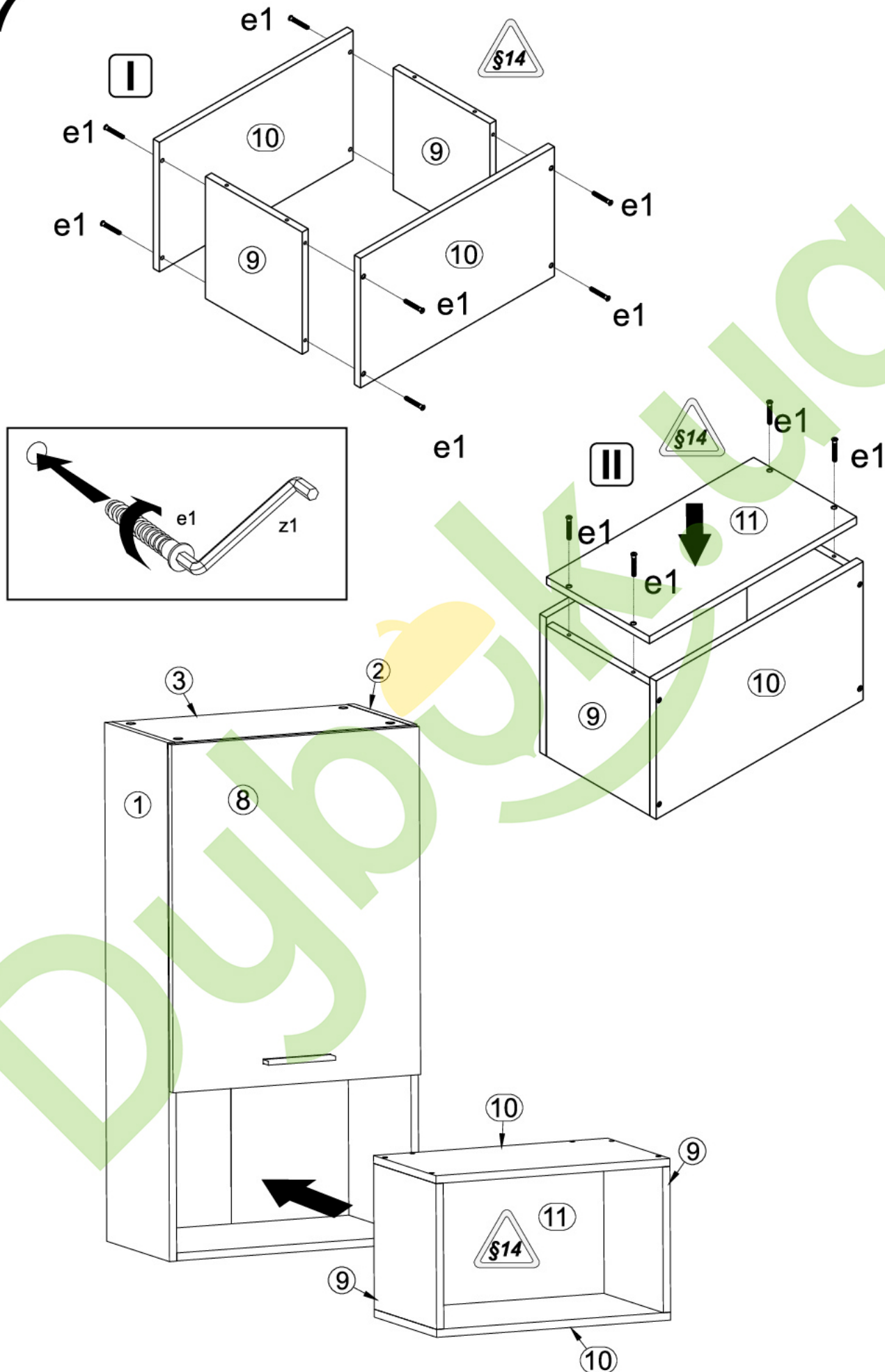
5



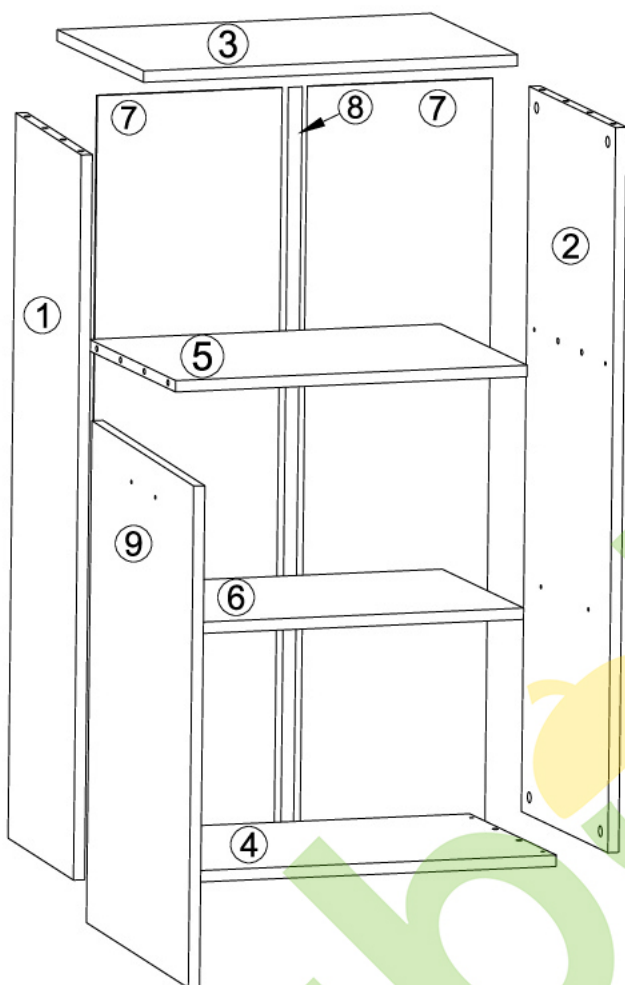
6



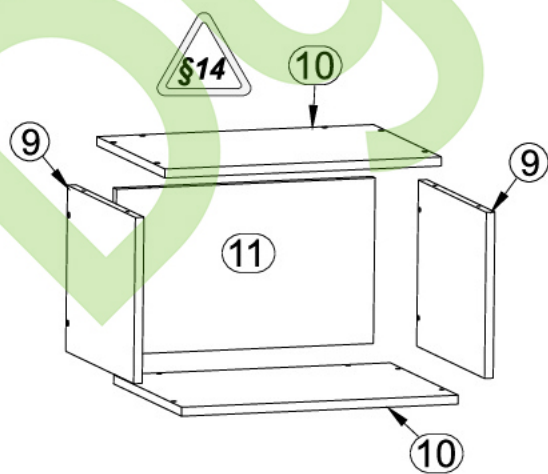
7



Пенал

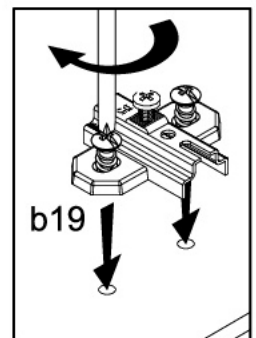
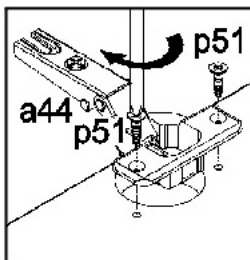
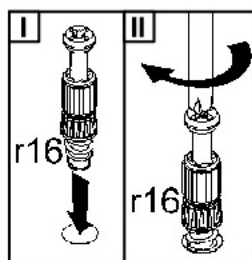
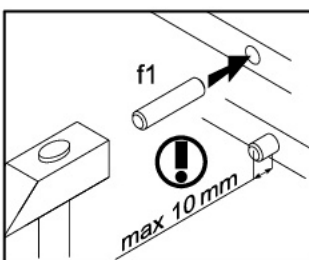
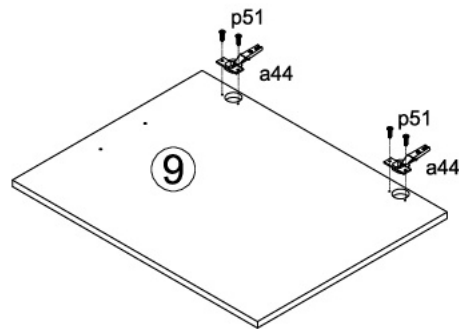
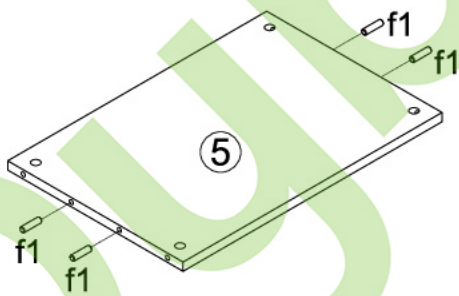
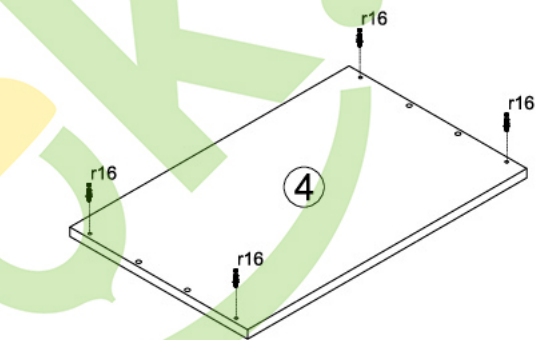
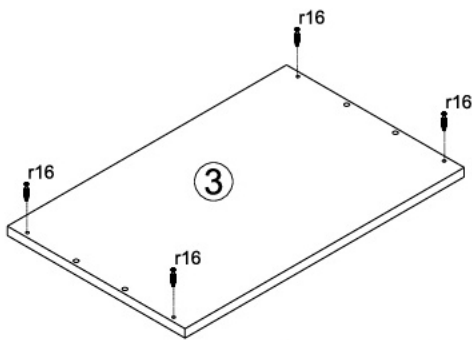
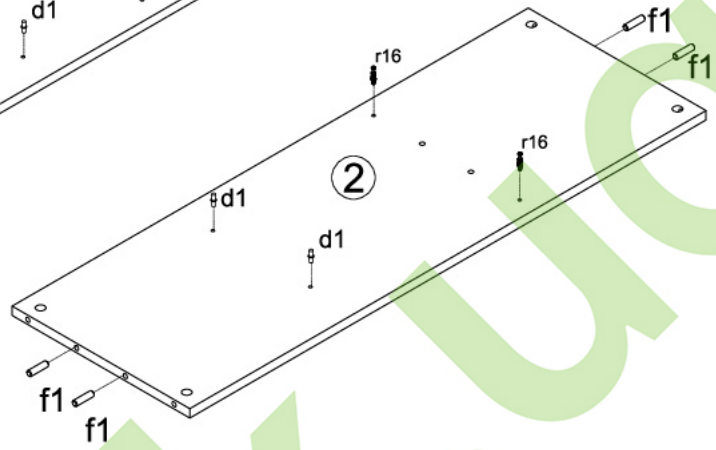
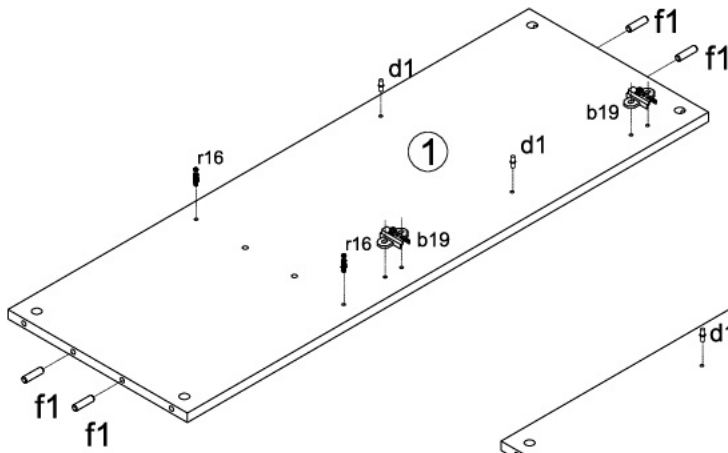


| A | B | C | | D |
|---|---------|------|-----|-----|
| 1 | KO1-109 | 979 | 350 | 1/3 |
| 2 | KO1-110 | 979 | 350 | 1/3 |
| 3 | KO1-204 | 550 | 350 | 1/3 |
| 4 | KO1-206 | 550 | 350 | 1/3 |
| 5 | KO1-304 | 517 | 350 | 1/3 |
| 6 | KO1-305 | 517 | 330 | 1/3 |
| 7 | KO1-903 | 1006 | 272 | 1/3 |
| 8 | LH-978 | 978 | 14 | 1/3 |

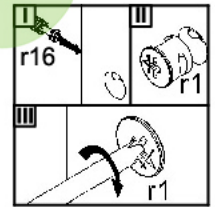
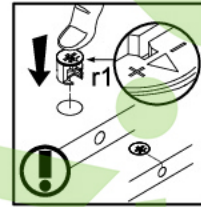
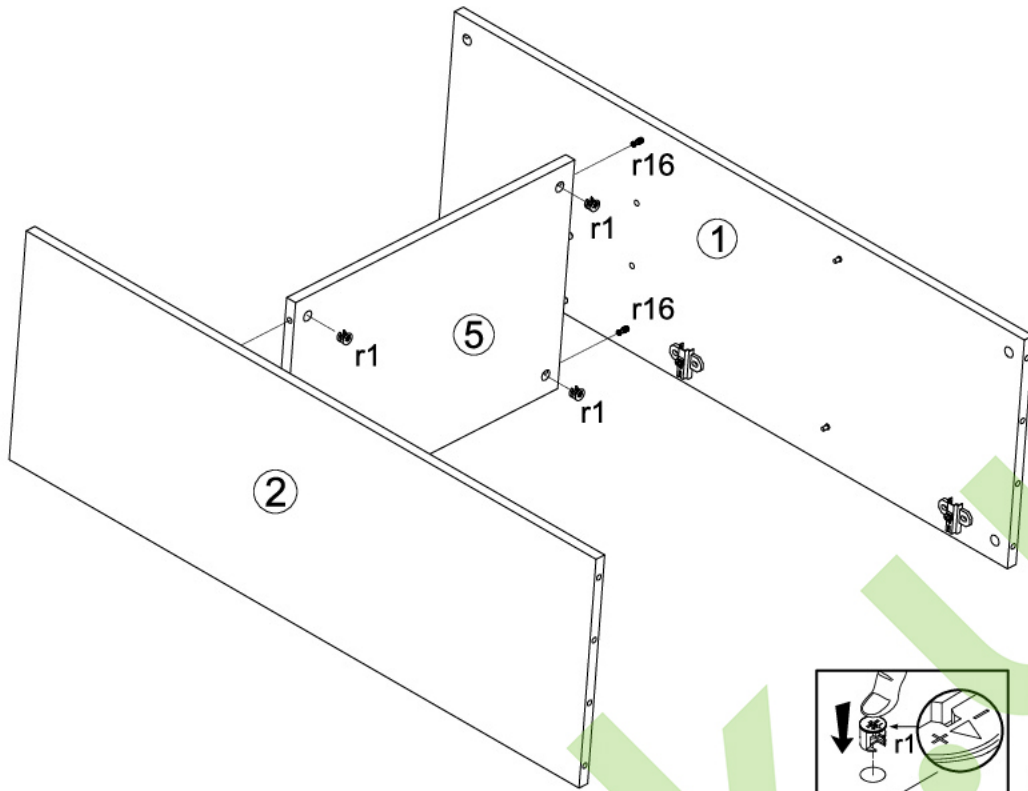


| A | B | C | | D |
|----|---------|-----|-----|-----|
| 9 | KO1-108 | 281 | 256 | 1/1 |
| 10 | KO1-205 | 515 | 298 | 1/1 |
| 11 | KO1-402 | 515 | 255 | 1/1 |

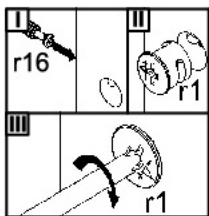
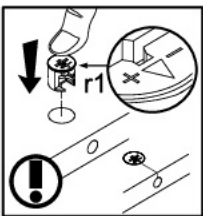
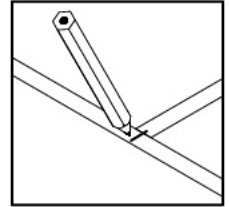
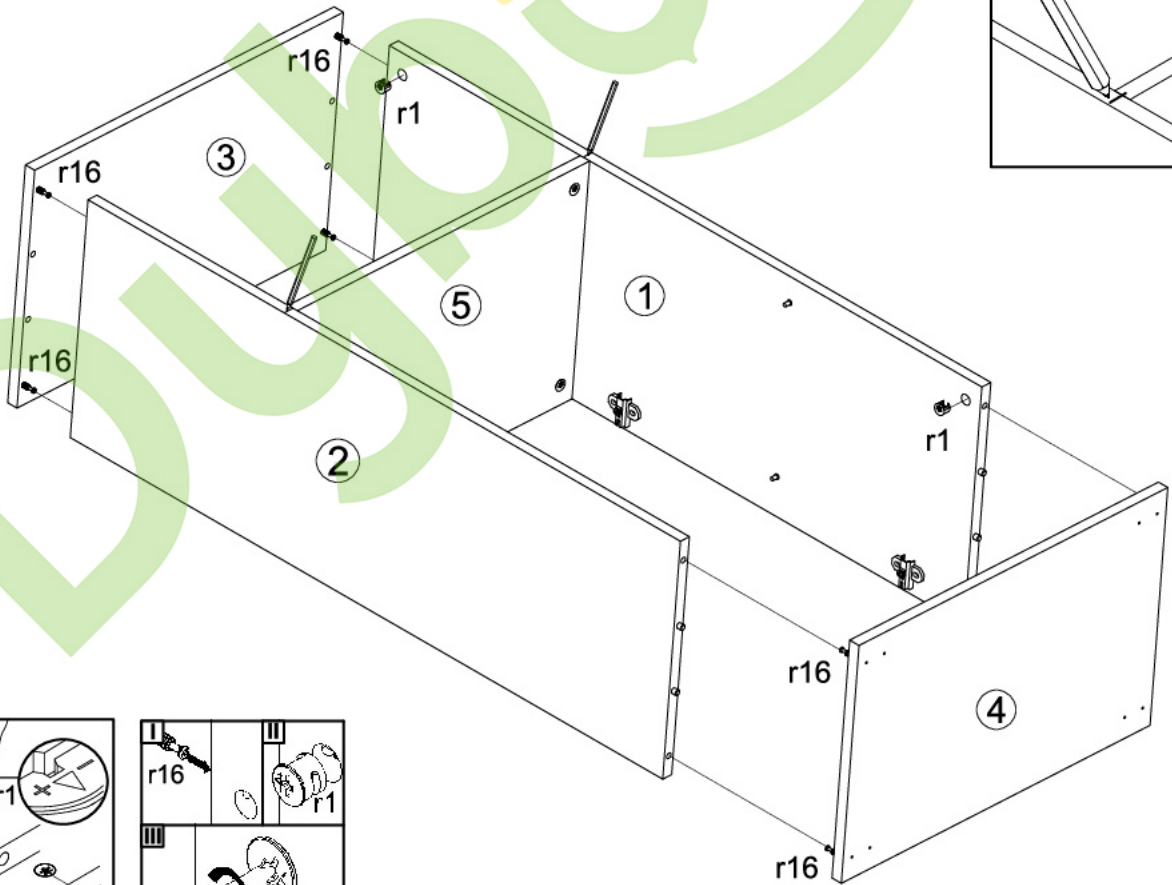
1 



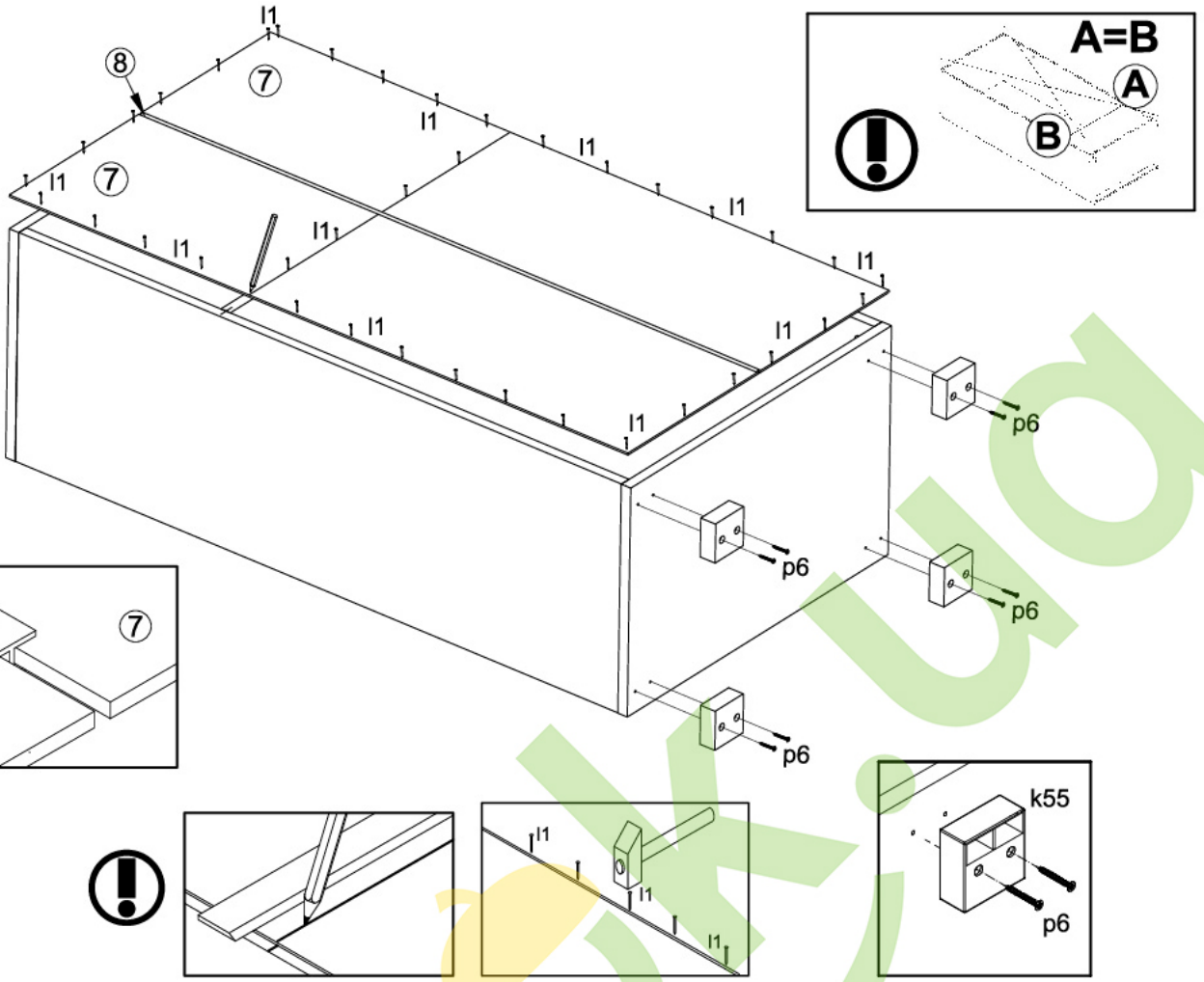
2



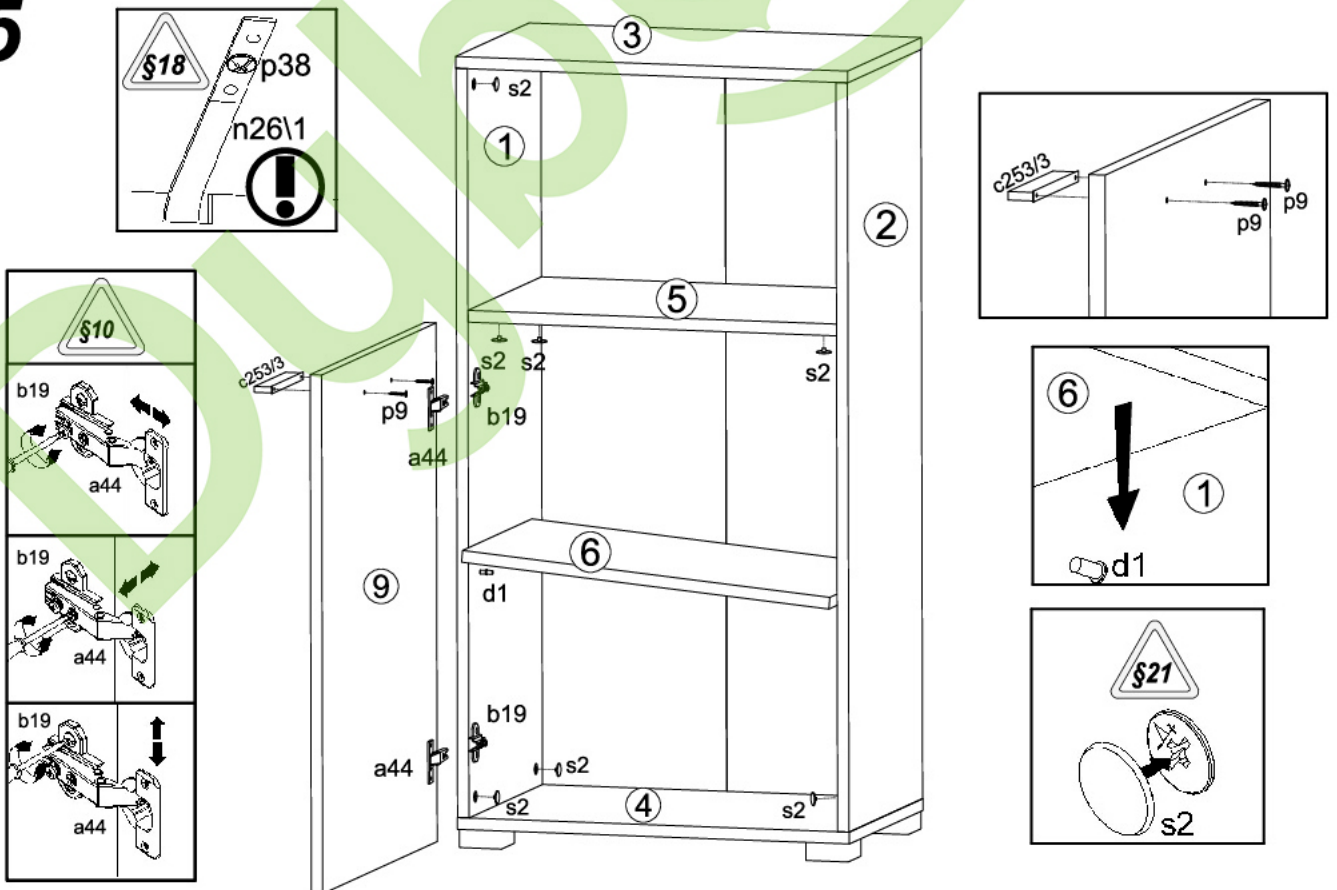
3



4



5



6

