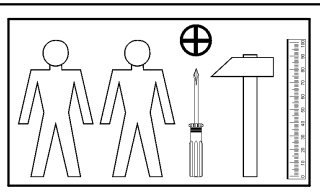
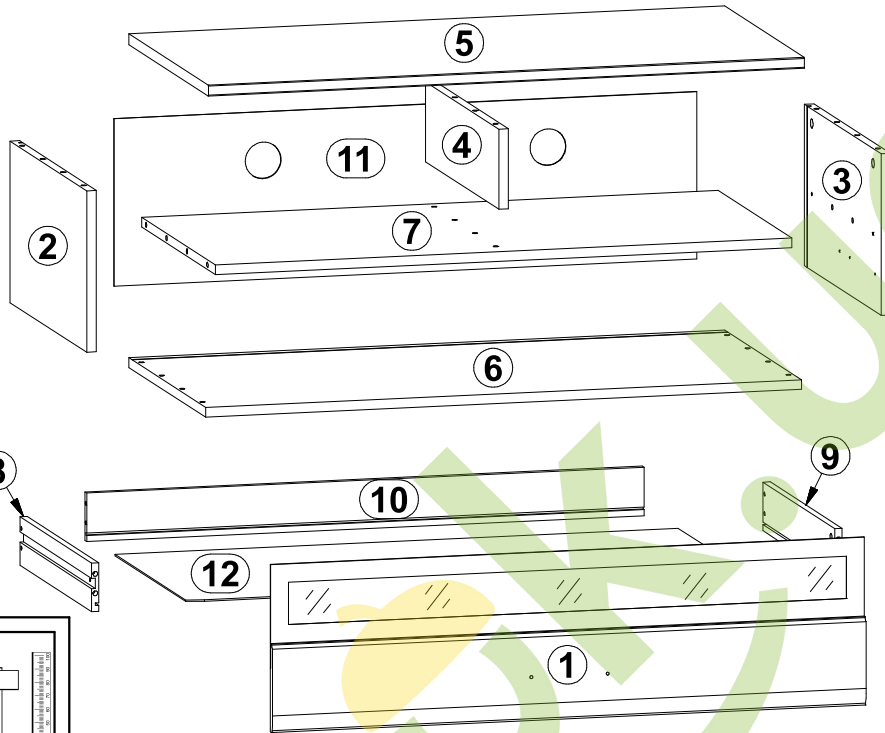
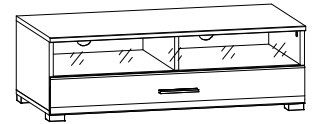


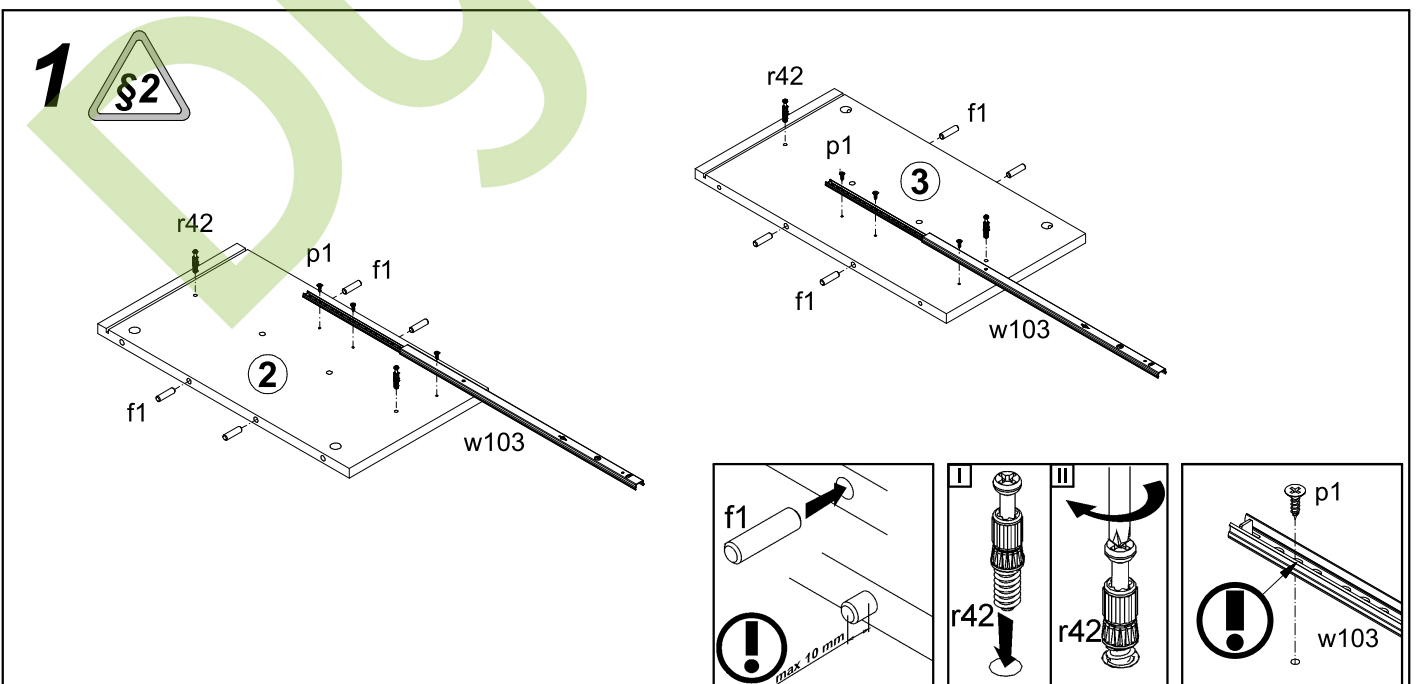
# ВУШЕР

Тумба РТВ\_RTV 1SW

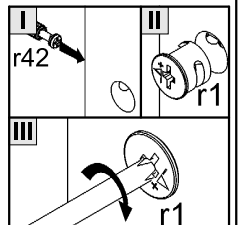
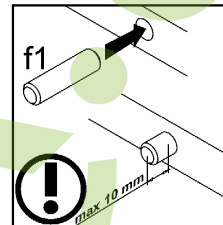
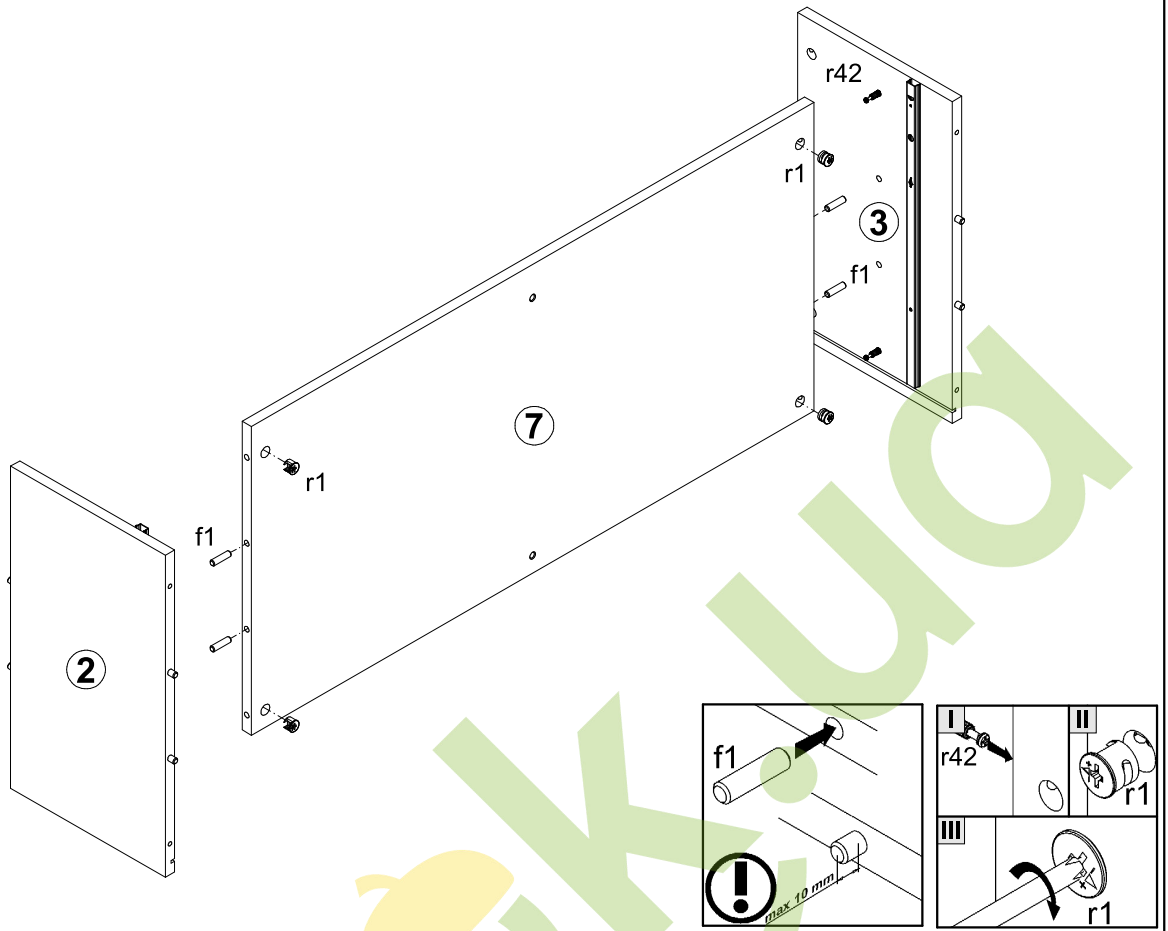
A	B	C	D	A	B	C	D		
1	S154-003	996	276	1/1	8	S154-501	450	80	1/1
2	S154-102	266	480	1/1	9	S154-502	450	80	1/1
3	S154-103	266	480	1/1	10	S154-503	927	80	1/1
4	S154-104	132	460	1/1	11	S154-902	978	276	1/1
5	S154-202	1000	498	1/1	12	S154-903	942	448	1/1
6	S154-203	1000	480	1/1					
7	S154-302	967	460	1/1					



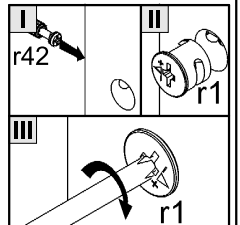
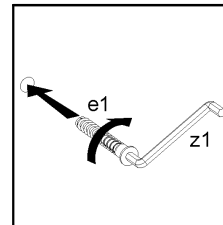
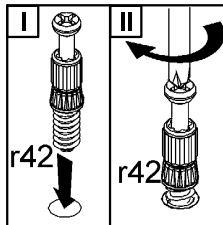
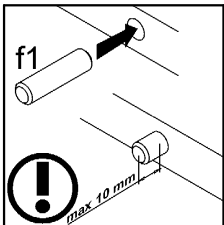
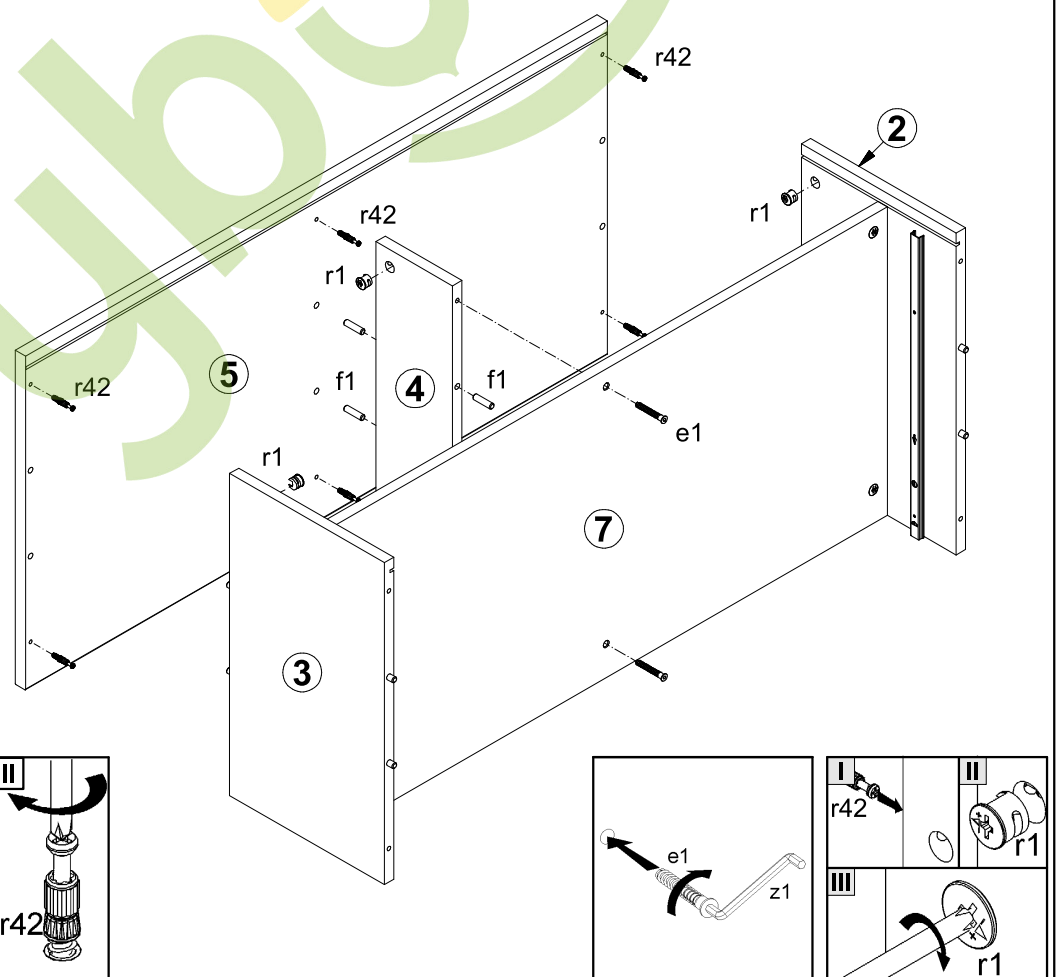
1x  c25313	6x  φ7x50 mm e1	16x  φ8x30 mm f1	4x  φ5x50 mm e32	2x  M4x12 mm j3	4x  k55	8x  l2	6x  φ3,5x13 mm p1	2x  φ3,5x16 mm p25
8x  φ4x35 mm p6	2x  φ4x30 mm p9	10x  φ1,5x12mm #16 r1	4x  φ12x10,5mm #12 r15	14x  r42	6x  φ16 s2	1x  438 mm t37	2x  450 mm w103	1x  z1



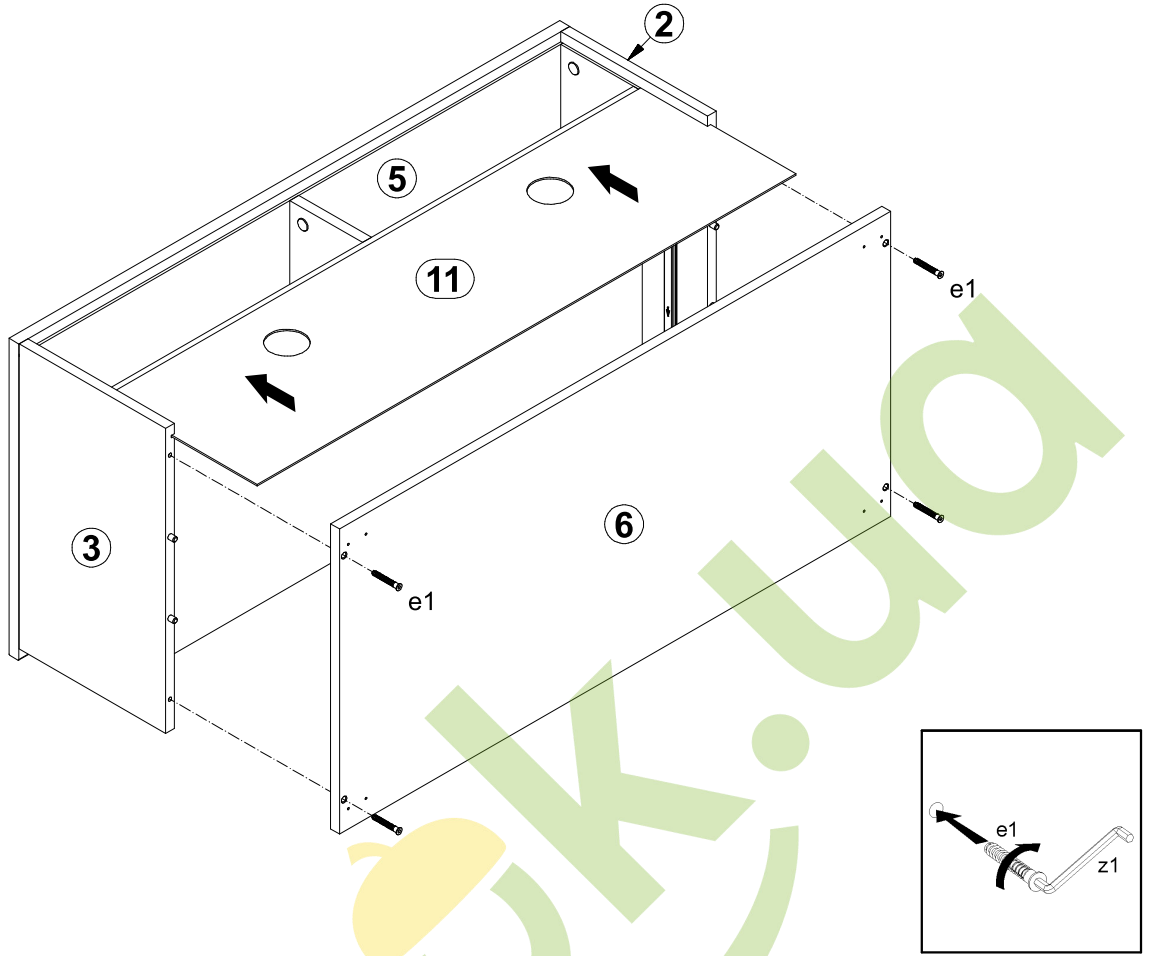
# 2



# 3



# 4



# 5

